



US00D700780S

(12) **United States Design Patent**  
**Currier**

(10) **Patent No.:** **US D700,780 S**  
(45) **Date of Patent:** **\*\* Mar. 11, 2014**

- (54) **DOGGIE ORGANIZER**
- (71) Applicant: **Jason A. Currier**, Portland, ME (US)
- (72) Inventor: **Jason A. Currier**, Portland, ME (US)
- (\*\*) Term: **14 Years**
- (21) Appl. No.: **29/446,093**
- (22) Filed: **Feb. 20, 2013**
- (51) **LOC (10) Cl.** ..... **03-01**
- (52) **U.S. Cl.**  
USPC ..... **D3/304**
- (58) **Field of Classification Search**  
USPC ..... D3/20, 26, 201, 304, 307-315,  
D3/318-319, 321-322, 905; 206/1.7-1.9,  
206/372-373  
See application file for complete search history.

- D624,754 S \* 10/2010 van Wijk et al. .... D3/308
- D628,800 S \* 12/2010 Rees et al. .... D3/304
- D668,448 S \* 10/2012 Douglas ..... D3/232
- D670,500 S \* 11/2012 Sosnovsky ..... D3/304
- D673,772 S \* 1/2013 Munson et al. .... D3/246

\* cited by examiner

*Primary Examiner* — Kelley Donnelly

(57) **CLAIM**  
The ornamental design for a doggie organizer, as shown and described.

**DESCRIPTION**

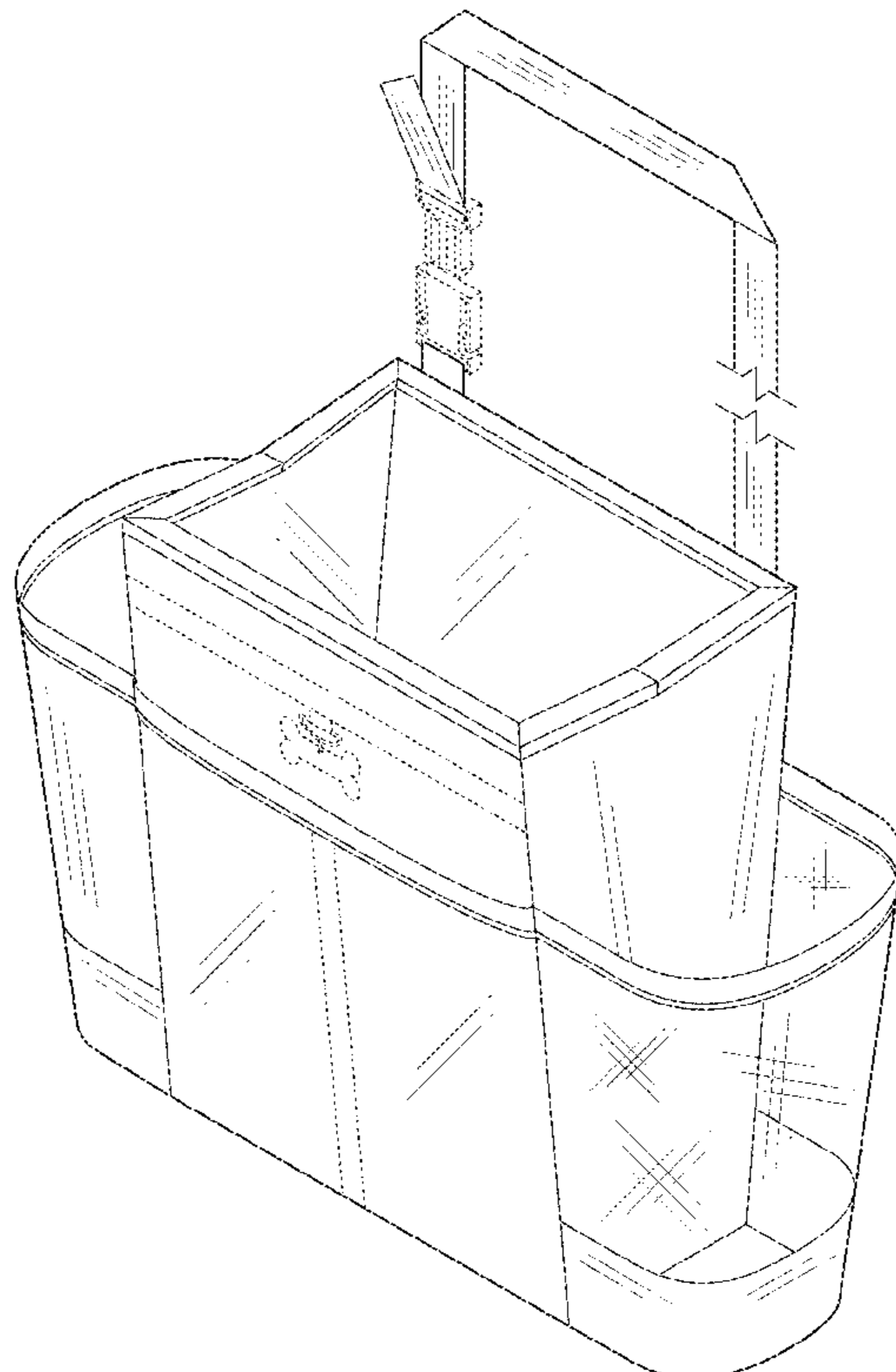
FIG. 1 is a front view of a doggie organizer according to our new design.  
 FIG. 2 is a back view of the doggie organizer as in FIG. 1.  
 FIG. 3 is a left side view of the doggie organizer as in FIGS. 1-2.  
 FIG. 4 is a right side view of the doggie organizer as in FIGS. 1-3.  
 FIG. 5 is a top view of the doggie organizer as in FIGS. 1-4.  
 FIG. 6 is a bottom view of the doggie organizer as in FIGS. 1-5.  
 FIG. 7 is a front view of the doggie organizer shown with the environment thereof; as in FIGS. 1-6; and,  
 FIG. 8 is a perspective view of the doggie organizer as in FIGS. 1-7.  
 The showing of the broken lines illustrates the environment of the article of the doggie organizer and forms no part of the claimed design.

(56) **References Cited**

**U.S. PATENT DOCUMENTS**

- D251,083 S \* 2/1979 Rabinowitz et al. .... D3/289
- D311,452 S \* 10/1990 Ehret ..... D3/286
- D405,268 S \* 2/1999 Apenes ..... D3/309
- 6,571,998 B2 \* 6/2003 Godshaw et al. .... 224/607
- D497,050 S \* 10/2004 Grambush ..... D3/246
- 6,810,933 B2 \* 11/2004 Gordon et al. .... 150/112
- D502,599 S \* 3/2005 Cabana et al. .... D3/292
- D517,806 S \* 3/2006 Charuwongkhachton ..... D3/305
- D598,196 S \* 8/2009 Vreeland ..... D3/304
- D611,706 S \* 3/2010 Angles et al. .... D3/243
- D616,201 S \* 5/2010 Bui ..... D3/305

**1 Claim, 8 Drawing Sheets**



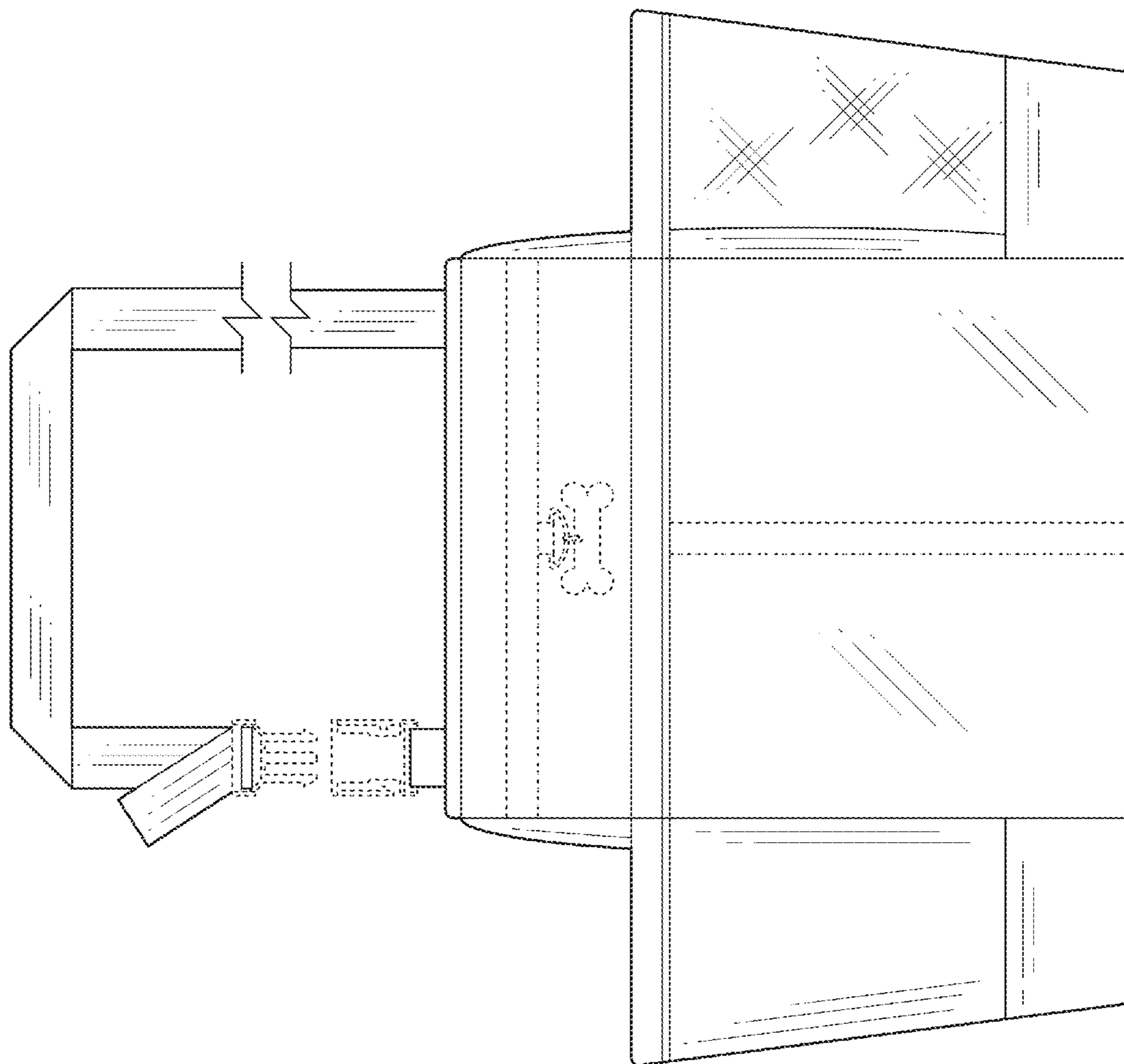


FIG. 1

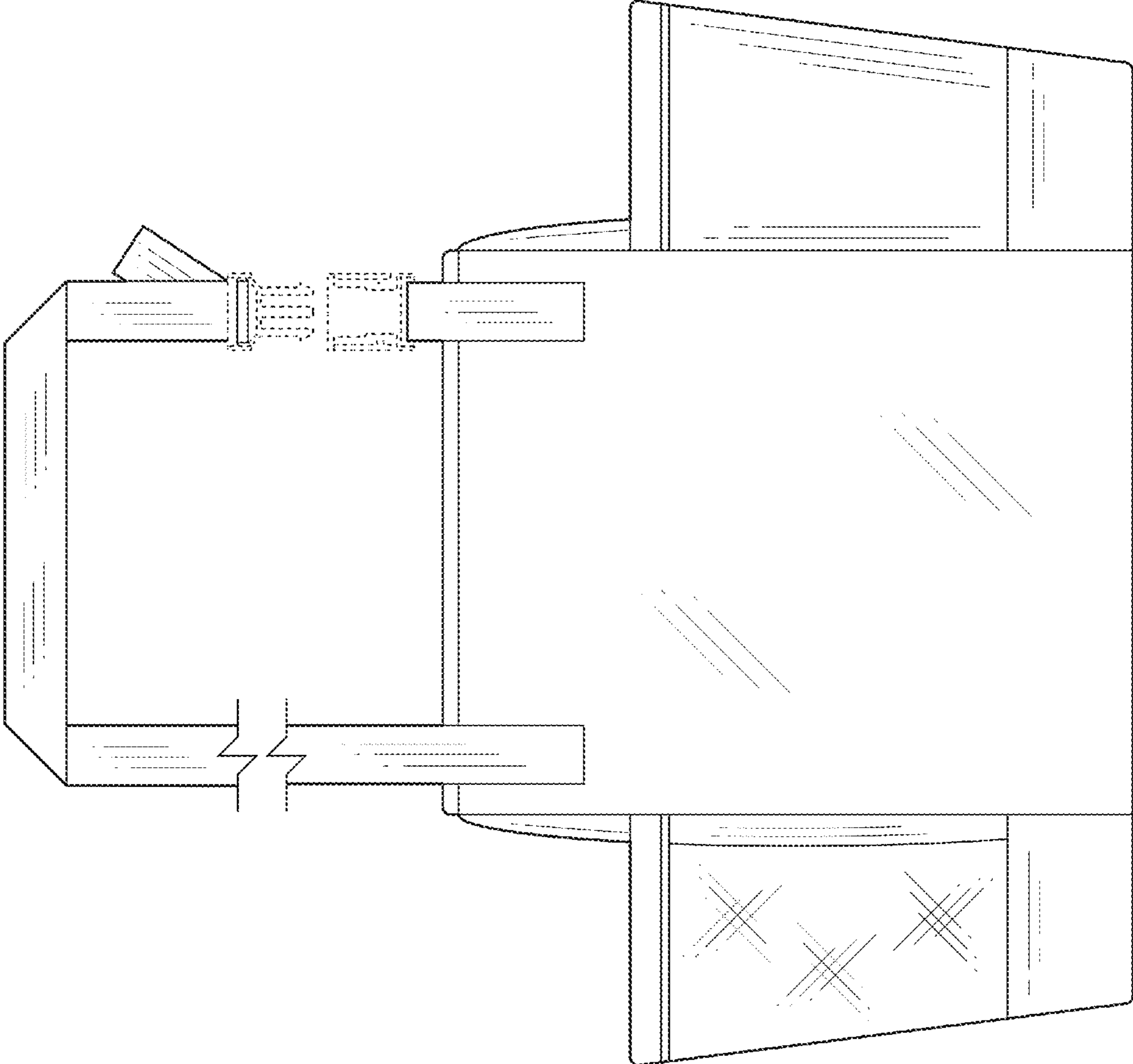


FIG. 2

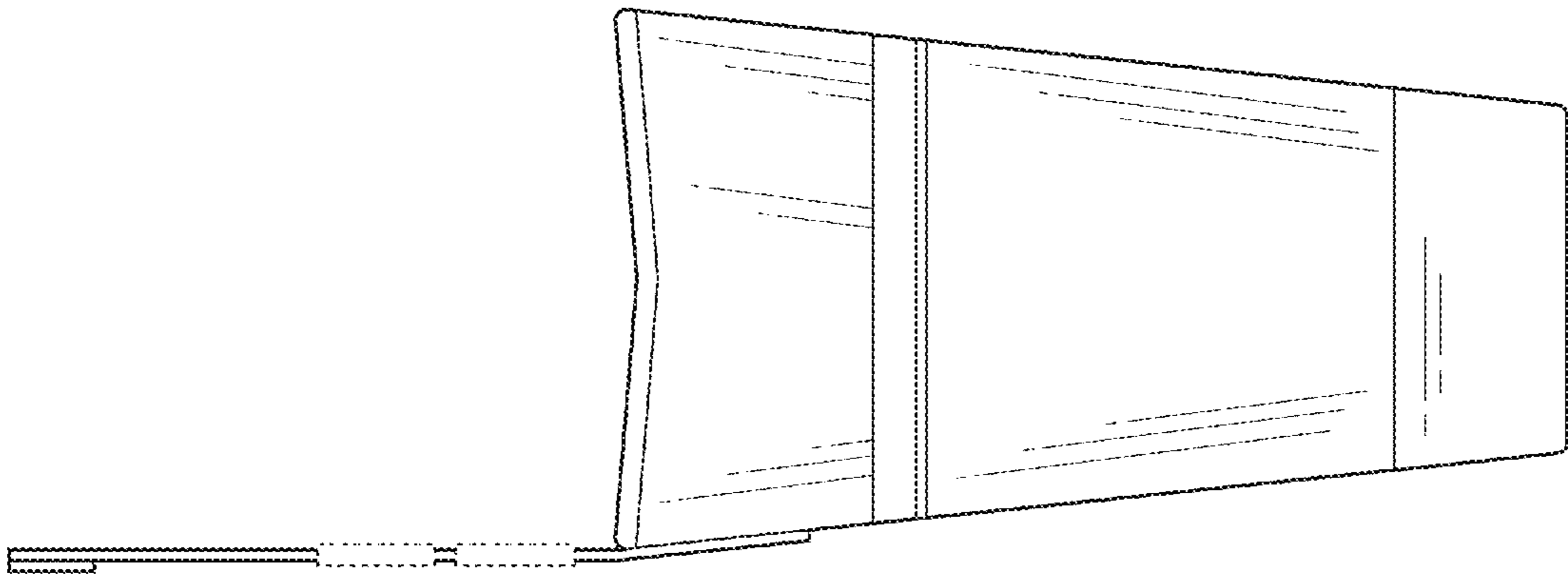


FIG. 3

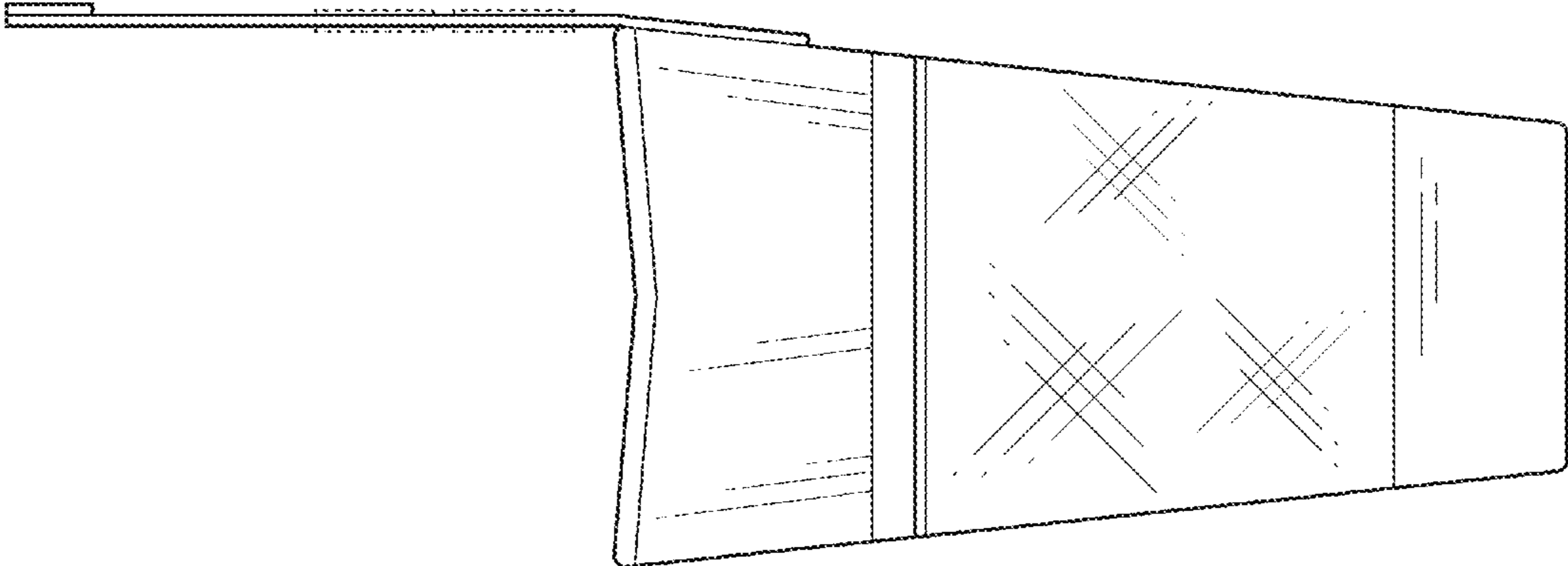


FIG. 4

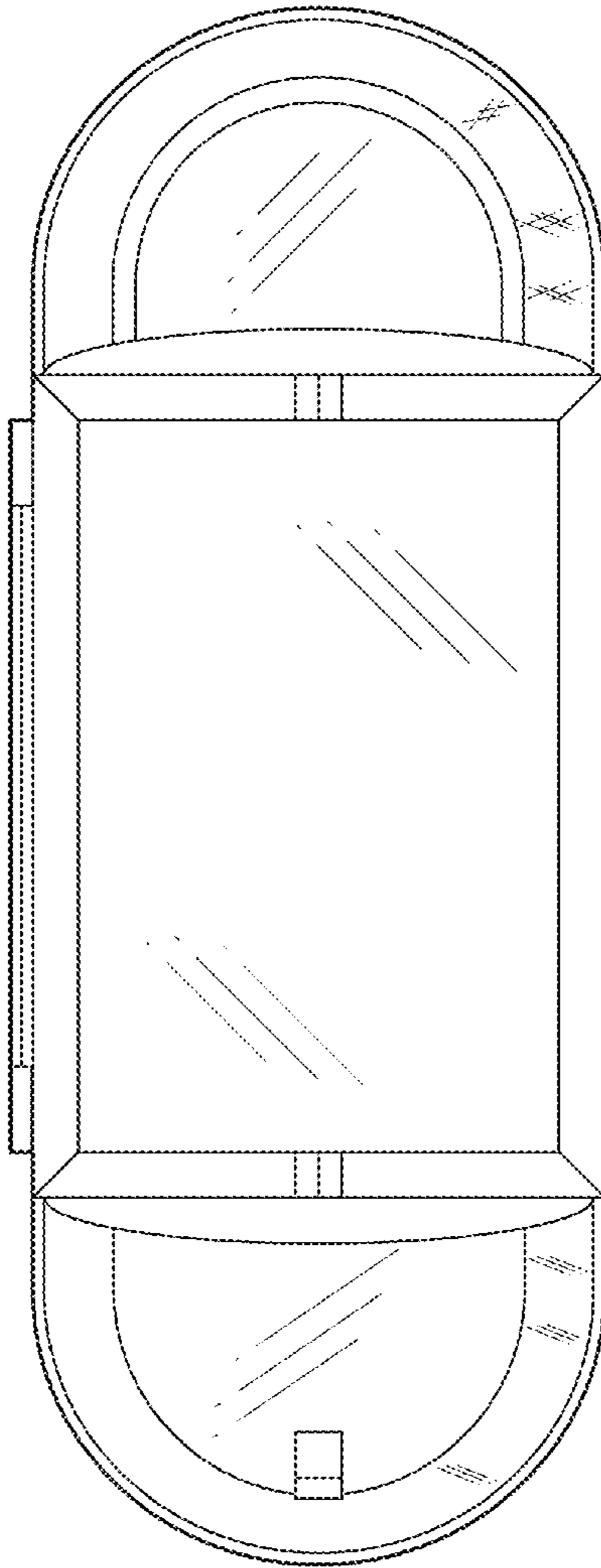


FIG. 5

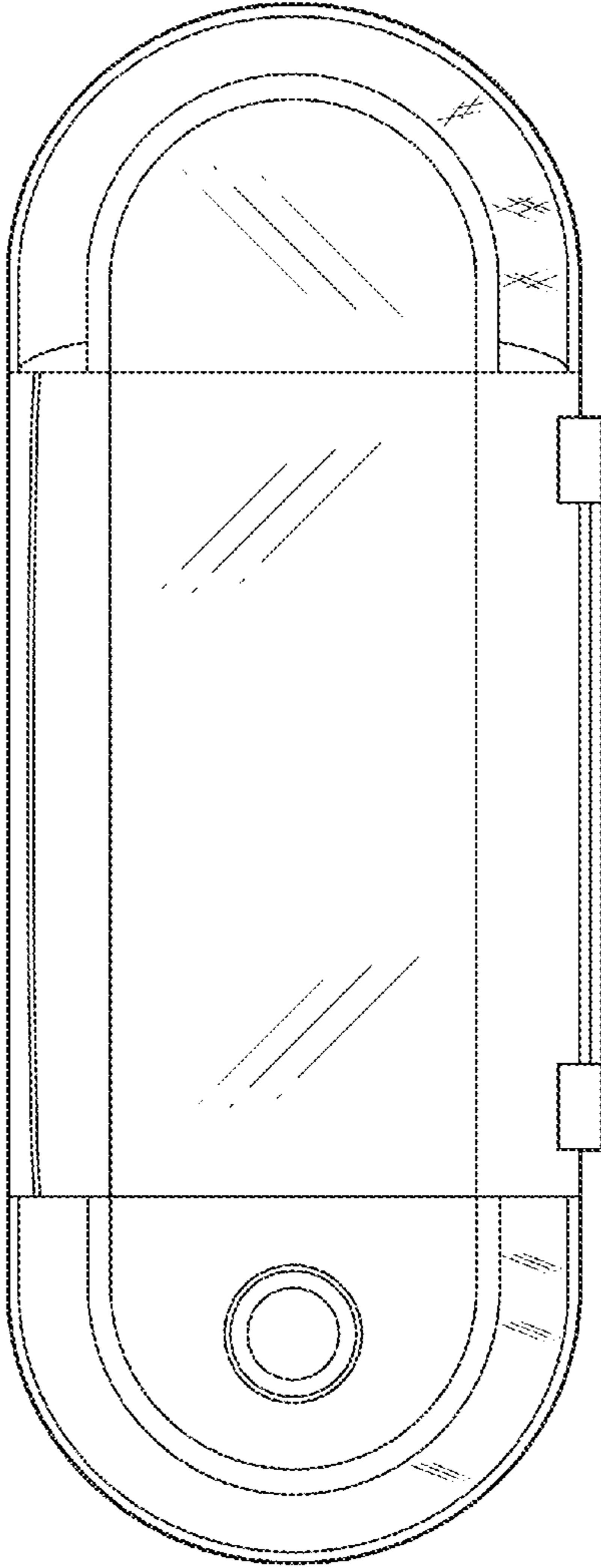


FIG. 6

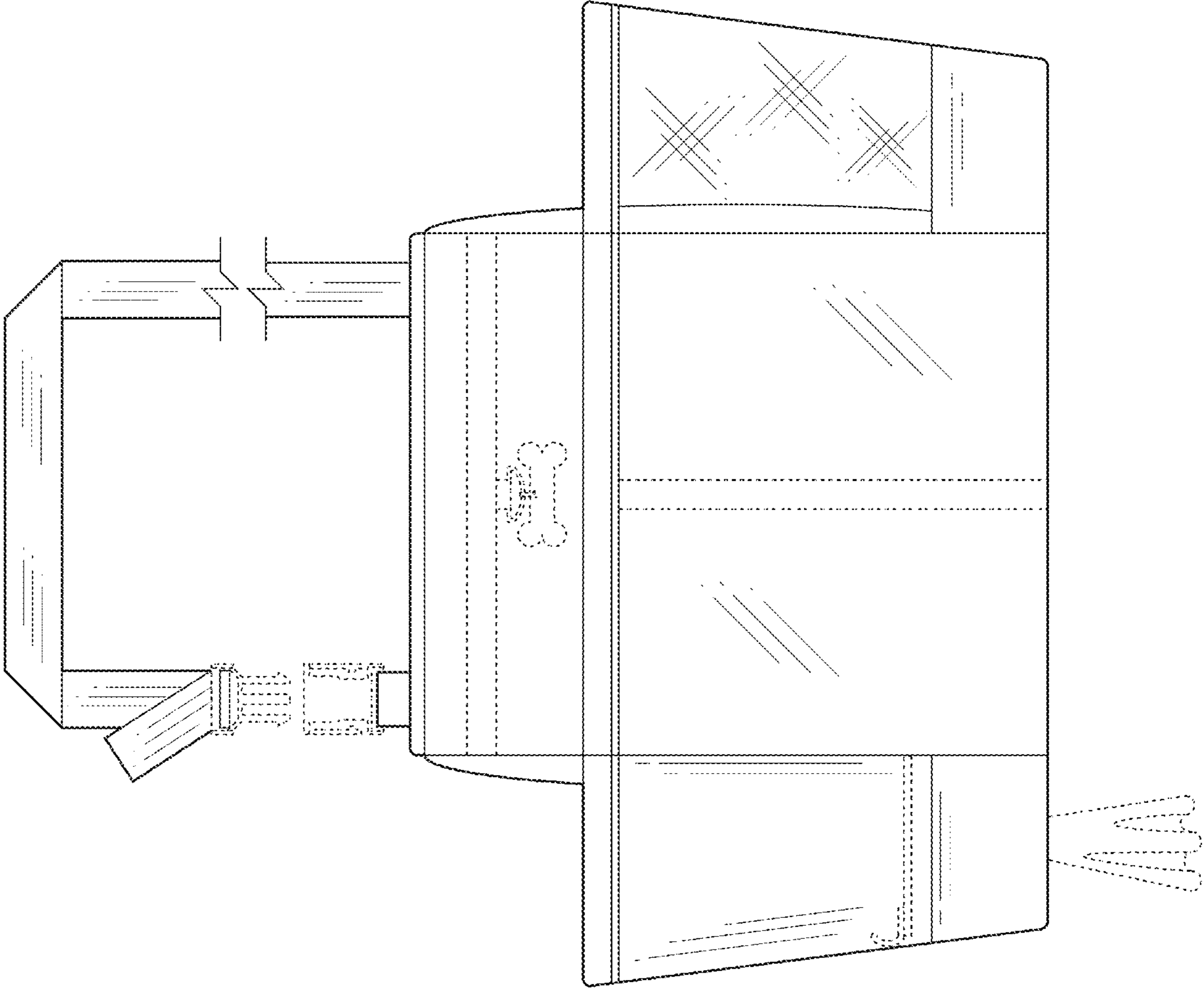


FIG. 7



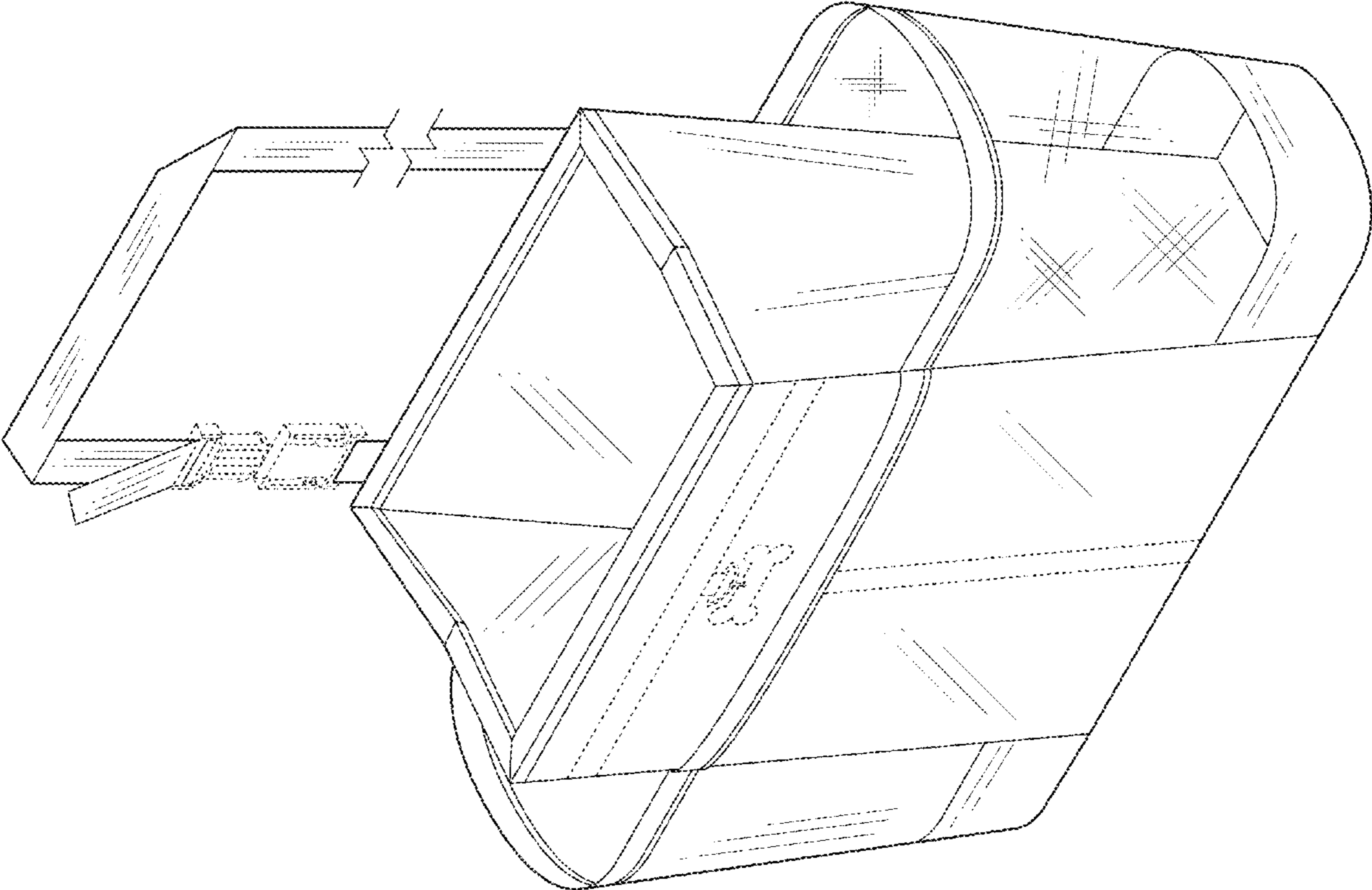


FIG. 8