



US00D700778S

(12) **United States Design Patent**
To et al.

(10) **Patent No.:** **US D700,778 S**
(45) **Date of Patent:** **** Mar. 11, 2014**

- (54) **WATERPROOF MOBILE DEVICE CAMERA CASE**
- (75) Inventors: **Nguyen To**, Corona, CA (US); **Andrew Namminga**, Costa Mesa, CA (US)
- (73) Assignee: **Mophie, Inc.**, Tustin, CA (US)
- (**) Term: **14 Years**
- (21) Appl. No.: **29/428,555**
- (22) Filed: **Jul. 31, 2012**
- (51) **LOC (10) Cl.** **03-01**
- (52) **U.S. Cl.**
USPC **D3/294; D14/250**
- (58) **Field of Classification Search**
USPC **D3/294, 285, 289; D14/250; 206/278, 206/215, 555, 1.5, 235, 265**
See application file for complete search history.

(56) **References Cited**

U.S. PATENT DOCUMENTS

3,019,715	A	2/1962	Arnold et al.	
D265,829	S	8/1982	Shimoda	
D419,296	S	1/2000	Shinano	
6,138,826	A	10/2000	Kanamori et al.	
D453,177	S	1/2002	Uehara	
D464,196	S	* 10/2002	Parker D3/273
7,106,959	B2	9/2006	Sato	
D537,858	S	3/2007	Griffin et al.	
7,194,202	B2	3/2007	Funahashi et al.	
D557,897	S	* 12/2007	Richardson et al. D3/294
7,653,292	B2	1/2010	Yamaguchi et al.	
7,679,674	B2	3/2010	Nishizawa	
D616,479	S	5/2010	Ganahl, Jr.	
D621,432	S	8/2010	Yim	
7,801,425	B2	9/2010	Fantone et al.	

(Continued)

OTHER PUBLICATIONS

U.S. Appl. No. 29/436,918, filed Nov. 9, 2012, To et al.

(Continued)

Primary Examiner — Holly Baynham
(74) *Attorney, Agent, or Firm* — Knobbe, Martens, Olson & Bear LLP

(57) **CLAIM**

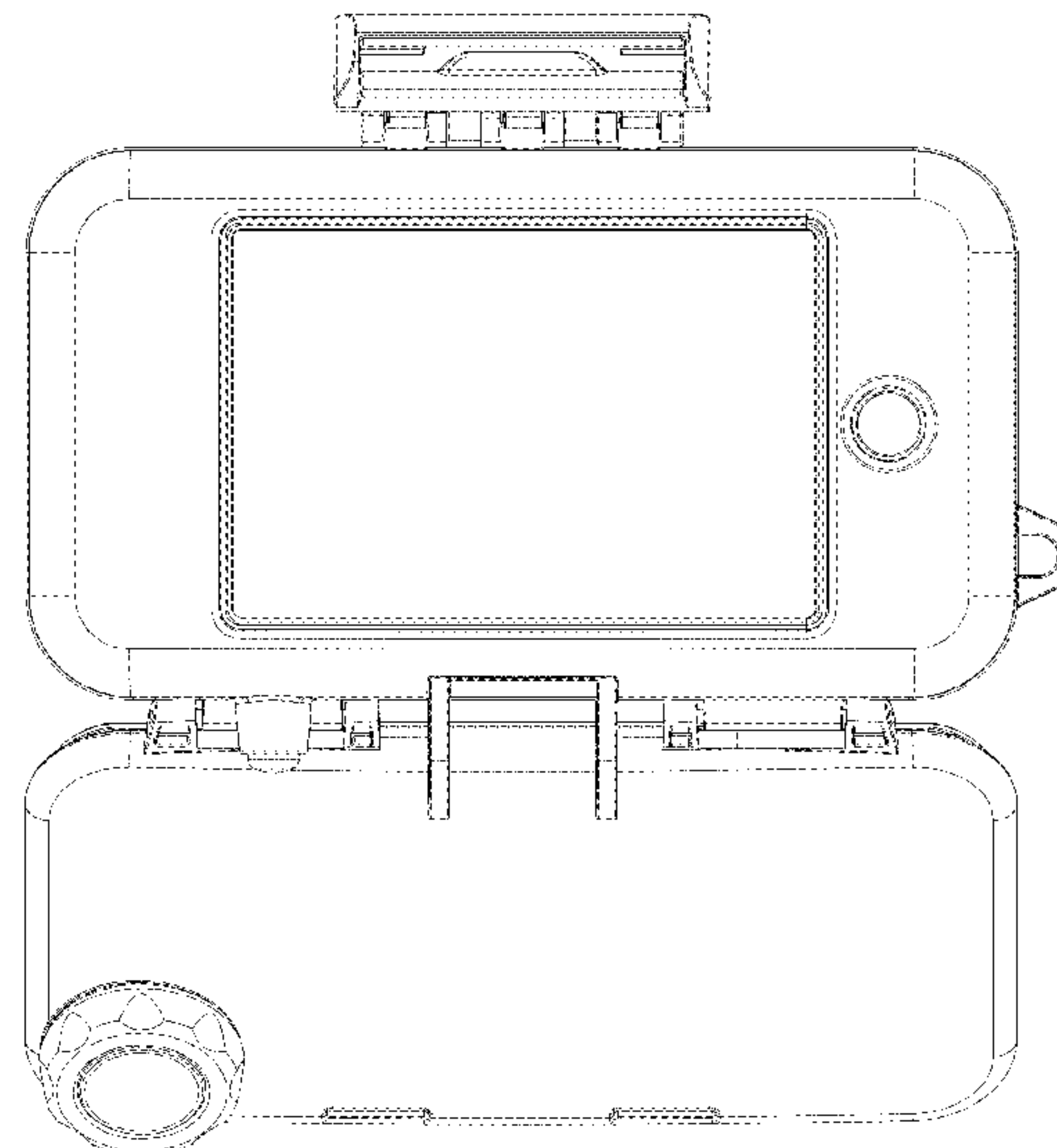
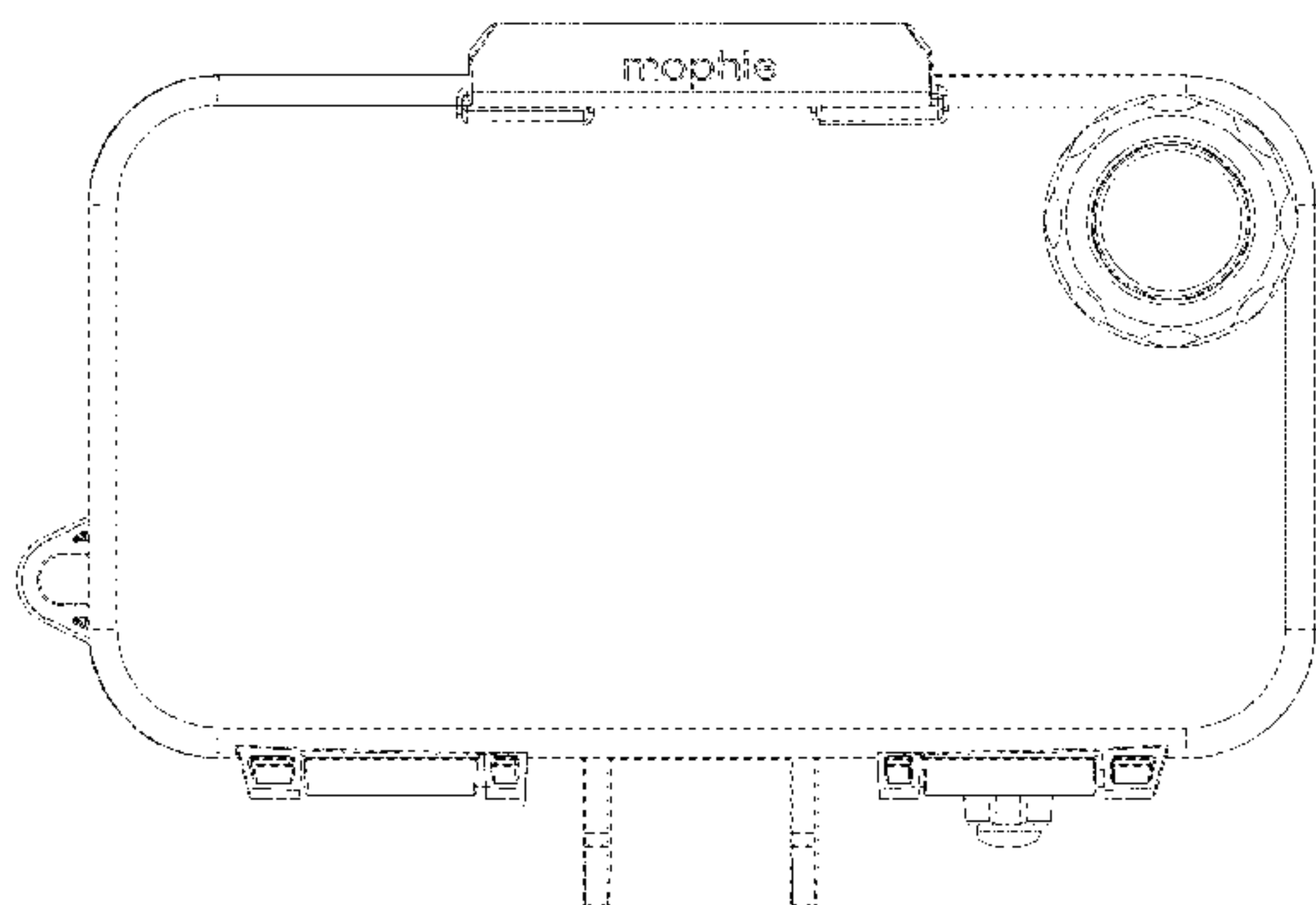
The ornamental design for a waterproof mobile device camera case, as shown and described.

DESCRIPTION

FIG. 1 is a front view of the waterproof mobile device camera case in the closed position;
 FIG. 2 is a rear view of the waterproof mobile device camera case in the closed position;
 FIG. 3 is a top view of the waterproof mobile device camera case in the closed position;
 FIG. 4 is a bottom view of the waterproof mobile device camera case in the closed position;
 FIG. 5 is a left view of the waterproof mobile device camera case in the closed position;
 FIG. 6 is a right view of the waterproof mobile device camera case in the closed position;
 FIG. 7 is a front view of the waterproof mobile device camera case in the closed position with the latch unclamped;
 FIG. 8 is a left view of the waterproof mobile device camera case in the closed position with the latch unclamped;
 FIG. 9 is an external view of the waterproof mobile device camera case in the open position with the latch unclamped;
 FIG. 10 is an internal view of the waterproof mobile device camera case in the open position with the latch unclamped;
 FIG. 11 is a left view of the waterproof mobile device camera case in the open position with the latch unclamped; and,
 FIG. 12 is an internal view of the mobile device in the waterproof mobile device camera case in the open position with the latch unclamped.

The Mophie trademark found on the clasp element of the claimed design belongs to Mophie, Inc.

1 Claim, 12 Drawing Sheets



(56)

References Cited

U.S. PATENT DOCUMENTS

7,929,847 B2 4/2011 Yim
D645,663 S * 9/2011 Henley et al. D3/294
D646,313 S 10/2011 Woodman
D647,303 S * 10/2011 Mish et al. D3/294
D647,554 S 10/2011 Yim
D657,808 S 4/2012 Woodman
8,244,118 B2 8/2012 Stansbury
2005/0115852 A1 6/2005 Funahashi et al.
2006/0008262 A1 1/2006 Watanabe et al.
2006/0193615 A1 8/2006 Funahashi et al.
2007/0071423 A1 3/2007 Fantone et al.

2007/0110416 A1 5/2007 Yamaguchi et al.
2009/0110380 A1 4/2009 Fantone et al.
2009/0317069 A1 12/2009 Yim
2011/0147245 A1 6/2011 Yim
2013/0184033 A1 7/2013 Willenborg

OTHER PUBLICATIONS

U.S. Appl. No. 29/436,927, filed Nov. 9, 2012, To et al.
U.S. Appl. No. 29/441,595, filed Jan. 7, 2013, Namminga et al.
U.S. Appl. No. 29/441,597, filed Jan. 7, 2013, Namminga et al.
U.S. Appl. No. 29/428,556, filed Jul. 31, 2012, To et al.
U.S. Appl. No. 29/410,511, filed Jan. 9, 2012, To.

* cited by examiner

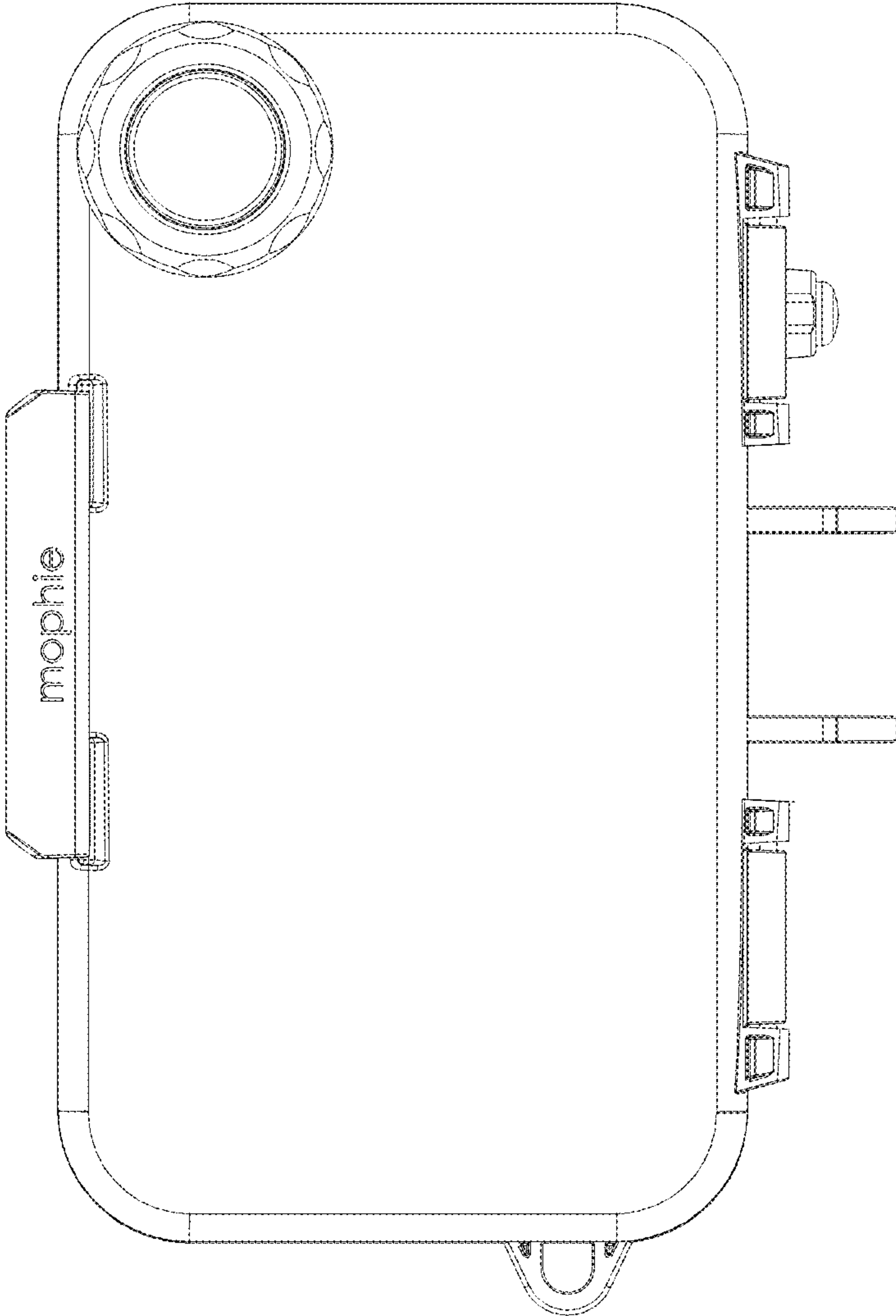


FIG. 1

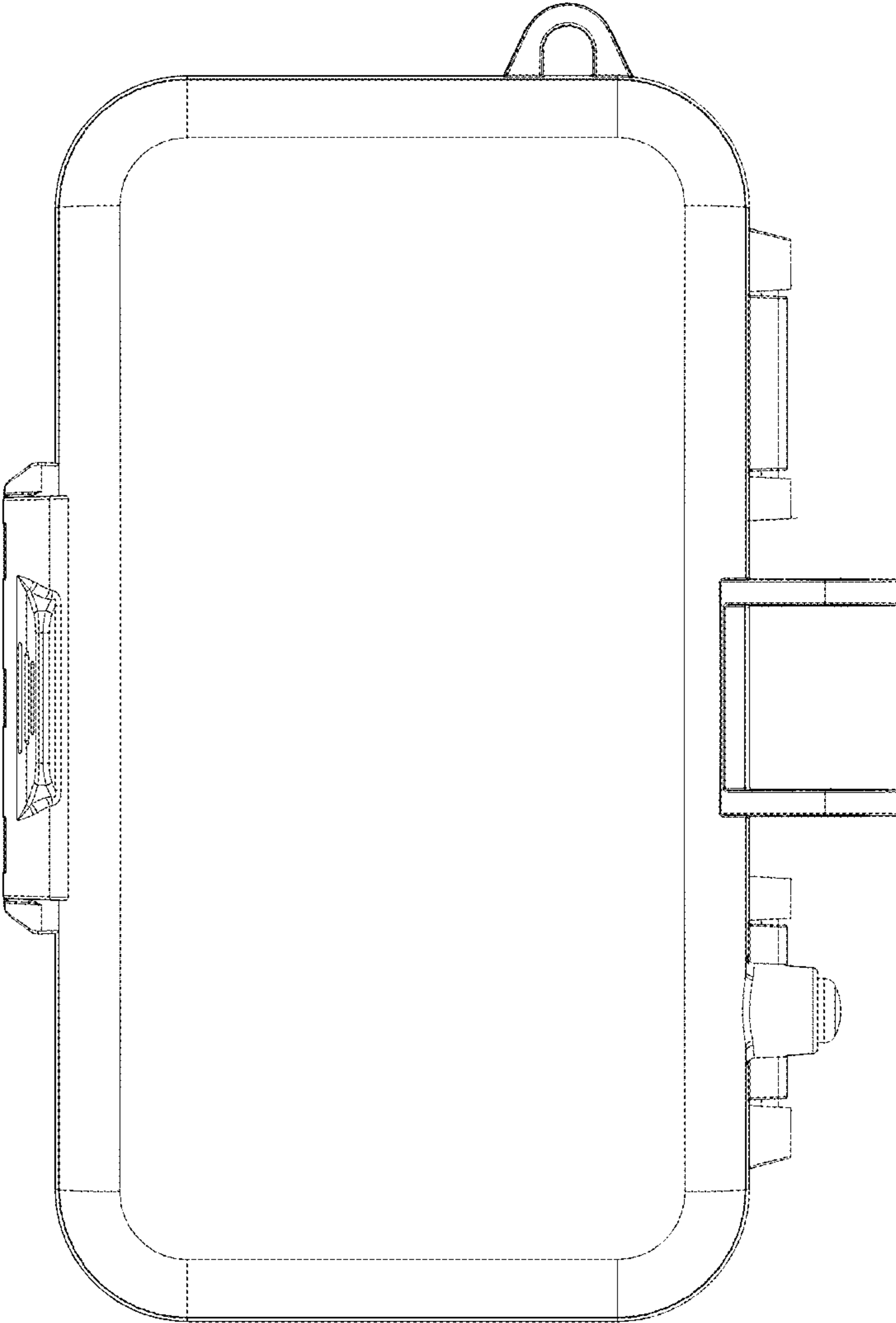
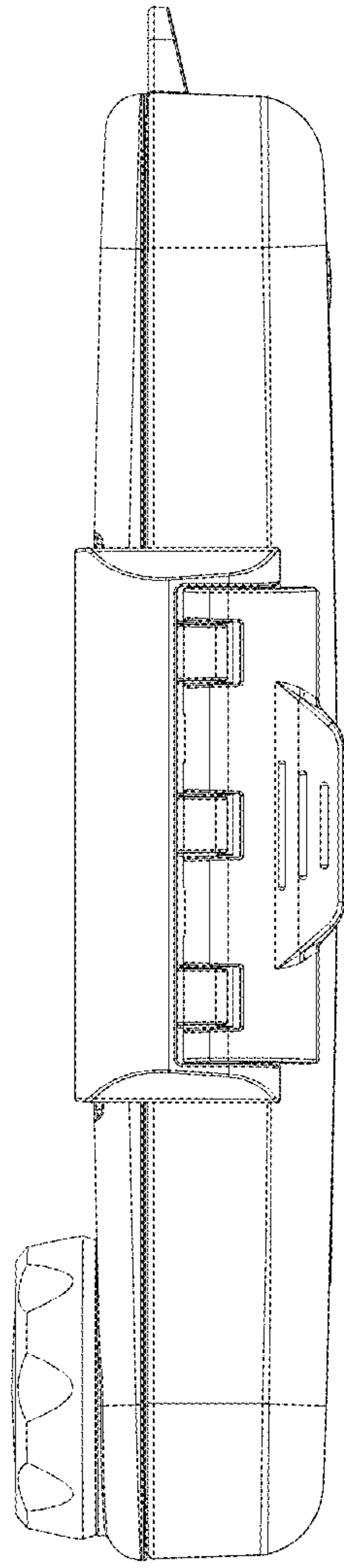


FIG. 2

FIG. 3



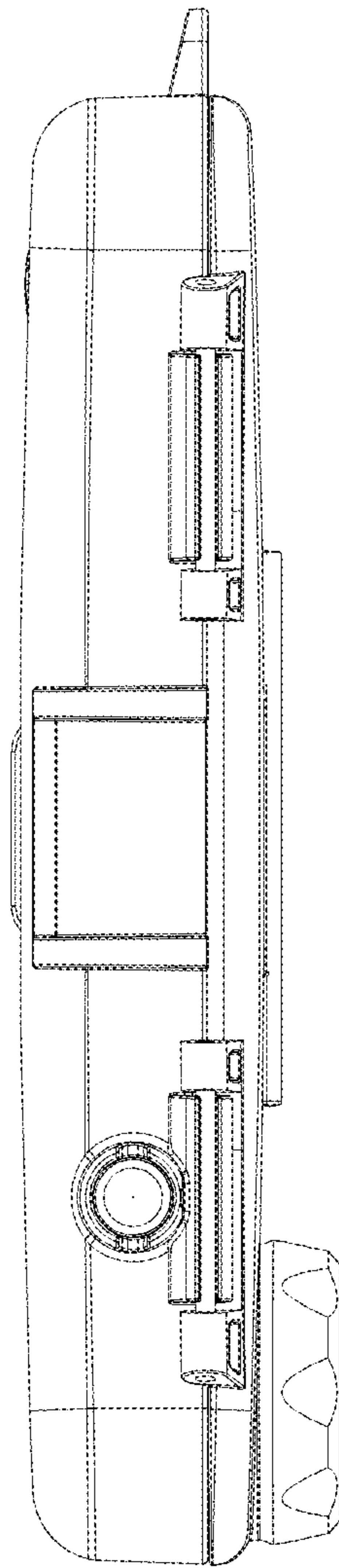


FIG. 4

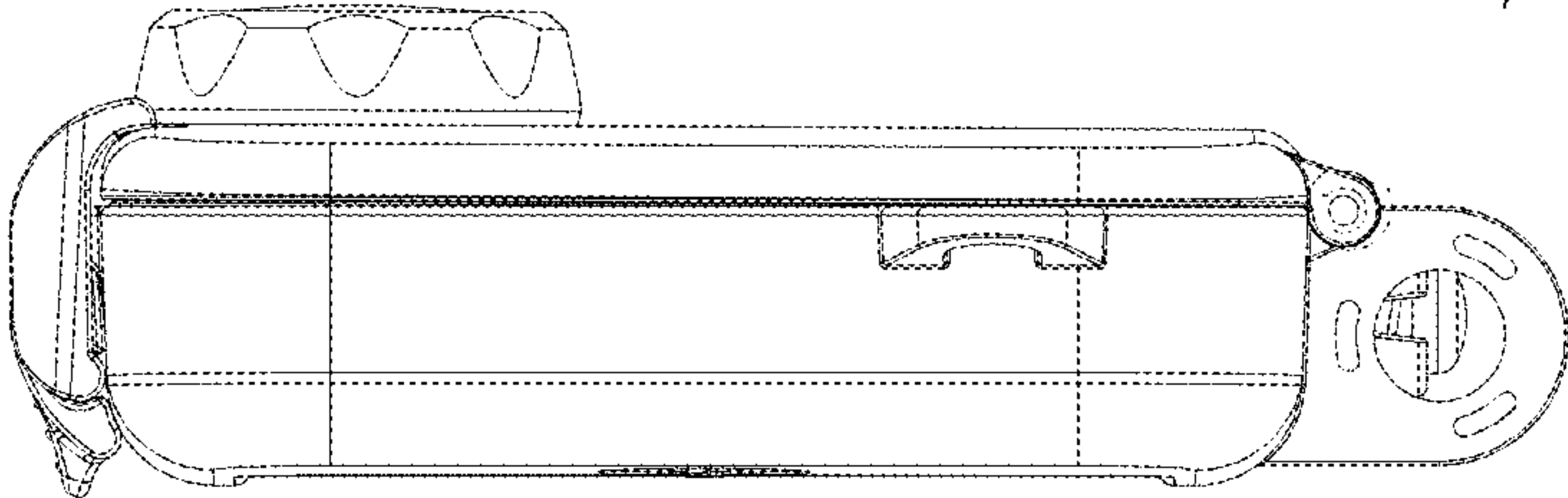


FIG. 5

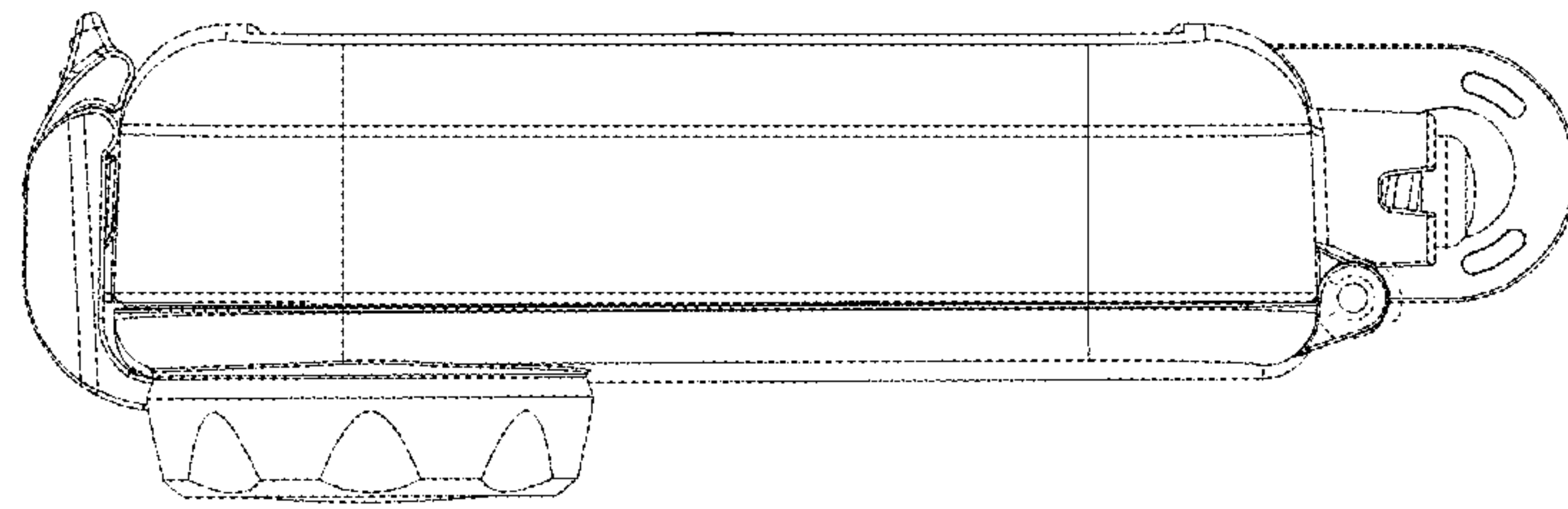


FIG. 6

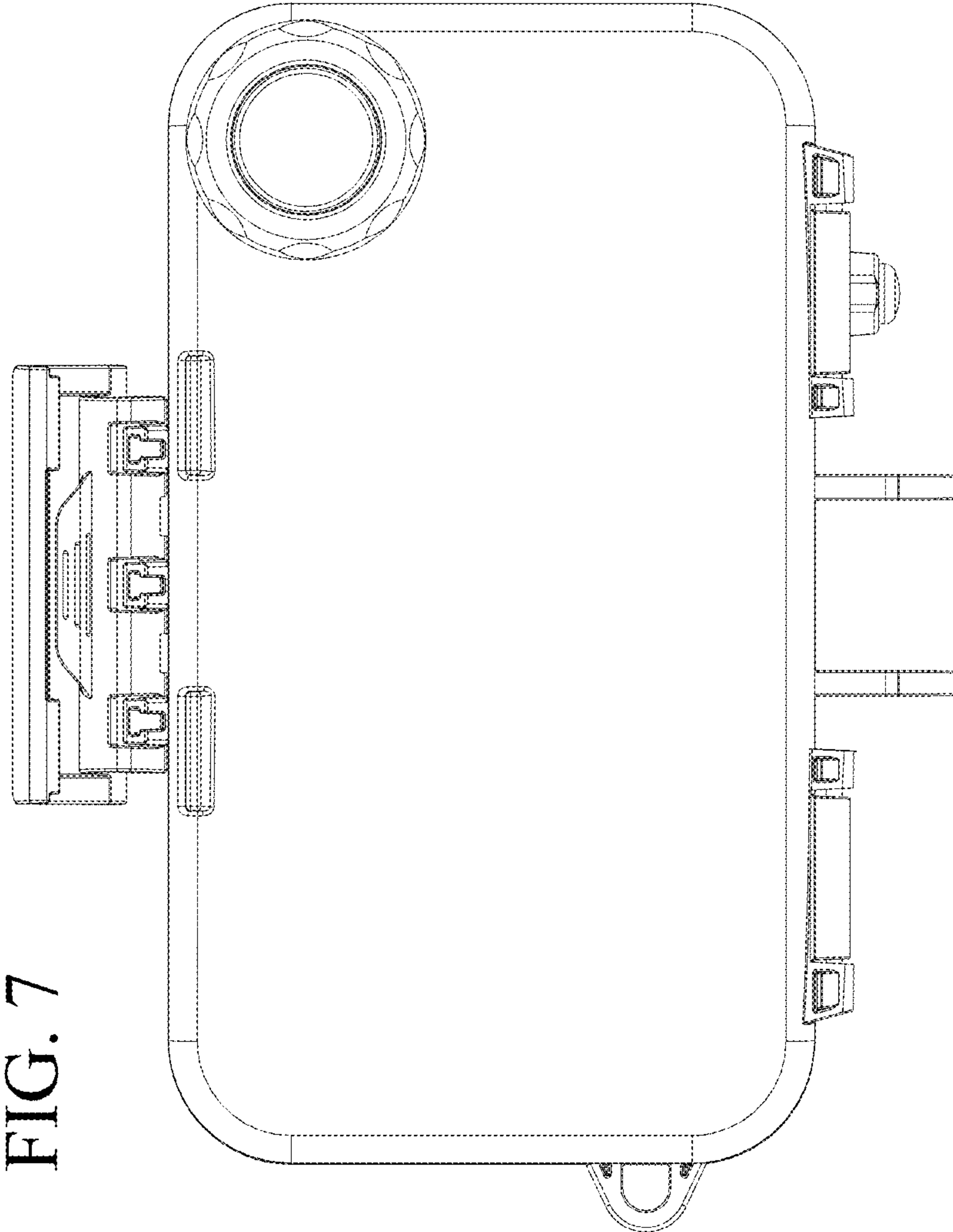


FIG. 7

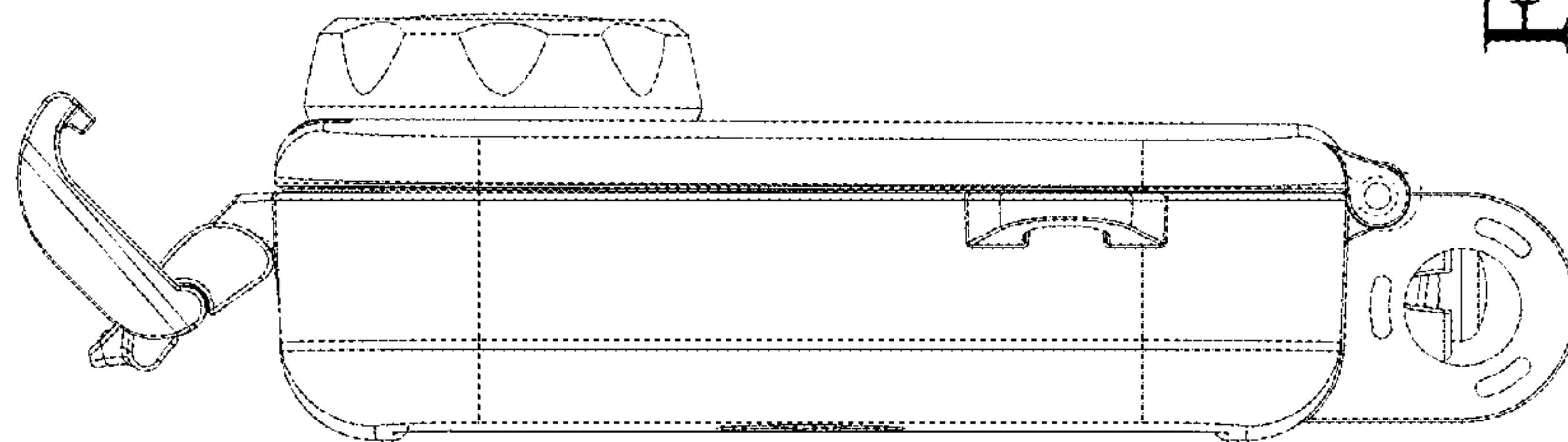


FIG. 8

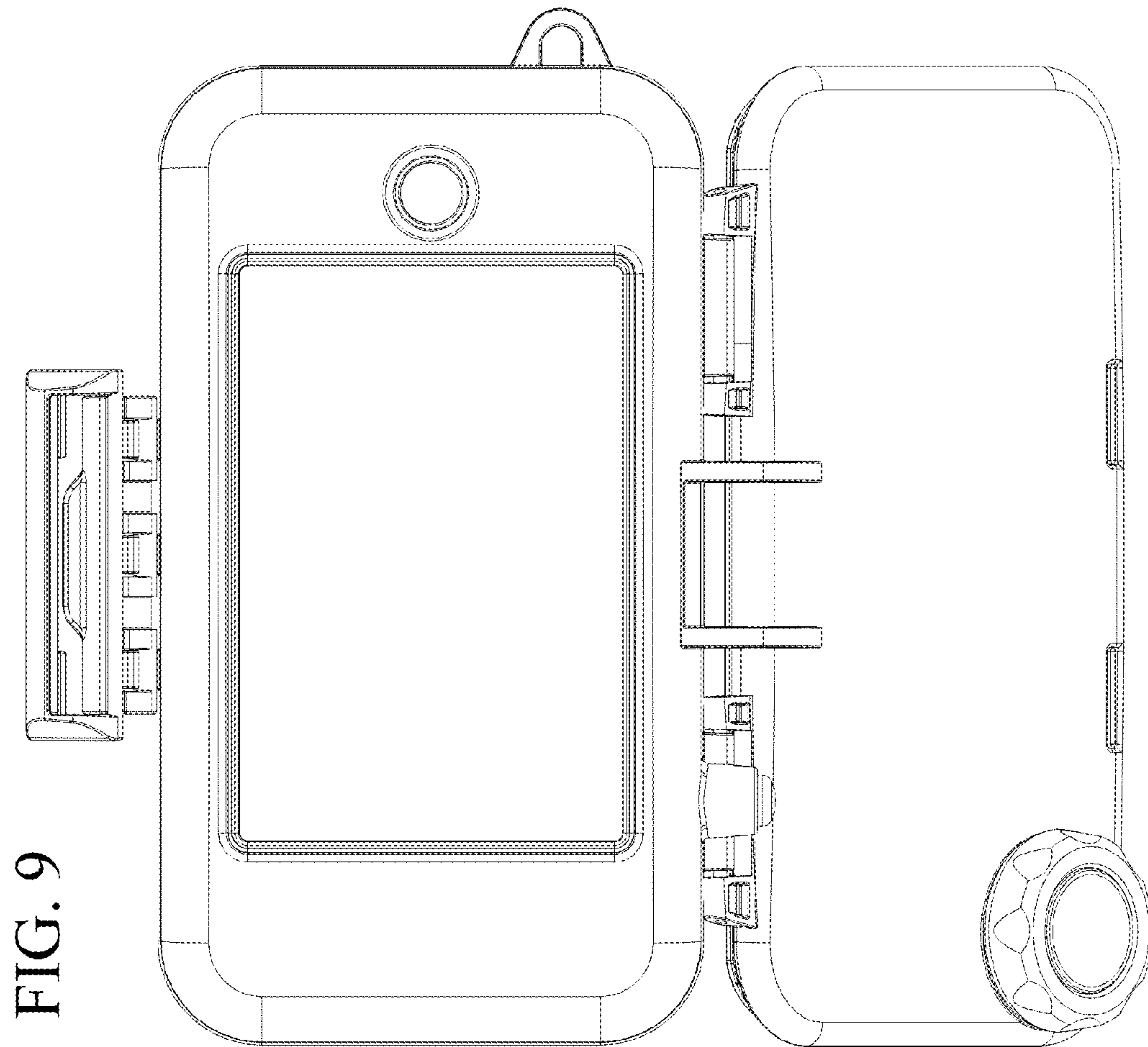


FIG. 9

FIG. 10

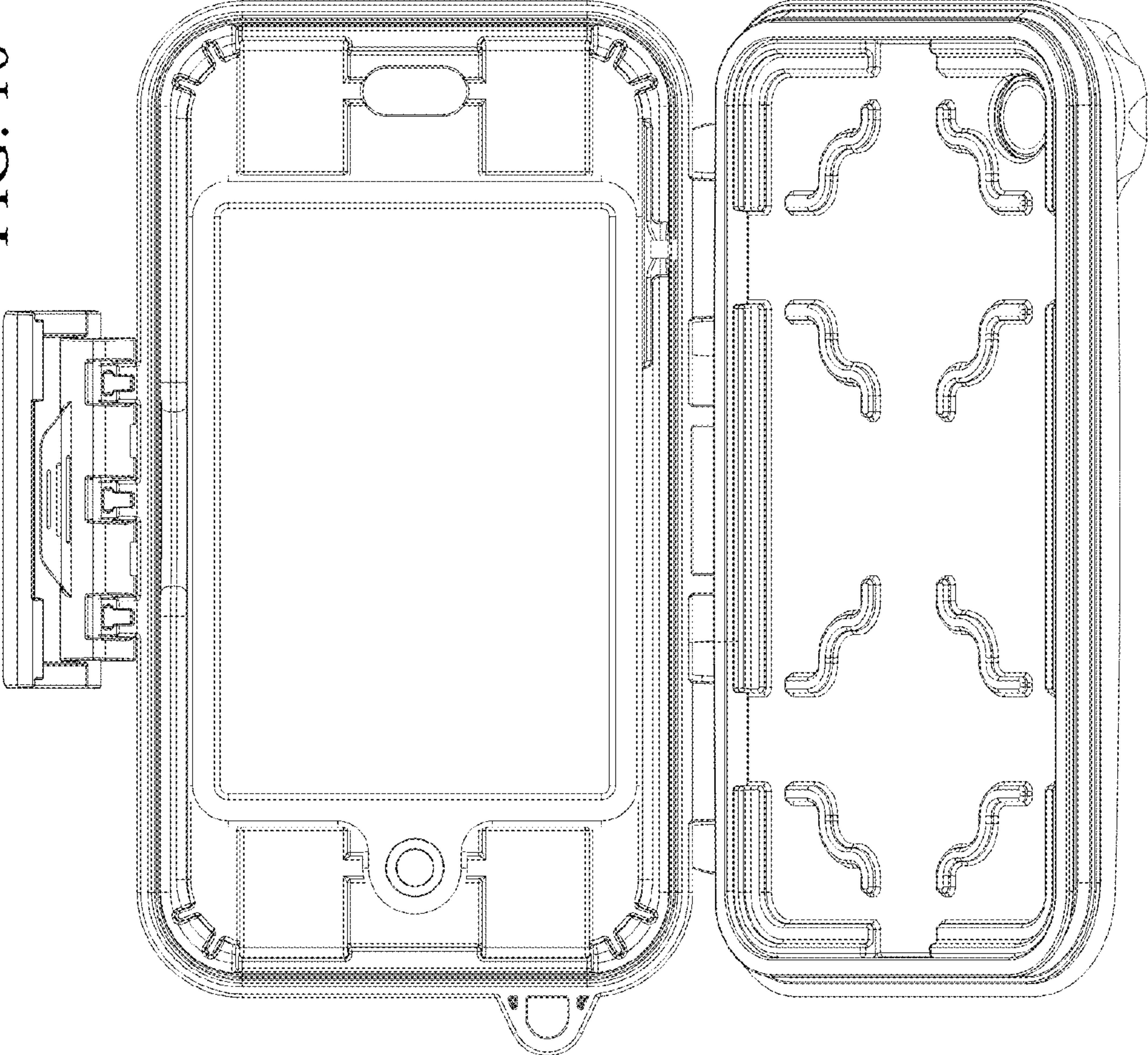


FIG. 11

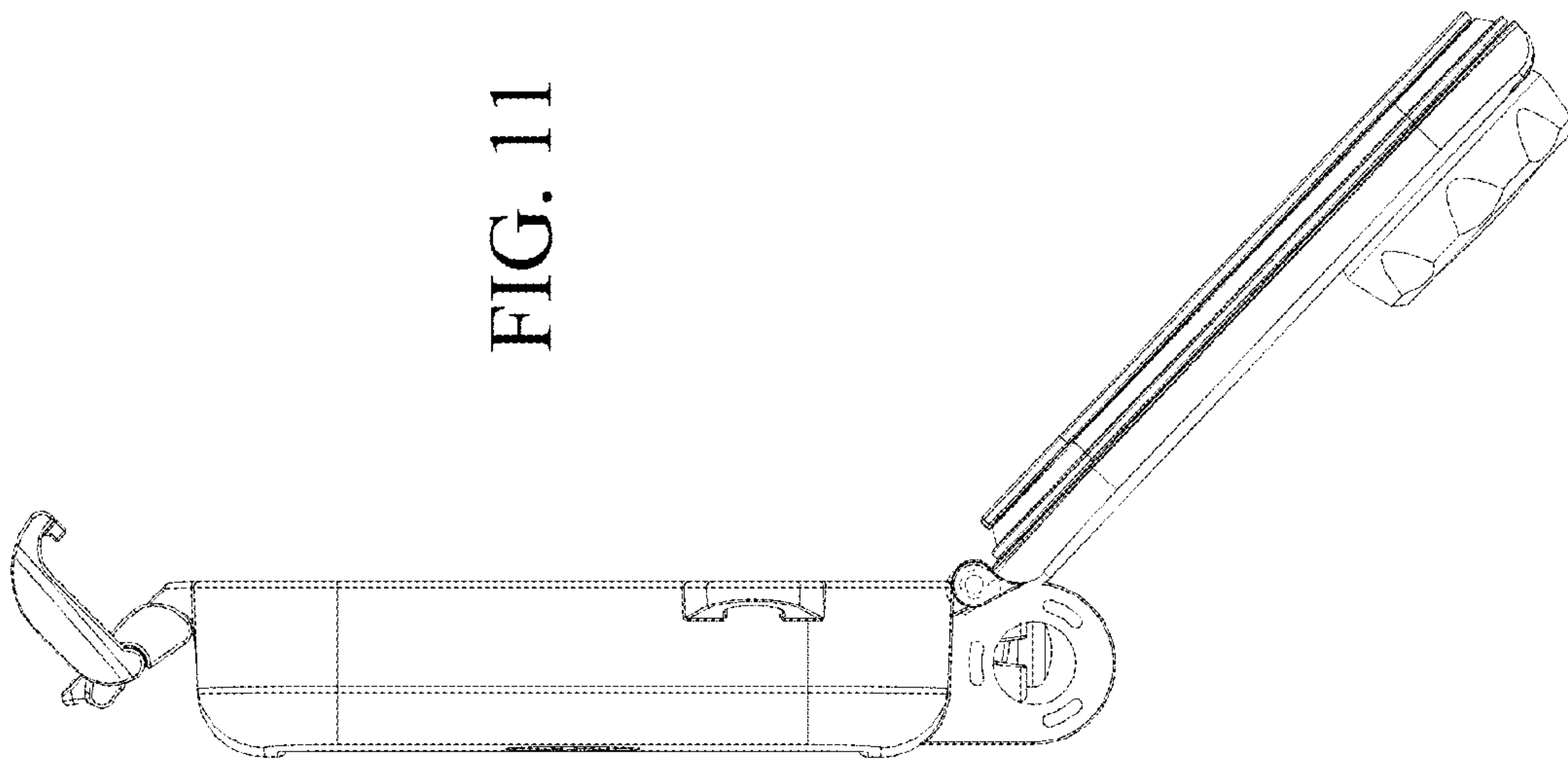


FIG. 12

