



US00D700774S

(12) **United States Design Patent**
Morgan et al.

(10) **Patent No.:** **US D700,774 S**
(45) **Date of Patent:** **** Mar. 11, 2014**

- (54) **ARMBAND**
- (71) Applicants: **Mark Edward Morgan**, Doral, FL (US); **Jytte Lilli Nielsen**, Doral, FL (US)
- (72) Inventors: **Mark Edward Morgan**, Doral, FL (US); **Jytte Lilli Nielsen**, Doral, FL (US)
- (73) Assignee: **Armpocket Enterprises**, Miramar, FL (US)
- (**) Term: **14 Years**
- (21) Appl. No.: **29/467,644**
- (22) Filed: **Sep. 20, 2013**

4,509,667 A 4/1985 Meldrum
 4,601,418 A 7/1986 Gruzensky
 4,881,684 A 11/1989 Chinman

(Continued)

FOREIGN PATENT DOCUMENTS

AU 200244464 12/2003
 CN 201504718 U 6/2010

(Continued)

OTHER PUBLICATIONS

Color photograph of Amphipod Armpod SmartView Plus (Sep. 19, 2012).

(Continued)

Primary Examiner — Catheri Oliver-Garcia
 (74) *Attorney, Agent, or Firm* — Marshall, Gerstein & Borun LLP

Related U.S. Application Data

- (63) Continuation-in-part of application No. 13/245,454, filed on Sep. 26, 2011, which is a continuation-in-part of application No. 11/509,122, filed on Aug. 24, 2006, now abandoned.
- (51) **LOC (10) Cl.** **03-01**
- (52) **U.S. Cl.**
USPC **D3/226**
- (58) **Field of Classification Search**
USPC D3/226, 201, 205, 215, 218–219, D3/232–233, 247–249; 224/217, 219, 222, 224/267, 269, 664, 667, 669, 676–677, 224/934; 383/63, 111, 113; D2/610, 621
See application file for complete search history.

(57) **CLAIM**
 The ornamental design for an armband, as shown and described.

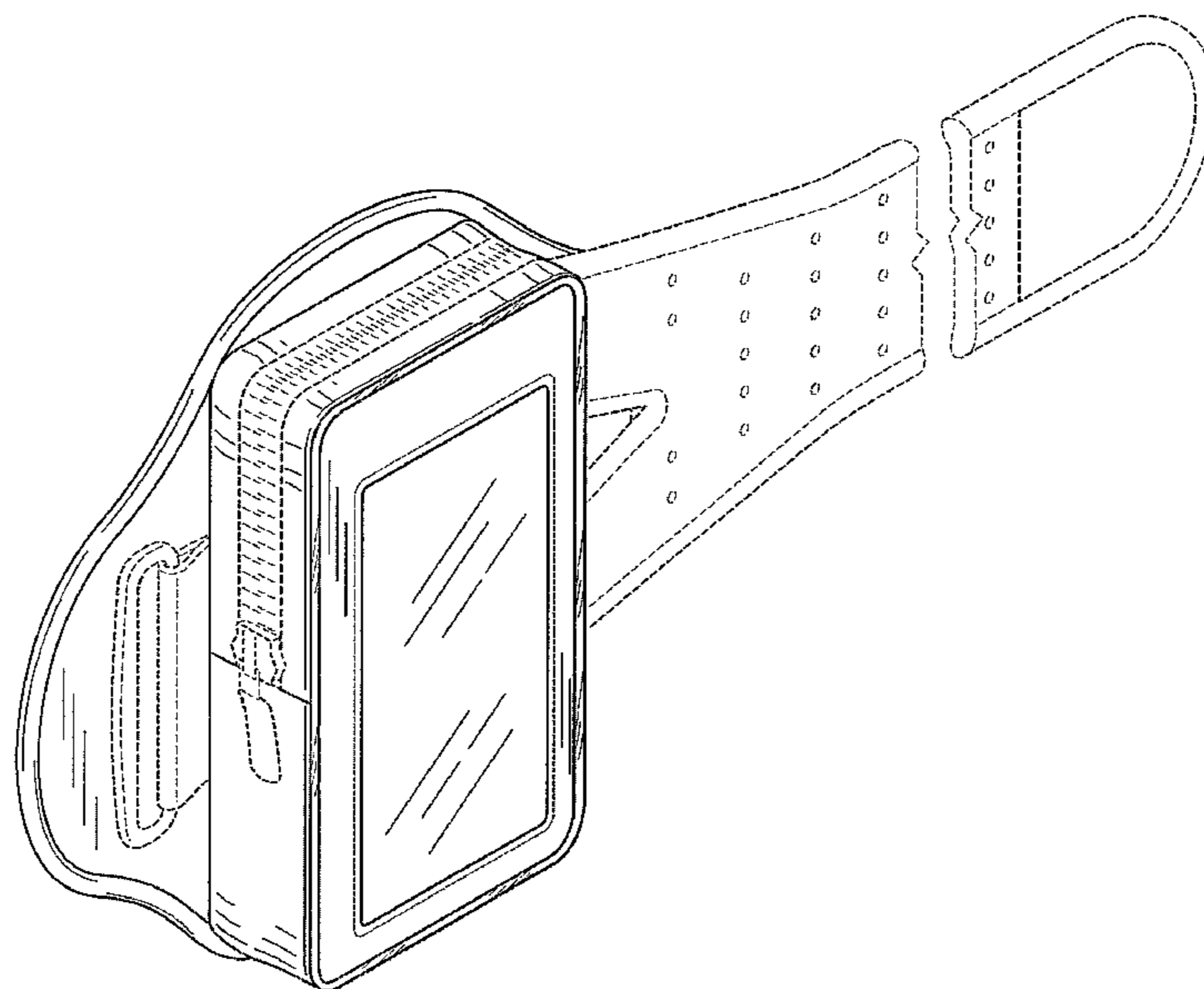
DESCRIPTION

FIG. 1 is a perspective view of the armband showing our new design;
 FIG. 2 is a front view of the armband seen in FIG. 1.
 FIG. 3 is a rear view of the armband seen in FIG. 1.
 FIG. 4 is a right-side view of the armband seen in FIG. 1.
 FIG. 5 is a left-side view of the armband seen in FIG. 1.
 FIG. 6 is a top view of the armband seen in FIG. 1; and,
 FIG. 7 is a bottom view of the armband seen in FIG. 1.
 The lighter weight broken lines shown within the boundaries of the solid lines in the perspective, front and bottom views are intended to represent stitching and form part of the claimed design. All other broken lines are for illustrative purposes only and form no part of the claimed design.

(56) **References Cited**
U.S. PATENT DOCUMENTS

1,564,881 A 12/1925 Ambert
 D258,246 S 2/1981 Kravchenko
 D265,861 S 8/1982 Walasek
 4,432,477 A 2/1984 Haidt et al.

1 Claim, 5 Drawing Sheets



(56)

References Cited

U.S. PATENT DOCUMENTS

5,003,637 A 4/1991 Lonon
 5,009,347 A 4/1991 Phelps
 5,511,702 A 4/1996 Yang
 D371,675 S 7/1996 Carter
 D373,900 S 9/1996 Montgomery, Sr.
 5,586,706 A 12/1996 Ritzenhein
 D406,455 S 3/1999 Wagner, II
 5,938,089 A 8/1999 Abreu-Marston
 D414,929 S 10/1999 Brucki
 6,047,064 A 4/2000 Lyons
 6,227,424 B1 5/2001 Roegner
 6,330,961 B1 12/2001 Borja
 6,443,341 B1 9/2002 Rittmann
 6,568,574 B2 5/2003 Jones et al.
 D490,974 S 6/2004 Wagner, II
 D512,834 S 12/2005 Wagner, II
 D513,865 S 1/2006 Wagner, II
 7,048,162 B2 5/2006 Frye et al.
 D541,042 S 4/2007 Andre et al.
 D541,044 S 4/2007 Wagner, II
 D554,365 S 11/2007 Zhou et al.
 D576,791 S 9/2008 Wagner, II
 D576,792 S 9/2008 Wagner, II
 D607,198 S 1/2010 Andre et al.
 D620,706 S 8/2010 Wagner, II
 D622,058 S 8/2010 Wagner, II
 D623,404 S 9/2010 Andre et al.
 D628,375 S 12/2010 Andre et al.
 D651,793 S 1/2012 Willows et al.
 D666,409 S 9/2012 Andre et al.
 D680,326 S 4/2013 Willows et al.

D680,327 S 4/2013 Willows et al.
 D680,736 S 4/2013 Willows et al.
 8,413,613 B1 4/2013 Smith
 D681,945 S 5/2013 Willows et al.
 8,474,669 B2 7/2013 Rohrbach et al.
 2004/0144815 A1 7/2004 Reid
 2004/0206791 A1 10/2004 Rogers
 2004/0251285 A1 12/2004 O'Neill
 2005/0145657 A1 7/2005 Norberg
 2008/0017678 A1 1/2008 Anderson et al.
 2010/0032462 A1 2/2010 Cameron et al.
 2012/0074184 A1 3/2012 Morgan et al.
 2012/0152990 A1 6/2012 Kulas
 2013/0256346 A1 10/2013 Rohrbach et al.

FOREIGN PATENT DOCUMENTS

DE 20308250 U1 8/2003
 EP 1704796 A1 9/2006
 GB 2157942 A 11/1985
 GB D4028762 2/2013
 JP 2003153053 A 5/2003
 JP 2004049293 A 2/2004
 JP 2009280951 A 12/2009
 KR 468009 7/2013
 TW 311303 5/2007
 WO DM048120 A1 5/1999
 WO DM049933 9/1999

OTHER PUBLICATIONS

Workout Armband—Premium 2013 Version, downloaded from the Internet at: <<http://www.accessorystoreoutlet.com/collections/iphone-5-accessories/products/workout-aramband>>. Amazon.com search results for Armbands for smartphones.

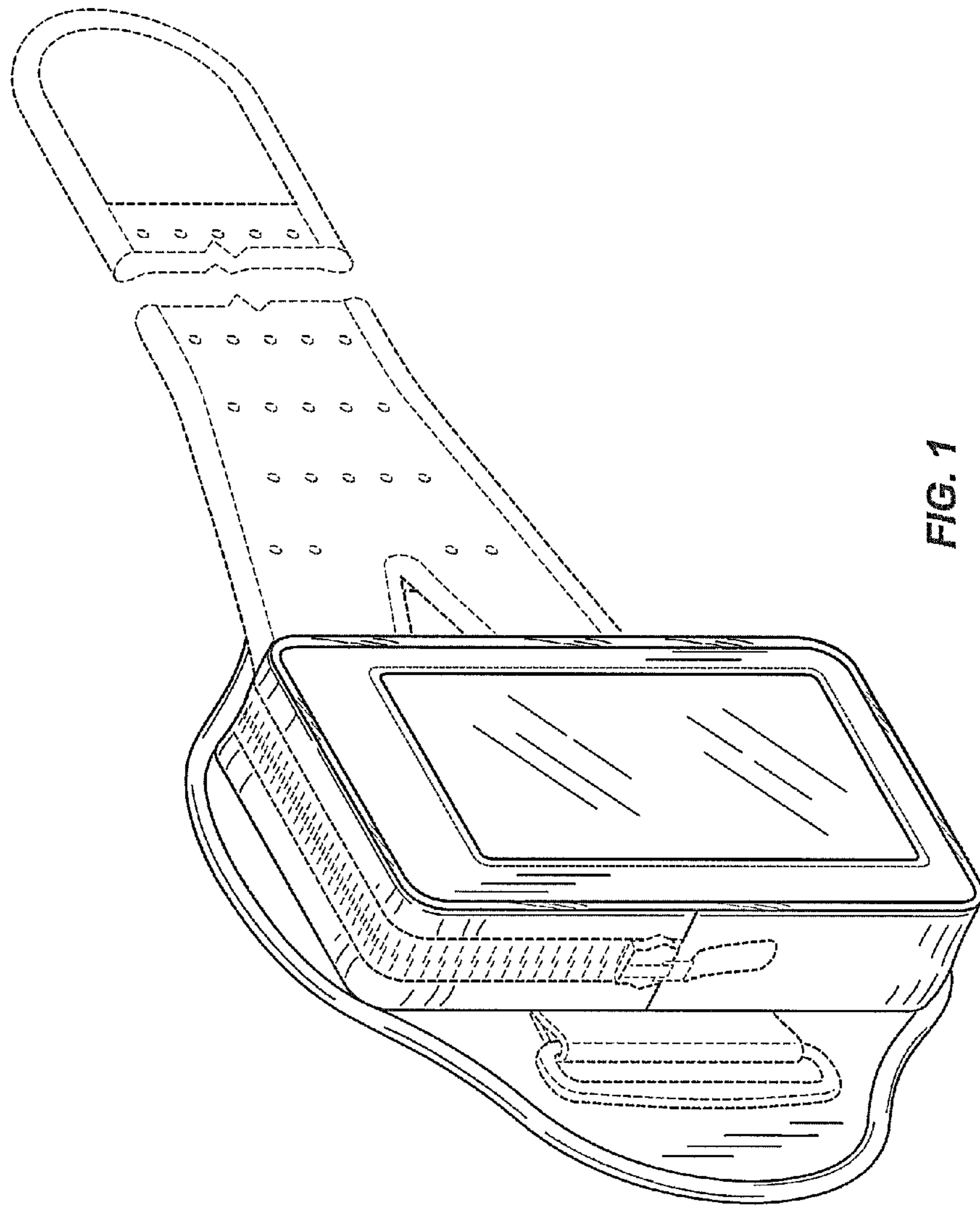


FIG. 1

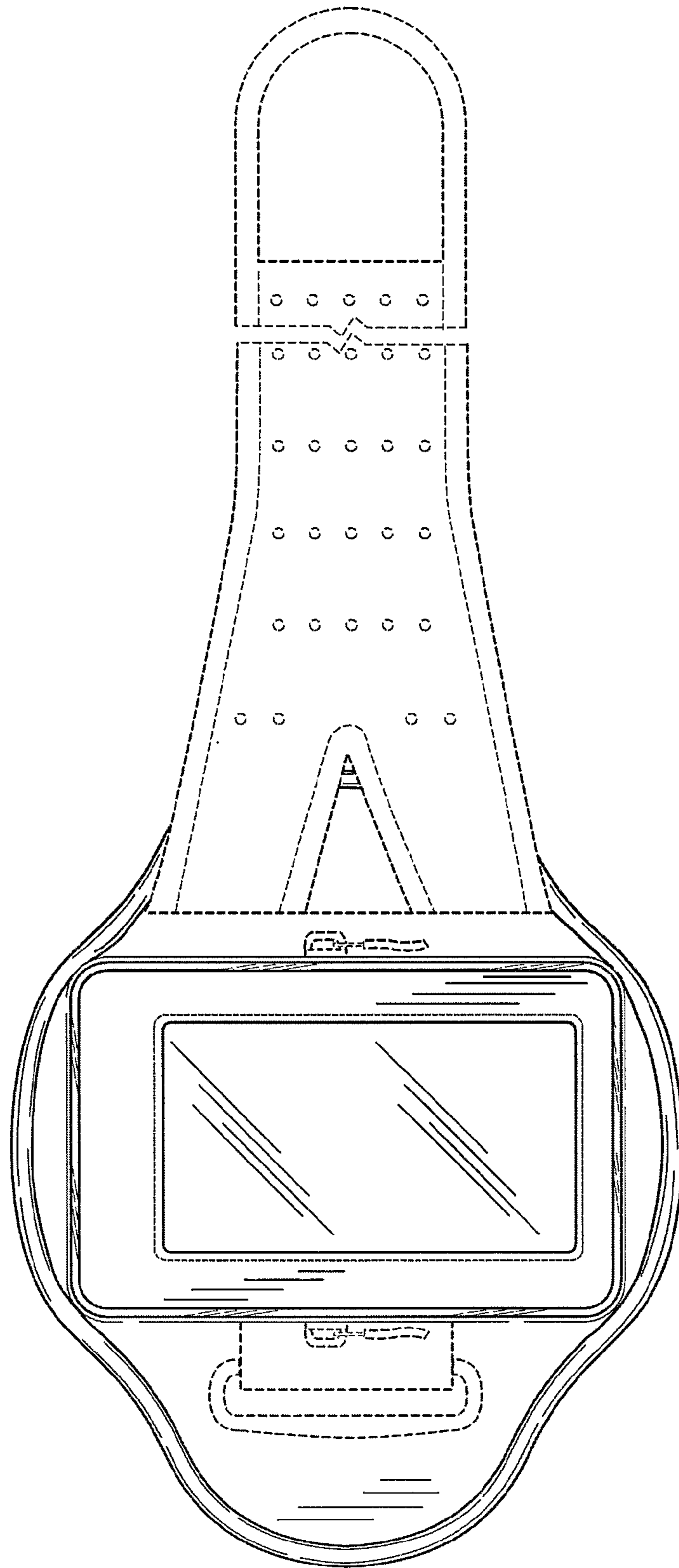


FIG. 2

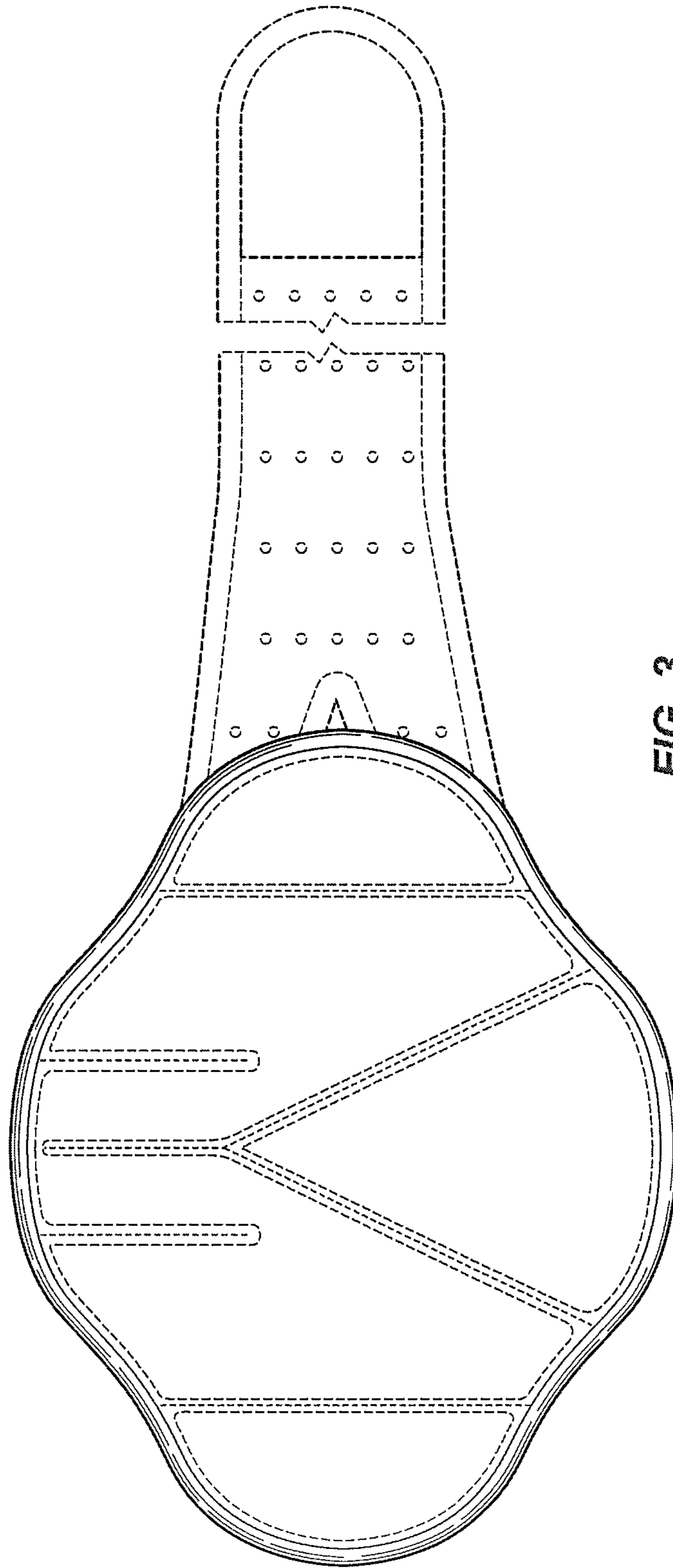


FIG. 3

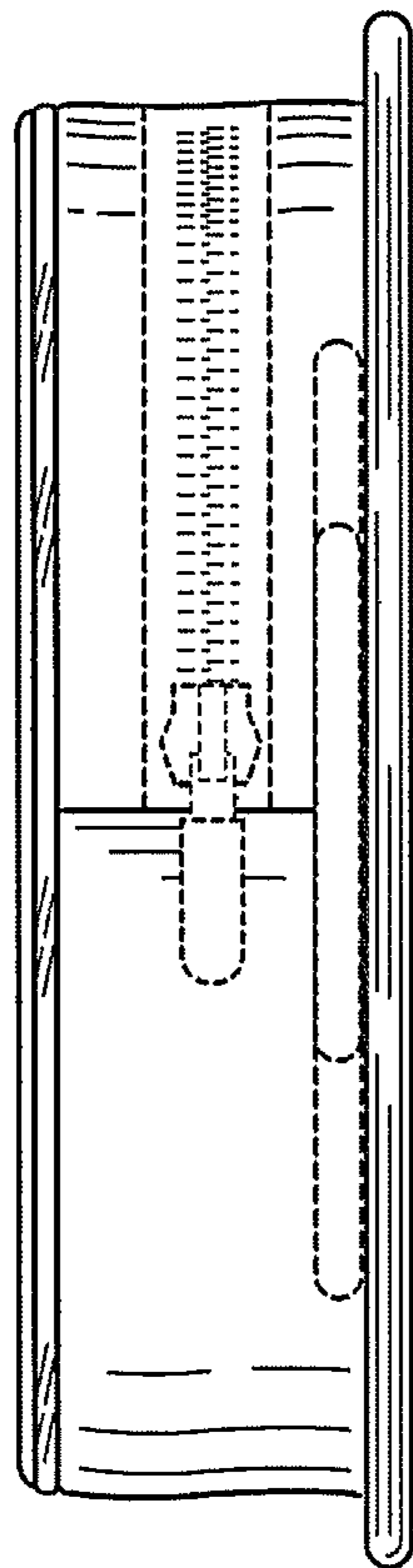


FIG. 4

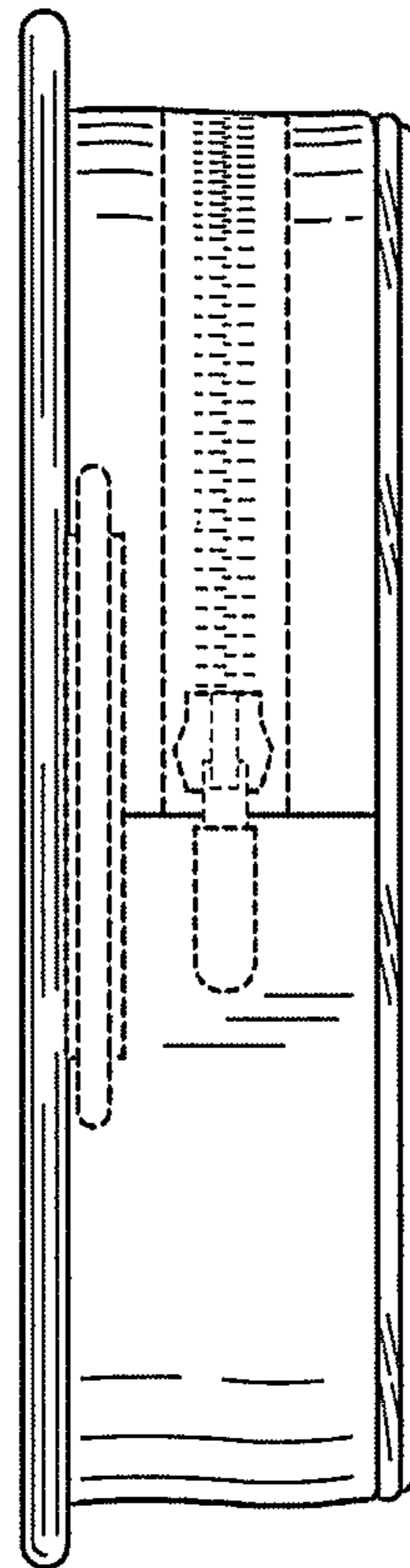


FIG. 5

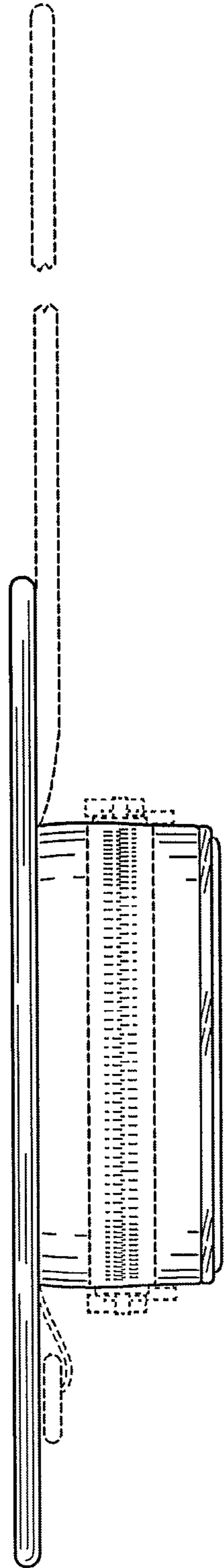


FIG. 6

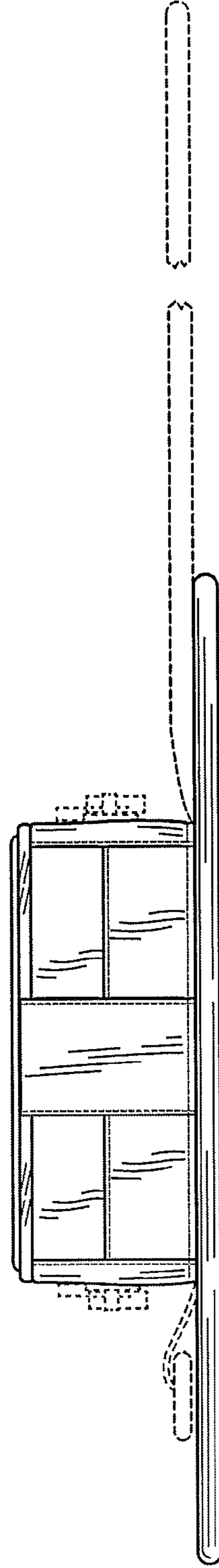


FIG. 7