



US00D700773S

(12) **United States Design Patent**
Lupkas

(10) **Patent No.:** **US D700,773 S**
(45) **Date of Patent:** **** Mar. 11, 2014**

- (54) **MOBILE PILL PURSE**
- (71) Applicant: **Raymond Robert Lupkas**, Milford, CT (US)
- (72) Inventor: **Raymond Robert Lupkas**, Milford, CT (US)
- (73) Assignee: **Raymond R Lupkas**, Milford, CT (US)
- (**) Term: **14 Years**
- (21) Appl. No.: **29/463,007**
- (22) Filed: **Jul. 5, 2013**
- (51) **LOC (10) Cl.** **03-01**
- (52) **U.S. Cl.**
USPC **D3/203.2**
- (58) **Field of Classification Search**
USPC D3/201–205, 251, 230; 150/131, 133, 150/136, 138, 143, 145; 224/199, 237; 206/37, 487, 449, 528, 530, 534.2, 206/539–540
See application file for complete search history.

- 3,542,263 A * 11/1970 Callahan 150/143
- D261,795 S * 11/1981 Julsen D3/230
- D296,616 S * 7/1988 Pangburn D3/230
- 5,121,864 A * 6/1992 Geschwind 224/230
- D689,689 S * 9/2013 Magno D3/203.2

* cited by examiner

Primary Examiner — Catheri Oliver-Garcia
(74) *Attorney, Agent, or Firm* — Raymond R Lupkas

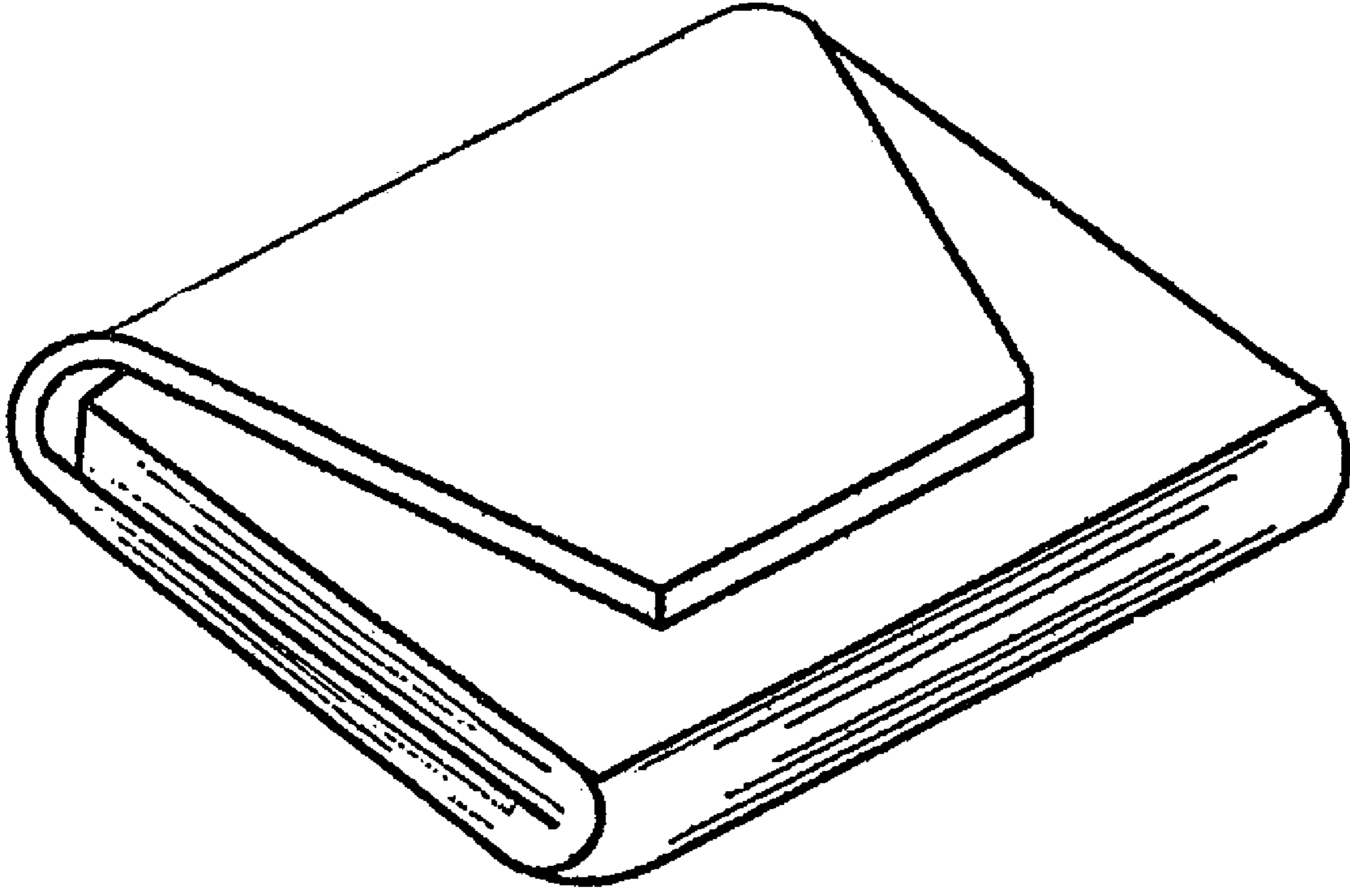
(57) **CLAIM**
The ornamental design for a mobile pill purse, as shown and described.

DESCRIPTION

FIG. 1 is a top isometric view of the mobile pill purse shown in a closed position;
FIG. 2 is a top isometric view, with the security flap in the open position using “hook and pile” or other attachment means in the open position to accept and maintain possession of items placed therein.
FIG. 3 is a bottom isometric view, showing the retention mechanism using “hook and pile” or other attachment means in the open position; and,
FIG. 4 is a bottom isometric view, showing a garment retention strap in the closed position when applied to a wearer’s clothing.

- (56) **References Cited**
U.S. PATENT DOCUMENTS
1,316,615 A * 9/1919 Hocking 150/143
D161,422 S * 1/1951 Chase 150/136

1 Claim, 2 Drawing Sheets



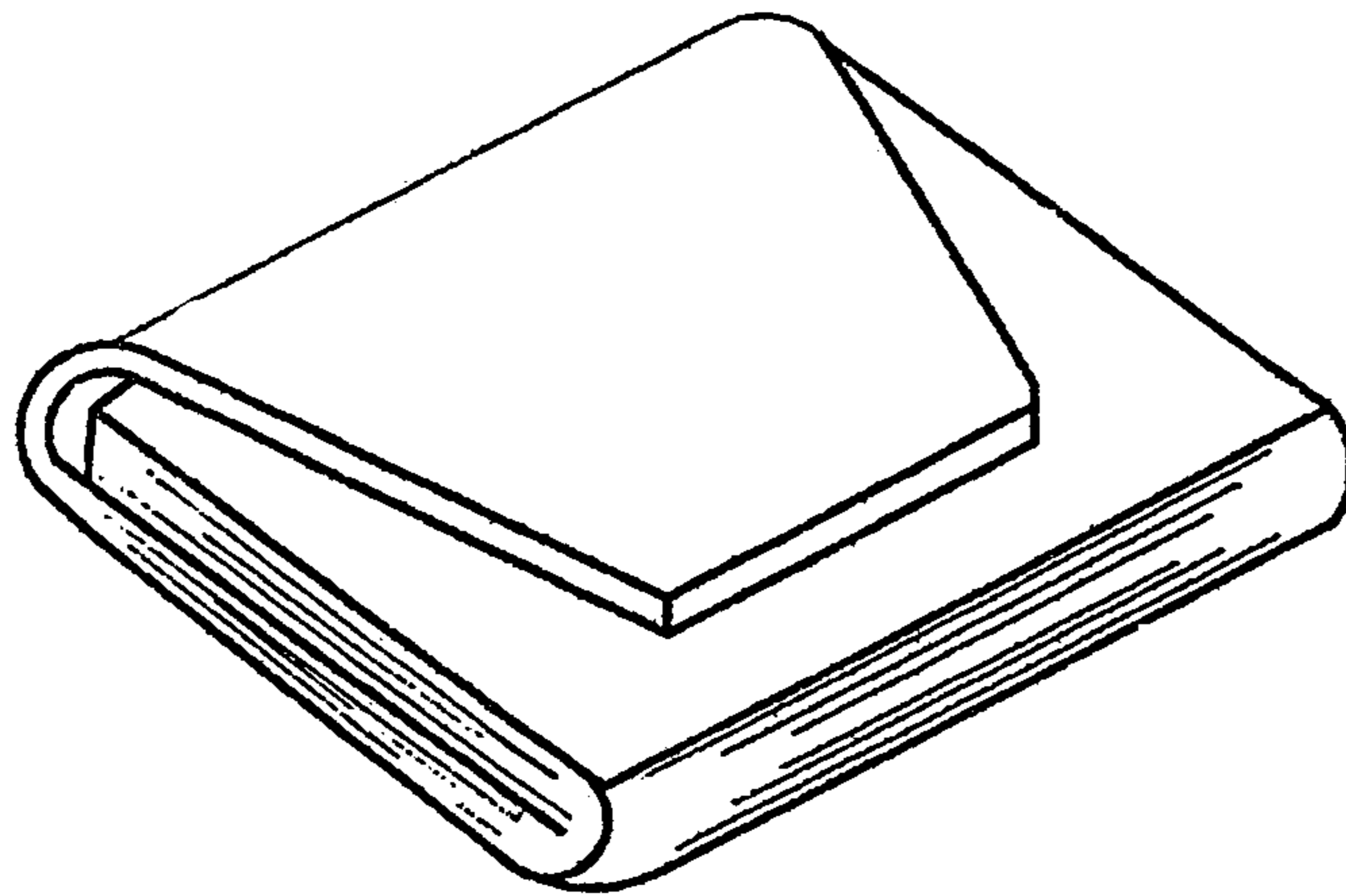


FIGURE 1

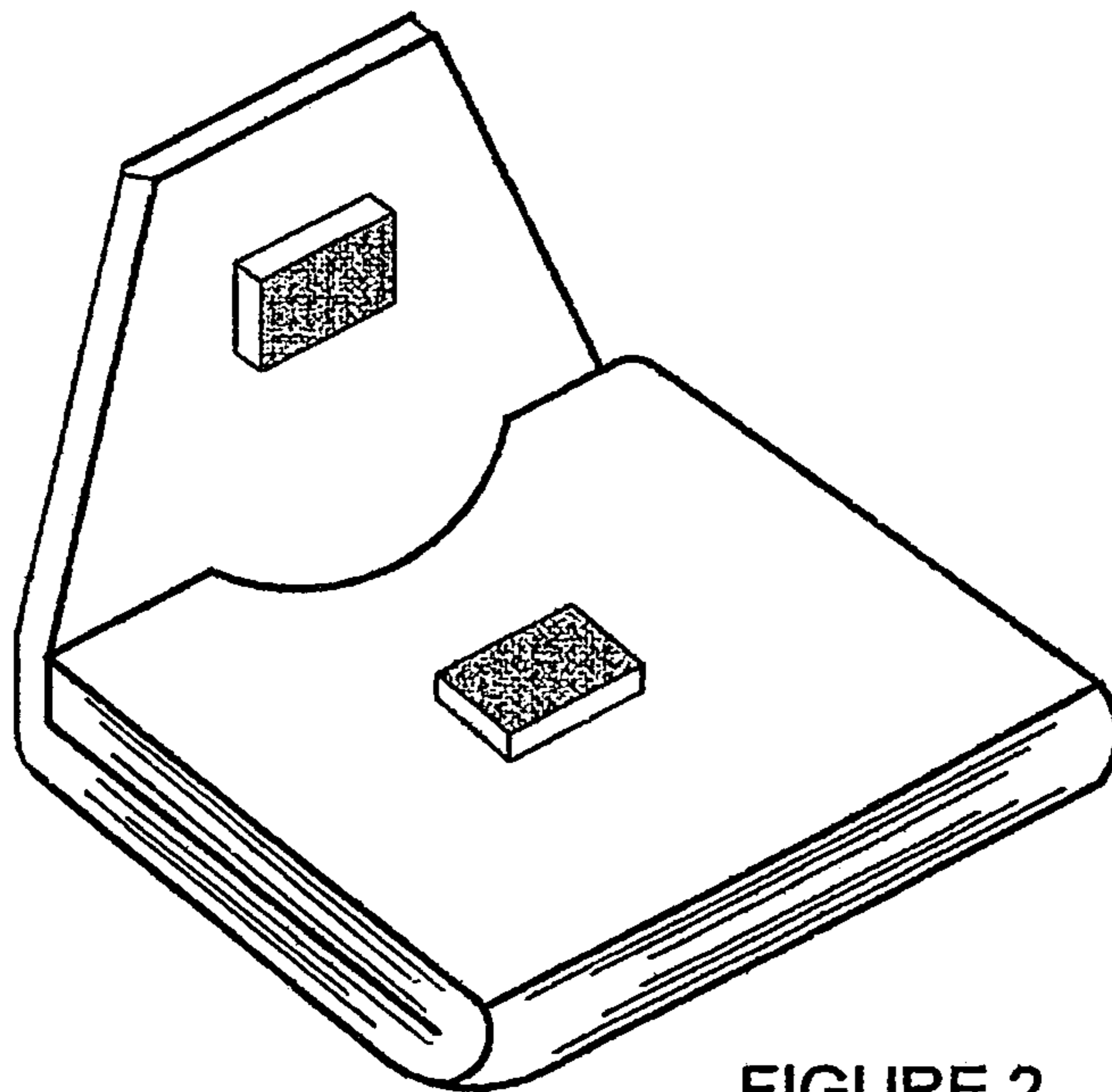


FIGURE 2

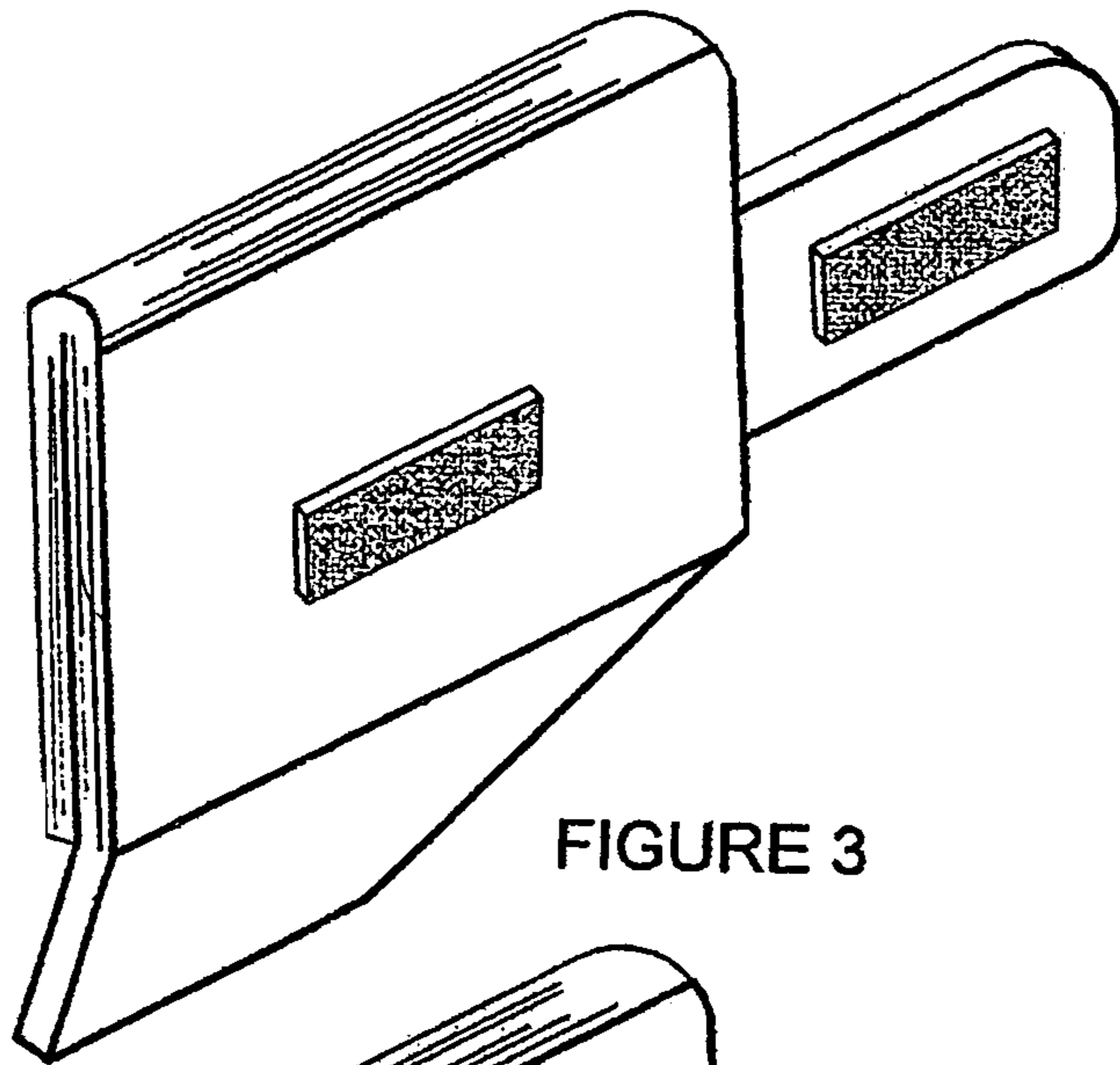


FIGURE 3

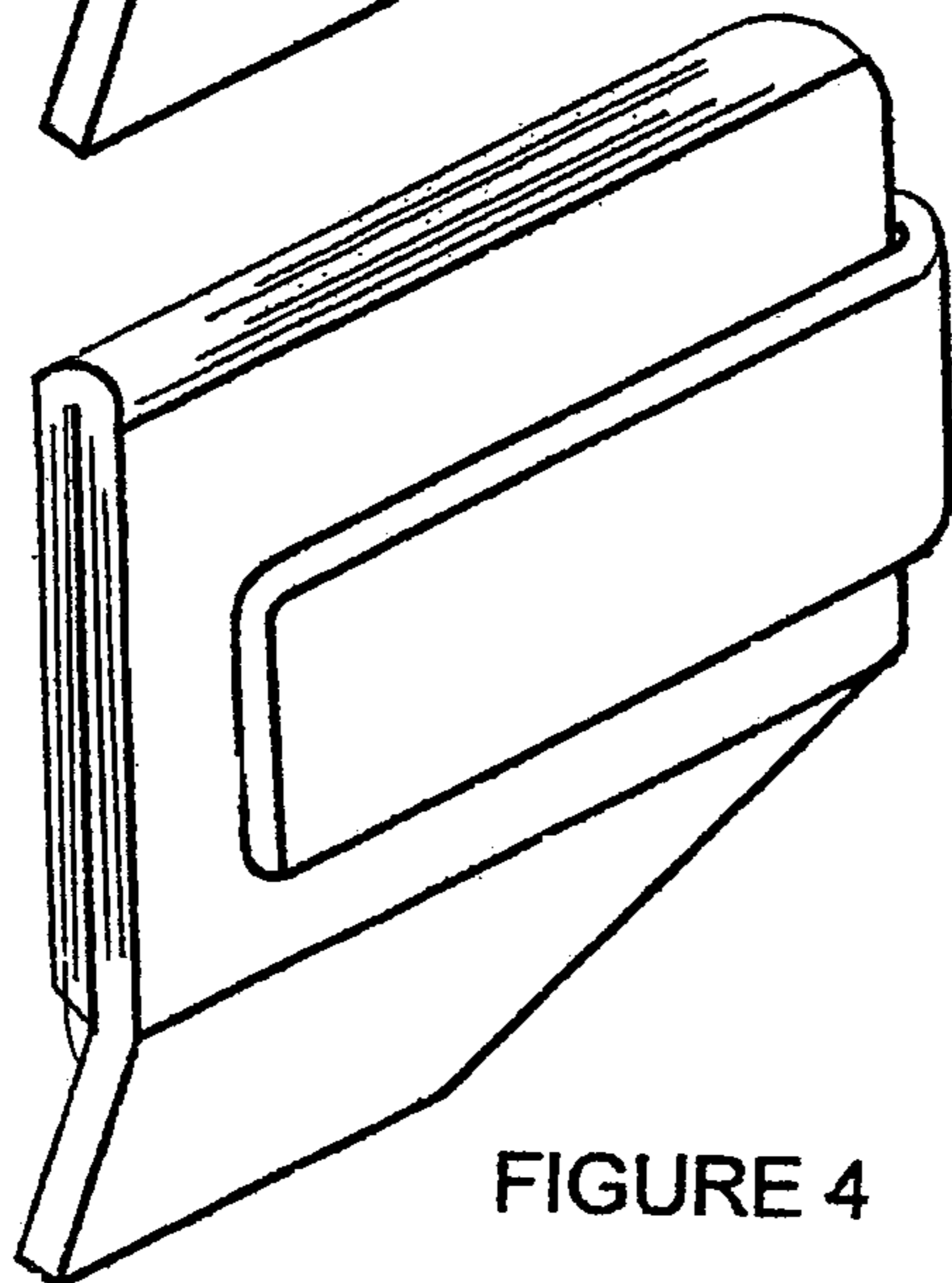


FIGURE 4