



US00D700772S

(12) **United States Design Patent**  
**Akin et al.**

(10) **Patent No.:** **US D700,772 S**  
(45) **Date of Patent:** **\*\* Mar. 11, 2014**

- (54) **UMBRELLA CAP**
- (71) Applicant: **ZON**, Manhattan Beach, CA (US)
- (72) Inventors: **Sarah Akin**, Manhattan Beach, CA (US); **David Johnson**, San Francisco, CA (US)
- (73) Assignee: **ZON**, Manhattan Beach, CA (US)
- (\*\*) Term: **14 Years**
- (21) Appl. No.: **29/461,657**
- (22) Filed: **Jul. 26, 2013**
- (51) **LOC (10) Cl.** ..... **03-03**
- (52) **U.S. Cl.**  
USPC ..... **D3/5; D3/10**
- (58) **Field of Classification Search**  
USPC ..... **D3/5, 10; 135/15.1, 33.2, 20.1**  
See application file for complete search history.

7,000,624	B2	2/2006	Chang	
7,013,903	B2	3/2006	Li	
7,562,667	B2	7/2009	Li	
D623,844	S *	9/2010	Elder	D3/5
D637,389	S *	5/2011	Beaulieu	D3/10
D638,622	S *	5/2011	He	D3/5
D668,443	S	10/2012	Sims, II	
8,360,079	B2	1/2013	Li	
D684,353	S *	6/2013	Grohs	D3/5
2002/0078986	A1 *	6/2002	Tsun	135/33.7

\* cited by examiner

*Primary Examiner* — John Windmuller  
(74) *Attorney, Agent, or Firm* — Aka Chan LLP

(57) **CLAIM**  
The ornamental design for an umbrella cap, as shown described.

**DESCRIPTION**

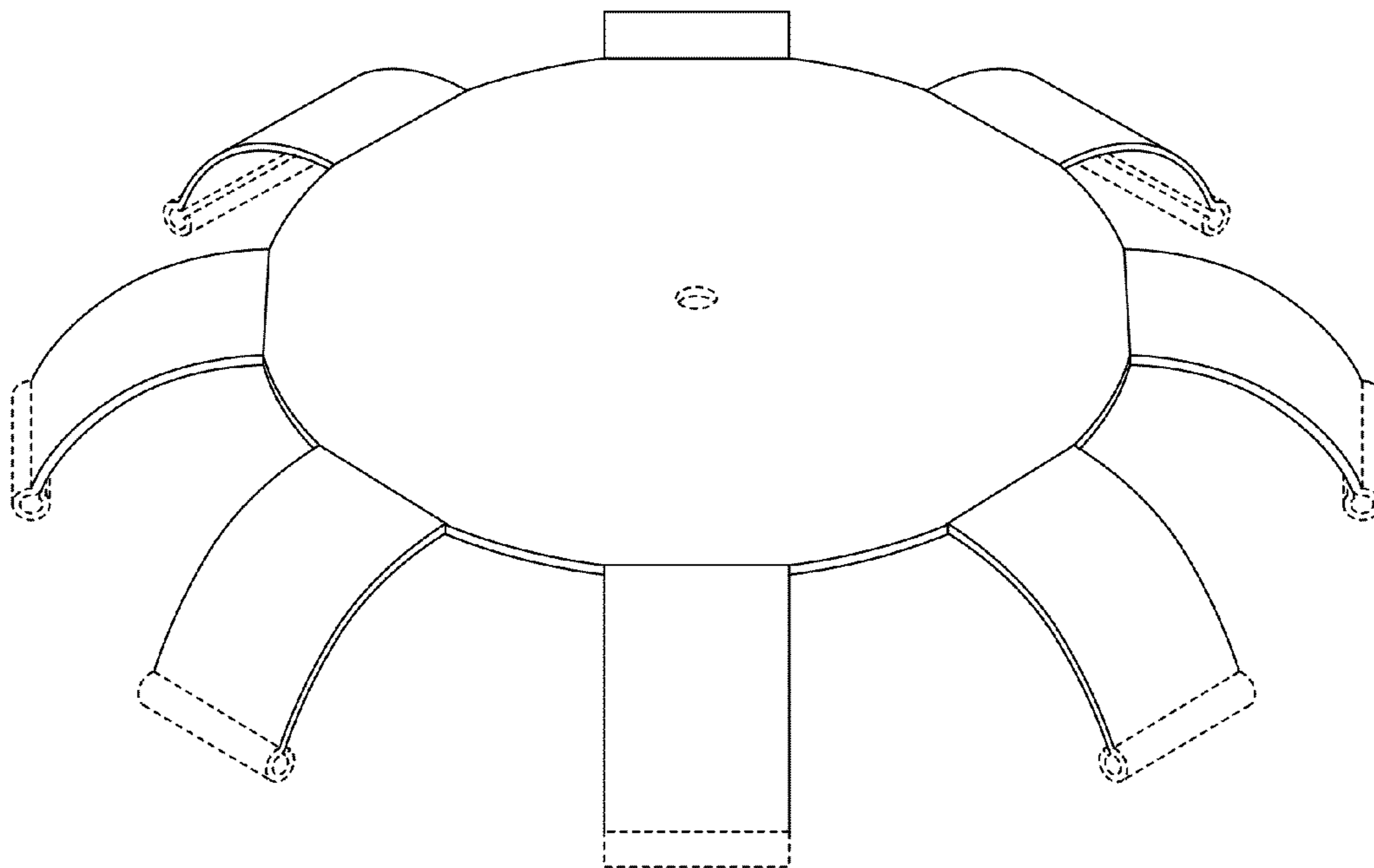
FIG. 1 shows a perspective view of a design for an umbrella cap.  
 FIG. 2 shows a first side view of the design.  
 FIG. 3 shows a second side view of the design, rotated 1/16 of a turn relative to the first side view in FIG. 2.  
 FIG. 4 shows a top view of the design; and,  
 FIG. 5 shows a perspective view of the design in use in an umbrella.  
 The broken-line features in the figures are for illustrative purposes only and form no part of the claimed design. The umbrella in FIG. 5 is unclaimed environmental subject matter.

**1 Claim, 5 Drawing Sheets**

(56) **References Cited**

U.S. PATENT DOCUMENTS

2,571,634	A *	10/1951	Von Gunten	135/26
2,679,256	A *	5/1954	Bocchino et al.	135/20.2
3,456,661	A *	7/1969	Farley	135/33.7
4,193,389	A	3/1980	Ku	
4,836,232	A *	6/1989	De Rosa et al.	135/99
D345,645	S *	4/1994	Good	D3/5
D371,902	S *	7/1996	Lee	D3/5
6,830,058	B2	12/2004	Li	
6,923,058	B2	8/2005	Nieman et al.	



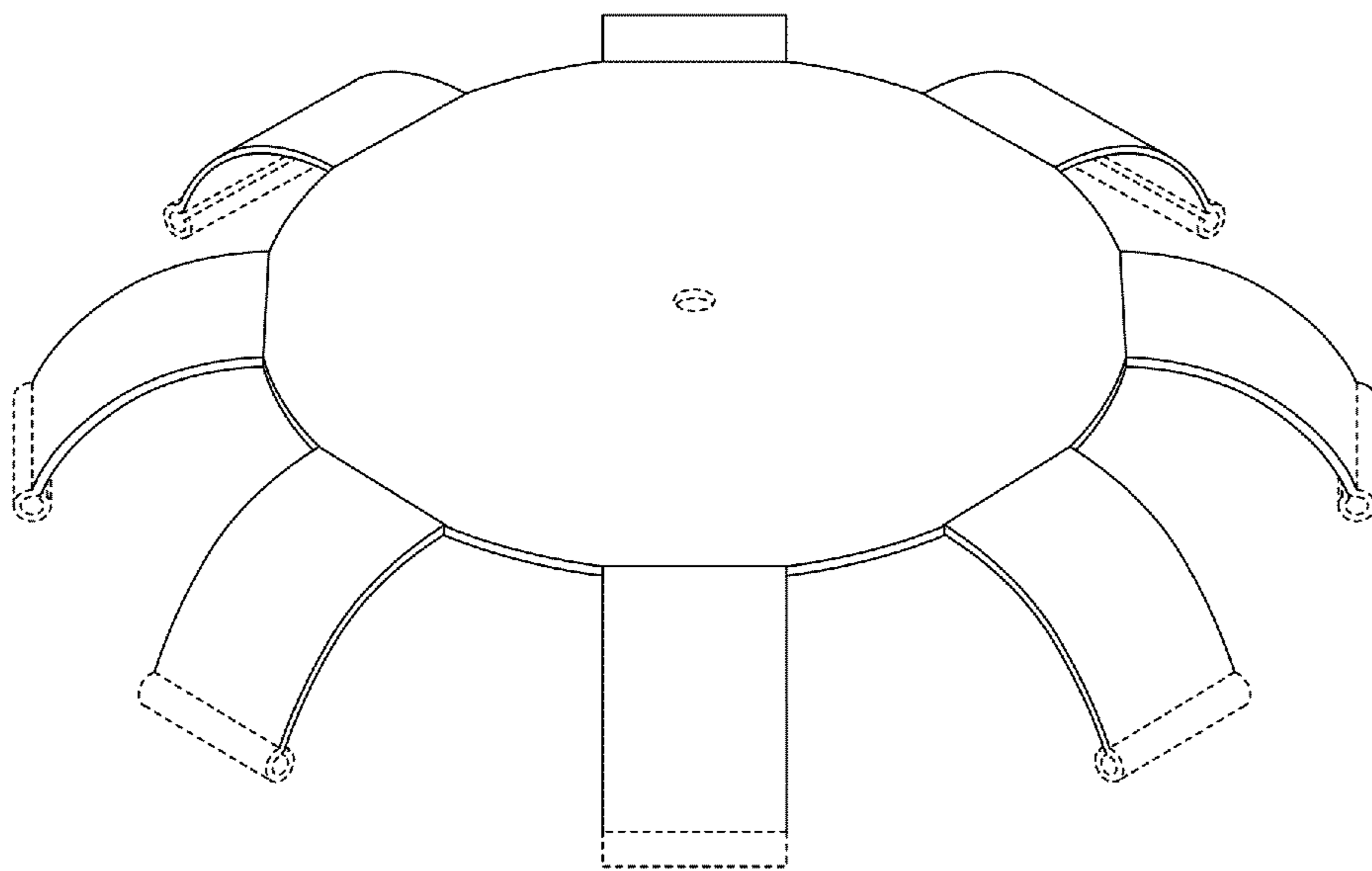


FIG. 1

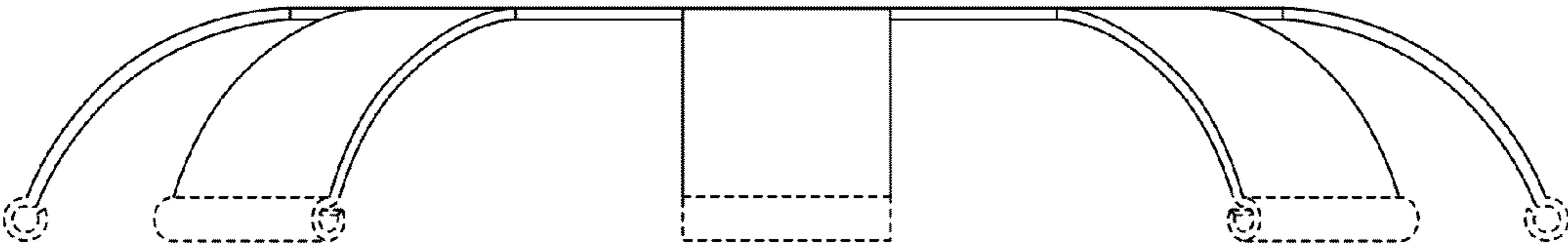


FIG. 2

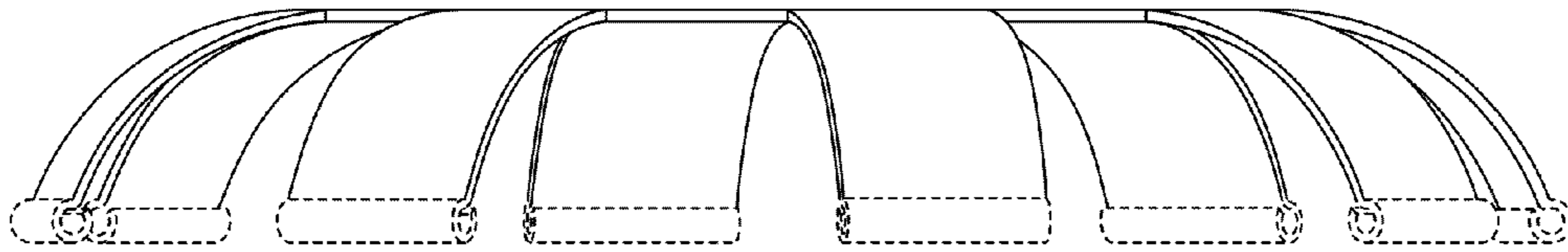


FIG. 3

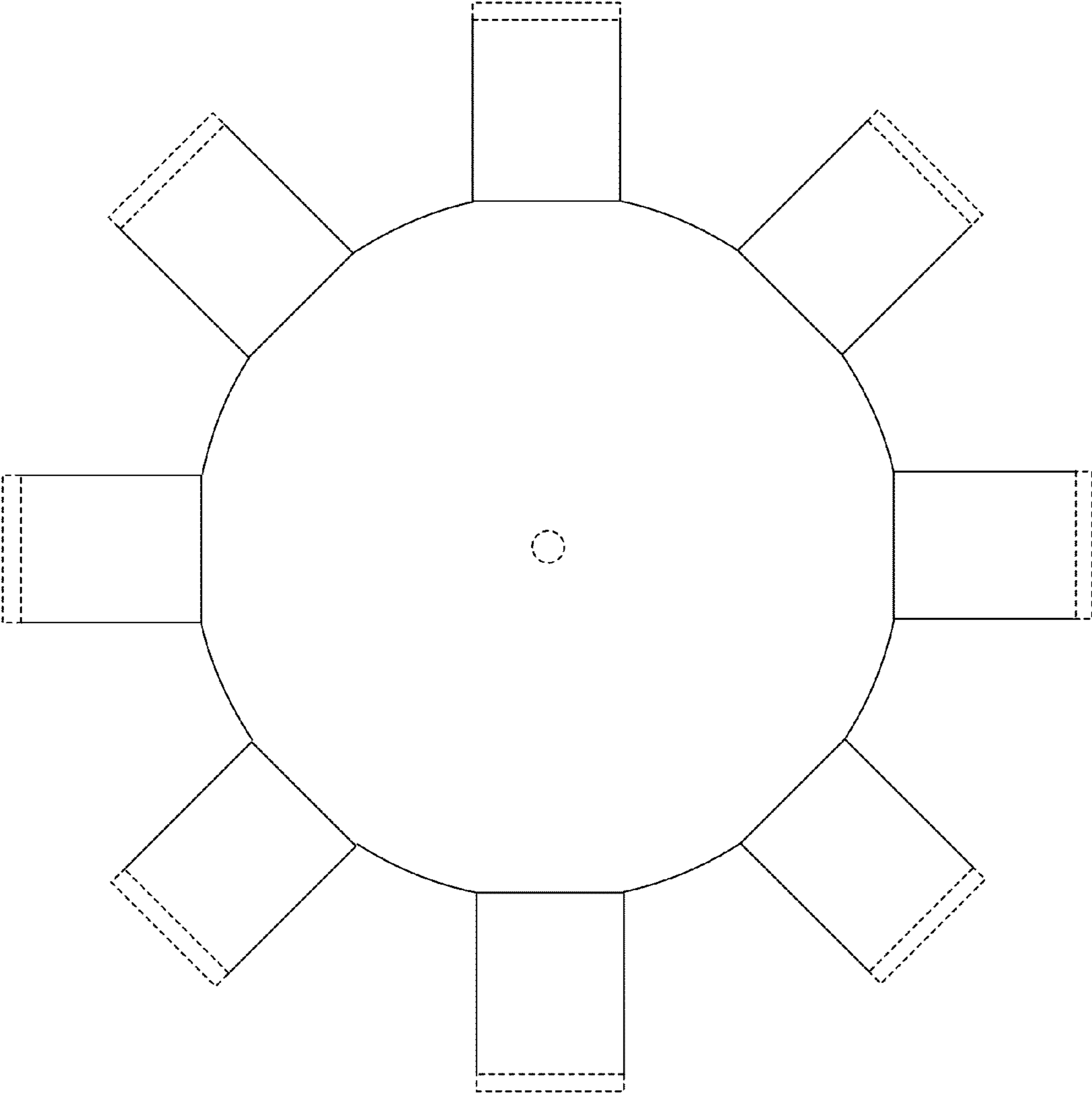


FIG. 4

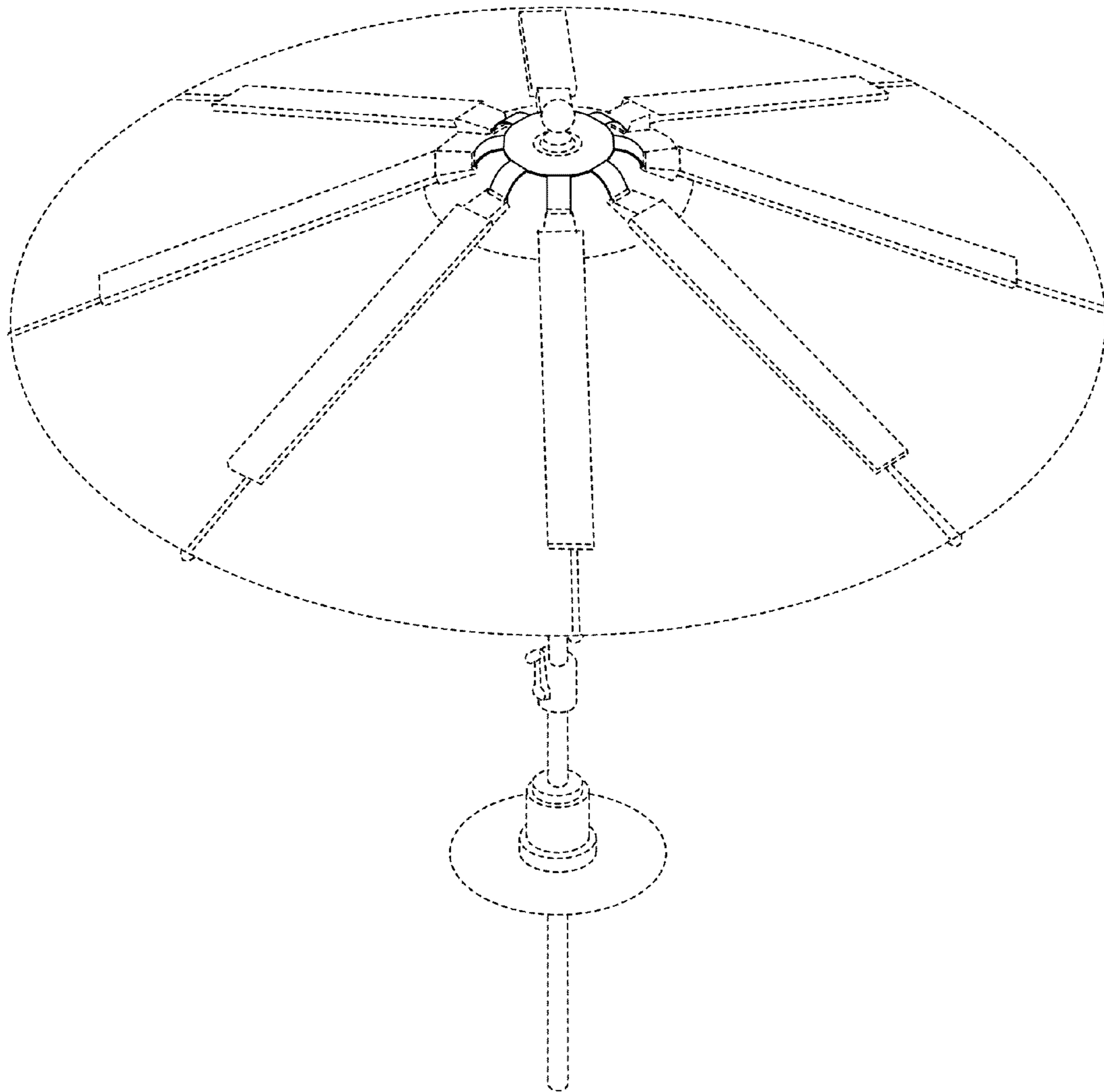


FIG. 5