



US00D700771S

(12) **United States Design Patent**  
**Rauner**

(10) **Patent No.:** **US D700,771 S**  
(45) **Date of Patent:** **\*\* Mar. 11, 2014**

(54) **SHOE UPPER**

(71) Applicant: **CONVERSE, Inc.**, North Andover, MA (US)

(72) Inventor: **Amy N. Rauner**, Somerville, MA (US)

(73) Assignee: **CONVERSE, Inc.**, North Andover, MA (US)

(\*\*) Term: **14 Years**

(21) Appl. No.: **29/465,806**

(22) Filed: **Aug. 30, 2013**

(51) **LOC (10) Cl.** ..... **02-99**

(52) **U.S. Cl.**  
USPC ..... **D2/972**

(58) **Field of Classification Search**  
USPC ..... D2/902, 906-908, 919-922, 944, 946,  
D2/947, 962, 969, 972-974; 36/45, 50.1,  
36/77 M, 77 R, 83, 88, 113, 114, 126-131,  
36/134, 4, 10

See application file for complete search history.

(56) **References Cited**

**U.S. PATENT DOCUMENTS**

D128,617 S *	8/1941	Brady	.....	D2/972
D153,259 S *	4/1949	Braun	.....	D2/974
D164,517 S *	9/1951	Sandler	.....	D2/972
4,693,018 A	9/1987	Maleyko		
D293,158 S	12/1987	Campbell		
D302,899 S *	8/1989	Brown	.....	D2/972
D430,969 S	9/2000	Portaud et al.		
D475,188 S	6/2003	Nau		
D475,192 S	6/2003	Nau		
D533,339 S *	12/2006	Edwards	.....	D2/972
D555,333 S	11/2007	Riebesell		
D582,651 S	12/2008	Andersen		
D589,241 S	3/2009	Le		
D599,539 S	9/2009	St-Louis		
D604,484 S	11/2009	Lauro		

D616,184 S	5/2010	Ng		
D634,529 S	3/2011	Ferreira		
D636,576 S	4/2011	MacIntyre		
D638,615 S *	5/2011	McMillan	.....	D2/946
D656,724 S	4/2012	Ferreira		

**OTHER PUBLICATIONS**

Nike Footwear Catalog, 2002 Holiday: Men's and Women's Footwear, p. 84, published Mar. 2002, NIKE, Inc., USA.

Nike Footwear Catalog, 2003 Holiday: Men's, Women's, and Kids' Footwear, p. 88, published Mar. 2003, NIKE, Inc., USA.

Converse Footwear Catalog, 2014 Spring Summer Sneakers. p. 45, published date unknown, but prior to the filing of the present application.

Pictures of Converse Chuck Taylor Super Flame Kids Shoe, Converse, Inc., 5 color pictures (3 sheets), date unknown but prior to the filing date of the current application.

\* cited by examiner

*Primary Examiner* — Dominic Simone

(74) *Attorney, Agent, or Firm* — Banner & Witcoff, Ltd.

(57) **CLAIM**

The ornamental design for a shoe upper, as shown and described.

**DESCRIPTION**

FIG. 1 is a front perspective view of a shoe upper showing my new design;

FIG. 2 is a side view thereof;

FIG. 3 is a second side view thereof;

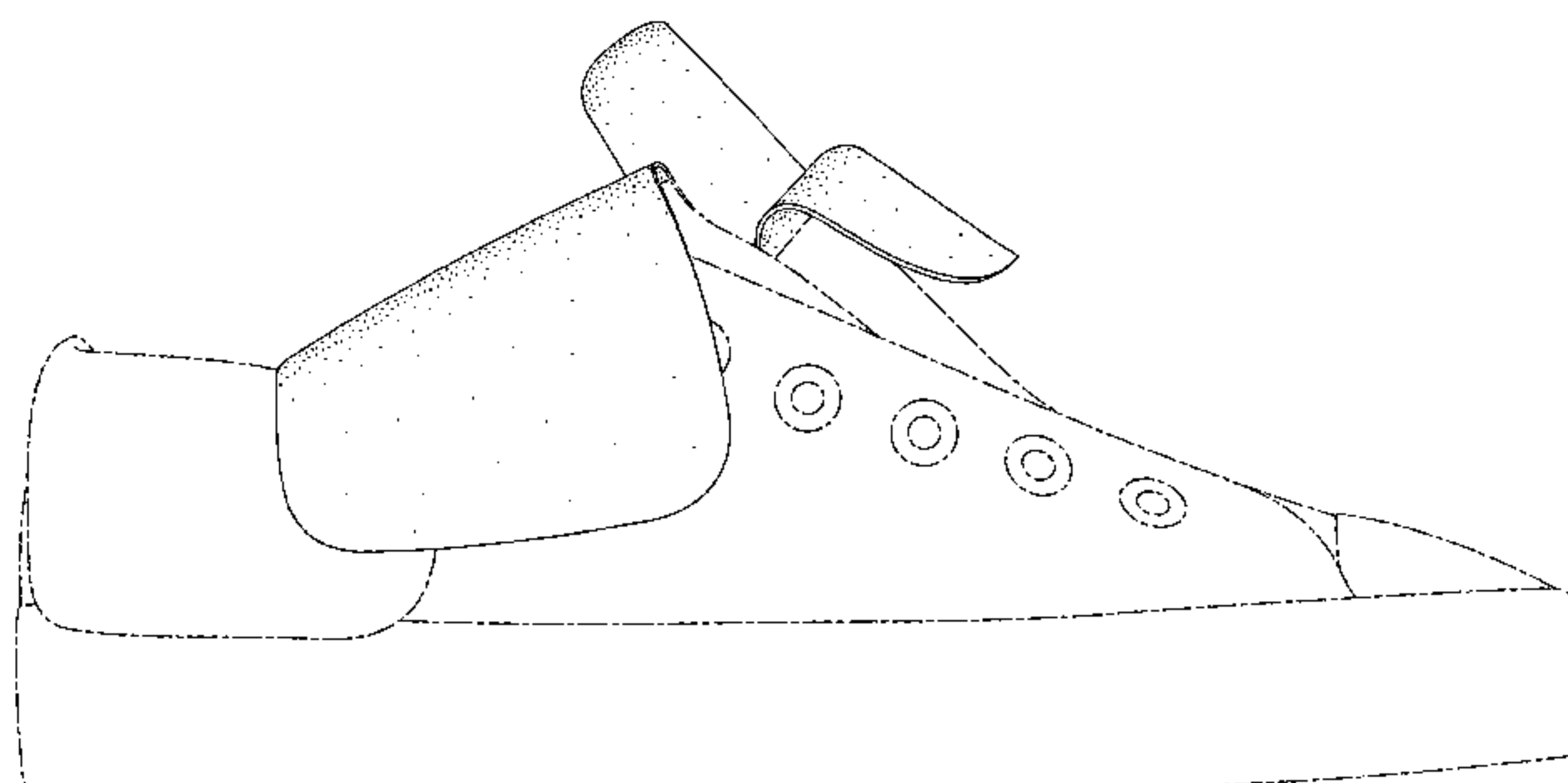
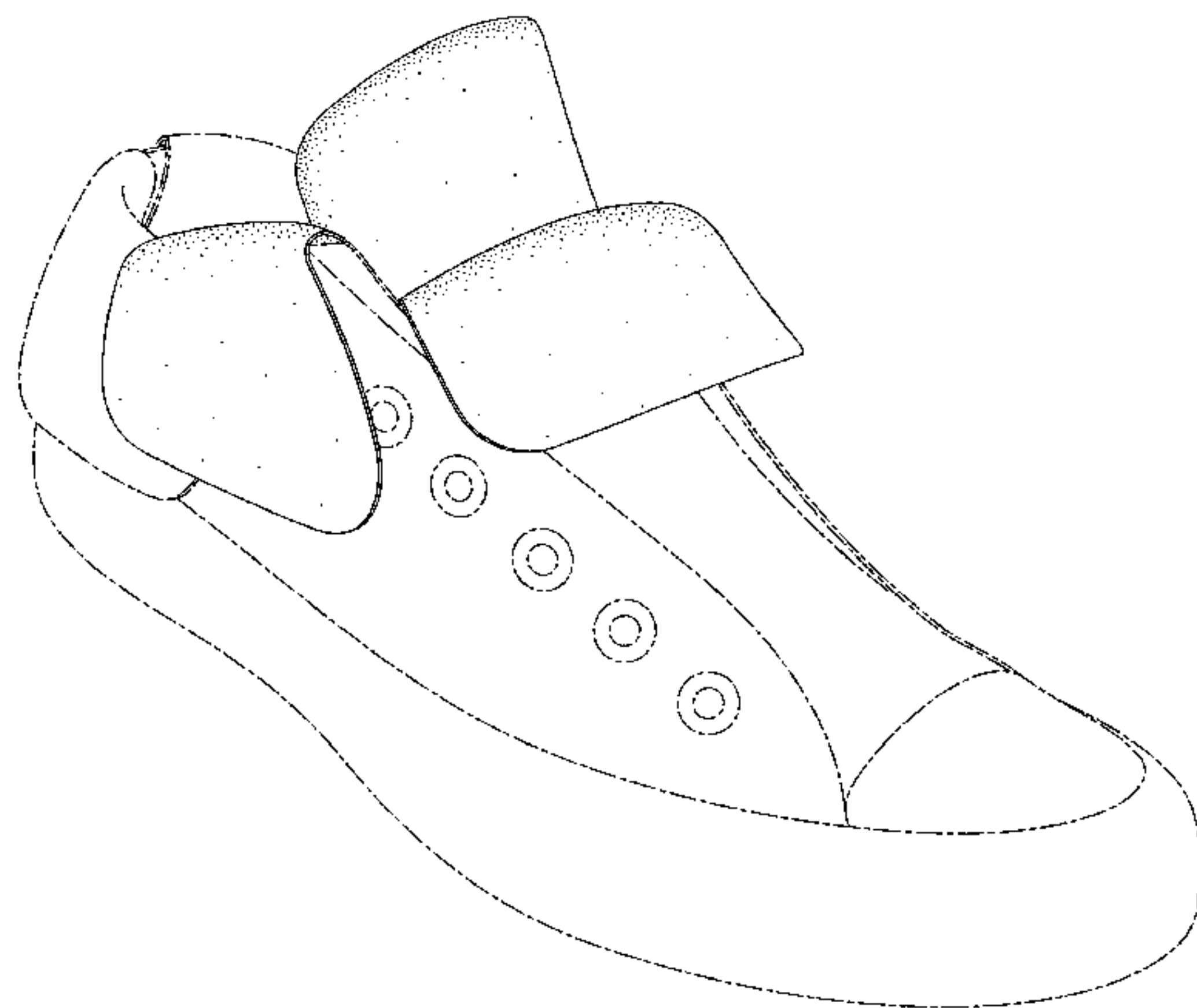
FIG. 4 is a toe view thereof; and,

FIG. 5 is a top view thereof.

The broken lines immediately adjacent to the front and rear of the shaded area represent unclaimed boundaries of the design.

The broken lines showing the remainder of the shoe are for environmental purposes only and form no part of the claimed design.

**1 Claim, 5 Drawing Sheets**



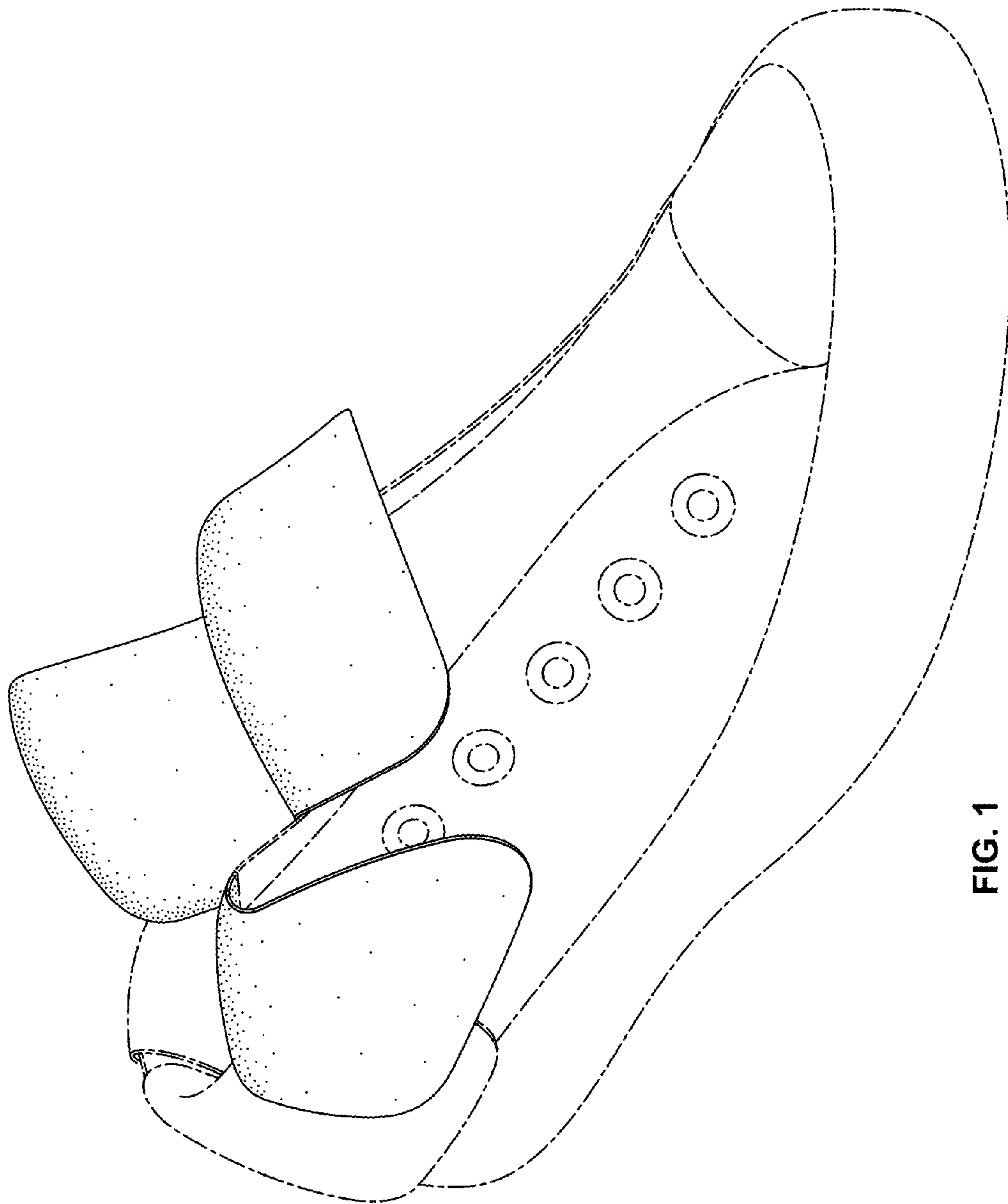


FIG. 1

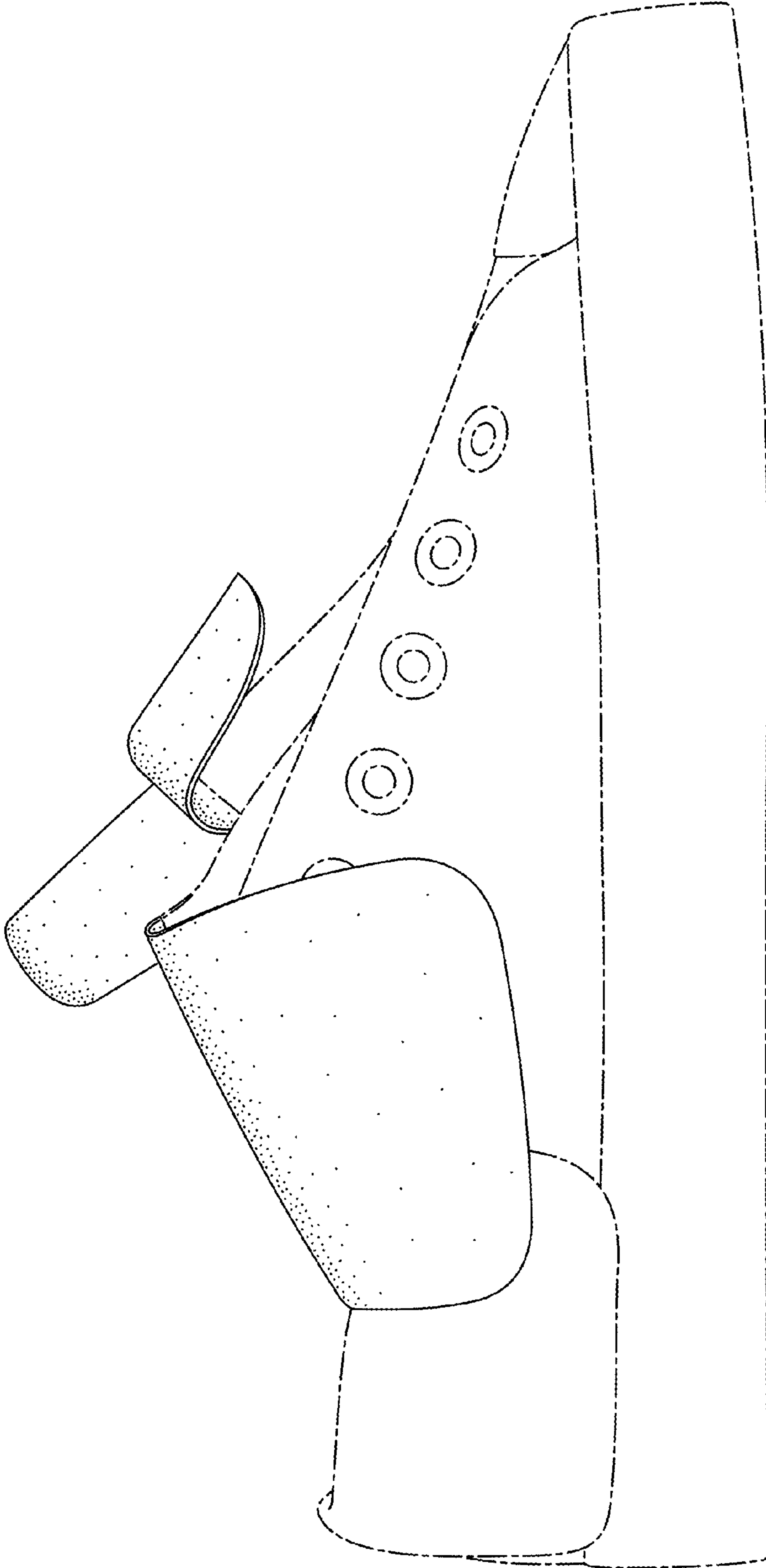


FIG. 2

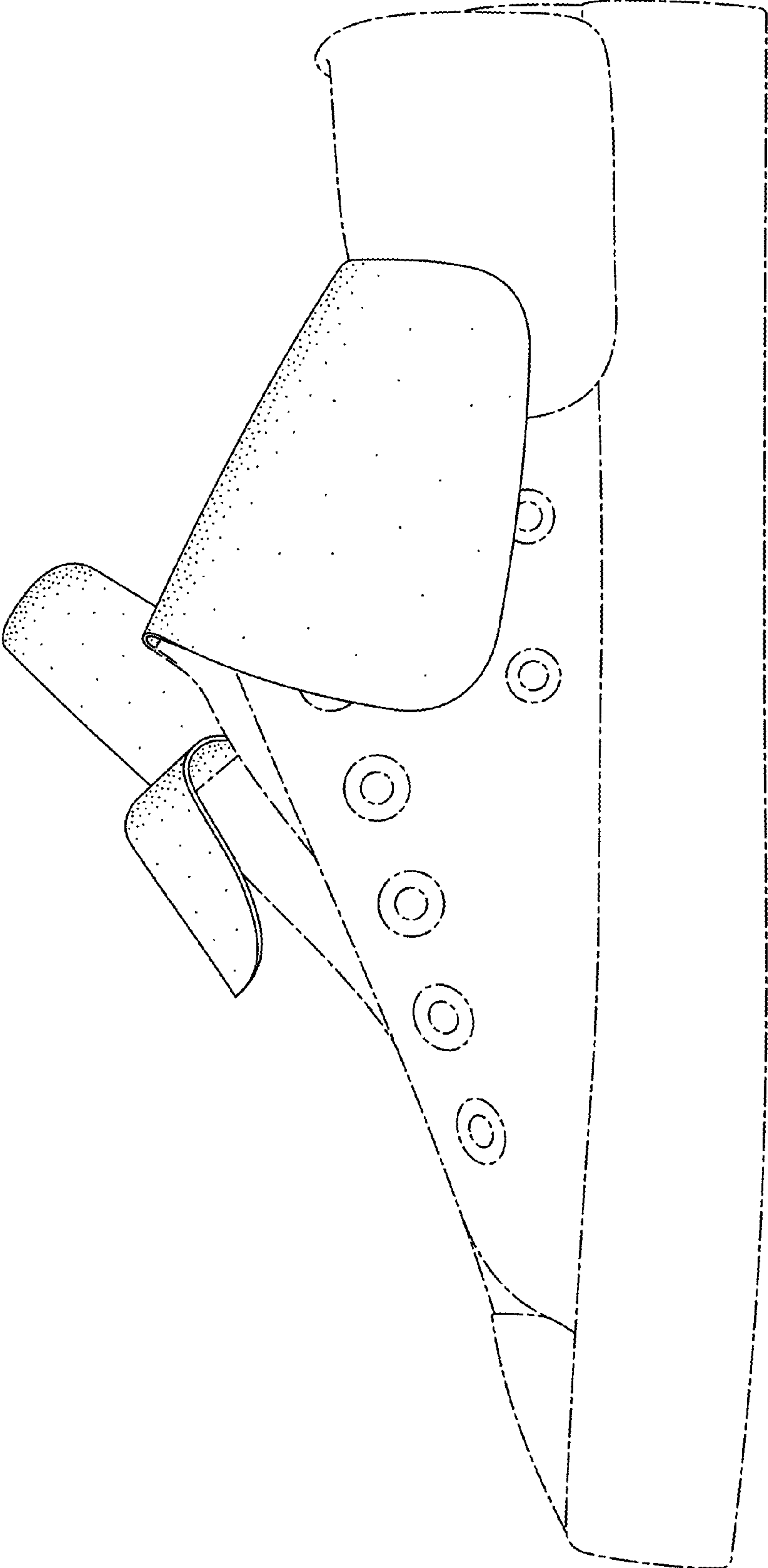


FIG. 3

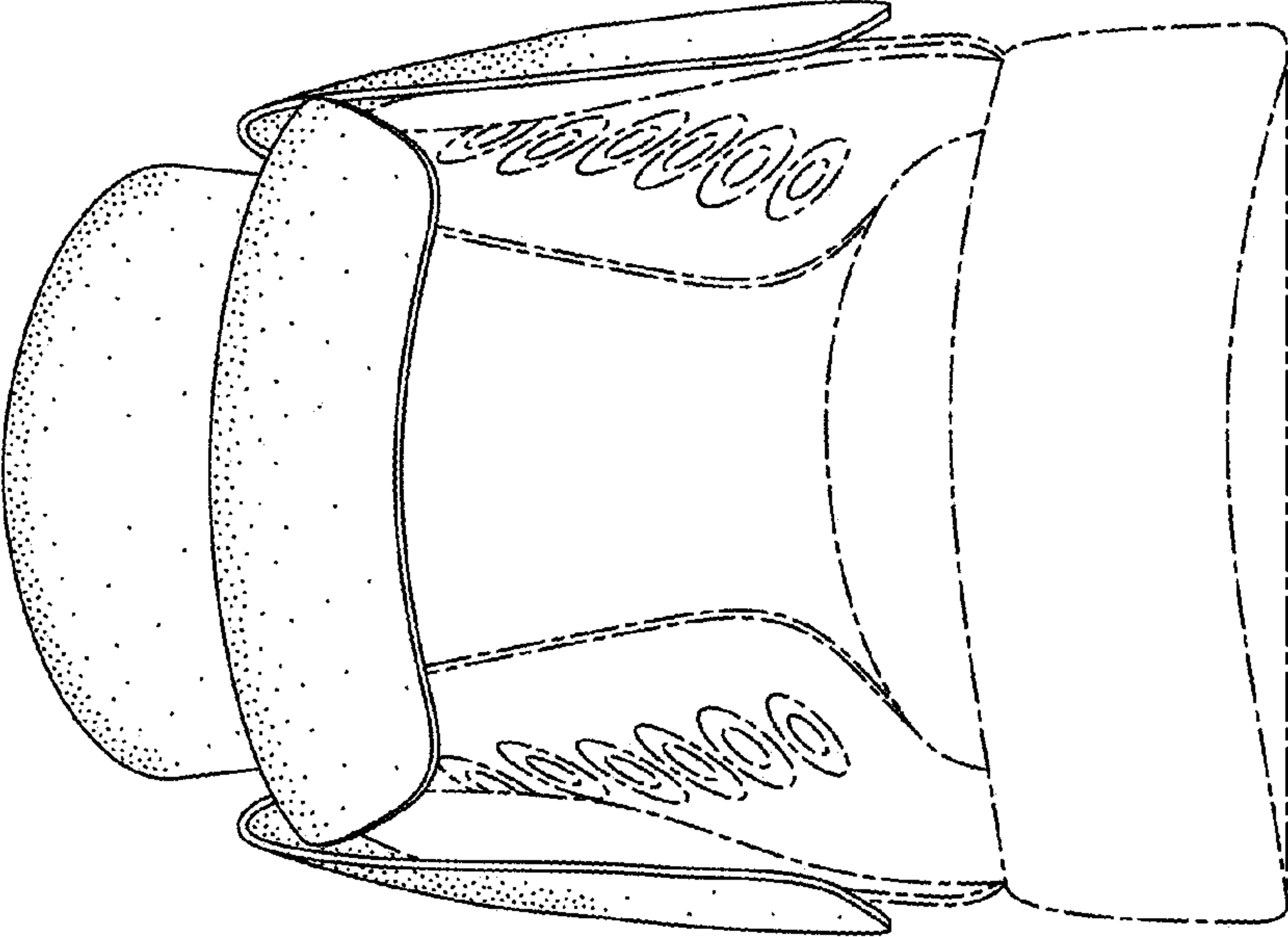


FIG. 4

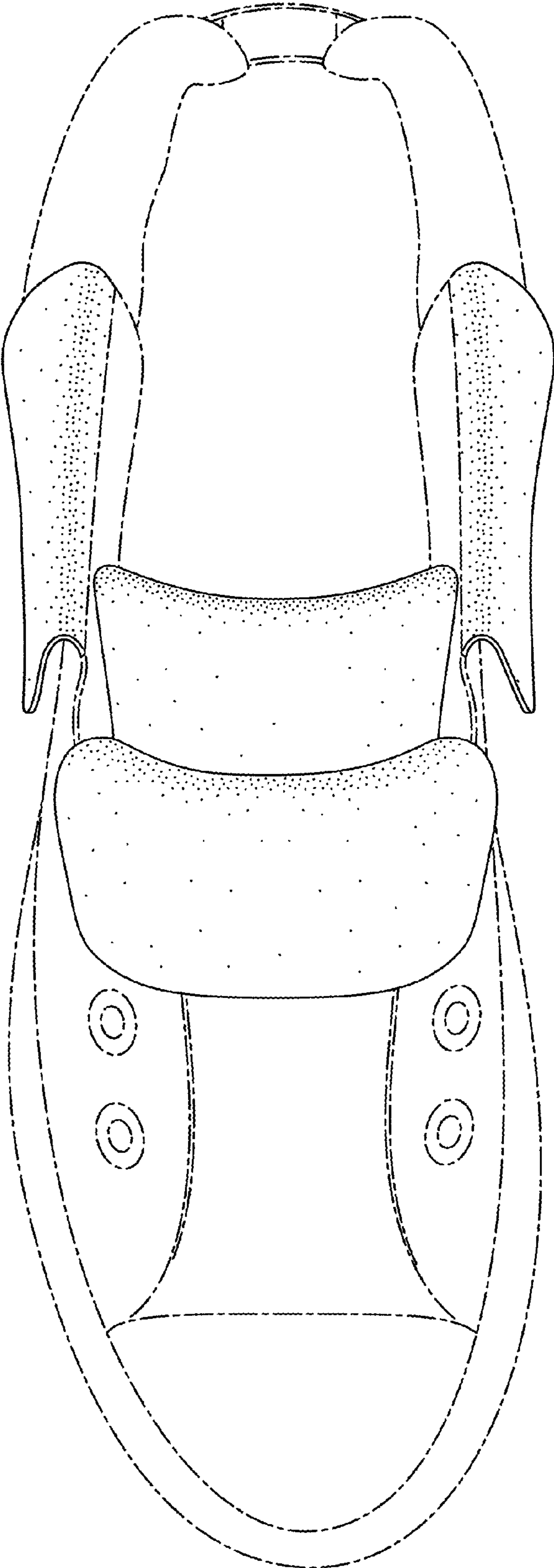


FIG. 5