



US00D700763S

(12) **United States Design Patent**
Sharp

(10) **Patent No.:** **US D700,763 S**
(45) **Date of Patent:** **** Mar. 4, 2014**

(54) **PALLET AND PRODUCT PROTECTOR**

(71) Applicant: **Geoffrey Richard Sharp**, Visalia, CA
(US)

(72) Inventor: **Geoffrey Richard Sharp**, Visalia, CA
(US)

(**) Term: **14 Years**

(21) Appl. No.: **29/440,178**

(22) Filed: **Dec. 19, 2012**

(51) **LOC (10) Cl.** **12-05**

(52) **U.S. Cl.**
USPC **D34/35**

(58) **Field of Classification Search**
USPC D34/34, 35; 414/785, 685, 679, 294;
187/222, 224; 280/43.12; 180/89.12,
180/299, 315

See application file for complete search history.

(56) **References Cited**

U.S. PATENT DOCUMENTS

| | | |
|-------------|---------|-------------------|
| 2,608,315 A | 8/1952 | Turner |
| 2,668,602 A | 2/1954 | Cushman |
| 2,801,876 A | 8/1957 | Palmer |
| 2,847,138 A | 8/1958 | Backofen et al. |
| 2,956,701 A | 10/1960 | Larson |
| 2,958,436 A | 11/1960 | Skutle et al. |
| 2,975,924 A | 3/1961 | Kopanski |
| 3,080,080 A | 3/1963 | Miller |
| 3,232,380 A | 2/1966 | Hansen |
| 3,272,287 A | 9/1966 | Easton |
| 3,556,328 A | 1/1971 | Miles et al. |
| 3,625,385 A | 12/1971 | Ide |
| 3,826,392 A | 7/1974 | Farley |
| 4,050,599 A | 9/1977 | Bender |
| 4,102,464 A | 7/1978 | Schuster |
| 4,106,650 A | 8/1978 | Blackstone et al. |
| D249,663 S | 9/1978 | Willett |
| 4,239,446 A | 12/1980 | Vucinic |
| 4,421,449 A | 12/1983 | Cotton |
| 4,505,635 A | 3/1985 | Shinoda et al. |

| | | |
|-------------|---------|---------------------|
| 4,708,576 A | 11/1987 | Conley |
| D297,848 S | 9/1988 | Burenga |
| 4,903,418 A | 2/1990 | Loudon |
| 5,087,167 A | 2/1992 | Johnston |
| D354,607 S | 1/1995 | Lanigan, Sr. et al. |
| D379,020 S | 4/1997 | Avitan |

(Continued)

FOREIGN PATENT DOCUMENTS

| | | |
|----|----------------|--------|
| EP | 0478245 A1 | 4/1992 |
| JP | 3141152 U | 4/2008 |
| WO | 2011/102918 A2 | 8/2011 |

OTHER PUBLICATIONS

International Preliminary Report on Patentability and the Written Opinion of the International Searching Authority, dated Aug. 21, 2012, as issued in corresponding International Patent Application No. PCT/US2011/020021, filed Jan. 3, 2011.

(Continued)

Primary Examiner — Cynthia Ramirez

(74) *Attorney, Agent, or Firm* — Maier & Maier, PLLC

(57) **CLAIM**

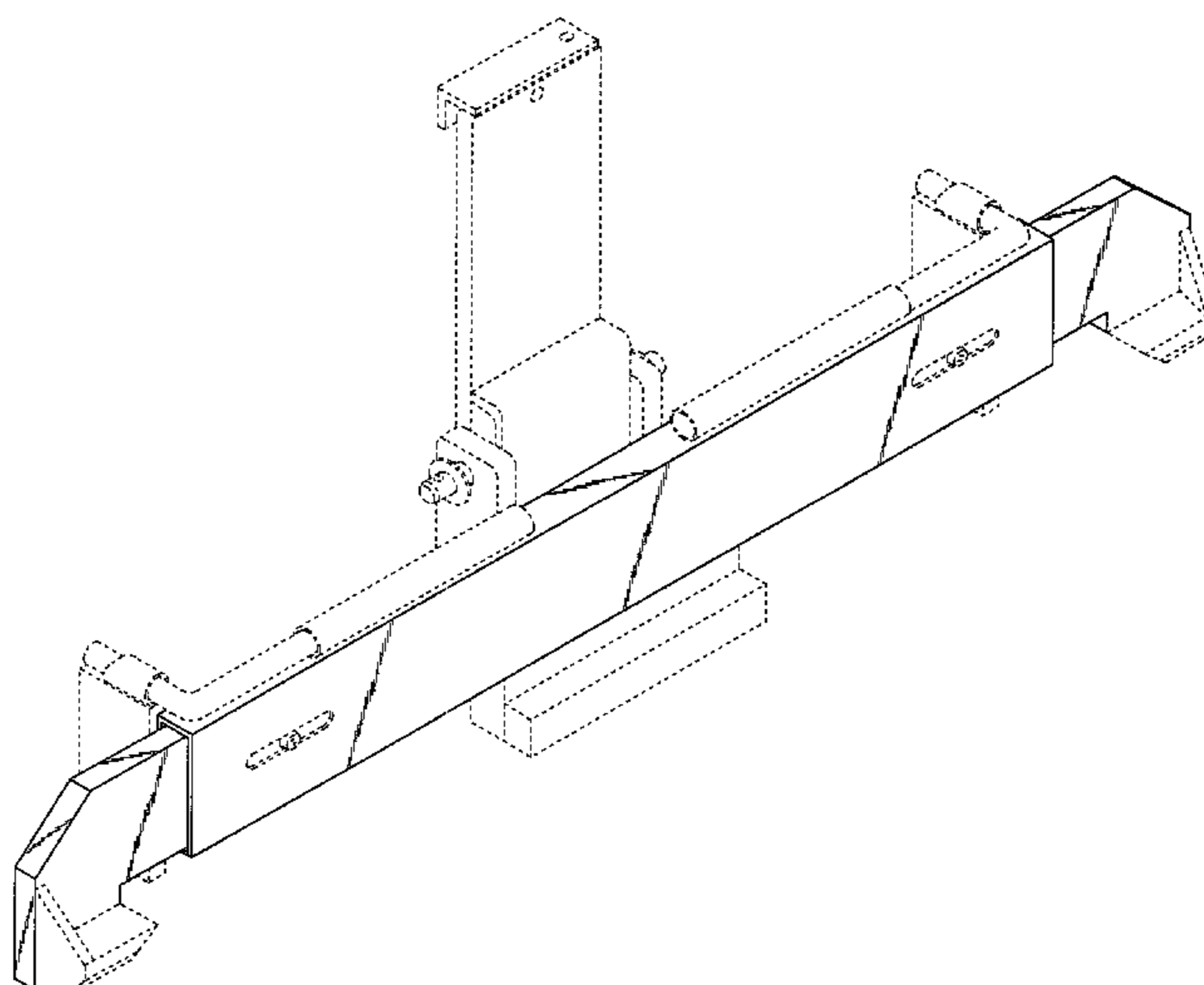
The ornamental design for a pallet and product protector, as shown and described.

DESCRIPTION

FIG. 1 is a front isometric view of a pallet and product protector, showing my design;
FIG. 2 is a front elevational view thereof;
FIG. 3 is a rear elevational view thereof;
FIG. 4 is a top plan view thereof;
FIG. 5 is a bottom plan view thereof;
FIG. 6 is a right side elevational view thereof; and,
FIG. 7 is a left side elevational view thereof.

The broken line showing in the drawings is included for the purpose of illustrating portions of the pallet and product protector and forms no part of the claimed design.

1 Claim, 5 Drawing Sheets



(56)

References Cited

U.S. PATENT DOCUMENTS

| | | | | |
|--------------|-----|---------|-------------------|--------|
| 5,618,159 | A | 4/1997 | Wilson | |
| D463,894 | S | 10/2002 | Ghafourian et al. | |
| 6,533,526 | B2 | 3/2003 | Lindgren et al. | |
| 6,672,823 | B2 | 1/2004 | Henning | |
| D504,200 | S | 4/2005 | Swedish et al. | |
| 6,902,039 | B2 | 6/2005 | Kunch | |
| D535,805 | S | 1/2007 | Stark | |
| 7,195,105 | B2 | 3/2007 | Tygard | |
| D551,423 | S | 9/2007 | Kodama et al. | |
| 7,588,409 | B2 | 9/2009 | Froni | |
| 7,632,055 | B2 | 12/2009 | Froni | |
| 7,730,599 | B2 | 6/2010 | Tyree | |
| D647,274 | S | 10/2011 | Sharp | |
| D649,735 | S * | 11/2011 | Sharp | D34/35 |
| D656,292 | S * | 3/2012 | Sharp | D34/35 |
| D659,940 | S * | 5/2012 | Sharp | D34/35 |
| 2003/0206792 | A1 | 11/2003 | Kunch | |
| 2005/0196265 | A1 | 9/2005 | Moore et al. | |
| 2008/0101907 | A1 | 5/2008 | Hedstrom et al. | |
| 2009/0008951 | A1 | 1/2009 | Whetstone et al. | |
| 2009/0095573 | A1 | 4/2009 | Goins | |
| 2009/0116945 | A1 | 5/2009 | White | |

| | | | |
|--------------|----|---------|----------------|
| 2009/0260924 | A1 | 10/2009 | Rice et al. |
| 2010/0101895 | A1 | 4/2010 | Collins et al. |
| 2011/0139546 | A1 | 6/2011 | Look |
| 2011/0198157 | A1 | 8/2011 | Sharp |

OTHER PUBLICATIONS

International Search Report and the Written Opinion of the International Searching Authority, dated Sep. 19, 2011, as issued in corresponding International Patent Application No. PCT/US2011/020021, filed Jan. 3, 2011.

International Search Report dated Sep. 19, 2011, as issued in corresponding International Patent Application No. PCT/US2011/020021, filed Jan. 3, 2011.

International Search Report and the Written Opinion of the International Searching Authority, dated Oct. 16, 2012, as issued in corresponding International Patent Application No. PCT/US2012/028884, filed Mar. 12, 2012.

International Search Report and the Written Opinion of the International Searching Authority, dated Nov. 14, 2012, as issued in corresponding International Patent Application No. PCT/US2012/021260, filed Jan. 13, 2012.

* cited by examiner

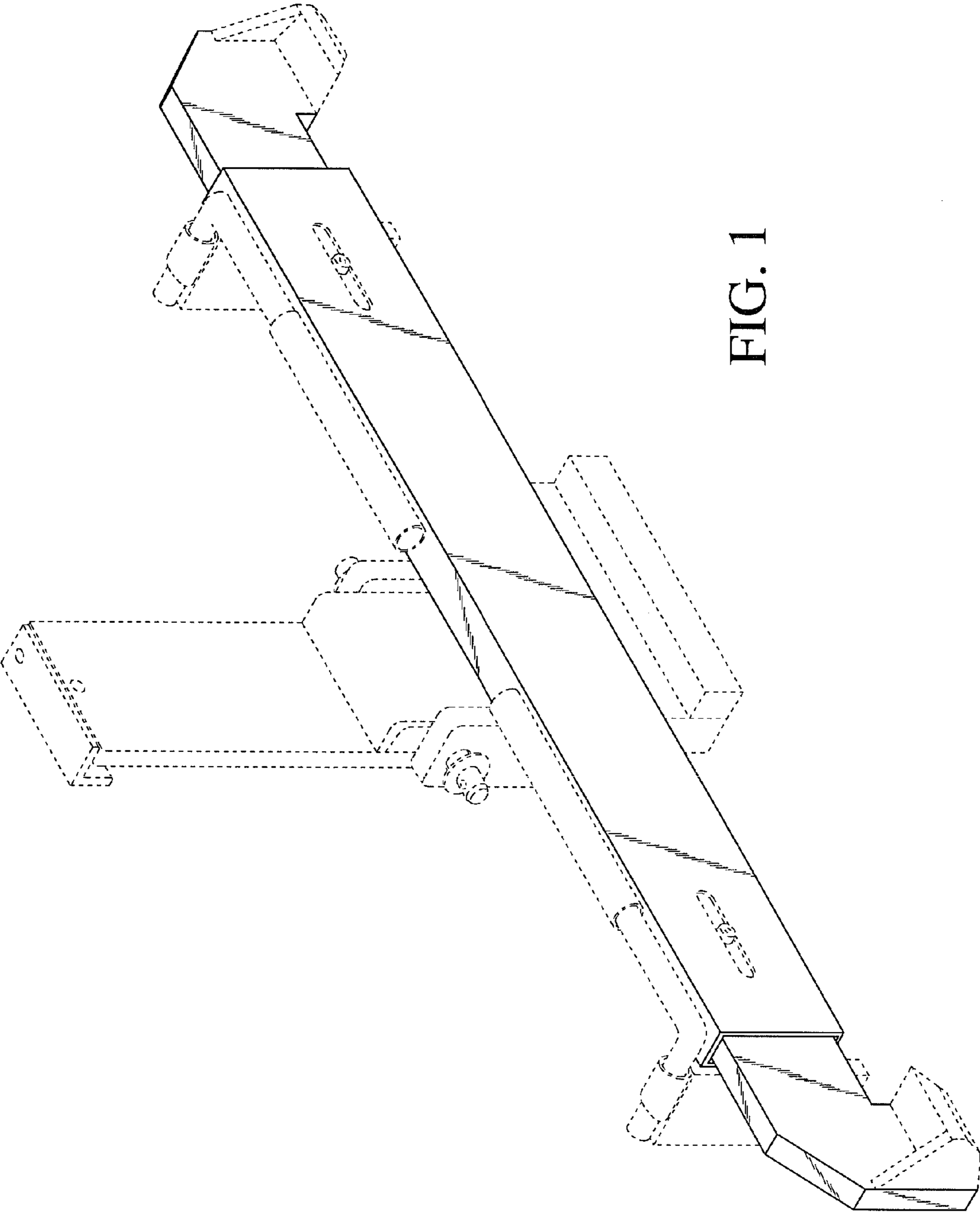


FIG. 1

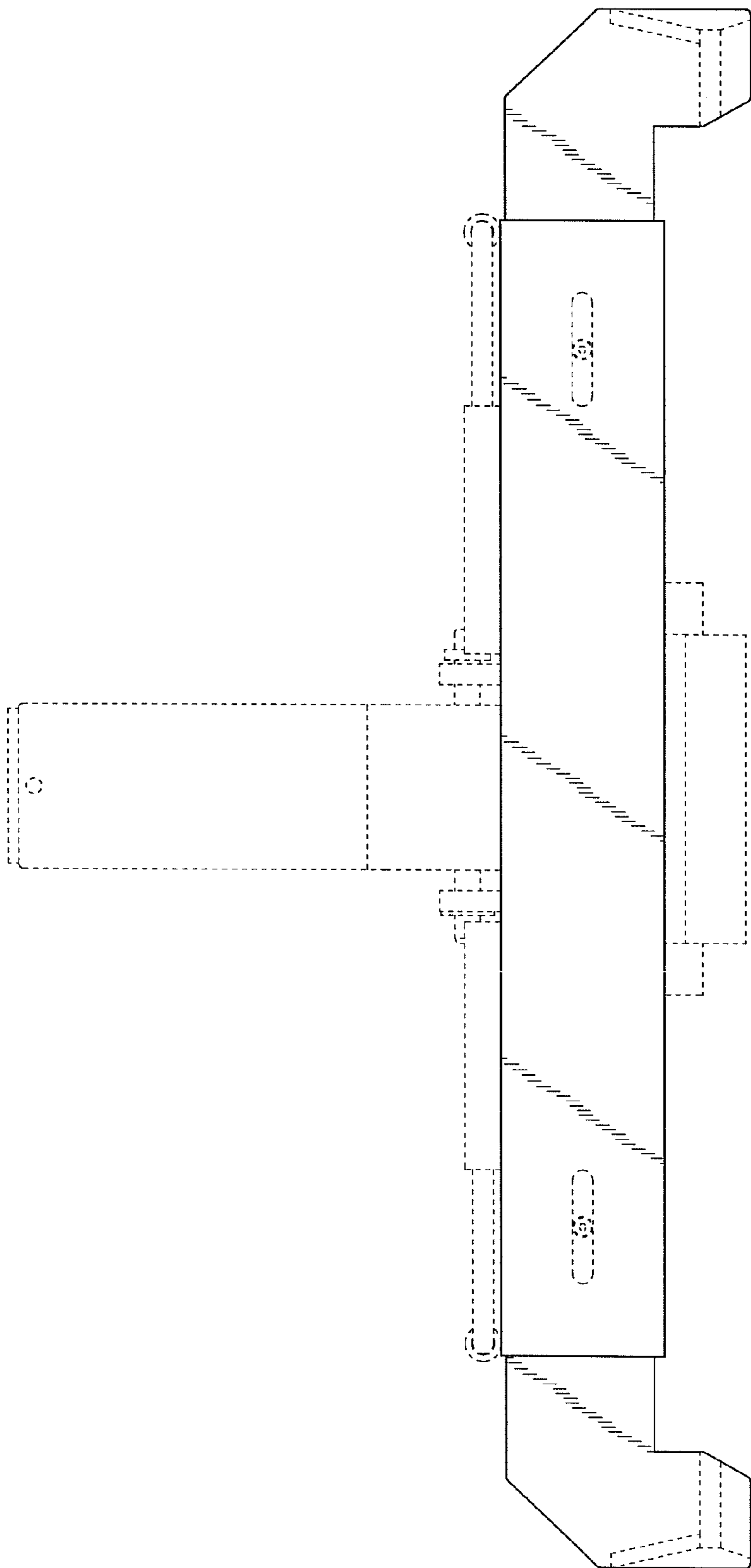


FIG. 2

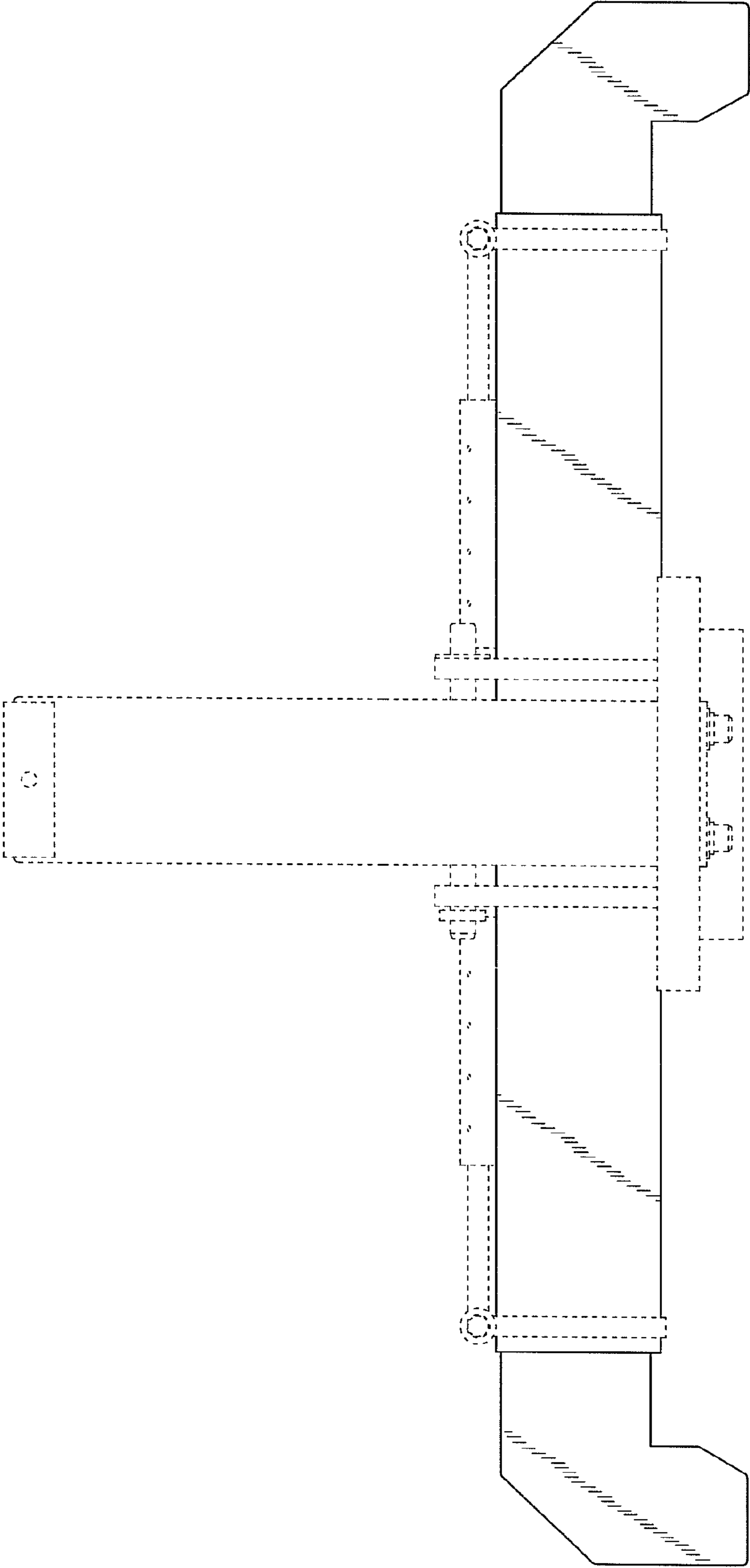


FIG. 3

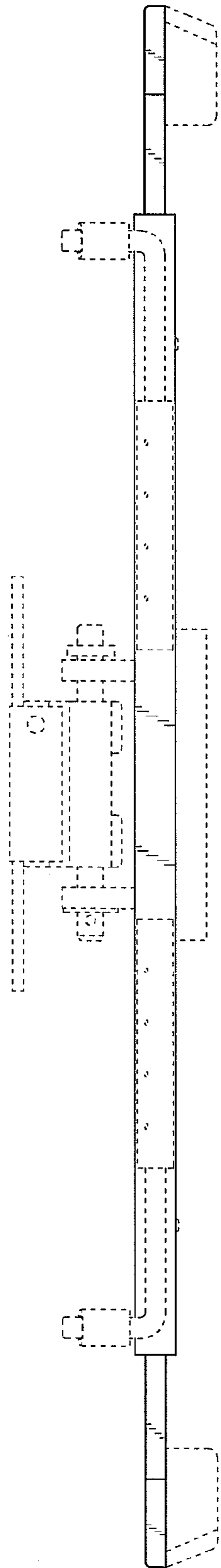


FIG. 4

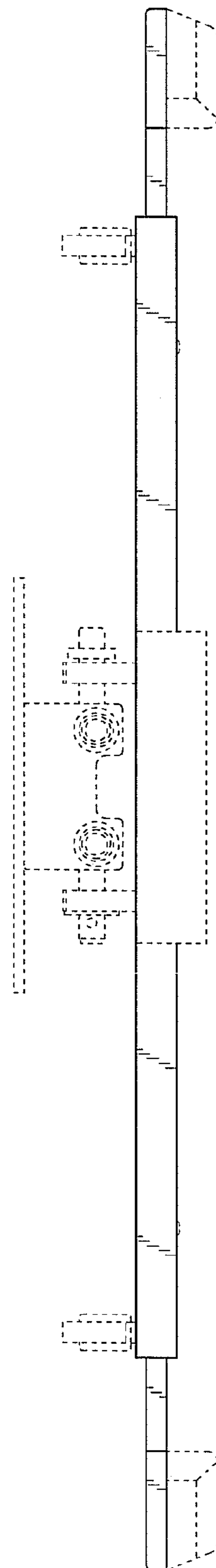


FIG. 5

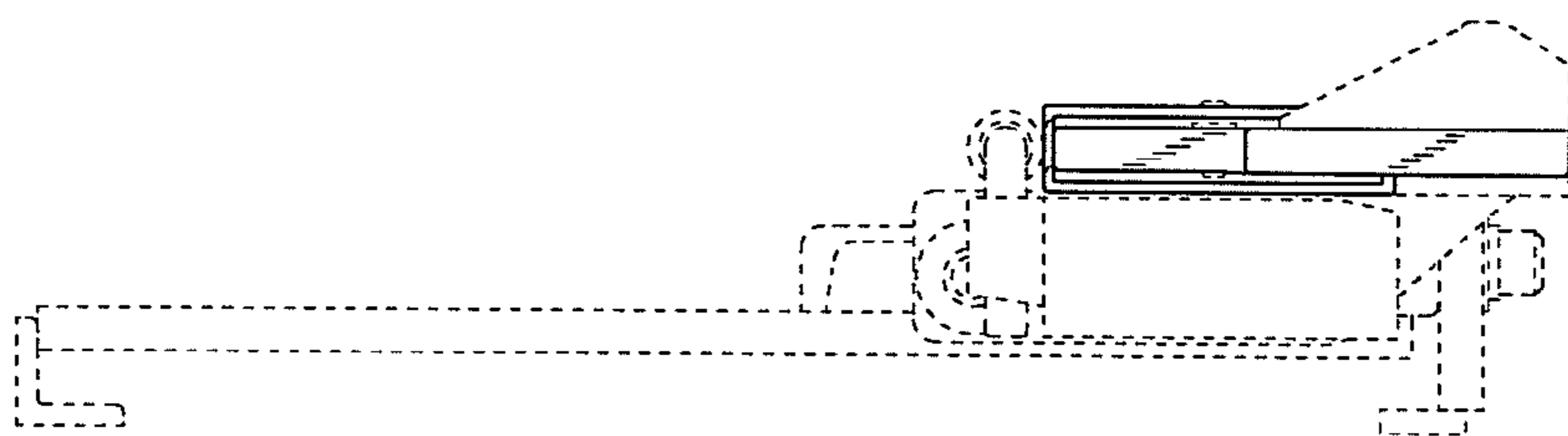


FIG. 7

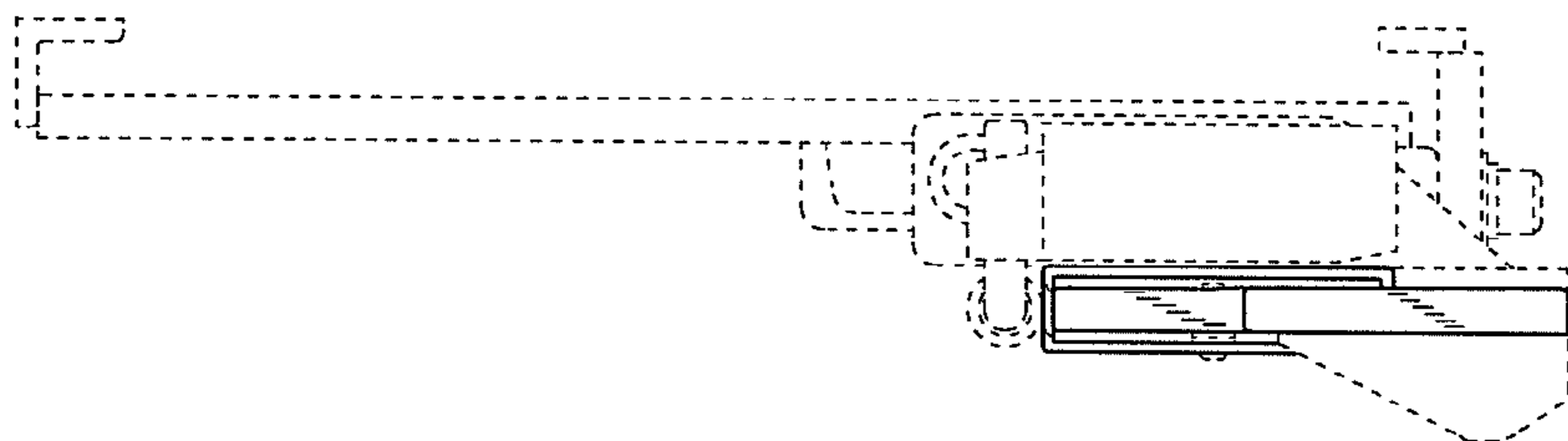


FIG. 6