



US00D700761S

(12) **United States Design Patent**
Libman et al.

(10) **Patent No.:** **US D700,761 S**
(45) **Date of Patent:** **** Mar. 4, 2014**

(54) **MOP**
(75) Inventors: **Robert J. Libman**, Arcola, IL (US);
Marco Bizzotto, Padua (IT)
(73) Assignee: **The Libman Company**, Arcola, IL (US)
(**) Term: **14 Years**
(21) Appl. No.: **29/413,942**
(22) Filed: **Feb. 22, 2012**
(51) **LOC (10) Cl.** **04-01**
(52) **U.S. Cl.**
USPC **D32/50**; D32/51
(58) **Field of Classification Search**
USPC D32/50-52, 40, 44, 45; 473/301, 302;
15/143.1, 119.2, 120.1, 120.2, 116.1,
15/116.2, 150, 209.1-210.1;
401/137-140; 16/430
See application file for complete search history.

6,487,745 B2 12/2002 Specht
D506,050 S * 6/2005 Lalanne et al. D32/45
7,039,969 B2 5/2006 Zorzo
D549,414 S * 8/2007 Van Landingham, Jr. D32/50
D563,068 S * 2/2008 Jiang et al. D32/50
D585,612 S * 1/2009 Soller et al. D32/50
D585,615 S * 1/2009 Enyuva D32/50
D586,513 S 2/2009 PZW Pho
D588,770 S * 3/2009 Koenig et al. D32/50
D597,718 S 8/2009 McNeil et al.
D625,480 S * 10/2010 Raven D32/50
D638,186 S * 5/2011 Yoon D32/50

(Continued)

OTHER PUBLICATIONS

UltraMax Flat Mop, Vileda, www.vileda.ca/en/mops/flat/ultramax.aspx, retrieved from Internet Apr. 27, 2012.

(Continued)

Primary Examiner — John Windmuller
(74) *Attorney, Agent, or Firm* — Banner & Witcoff, Ltd.

(56) **References Cited**

U.S. PATENT DOCUMENTS

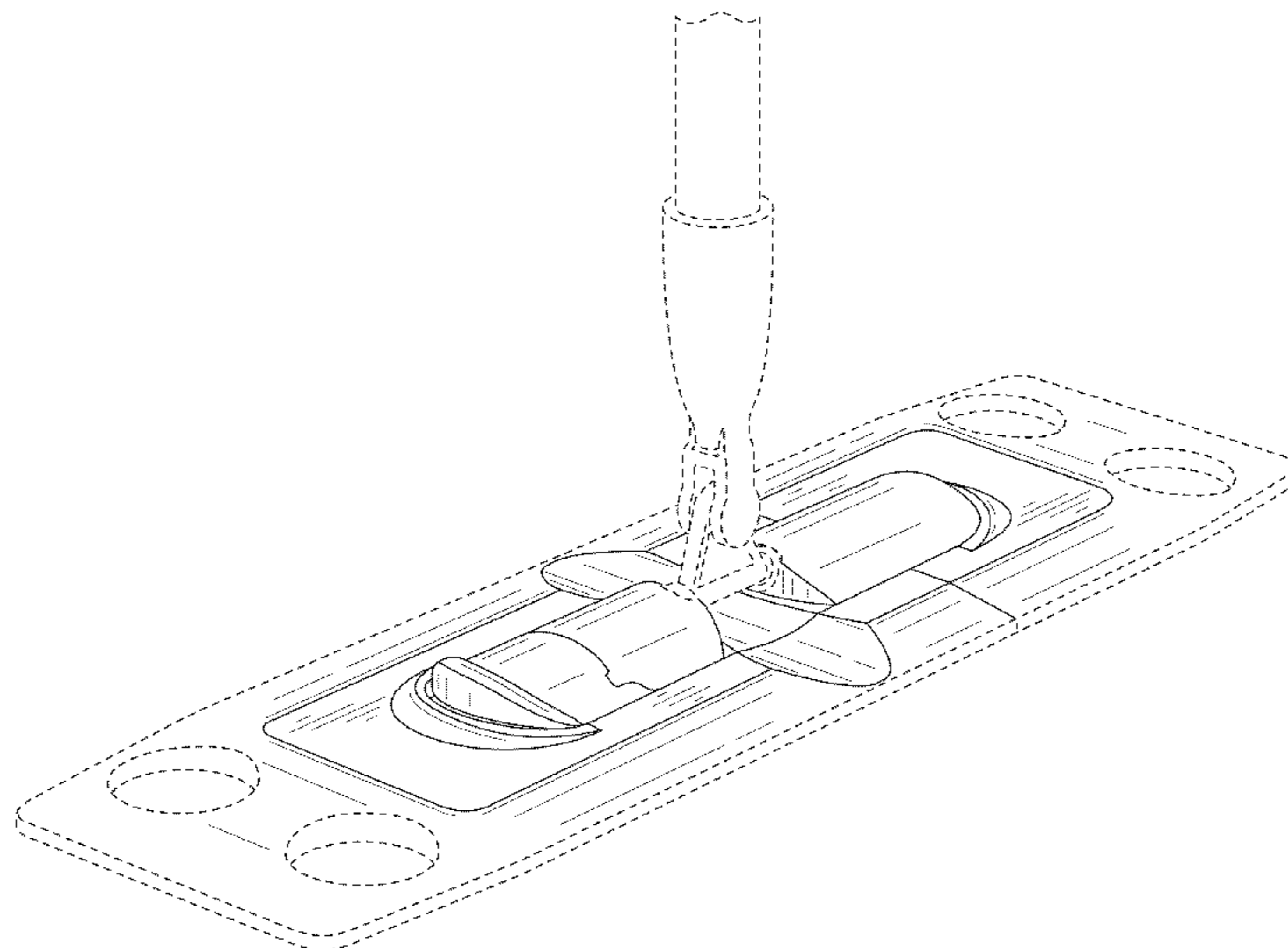
2,347,169 A * 4/1944 Bennett 15/229.4
D277,039 S 1/1985 Miyoshi et al.
D297,275 S 8/1988 Cook
4,912,804 A 4/1990 Pasbol
4,914,778 A 4/1990 Thompson
5,253,387 A 10/1993 Kresse et al.
5,361,447 A 11/1994 Ophardt
5,390,390 A 2/1995 Kresse et al.
5,397,622 A 3/1995 Thomas
5,398,492 A 3/1995 Thomas
5,442,830 A 8/1995 Ohm
5,452,491 A 9/1995 Thompson
D366,740 S * 1/1996 Clausen et al. D32/50
D394,529 S * 5/1998 Glisch D32/25
D402,776 S * 12/1998 Carlson D32/50
5,864,914 A 2/1999 Salmon
5,915,437 A * 6/1999 Petner 15/228
6,260,226 B1 7/2001 Specht

(57) **CLAIM**
The ornamental design for a mop, as shown and described.

DESCRIPTION

FIG. 1 is a top, front, left perspective view of a mop showing our new design;
FIG. 2 is a front view thereof;
FIG. 3 is a rear view thereof;
FIG. 4 is a left side view thereof;
FIG. 5 is a right side view thereof; and,
FIG. 6 is an alternate perspective view thereof showing our new design in an exemplary environment.
The broken lines immediately adjacent to the shaded area represent unclaimed boundaries of the design. The broken lines showing the remainder of the mop are for environmental purposes only and form no part of the claimed design.

1 Claim, 5 Drawing Sheets



(56)

References Cited

OTHER PUBLICATIONS

U.S. PATENT DOCUMENTS

D653,827 S * 2/2012 Lee D32/50
D654,238 S * 2/2012 Lee D32/50
D657,928 S * 4/2012 Byrne D32/50
D661,036 S * 5/2012 Raven D32/45
D673,748 S * 1/2013 Snyder et al. D32/50
2004/0253041 A1 * 12/2004 Hall et al. 401/140
2005/0254882 A1 * 11/2005 Hofte et al. 401/140
2006/0070196 A1 * 4/2006 Lacotta et al. 15/118
2006/0204316 A1 * 9/2006 Sacks 401/139

Fibro Contact Flat Mop, Vileda, www.vileda.ca/en/mops/flat/,
retrieved from Internet Apr. 27, 2012.
ProMist Flat Mop, Vileda, www.vileda.ca/en/mops/flat/promist.aspx,
retrieved from Internet Apr. 27, 2012.
Ultramax Plus Flat Mop, Vileda, www.vileda.ca/en/mops/flat/ultramax-plus.aspx,
retrieved from Internet Apr. 27, 2012.
Profi Floor Mop With Micro Duo Pad, Leifheit, www.leifheitus.com/Profi-Floor-Mop-With-Micro-Duo-Pad-plu55049.html,
retrieved from Internet Apr. 30, 2012.

* cited by examiner

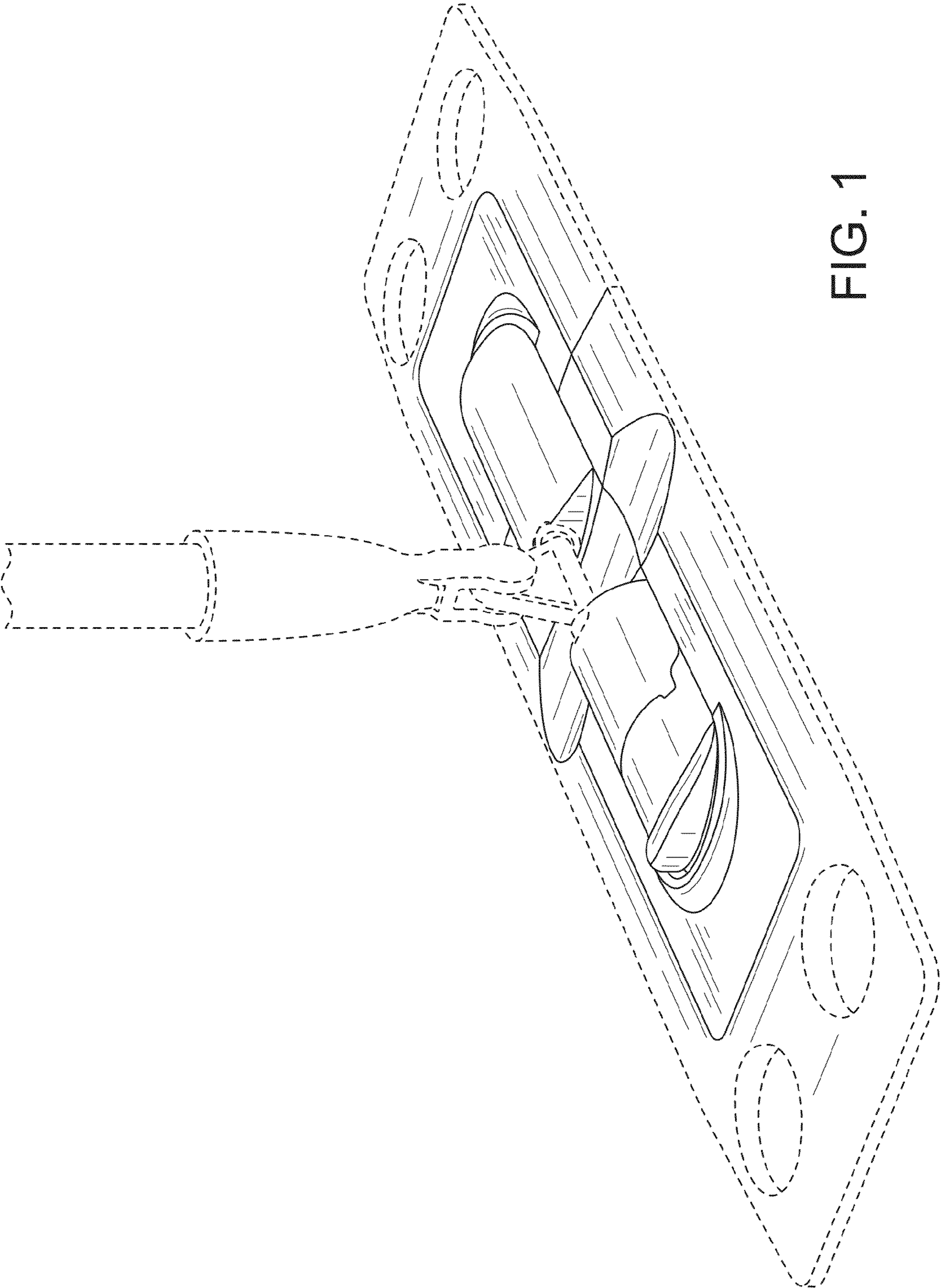


FIG. 1

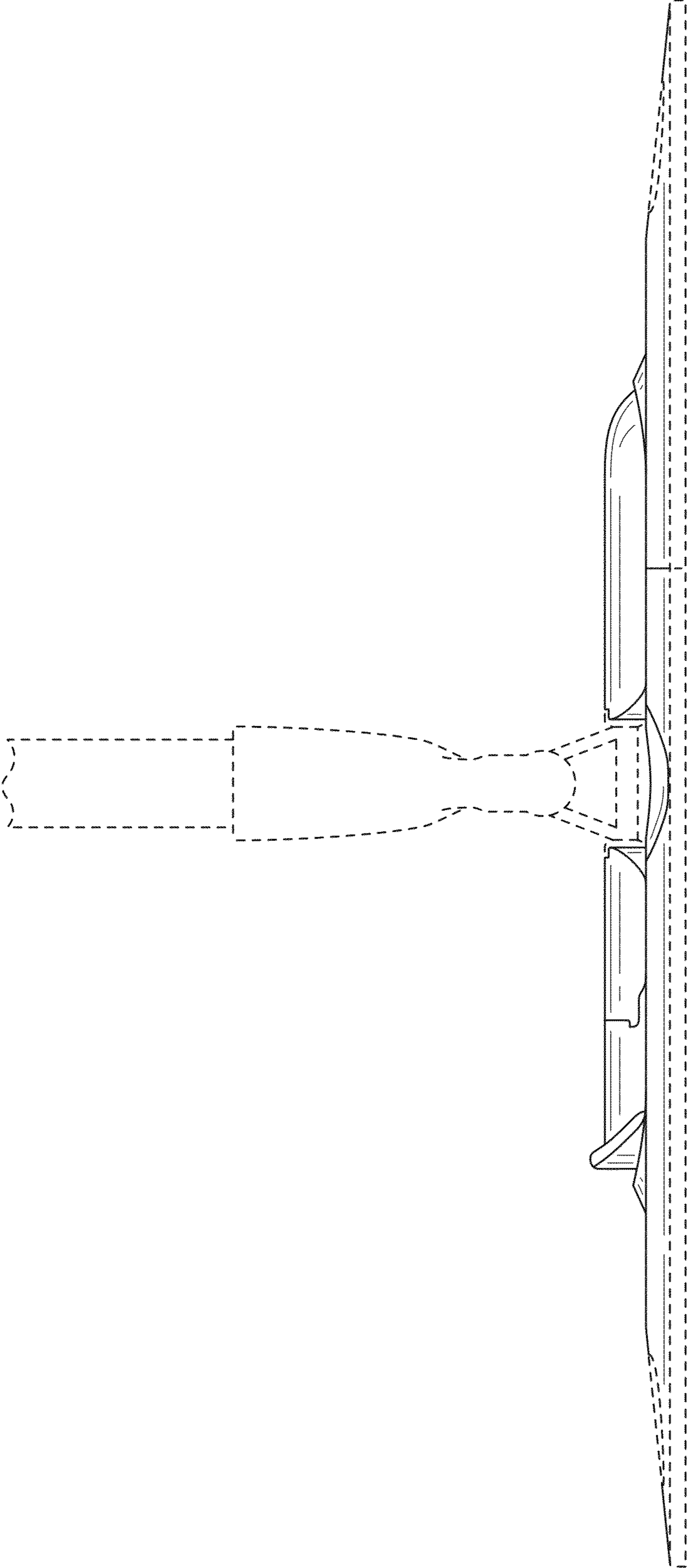


FIG. 2

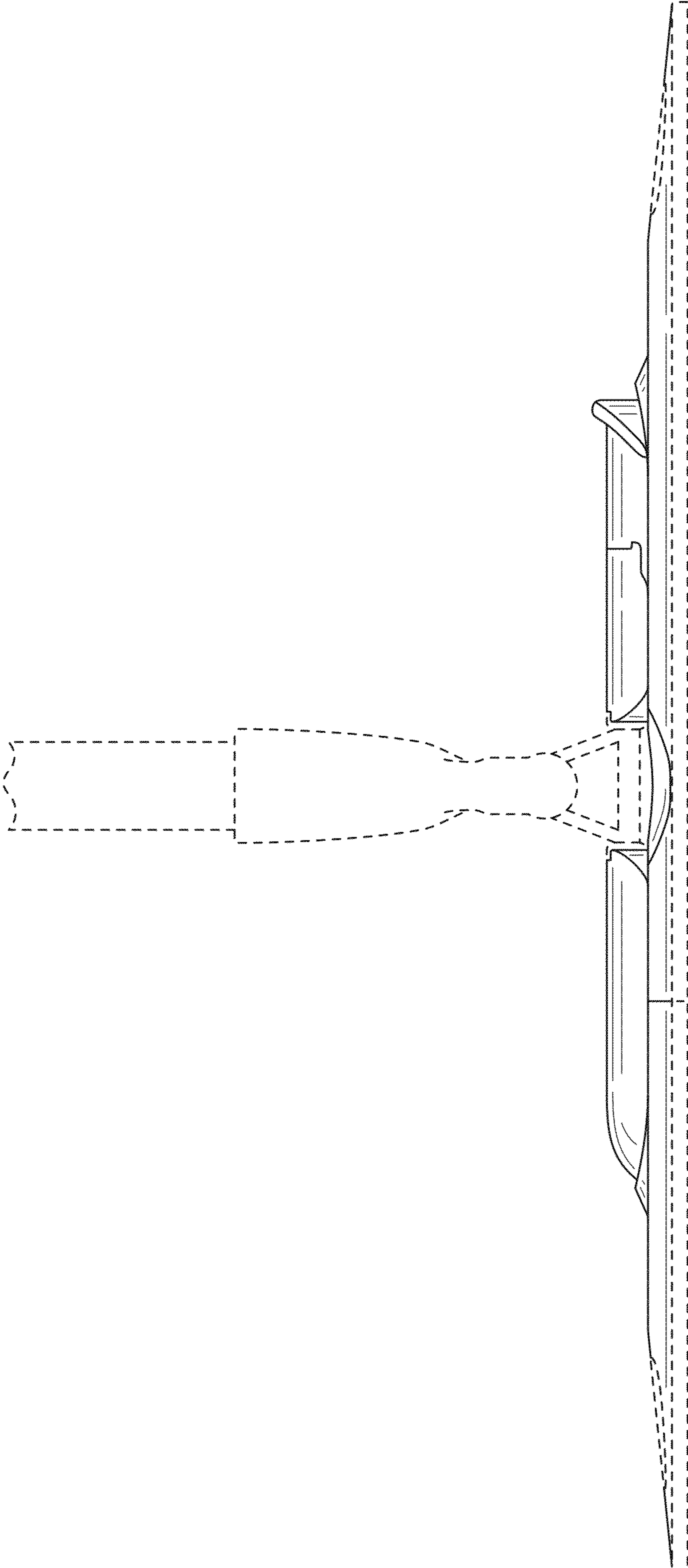


FIG. 3

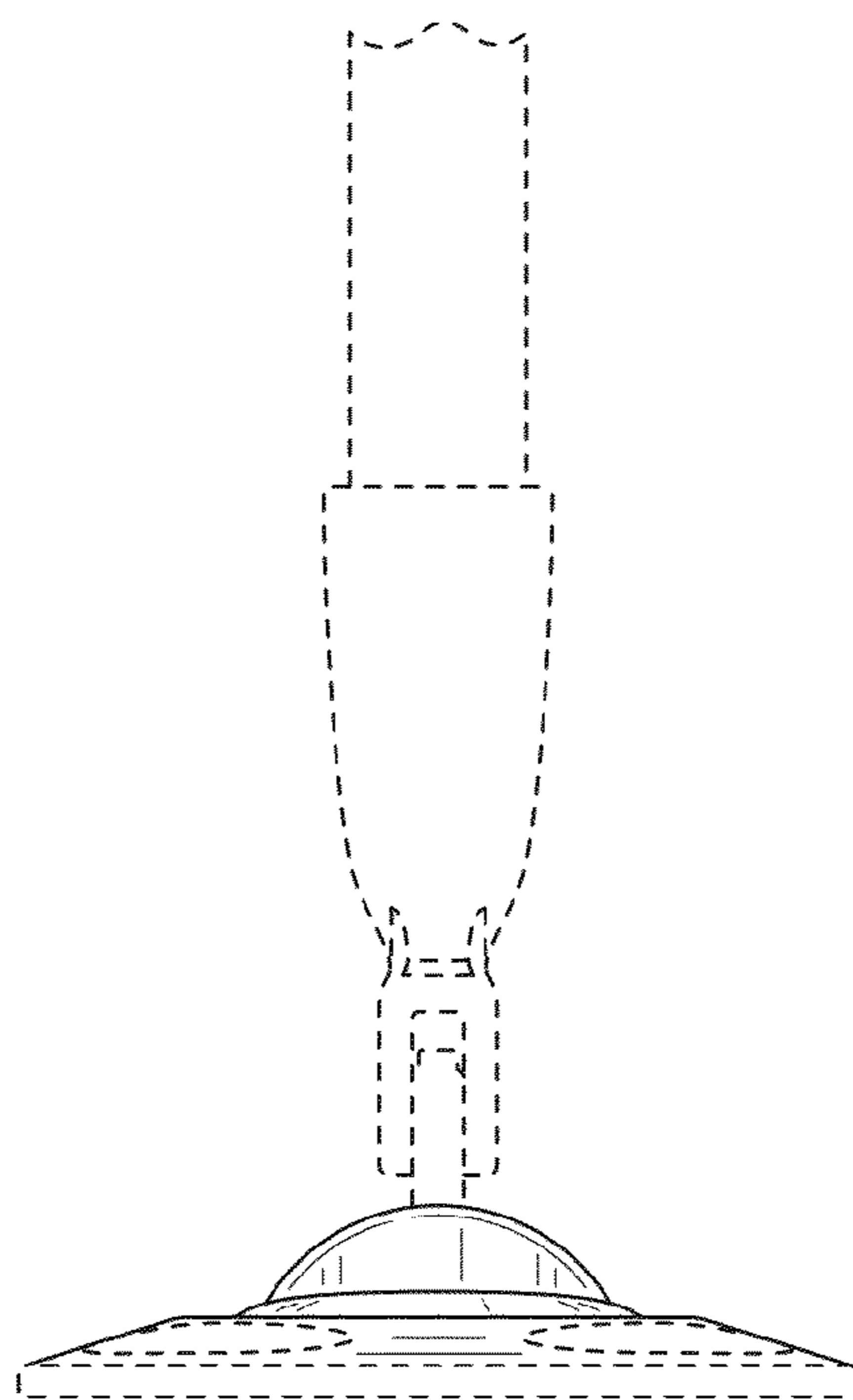


FIG. 4

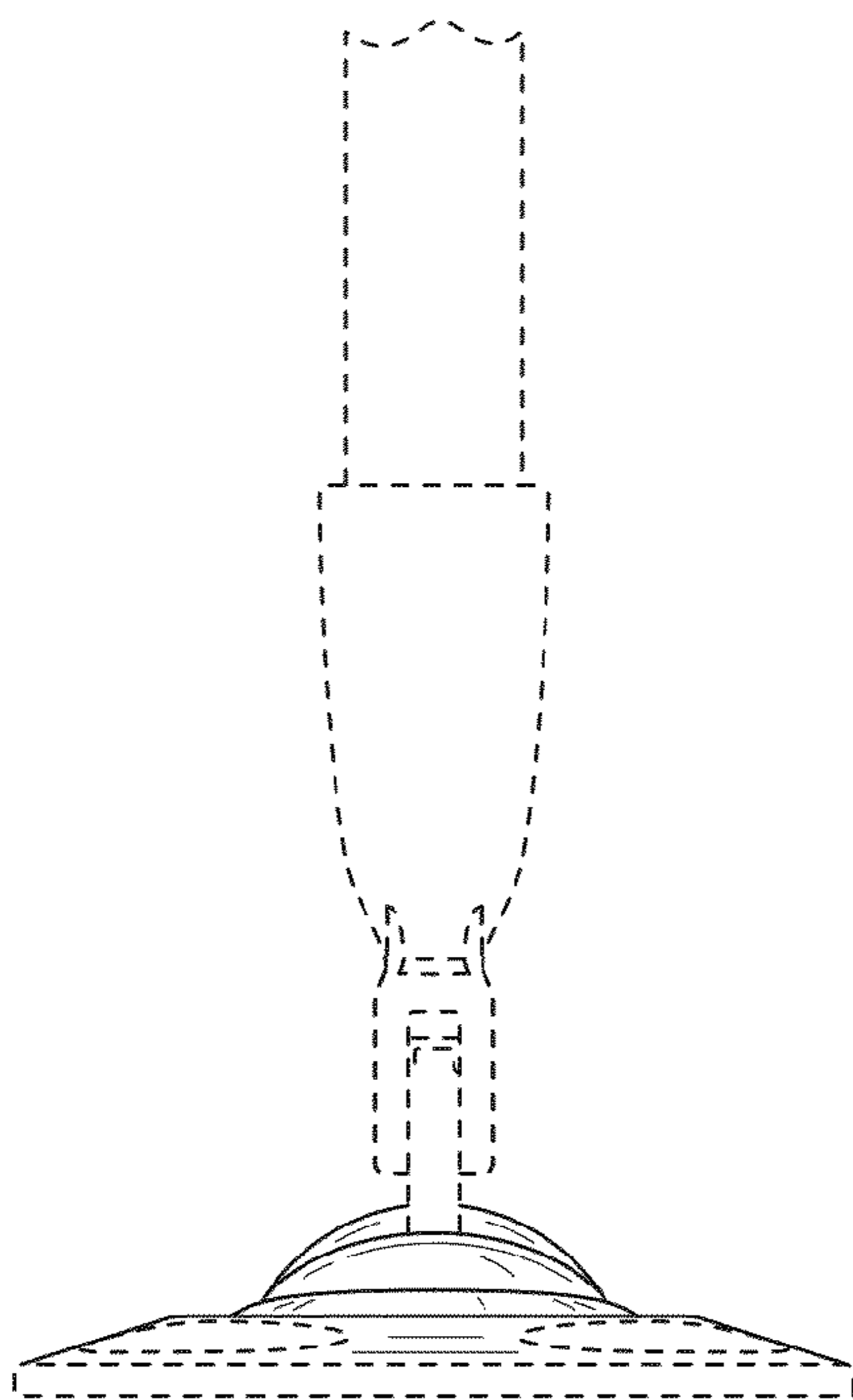


FIG. 5

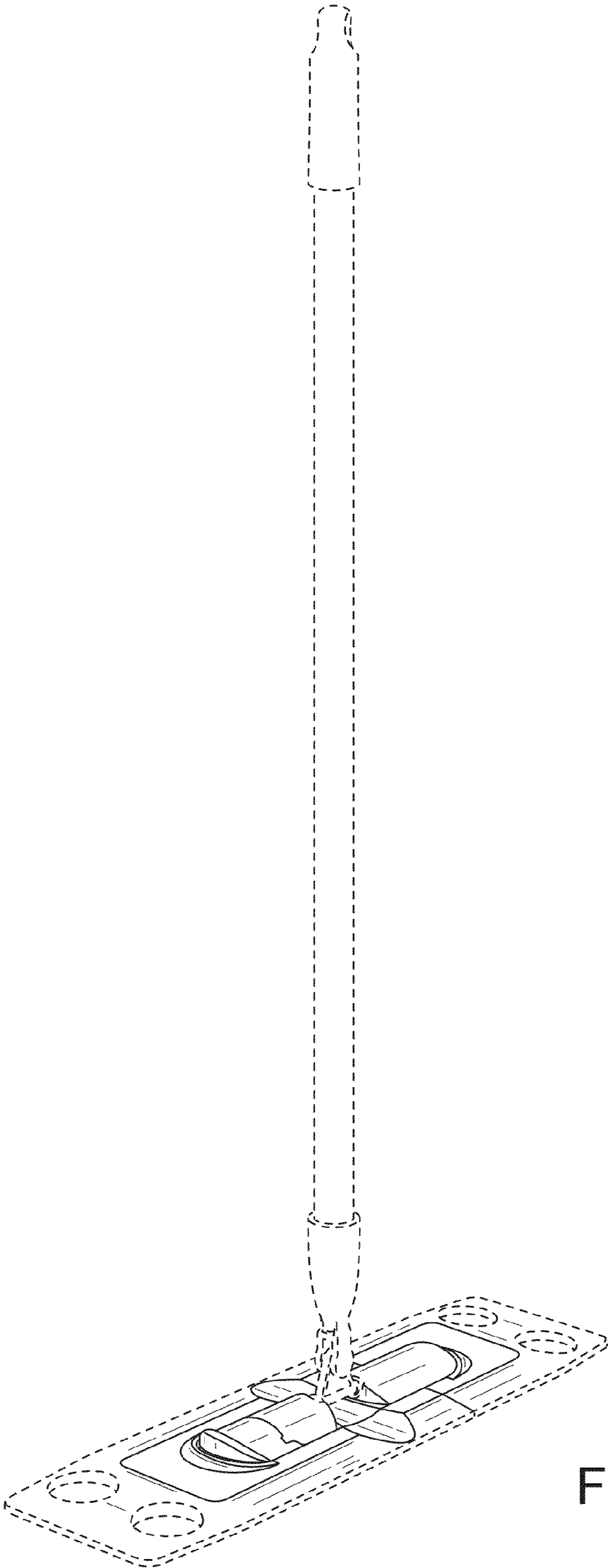


FIG. 6