



US00D700760S

(12) **United States Design Patent**
Chu et al.

(10) **Patent No.:** **US D700,760 S**

(45) **Date of Patent:** **** Mar. 4, 2014**

(54) **FLOOR CLEANER ACCESSORY TOOL**

(71) Applicant: **BISSELL Homecare, Inc.**, Grand Rapids, MI (US)

(72) Inventors: **Lawrence Chun-Hei Chu**, Shenzhen (CN); **Charles Jing Yang**, Zhongshan (CN); **Christopher John Reinke**, Saint Joseph, MI (US); **Matthais Reisenberger**, Shanghai (CN); **Jing Pang**, Shanghai (CN); **Jonas Vollmer**, Shanghai (CN)

(73) Assignee: **BISSELL Homecare, Inc.**, Grand Rapids, MI (US)

(**) Term: **14 Years**

(21) Appl. No.: **29/447,019**

(22) Filed: **Feb. 28, 2013**

(51) **LOC (10) Cl.** **15-05**

(52) **U.S. Cl.**
USPC **D32/33**

(58) **Field of Classification Search**
USPC D32/17, 22, 31-33, 50; 15/415.1-422, 15/1, 400, 414, 328, 329, 320, 22, 353, 15/361, 410, 383, 363, 327.1, 405, 246.2, 15/246.3, 4, 412, 396-399, 393, 98; 285/7
See application file for complete search history.

(56) **References Cited**

U.S. PATENT DOCUMENTS

D98,082 S *	1/1936	Lofgren	D32/33
D141,802 S *	7/1945	Wittke	D32/33
D149,060 S *	3/1948	Harvuot	D32/33
D178,141 S *	2/1957	Andersson-Sason	D32/33
D470,633 S *	2/2003	Kitts	D32/33
D519,696 S *	4/2006	Adams	D32/33
D520,202 S *	5/2006	Dyson et al.	D32/33
7,571,514 B2 *	8/2009	Shih	15/393
D603,570 S *	11/2009	Svantesson et al.	D32/32
D621,566 S *	8/2010	Crawley et al.	D32/33
D672,104 S *	12/2012	Steele	D32/33

* cited by examiner

Primary Examiner — Ruth McInroy

(74) *Attorney, Agent, or Firm* — McGarry Bair PC

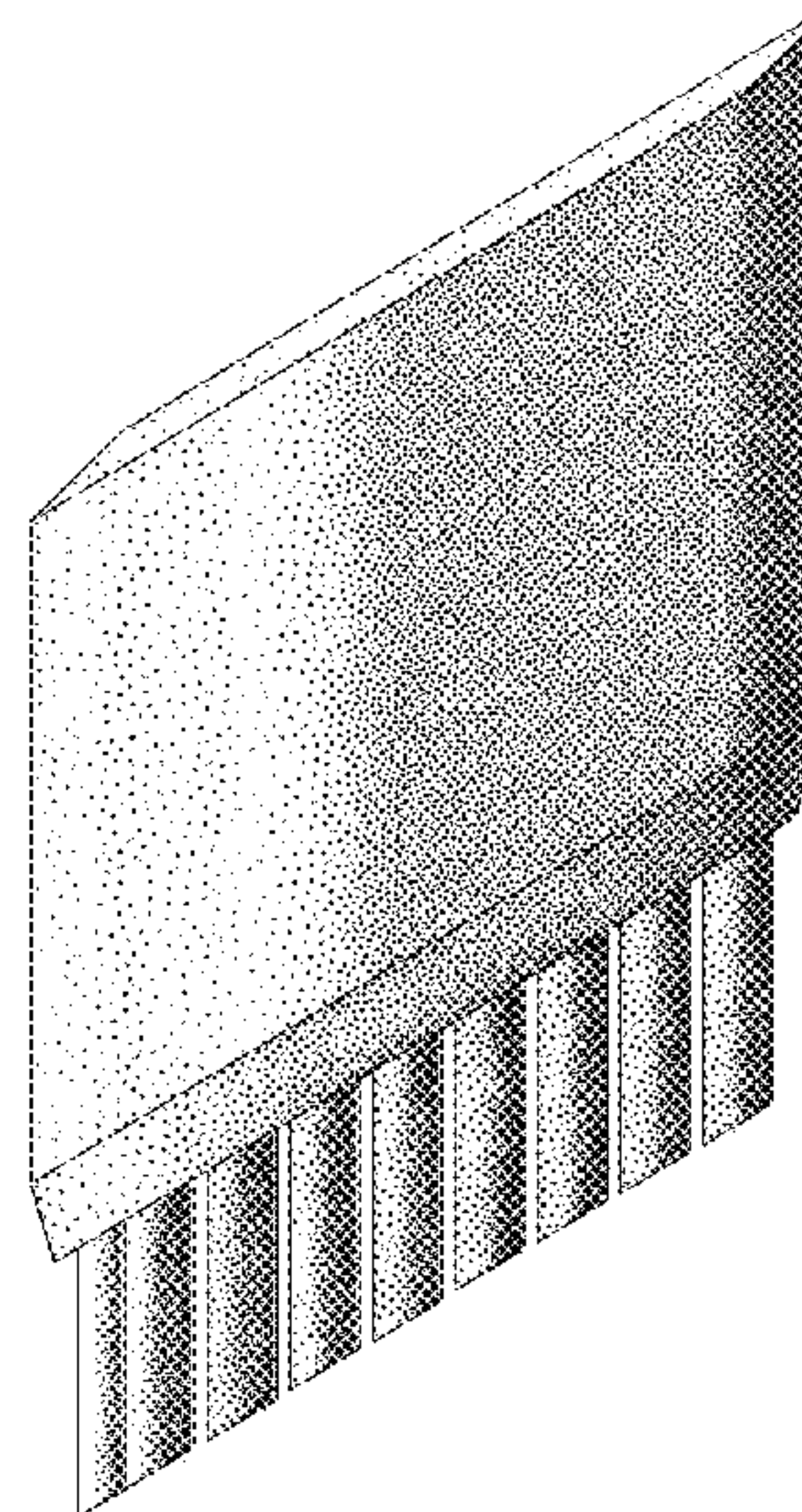
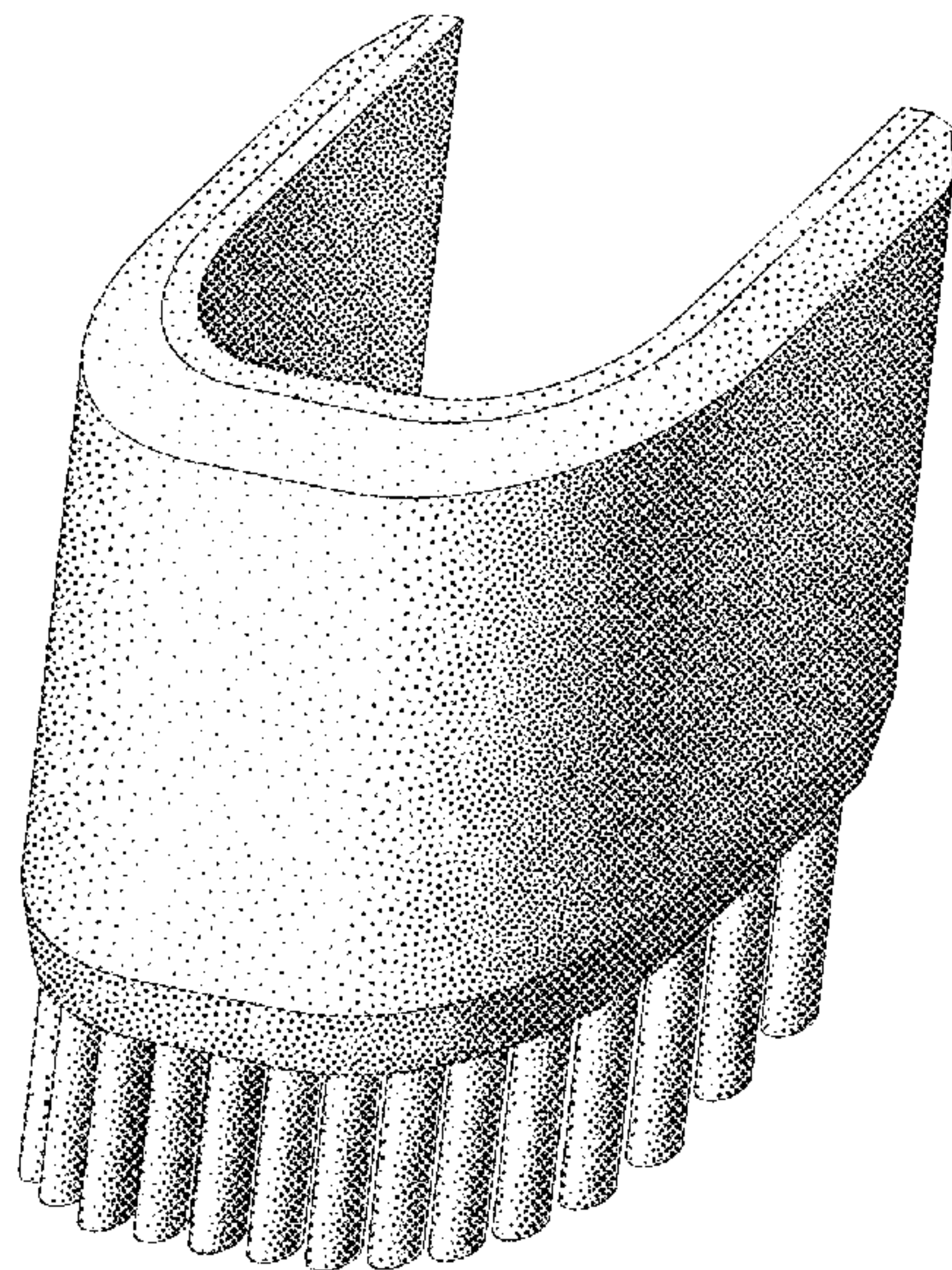
(57) **CLAIM**

The ornamental design for a floor cleaner accessory tool, as shown and described.

DESCRIPTION

FIG. 1 is a front, right perspective view a floor cleaner accessory tool showing our new design;
FIG. 2 is a front view thereof;
FIG. 3 is a rear view thereof;
FIG. 4 is a right side view thereof, the left side being a mirror image;
FIG. 5 is a top view thereof; and,
FIG. 6 is a bottom view thereof.

1 Claim, 2 Drawing Sheets



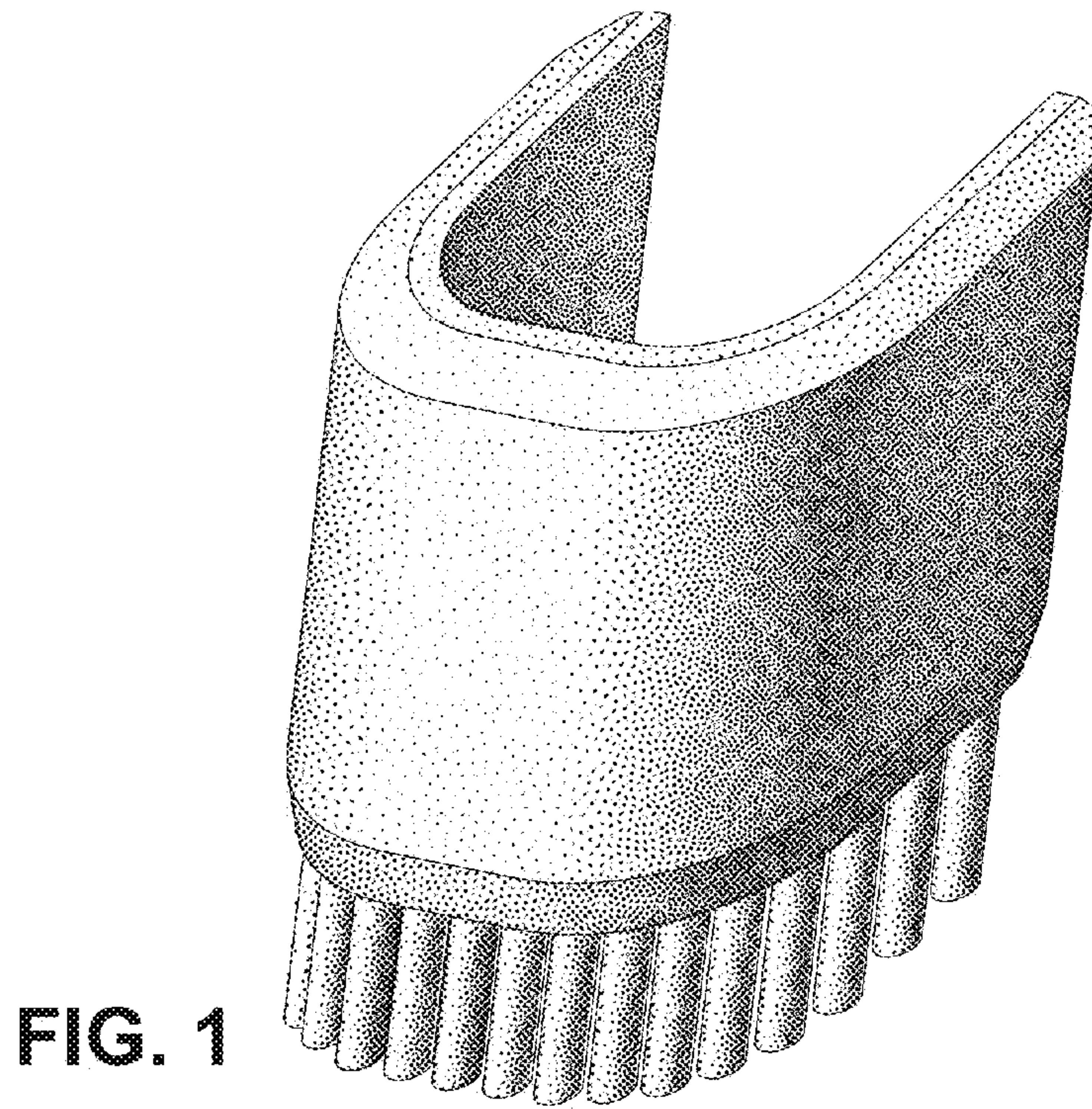


FIG. 1

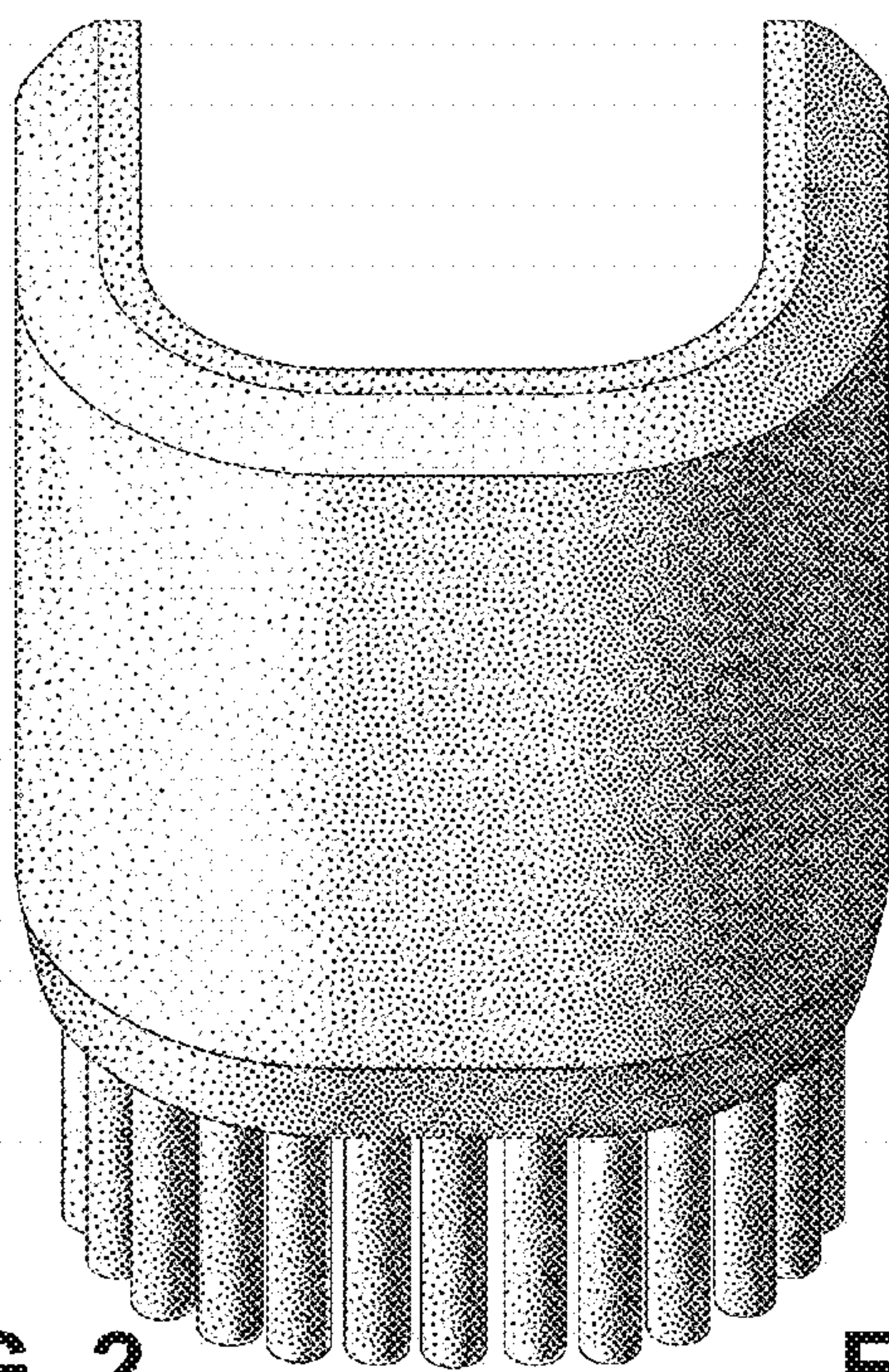


FIG. 2

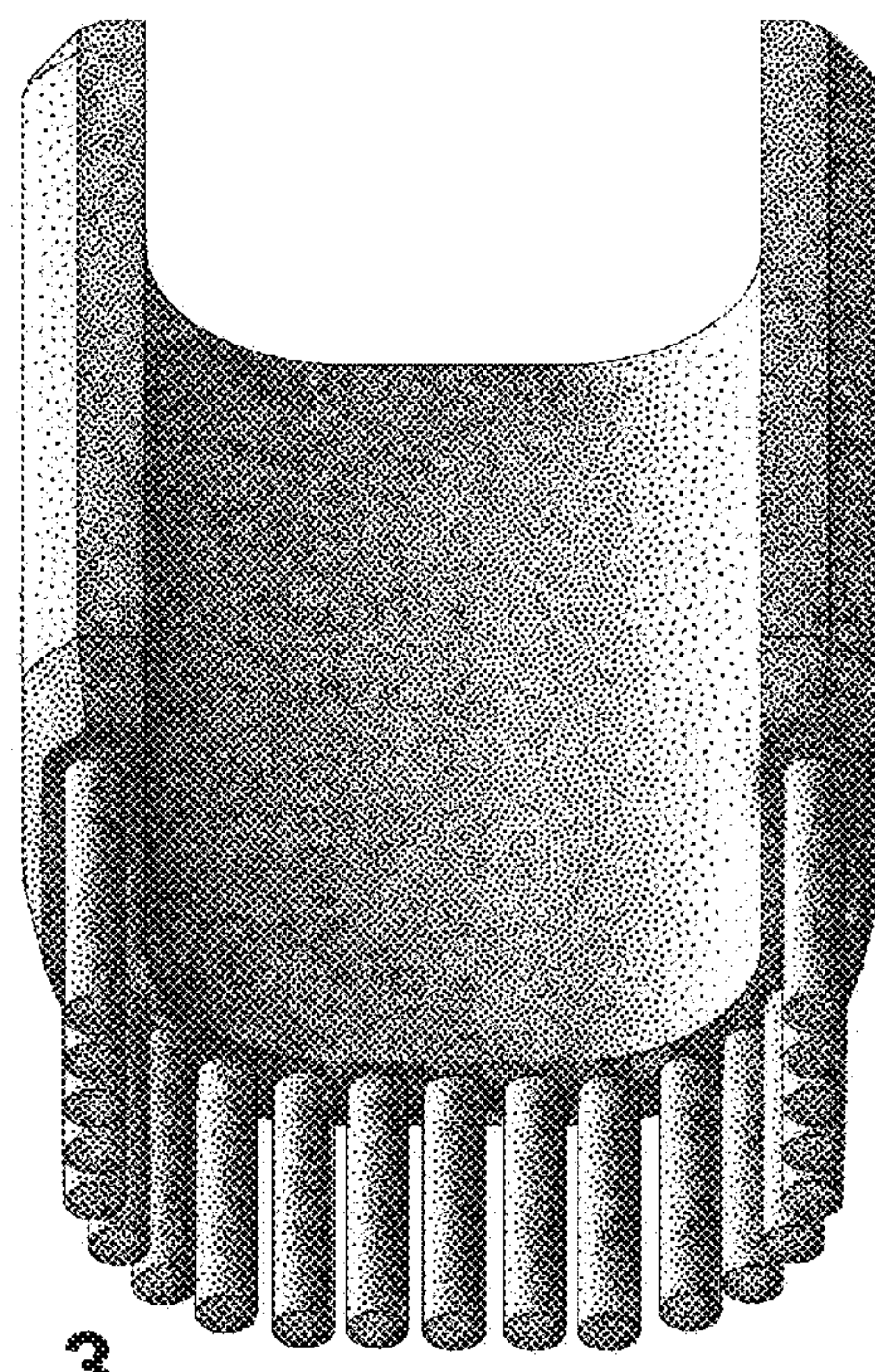


FIG. 3

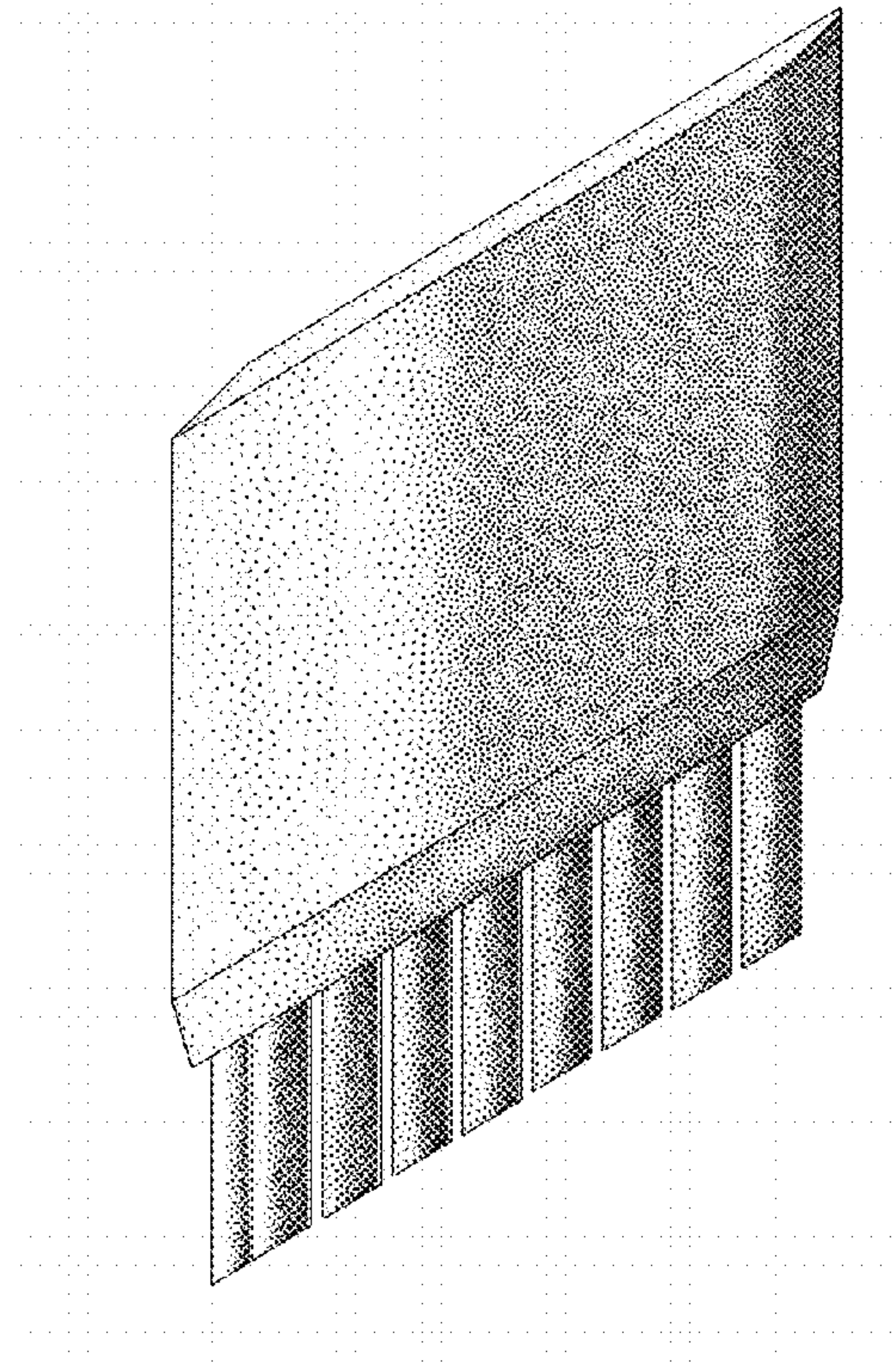


FIG. 4

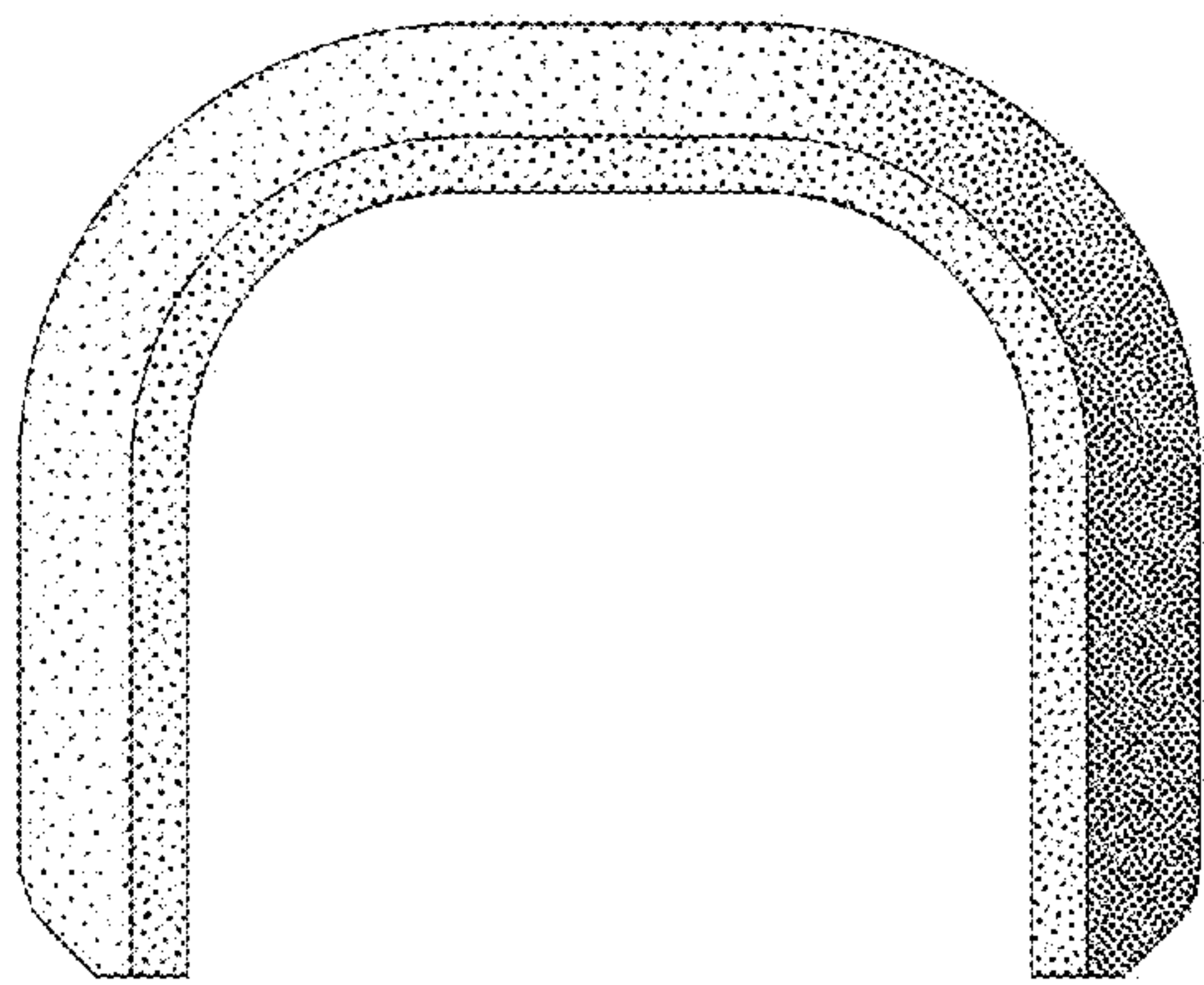


FIG. 5

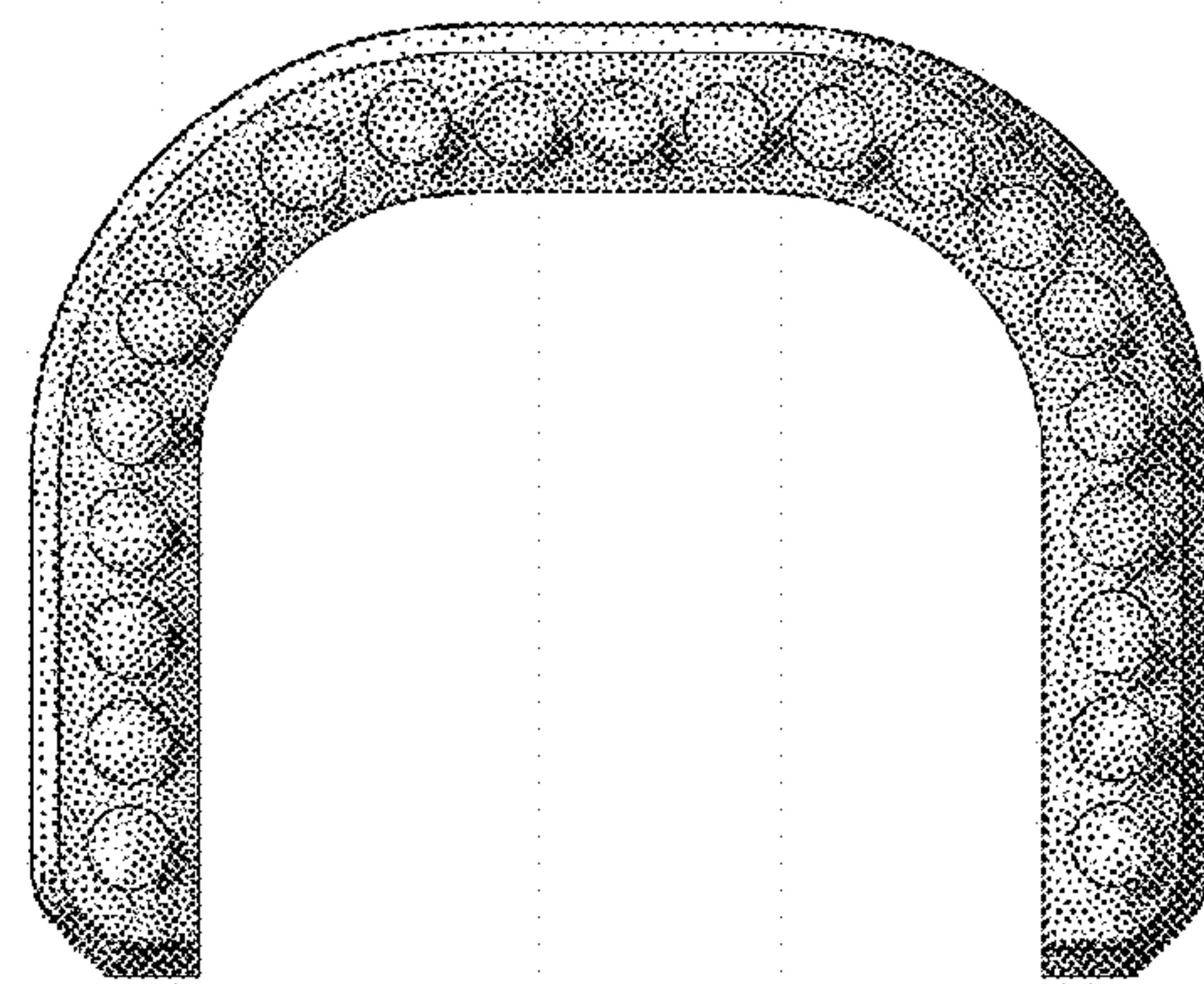


FIG. 6