



US00D700752S

(12) **United States Design Patent**
Gilkey et al.

(10) **Patent No.:** **US D700,752 S**
(45) **Date of Patent:** **** Mar. 4, 2014**

- (54) **PET WATER DISH**
- (71) Applicants: **Rebecca A. Gilkey**, Mercer, PA (US);
David L. Stanley, Sharon, PA (US)
- (72) Inventors: **Rebecca A. Gilkey**, Mercer, PA (US);
David L. Stanley, Sharon, PA (US)
- (**) Term: **14 Years**
- (21) Appl. No.: **29/472,150**
- (22) Filed: **Nov. 8, 2013**
- (51) **LOC (10) Cl.** **30-03**
- (52) **U.S. Cl.**
USPC **D30/133; D30/129; D30/130; D30/132**
- (58) **Field of Classification Search**
USPC **D30/133, 121, 128, 130, 132; 119/52.1,**
119/55, 61.5, 61.6; D6/480-485; 248/188;
312/204; 108/153.1-157
See application file for complete search history.

- D231,887 S * 6/1974 Kephart D6/484
- 3,991,719 A * 11/1976 Bruce 119/61.5
- D257,068 S * 9/1980 Imhoff D30/129
- D257,494 S * 11/1980 Imhoff D30/129
- 4,257,353 A * 3/1981 Imhoff 119/61.56
- D260,043 S * 7/1981 Robinson D30/129
- 4,436,056 A * 3/1984 MacLeod 119/72
- 4,488,697 A * 12/1984 Garvey 248/101
- 4,562,983 A * 1/1986 Klefbeck 248/97
- 4,572,251 A * 2/1986 Drury 141/1
- 4,587,930 A * 5/1986 Trego 119/61.57
- D287,772 S * 1/1987 Stewart D30/129
- 4,658,759 A * 4/1987 Brown 119/61.5
- D289,807 S * 5/1987 Russell D30/129
- 4,667,911 A * 5/1987 Farris et al. 248/97
- 4,899,967 A * 2/1990 Johnson 248/97
- 4,905,945 A * 3/1990 Peterson 248/146
- 4,907,712 A * 3/1990 Stempin 220/630
- 4,953,506 A * 9/1990 Sanders 119/61.53
- 5,000,123 A * 3/1991 Morse et al. 119/61.54
- 5,042,759 A * 8/1991 Blair 248/146
- 5,054,733 A * 10/1991 Shields 248/313
- 5,060,893 A * 10/1991 Halbert 248/97
- D326,168 S * 5/1992 Smith D30/129
- 5,125,364 A * 6/1992 Sagucio 119/61.53

(Continued)

(56) **References Cited**
U.S. PATENT DOCUMENTS

- 779,924 A * 1/1905 Gommel 47/41.01
- D44,466 S * 8/1913 Brunhoff D99/34
- D44,657 S * 9/1913 Brunhoff D99/34
- 1,342,807 A * 6/1920 Harrington 220/4.12
- 1,359,388 A * 11/1920 Koerner 47/47
- 1,560,404 A * 11/1925 Brown 47/47
- 1,779,867 A * 10/1930 Ahrold 248/146
- 2,061,957 A * 11/1936 Brown 312/228
- D132,421 S * 5/1942 Krapp D30/133
- 2,366,584 A * 1/1945 Woodward 119/72
- D148,608 S * 2/1948 Bullock D30/104
- D192,550 S * 4/1962 Wright D7/366
- 3,028,702 A * 4/1962 St Cyr 215/395
- 3,076,435 A * 2/1963 Seymour 119/77
- D200,626 S * 3/1965 Barnes D30/129
- 3,259,106 A * 7/1966 Ray et al. 119/51.03
- 3,266,533 A * 8/1966 McHale 141/364
- D230,034 S * 1/1974 Goldman et al. D30/129

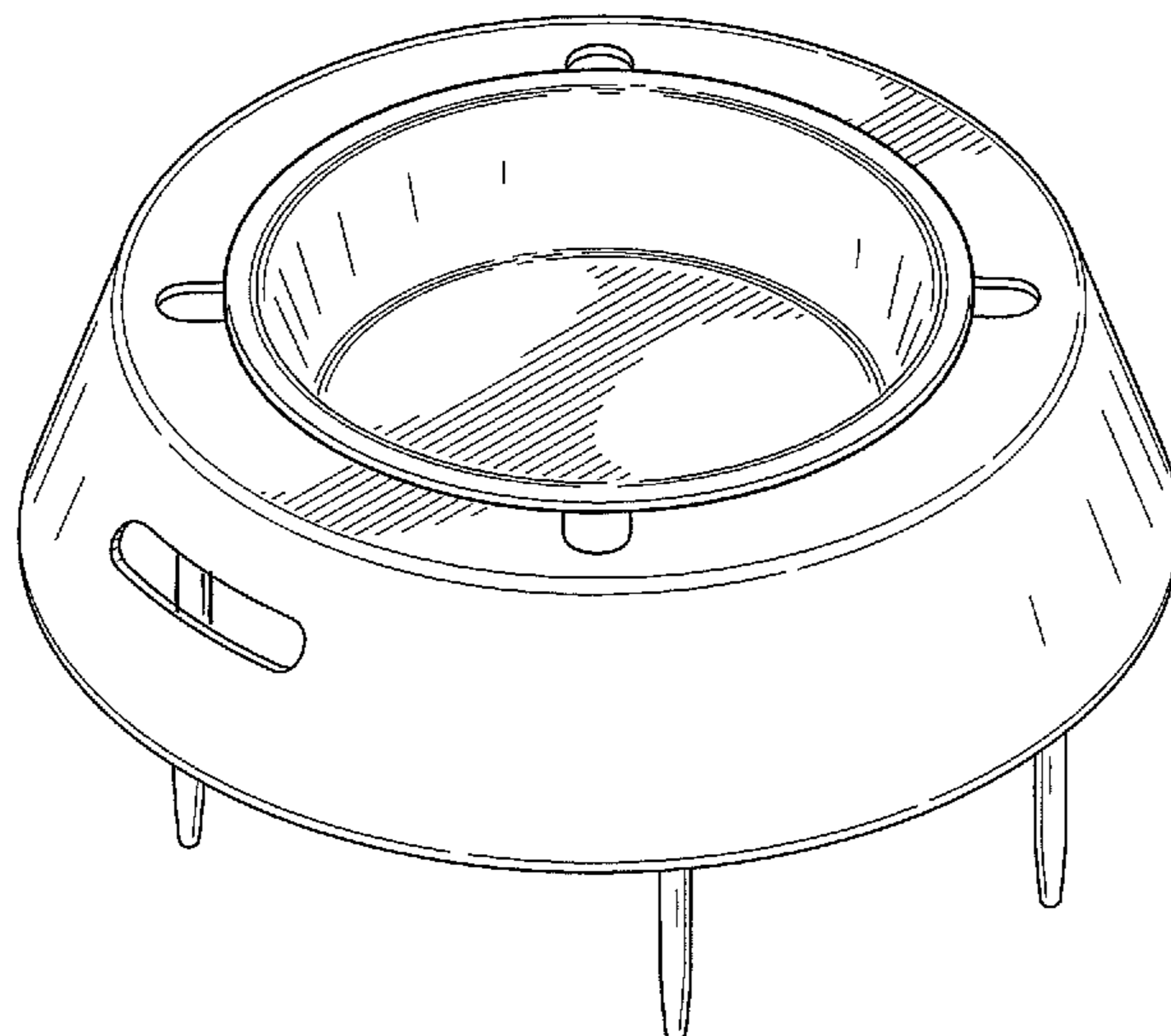
Primary Examiner — Susan Moon Lee
(74) *Attorney, Agent, or Firm* — Harpman & Harpman

(57) **CLAIM**
The ornamental design for a pet water dish, as shown and described.

DESCRIPTION

FIG. 1 is a front and side perspective view of the design for a pet water dish.
FIG. 2 is a left side elevational view thereof.
FIG. 3 is a bottom, front and side perspective view of the design for a pet water dish.
FIG. 4 is a rear elevational view thereof; and,
FIG. 5 is a bottom plan view thereof.

1 Claim, 3 Drawing Sheets



(56)

References Cited

U.S. PATENT DOCUMENTS

- 5,143,247 A * 9/1992 Gavle 220/630
5,143,338 A * 9/1992 Eberlin 248/313
D330,816 S * 11/1992 Phillips D6/457
5,209,184 A * 5/1993 Sharkan et al. 119/61.56
D342,352 S * 12/1993 Embrey D30/129
5,285,749 A * 2/1994 Byer 119/61.53
5,297,504 A * 3/1994 Carrico 119/61.54
5,347,979 A * 9/1994 Haber 126/43
D363,255 S * 10/1995 Helms et al. D11/164
5,499,787 A * 3/1996 Bonomo 248/97
5,509,376 A * 4/1996 Tsengas 119/51.5
D378,149 S * 2/1997 Mann D30/133
5,619,952 A * 4/1997 Walker 119/61.53
D383,271 S * 9/1997 Eshelman D32/54
5,709,168 A * 1/1998 Walker 119/61.5
D391,119 S * 2/1998 Rapaz D7/601
5,730,083 A * 3/1998 Walker 83/699.41
5,782,374 A * 7/1998 Walker 220/23.87
5,782,448 A * 7/1998 Withun et al. 248/311.2
5,791,287 A * 8/1998 Gruber 119/74
5,794,565 A * 8/1998 Beshah 119/61.54
D405,290 S * 2/1999 Hollinger D6/403
D406,925 S * 3/1999 Sharon D30/129
D410,781 S * 6/1999 Sharon D30/129
D412,605 S * 8/1999 Sharon D30/129
5,960,740 A * 10/1999 Pelsor 119/61.54
5,992,662 A * 11/1999 Holt et al. 215/395
5,996,531 A * 12/1999 Anderson 119/61.53
6,032,824 A * 3/2000 Barrow 220/621
6,047,849 A * 4/2000 Schwegman et al. 220/737
D426,752 S * 6/2000 Whaley D7/619.1
6,070,359 A * 6/2000 Liu 47/79
6,089,187 A * 7/2000 Gaspary 119/61.5
6,125,790 A * 10/2000 Breedwell 119/51.5
6,142,101 A * 11/2000 Pelsor 119/61.54
D446,361 S * 8/2001 Elliott D30/129
D448,978 S * 10/2001 Isbell D7/619.1
6,302,291 B1 * 10/2001 McCleerey 220/630
D451,709 S * 12/2001 Heithecker D6/472
D456,307 S * 4/2002 Fan D11/152
6,390,323 B1 * 5/2002 Alticosalian 220/495.03
D460,717 S * 7/2002 Fan D11/152
D466,256 S * 11/2002 Kaplan D30/129
6,513,280 B2 * 2/2003 Roberts 43/109
D474,404 S * 5/2003 Tropeano D9/455
6,644,241 B2 * 11/2003 Brown 119/61.5
D494,325 S * 8/2004 Paterson D30/121
6,783,023 B1 * 8/2004 Fan 220/571
6,840,191 B2 * 1/2005 Gaspary et al. 119/61.5
6,848,392 B1 * 2/2005 Kreutzer, Jr. 119/61.3
6,866,005 B1 * 3/2005 Bunker 119/72
D505,625 S * 5/2005 Servaux et al. D9/560
D516,872 S * 3/2006 Rigberg et al. D7/619.1
D529,838 S * 10/2006 Boling D11/164
7,204,202 B2 * 4/2007 Behun et al. 119/61.5
7,306,112 B2 * 12/2007 Shepard 220/506
7,328,663 B2 * 2/2008 Leng 108/157.14
D564,619 S * 3/2008 Cogswell et al. D23/206
7,392,761 B2 * 7/2008 Kujawa et al. 119/61.5
D575,581 S * 8/2008 Harris D7/396.6
D576,448 S * 9/2008 Harris D7/505
D579,514 S * 10/2008 Kelps D23/206
7,441,514 B2 * 10/2008 Dana et al. 119/61.5
7,487,741 B2 * 2/2009 Jordan 119/61.54
7,527,018 B2 * 5/2009 Manley-Hood 119/61.5
D593,364 S * 6/2009 Harris D7/505
7,556,230 B2 * 7/2009 Sarullo 248/311.2
7,600,486 B2 * 10/2009 Ellis 119/61.5
D613,600 S * 4/2010 David D9/456
7,730,852 B2 * 6/2010 Kramer 119/61.5
D622,011 S * 8/2010 Yowell D30/129
D625,885 S * 10/2010 Bianchi D30/129
D636,944 S * 4/2011 Anderson et al. D30/129
D641,064 S * 7/2011 Cogswell et al. D23/206
8,006,433 B1 * 8/2011 Bryanton 47/45
8,087,528 B1 * 1/2012 Scarlett et al. 220/23.89
D655,054 S * 2/2012 Lipscomb et al. D30/129
D658,267 S * 4/2012 Brockington et al. D23/206
D659,296 S * 5/2012 Anderson D30/129
8,205,767 B2 * 6/2012 Lawlor et al. 220/737
D665,541 S * 8/2012 Shamoon D30/133
D667,698 S * 9/2012 Tupy et al. D7/619.1
8,272,523 B1 * 9/2012 DeMusis, Sr. 215/393
D677,128 S * 3/2013 Roesser D7/625
D682,485 S * 5/2013 Wygle D30/133
8,534,632 B1 * 9/2013 Mancuso, Jr. 248/346.5
8,540,108 B2 * 9/2013 Kim 220/574.2
2002/0179796 A1 * 12/2002 Kaupp et al. 248/311.2
2004/0118860 A1 * 6/2004 Leopold et al. 220/737
2005/0039689 A1 * 2/2005 Mossmer 119/61.5
2006/0016817 A1 * 1/2006 Sheppard et al. 220/506
2006/0201434 A1 * 9/2006 Kujawa et al. 119/61.5
2007/0151010 A1 * 7/2007 Ellerbe 4/300.3
2007/0205205 A1 * 9/2007 Kliewer 220/737
2008/0264345 A1 * 10/2008 Kujawa et al. 119/61.5
2008/0302307 A1 * 12/2008 Bertsch et al. 119/61.5
2008/0314326 A1 * 12/2008 Albert 119/61.56
2009/0041910 A1 * 2/2009 Rabinovitch et al. 426/115

* cited by examiner

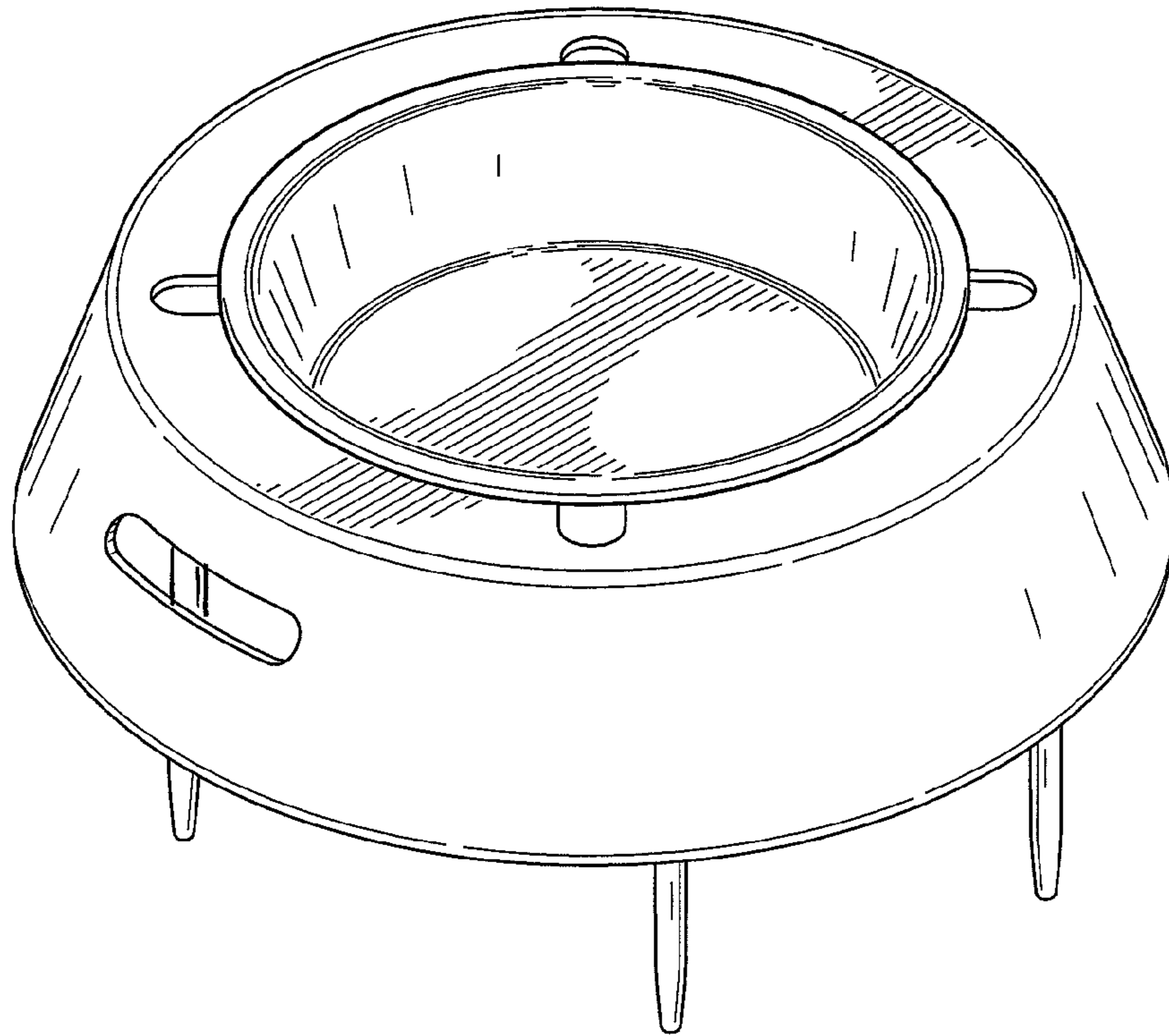


FIG. 1

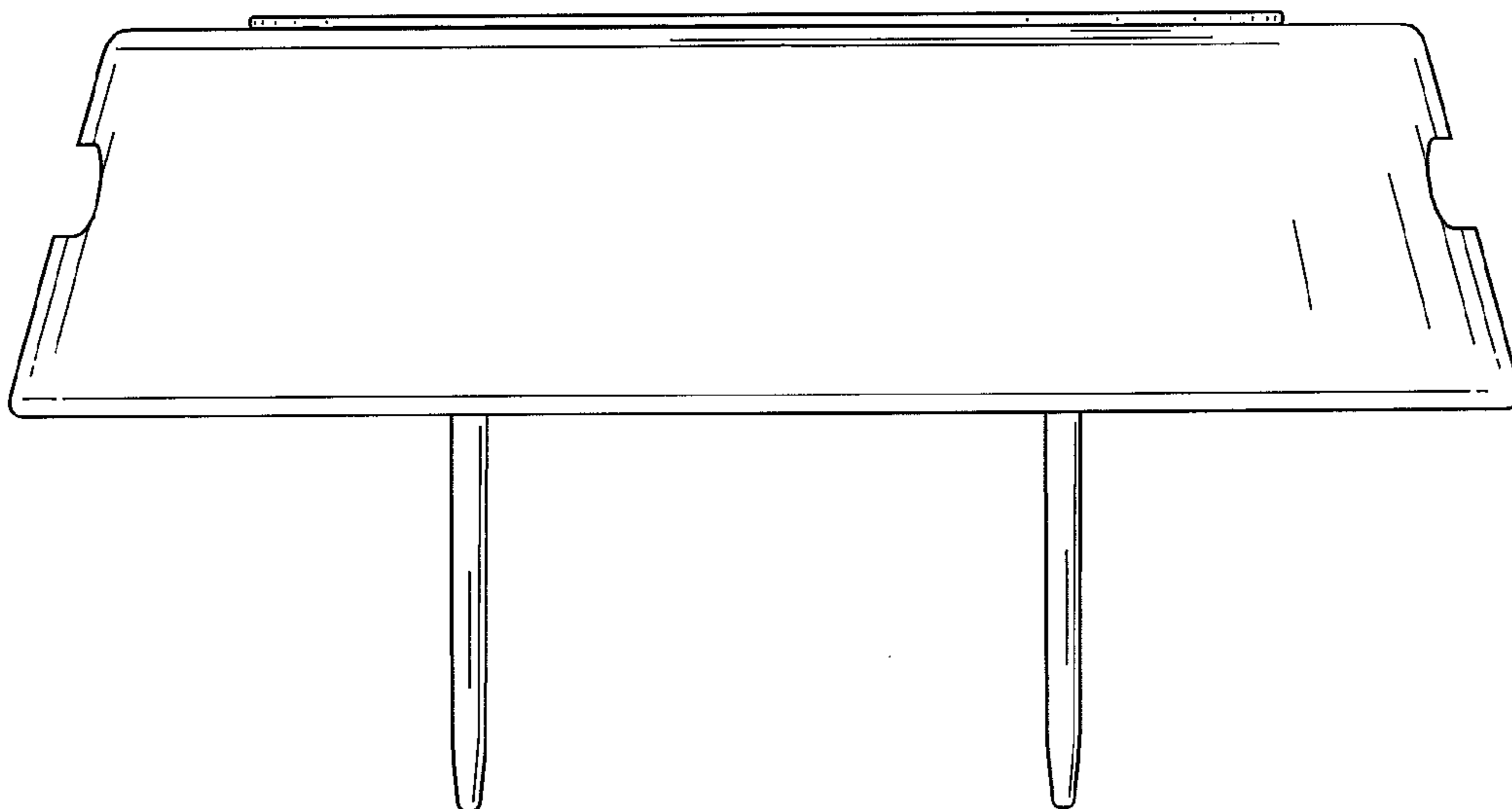


FIG. 2

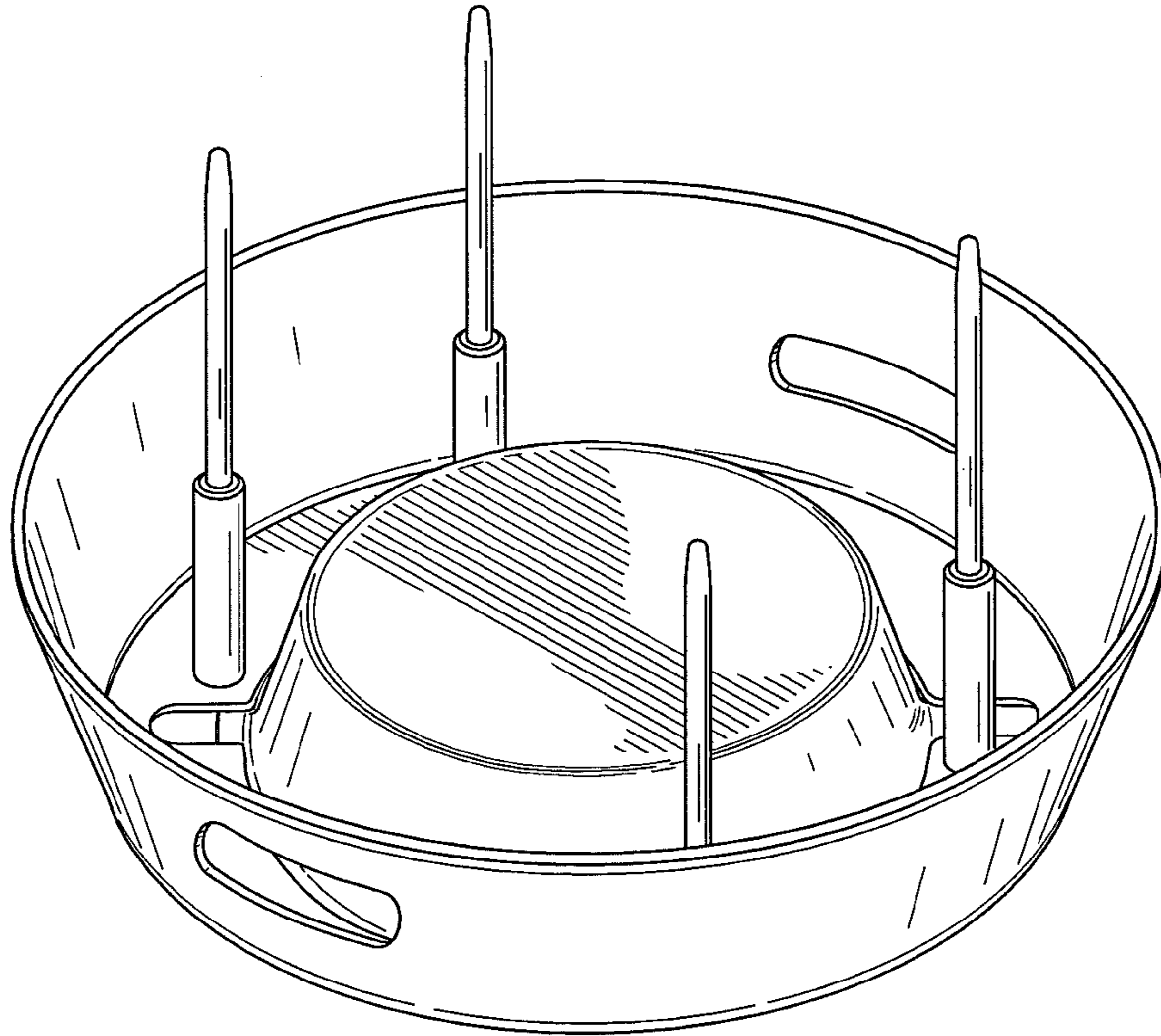


FIG. 3

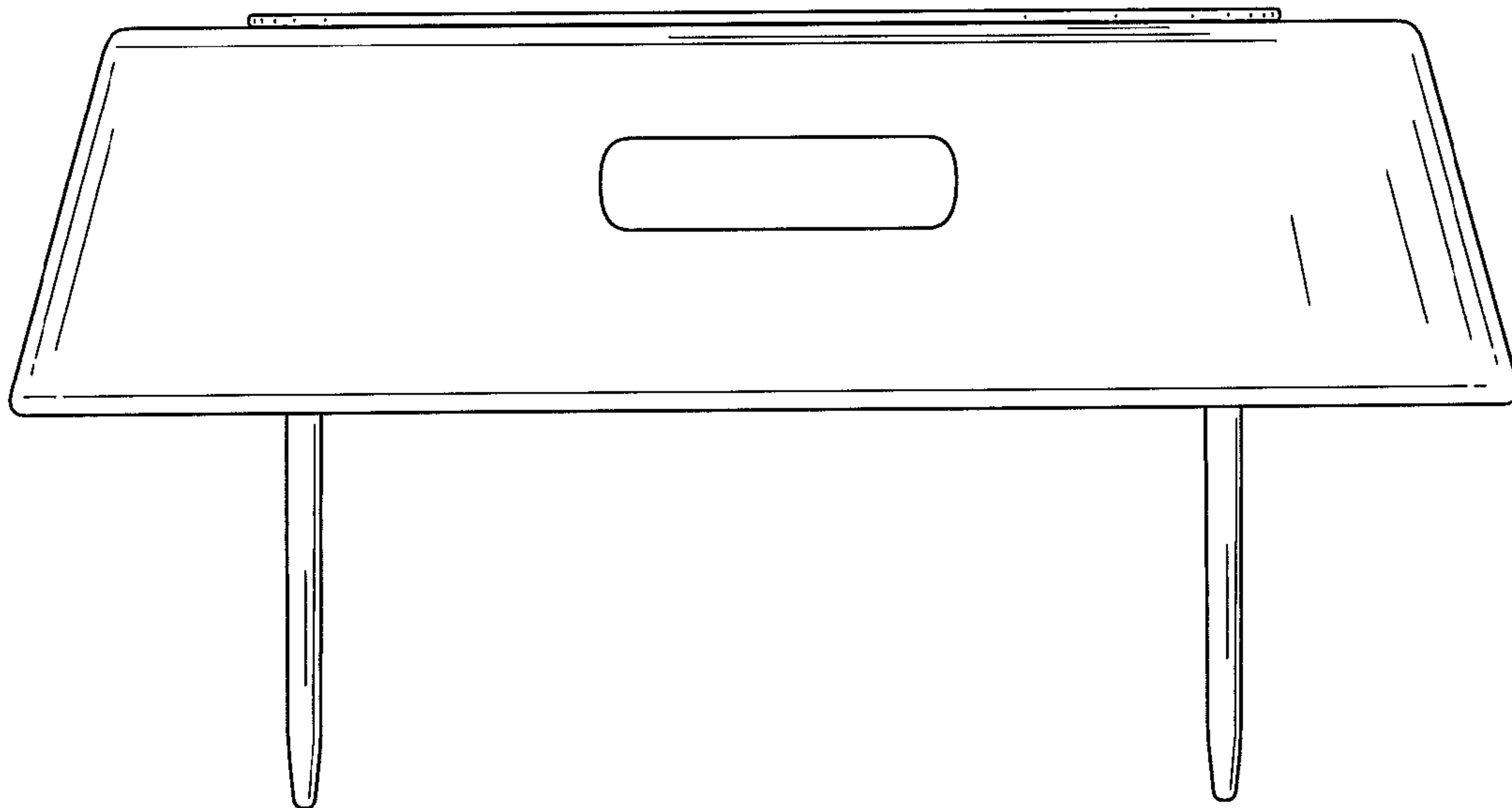


FIG. 4

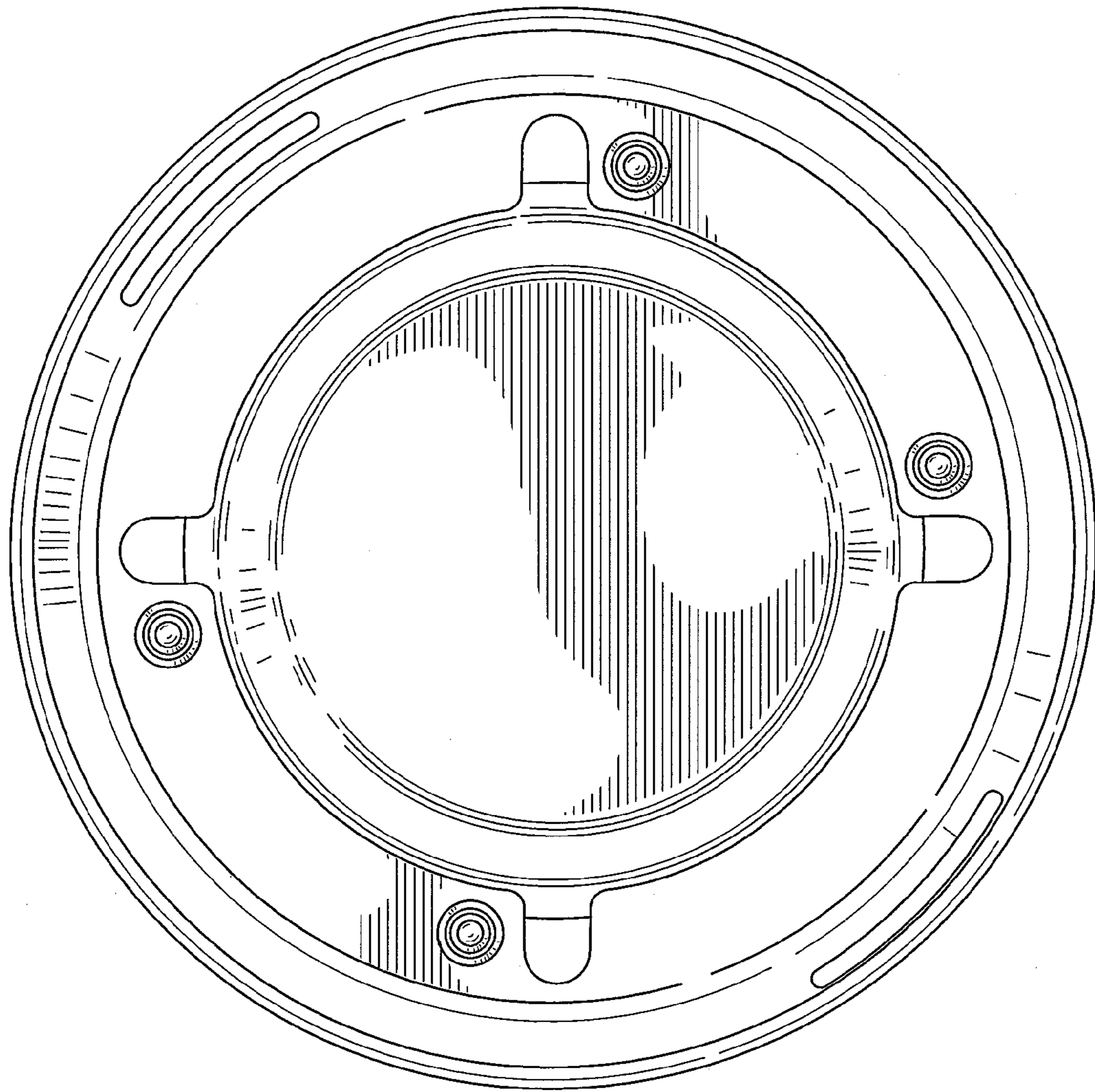


FIG. 5