



US00D700751S

(12) **United States Design Patent**
Gilkey et al.

(10) **Patent No.:** **US D700,751 S**
(45) **Date of Patent:** **** Mar. 4, 2014**

- (54) **PET WATER DISH**
- (71) Applicants: **Rebecca A. Gilkey**, Mercer, PA (US);
David L. Stanley, Sharon, PA (US)
- (72) Inventors: **Rebecca A. Gilkey**, Mercer, PA (US);
David L. Stanley, Sharon, PA (US)
- (**) Term: **14 Years**
- (21) Appl. No.: **29/472,118**
- (22) Filed: **Nov. 8, 2013**
- (51) **LOC (10) Cl.** **30-03**
- (52) **U.S. Cl.**
USPC **D30/133; D30/129; D30/121; D30/132**
- (58) **Field of Classification Search**
USPC **D30/133, 121, 128, 130, 132; 119/52.1,**
119/55, 61.5, 61.6; D6/480-485; 248/188;
312/204; 108/153.1-157
See application file for complete search history.

4,022,160	A *	5/1977	Lester	119/51.01
D252,310	S *	7/1979	Shannon	D7/619.1
D257,068	S *	9/1980	Imhoff	D30/129
D257,494	S *	11/1980	Imhoff	D30/129
4,257,353	A *	3/1981	Imhoff	119/61.56
D260,043	S *	7/1981	Robinson	D30/129
4,488,697	A *	12/1984	Garvey	248/101
4,562,983	A *	1/1986	Klefbeck	248/97
4,572,251	A *	2/1986	Drury	141/1
4,587,930	A *	5/1986	Trego	119/61.57
D287,920	S *	1/1987	Lanier	D7/624.2
4,658,759	A *	4/1987	Brown	119/61.5
D289,807	S *	5/1987	Russell	D30/129
4,667,911	A *	5/1987	Farris et al.	248/97
4,899,967	A *	2/1990	Johnson	248/97
4,953,507	A *	9/1990	Robinson	119/73
D312,028	S *	11/1990	Pinette, Jr.	D7/624.1
D312,191	S *	11/1990	Pinette, Jr.	D7/624.1
5,000,123	A *	3/1991	Morse et al.	119/61.54
D316,014	S *	4/1991	Pinette, Jr.	D7/624.1
D316,501	S *	4/1991	Pinette, Jr.	D7/624.1
5,042,759	A *	8/1991	Blair	248/146
5,046,587	A *	9/1991	Jones	188/32
5,060,893	A *	10/1991	Halbert	248/97

(Continued)

Primary Examiner — Susan Moon Lee
(74) *Attorney, Agent, or Firm* — Harpman & Harpman

(56) **References Cited**

U.S. PATENT DOCUMENTS

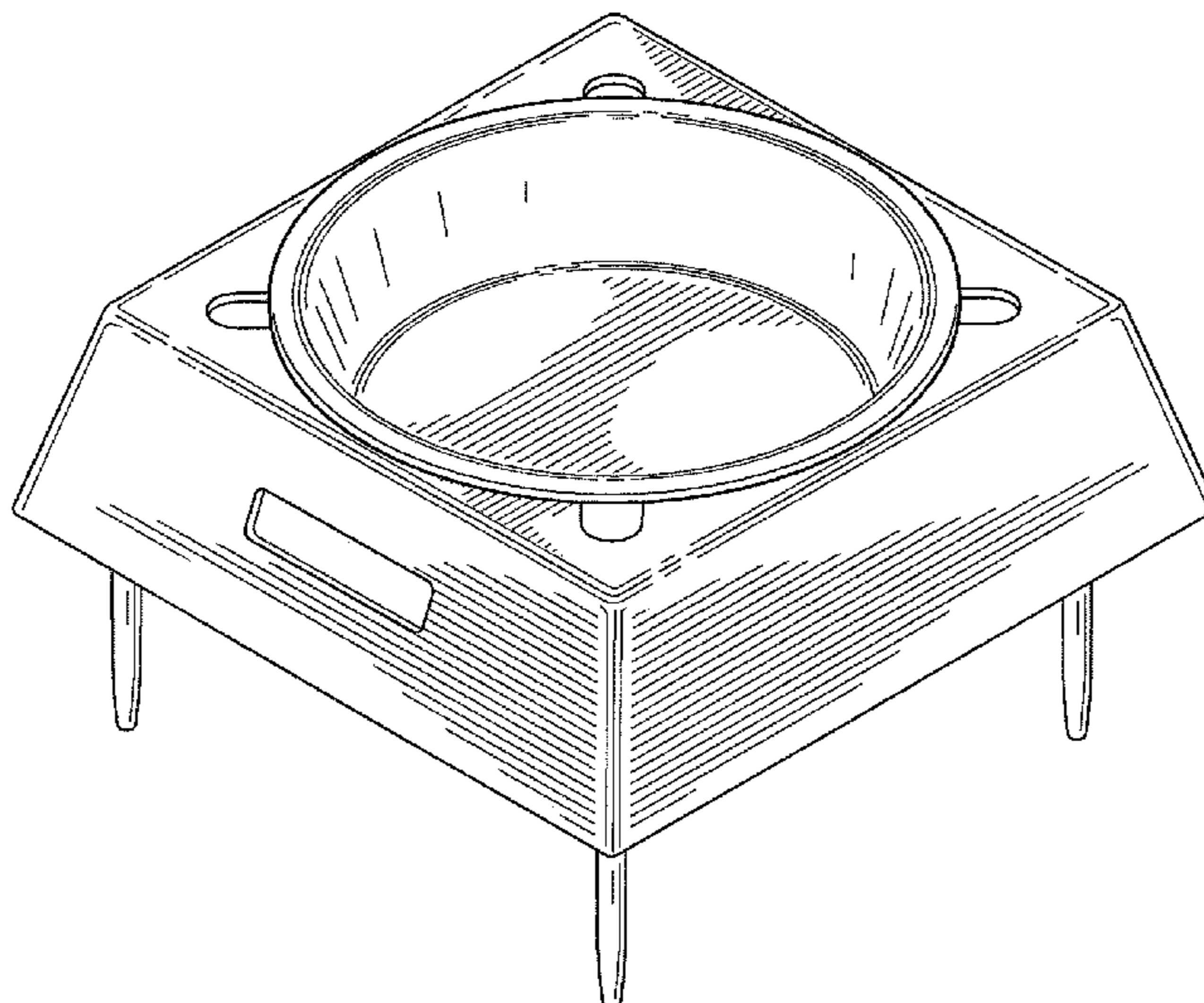
779,924	A *	1/1905	Gommel	47/41.01
D44,466	S *	8/1913	Brunhoff	D99/34
D44,657	S *	9/1913	Brunhoff	D99/34
1,342,807	A *	6/1920	Harrington	220/4.12
1,359,388	A *	11/1920	Koerner	47/47
1,560,404	A *	11/1925	Brown	47/47
1,779,867	A *	10/1930	Ahrold	248/146
1,912,728	A *	6/1933	Roe	248/346.11
2,061,957	A *	11/1936	Brown	312/228
2,106,436	A *	1/1938	Pyle	108/125
D132,421	S *	5/1942	Krapp	D30/133
2,366,584	A *	1/1945	Woodward	119/72
D148,608	S *	2/1948	Bullock	D30/104
D192,550	S *	4/1962	Wright	D7/366
3,259,106	A *	7/1966	Ray et al.	119/51.03
D231,887	S *	6/1974	Kephart	D6/484
D234,915	S *	4/1975	Freedman et al.	D9/572

(57) **CLAIM**
The ornamental design for a pet water dish, as shown and described.

DESCRIPTION

FIG. 1 is a front and side perspective view of the design for a pet water dish.
FIG. 2 is a bottom, front and side perspective view thereof.
FIG. 3 is a rear elevational view of the ornamental design for a pet water dish.
FIG. 4 is a right side elevational view thereof; and,
FIG. 5 is a bottom plan view of the ornamental design for a pet water dish.

1 Claim, 4 Drawing Sheets



(56)

References Cited

U.S. PATENT DOCUMENTS

- | | | | | | |
|--------------|------|---------|------------------|-------|------------|
| D321,498 | S * | 11/1991 | Jones | | D12/217 |
| 5,125,364 | A * | 6/1992 | Sagucio | | 119/61.53 |
| D330,816 | S * | 11/1992 | Phillips | | D6/457 |
| D331,792 | S * | 12/1992 | Wilcox | | D23/206 |
| D338,088 | S * | 8/1993 | Bailey | | D30/131 |
| 5,285,749 | A * | 2/1994 | Byer | | 119/61.53 |
| 5,347,979 | A * | 9/1994 | Haber | | 126/43 |
| 5,445,350 | A * | 8/1995 | Rigsby | | 248/313 |
| D363,255 | S * | 10/1995 | Helms et al. | | D11/164 |
| 5,499,787 | A * | 3/1996 | Bonomo | | 248/97 |
| 5,509,376 | A * | 4/1996 | Tsengas | | 119/51.5 |
| D378,149 | S * | 2/1997 | Mann | | D30/133 |
| 5,619,952 | A * | 4/1997 | Walker | | 119/61.53 |
| D383,225 | S * | 9/1997 | Wolfard et al. | | D26/23 |
| D383,271 | S * | 9/1997 | Eshelman | | D32/54 |
| 5,730,083 | A * | 3/1998 | Walker | | 83/699.41 |
| 5,794,565 | A * | 8/1998 | Beshah | | 119/61.54 |
| 5,839,711 | A * | 11/1998 | Bieck et al. | | 248/313 |
| D405,290 | S * | 2/1999 | Hollinger | | D6/403 |
| D406,925 | S * | 3/1999 | Sharon | | D30/129 |
| D412,605 | S * | 8/1999 | Sharon | | D30/129 |
| 5,992,662 | A * | 11/1999 | Holt et al. | | 215/395 |
| 5,996,531 | A * | 12/1999 | Anderson | | 119/61.53 |
| 6,047,849 | A * | 4/2000 | Schwegman et al. | | 220/737 |
| D426,752 | S * | 6/2000 | Whaley | | D7/619.1 |
| 6,089,187 | A * | 7/2000 | Gaspary | | 119/61.5 |
| D446,361 | S * | 8/2001 | Elliott | | D30/129 |
| D448,978 | S * | 10/2001 | Isbell | | D7/619.1 |
| 6,302,291 | B1 * | 10/2001 | McCleerey | | 220/630 |
| D451,709 | S * | 12/2001 | Heithecker | | D6/472 |
| D456,307 | S * | 4/2002 | Fan | | D11/152 |
| D460,717 | S * | 7/2002 | Fan | | D11/152 |
| 6,513,280 | B2 * | 2/2003 | Roberts | | 43/109 |
| D494,325 | S * | 8/2004 | Paterson | | D30/121 |
| 6,783,023 | B1 * | 8/2004 | Fan | | 220/571 |
| 6,840,191 | B2 * | 1/2005 | Gaspary et al. | | 119/61.5 |
| D505,625 | S * | 5/2005 | Servaux et al. | | D9/560 |
| D515,877 | S * | 2/2006 | Czepowicz et al. | | D7/619.1 |
| D515,878 | S * | 2/2006 | Czepowicz et al. | | D7/619.1 |
| 7,077,074 | B2 * | 7/2006 | Polimeni, Jr. | | 119/61.56 |
| D526,537 | S * | 8/2006 | Rosenberg et al. | | D7/619.1 |
| D529,838 | S * | 10/2006 | Boling | | D11/164 |
| 7,328,663 | B2 * | 2/2008 | Leng | | 108/157.14 |
| D579,784 | S * | 11/2008 | Varlet | | D9/546 |
| D608,600 | S * | 1/2010 | Wood et al. | | D7/605 |
| 7,665,417 | B1 * | 2/2010 | Harper | | 119/51.01 |
| 7,730,852 | B2 * | 6/2010 | Kramer | | 119/61.5 |
| D625,885 | S * | 10/2010 | Bianchi | | D30/129 |
| 8,006,433 | B1 * | 8/2011 | Bryanton | | 47/45 |
| D653,088 | S * | 1/2012 | Hansen et al. | | D7/624.1 |
| 8,087,528 | B1 * | 1/2012 | Scarlett et al. | | 220/23.89 |
| D653,914 | S * | 2/2012 | Lutz | | D7/624.1 |
| D655,054 | S * | 2/2012 | Lipscomb et al. | | D30/129 |
| D659,913 | S * | 5/2012 | Spectre et al. | | D30/130 |
| D665,541 | S * | 8/2012 | Shamoon | | D30/133 |
| D665,871 | S * | 8/2012 | Coupe et al. | | D23/206 |
| D667,698 | S * | 9/2012 | Tupy et al. | | D7/619.1 |
| 8,342,129 | B2 * | 1/2013 | Harper | | 119/61.5 |
| 8,353,496 | B2 * | 1/2013 | Schwartz | | 248/346.03 |
| D677,128 | S * | 3/2013 | Roesser | | D7/625 |
| D679,553 | S * | 4/2013 | Williams et al. | | D7/619.1 |
| D682,485 | S * | 5/2013 | Wygle | | D30/133 |
| D682,982 | S * | 5/2013 | Wood et al. | | D23/206 |
| 8,540,108 | B2 * | 9/2013 | Kim | | 220/574.2 |
| 2002/0179796 | A1 * | 12/2002 | Kaupp et al. | | 248/311.2 |
| 2004/0011934 | A1 * | 1/2004 | Czepowicz et al. | | 248/311.2 |
| 2004/0021048 | A1 * | 2/2004 | Schaal | | 248/310 |
| 2004/0118860 | A1 * | 6/2004 | Leopold et al. | | 220/737 |
| 2004/0182326 | A1 * | 9/2004 | Polimeni, Jr. | | 119/51.5 |
| 2005/0039689 | A1 * | 2/2005 | Mossmer | | 119/61.5 |
| 2005/0139162 | A1 * | 6/2005 | Polimeni | | 119/51.5 |
| 2006/0113200 | A1 * | 6/2006 | Abkarian et al. | | 206/217 |
| 2010/0102073 | A1 * | 4/2010 | Henrie | | 220/737 |
| 2010/0275852 | A1 * | 11/2010 | Lipscomb et al. | | 119/61.5 |

* cited by examiner

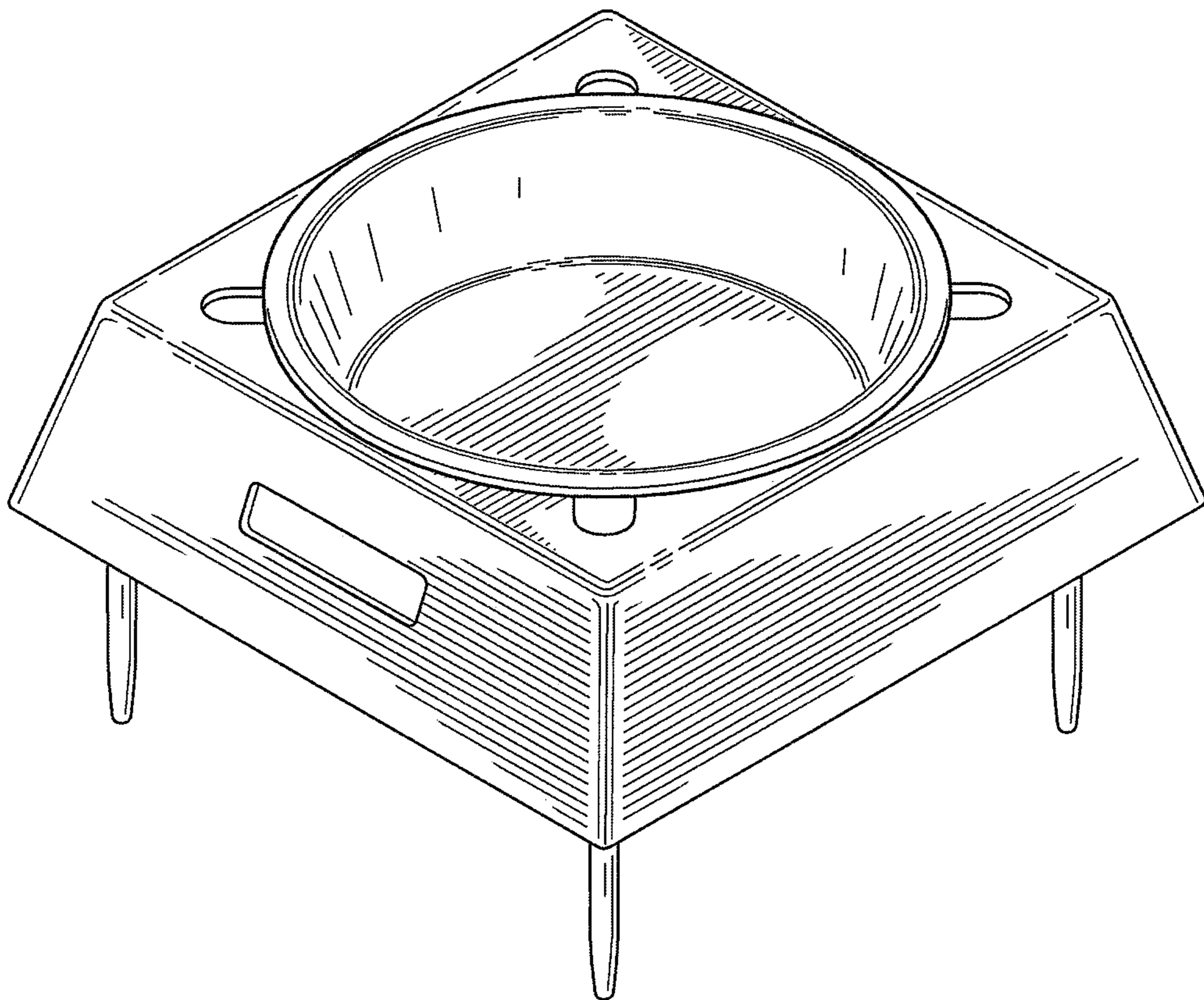


FIG. 1

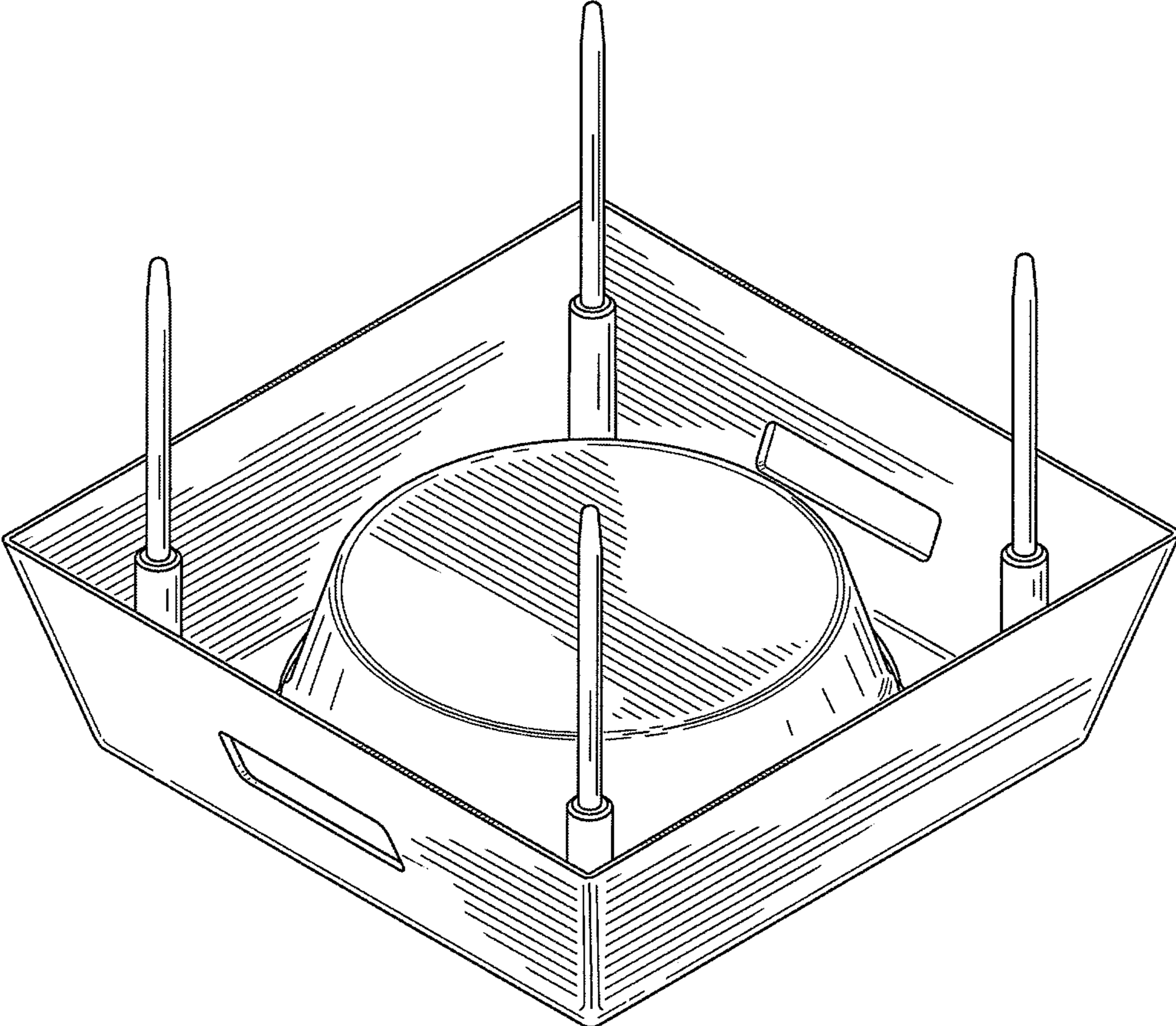


FIG. 2

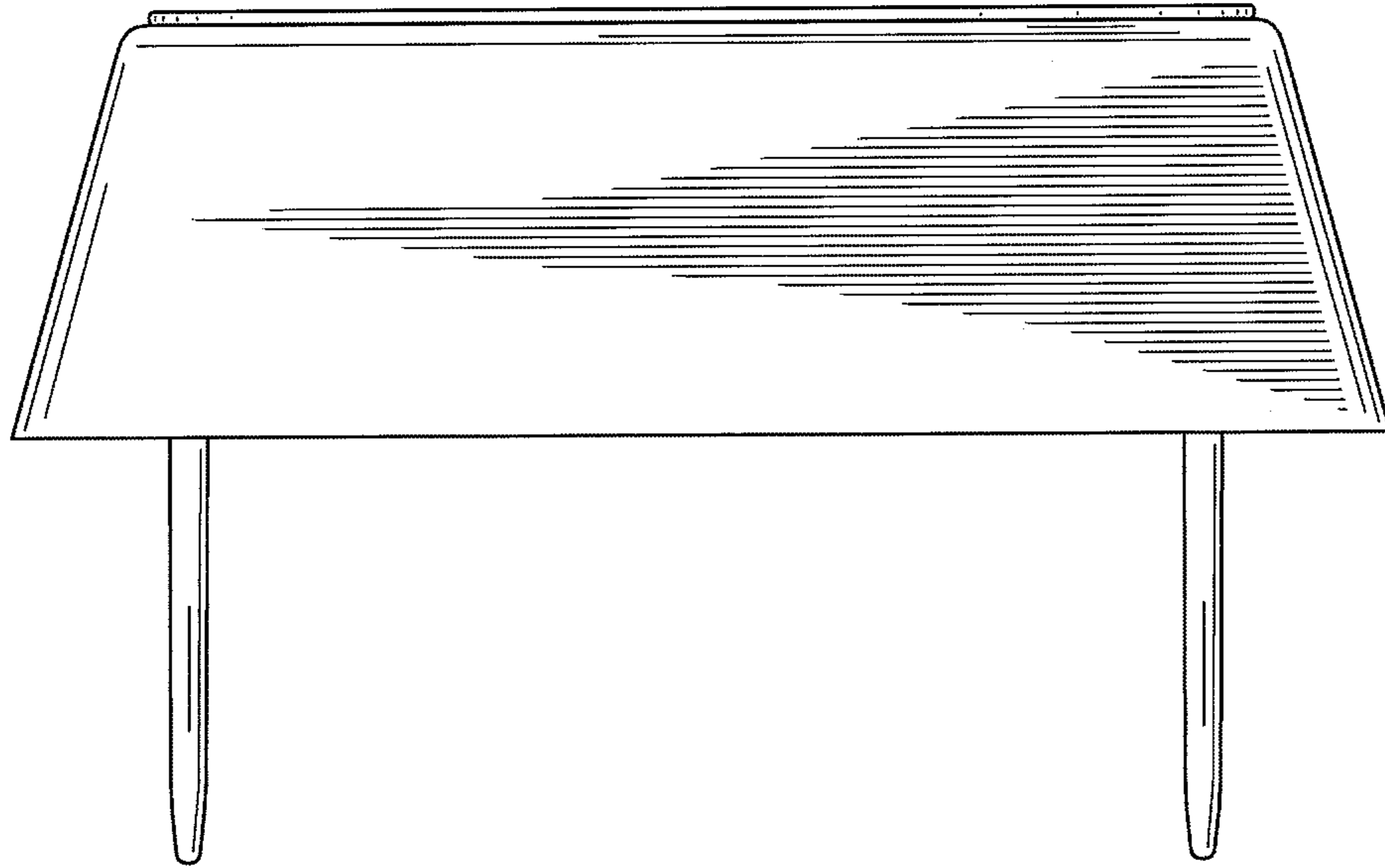


FIG. 3

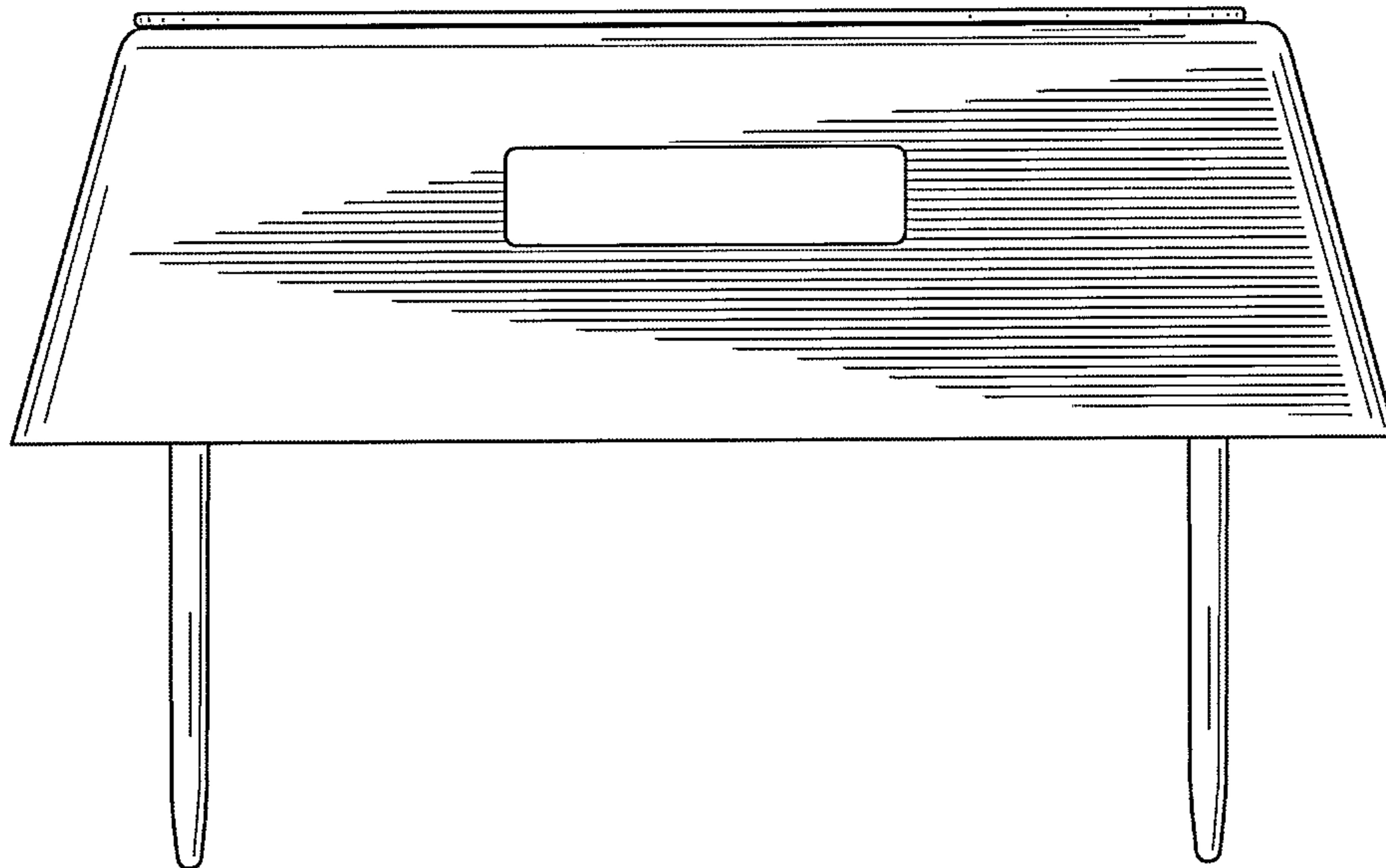


FIG. 4

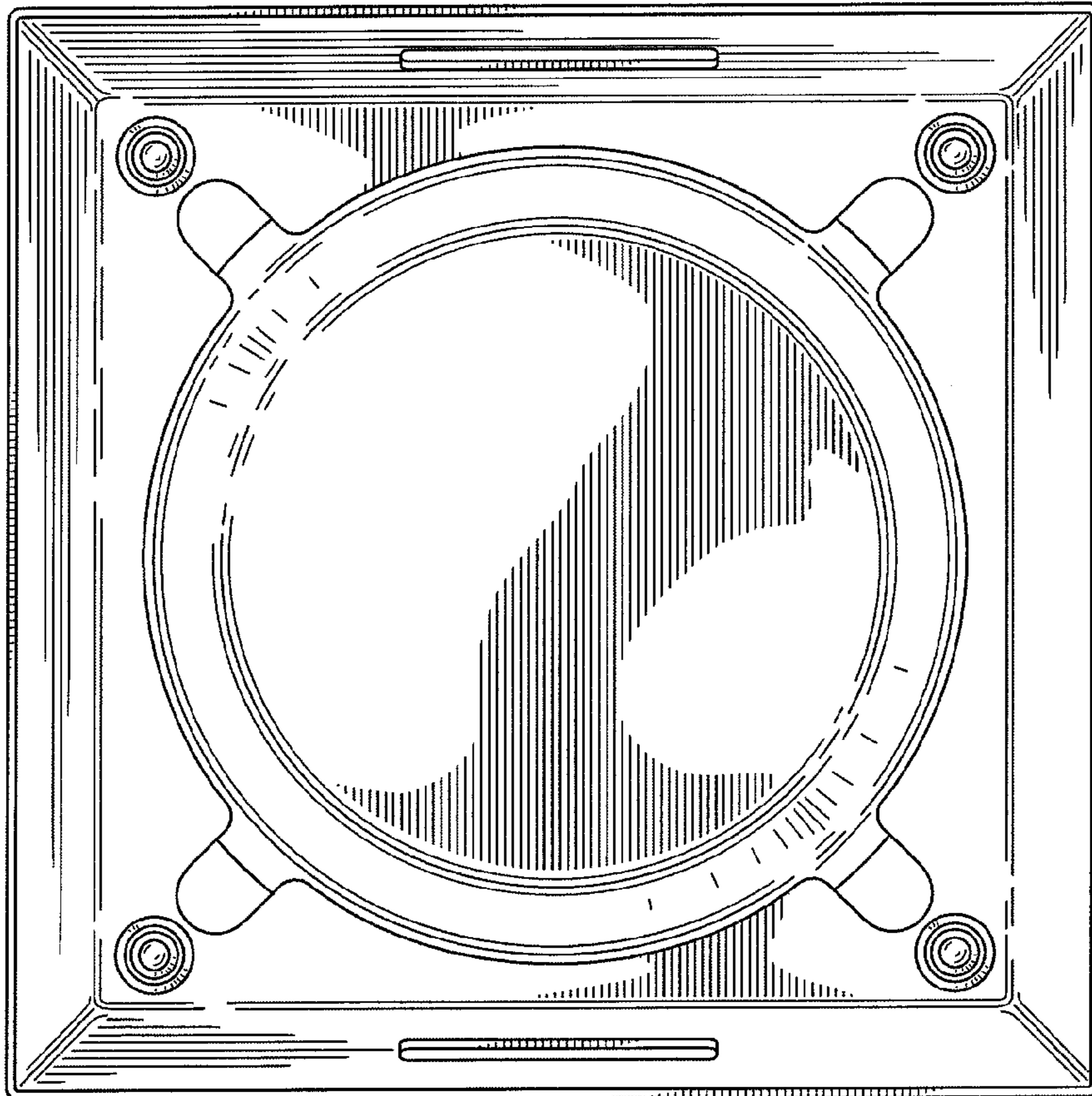


FIG. 5