



US00D700744S

(12) **United States Design Patent**
An

(10) **Patent No.:** **US D700,744 S**
(45) **Date of Patent:** **** Mar. 4, 2014**

(54) **TUBE FOR REMOVING NAIL POLISH**
(76) Inventor: **Suck Doo An**, Hwaseong-si (KR)
(**) Term: **14 Years**
(21) Appl. No.: **29/411,896**
(22) Filed: **Jan. 27, 2012**
(30) **Foreign Application Priority Data**

Aug. 3, 2011 (KR) 30-2011-0032364

(51) **LOC (10) Cl.** **28-03**
(52) **U.S. Cl.**

USPC **D28/57**

(58) **Field of Classification Search**
USPC D28/56-57; 132/73, 73.5, 74.5, 75;
15/210.1, 244.1, 244.4, 104.94
See application file for complete search history.

(56) **References Cited**

U.S. PATENT DOCUMENTS

1,750,451	A *	3/1930	Wrightson et al.	132/75.6
2,358,440	A *	9/1944	Bowman	2/21
3,369,553	A *	2/1968	Keesee	132/73.5
4,321,936	A *	3/1982	Chaconas	132/75
4,397,324	A *	8/1983	Thomas, Jr.	132/73.5
5,065,778	A *	11/1991	Terrell	132/74.5
5,388,597	A *	2/1995	Smith et al.	132/73.5
5,806,536	A *	9/1998	Tietjen	132/73
5,810,021	A *	9/1998	Walker	132/74.5

5,850,953	A *	12/1998	Dallas, Jr.	222/571
5,855,212	A *	1/1999	Walker	132/73.5
6,116,248	A *	9/2000	Walker	132/74.5
6,634,367	B2 *	10/2003	Abraham et al.	132/74.5
7,137,396	B2 *	11/2006	Okane	132/200

* cited by examiner

Primary Examiner — Jennifer Rivard
(74) *Attorney, Agent, or Firm* — Novick, Kim & Lee, PLLC;
Jae Youn Kim

(57) **CLAIM**

I claim, the ornamental design for a tube for removing nail polish, as shown and described.

DESCRIPTION

FIG. 1 is a perspective view of a tube for removing nail polish, showing my new design;
FIG. 2 is a front elevational view thereof;
FIG. 3 is a rear elevational view thereof;
FIG. 4 is a left side elevational view thereof;
FIG. 5 is a right side elevational view thereof;
FIG. 6 is a top plan view thereof;
FIG. 7 is a bottom plan view thereof;
FIG. 8 is a perspective view of the nail tube showing a cap with a tube; and,
FIG. 9 is a cross-sectional view taken along line 9-9 in FIG. 6.

1 Claim, 9 Drawing Sheets

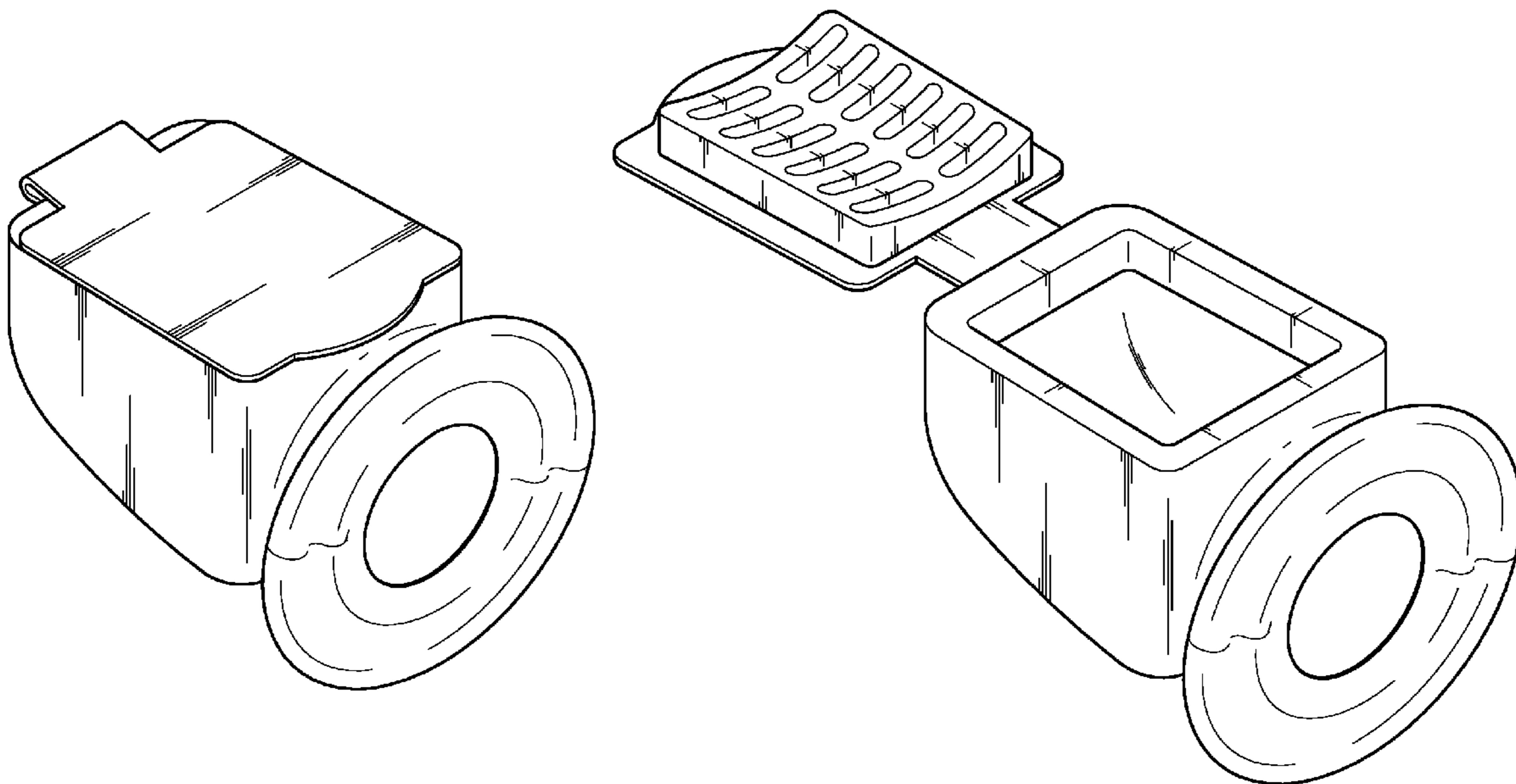


FIG.1

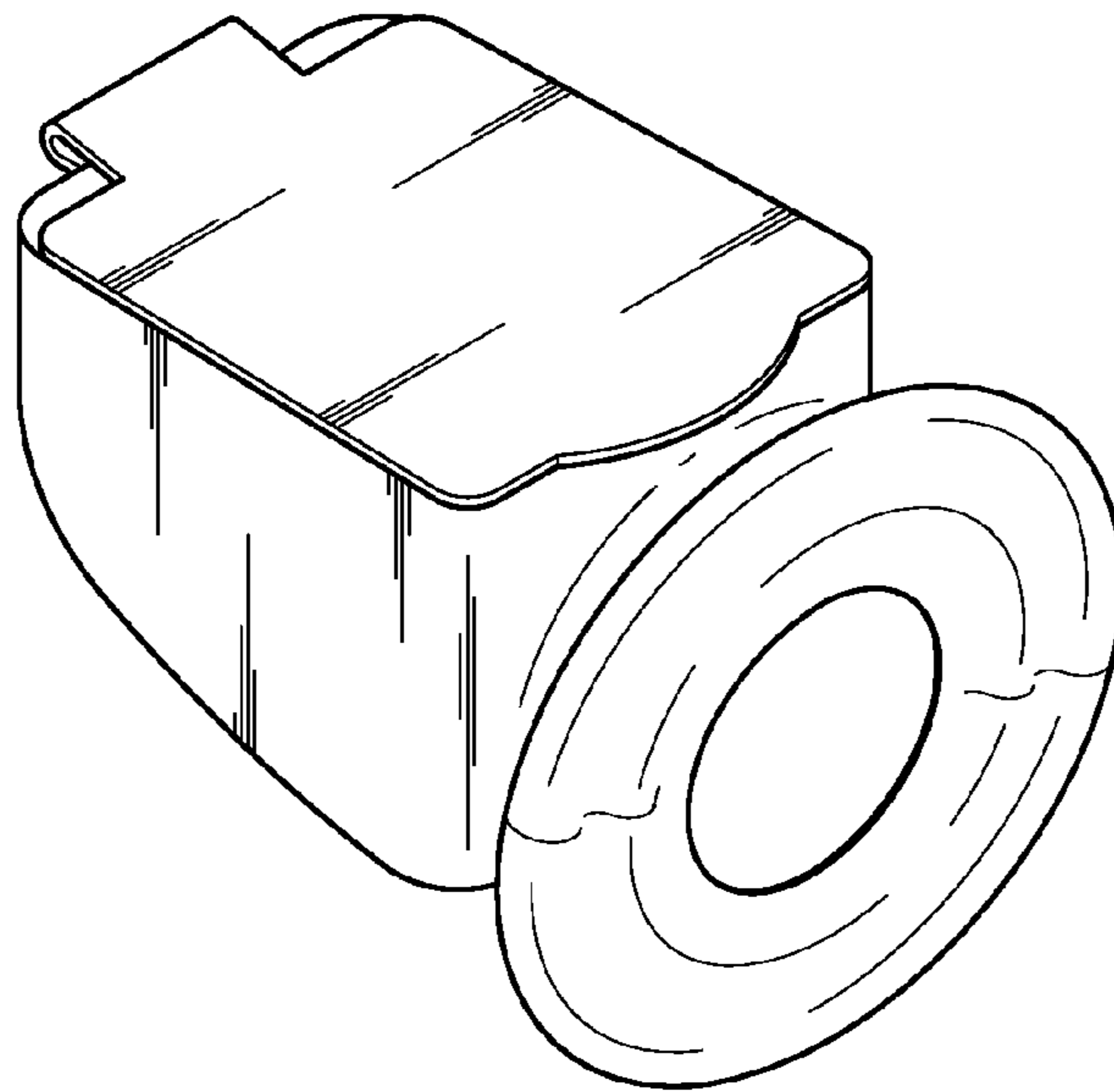


FIG. 2

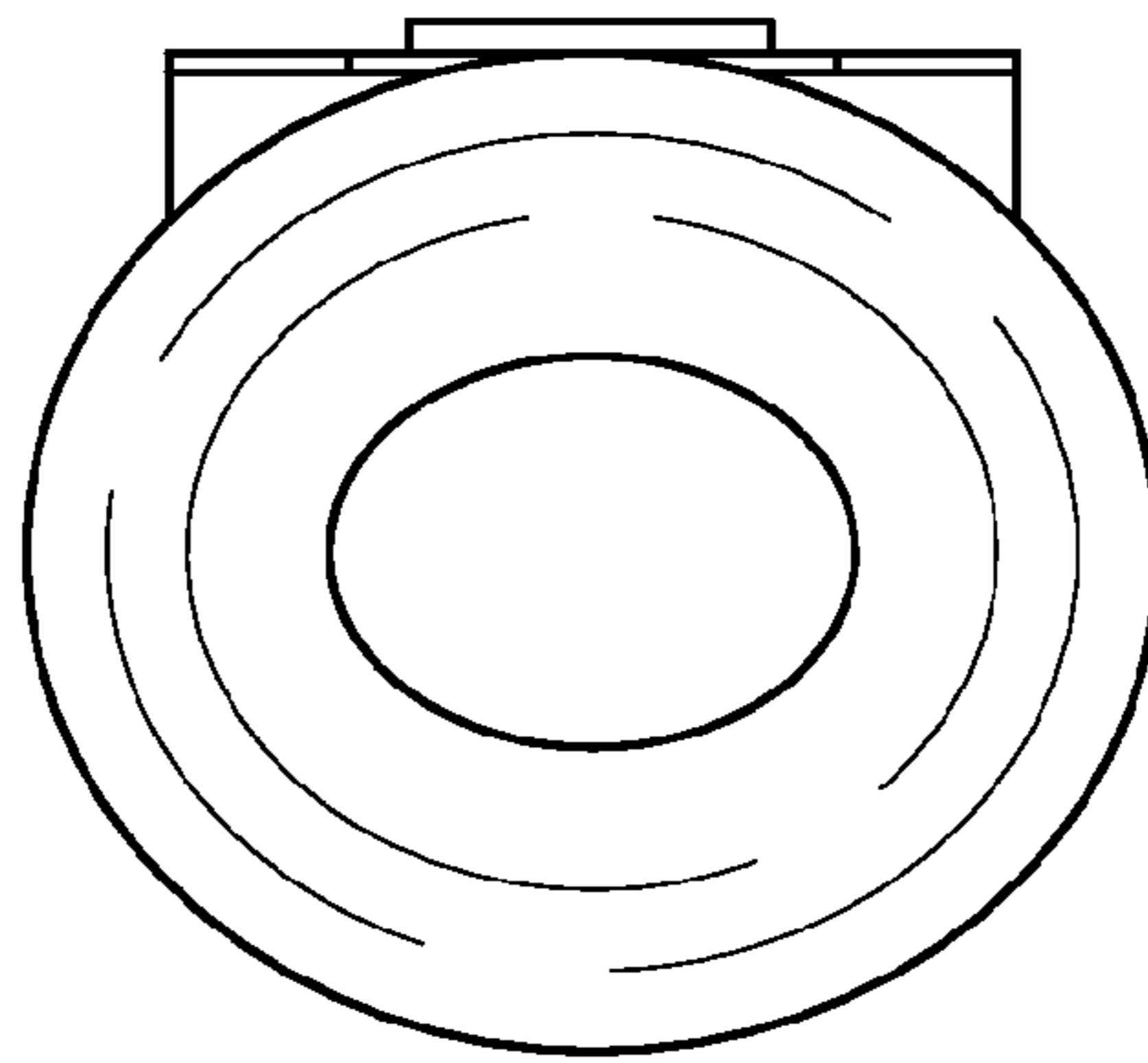


FIG.3

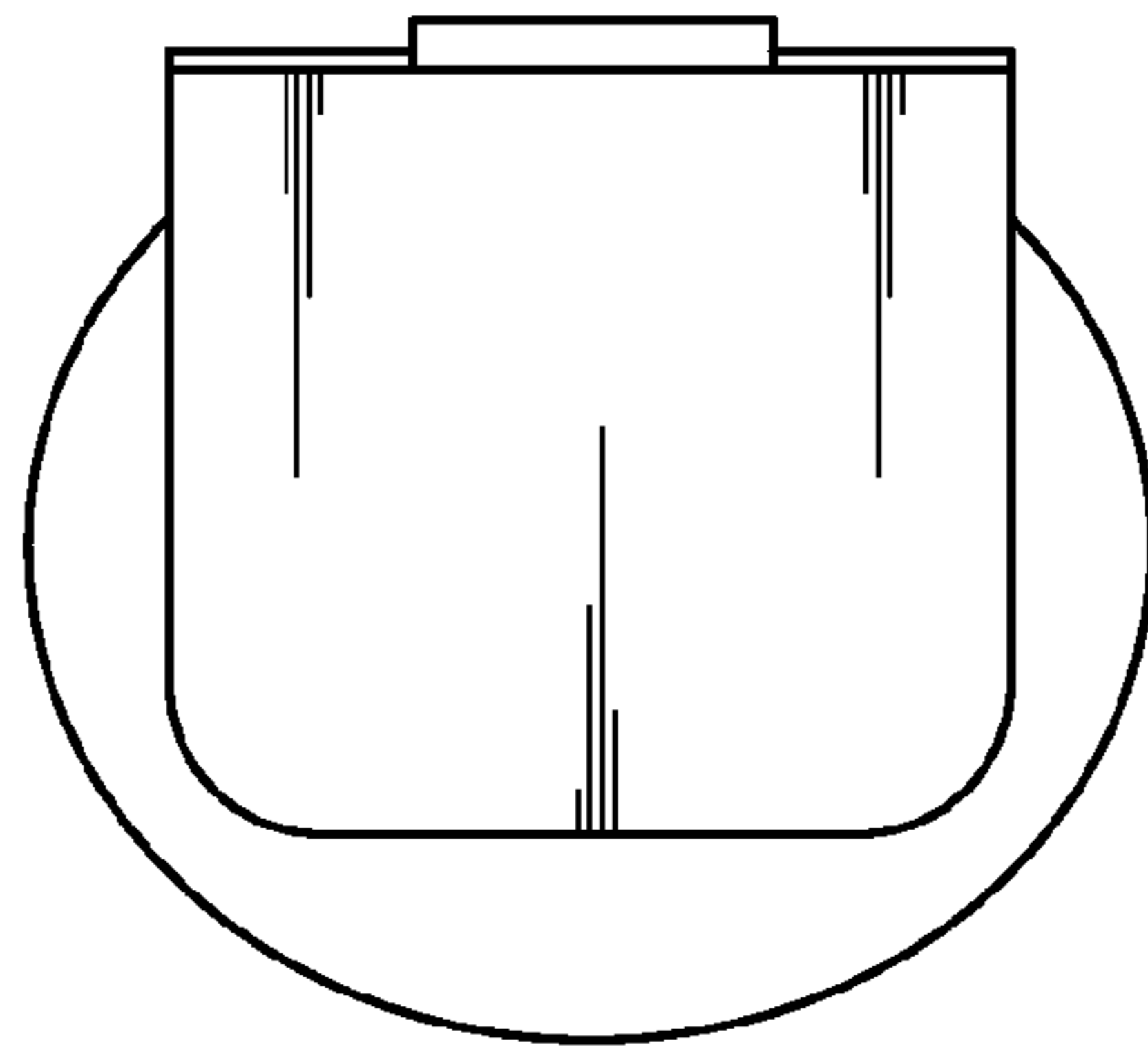


FIG. 4

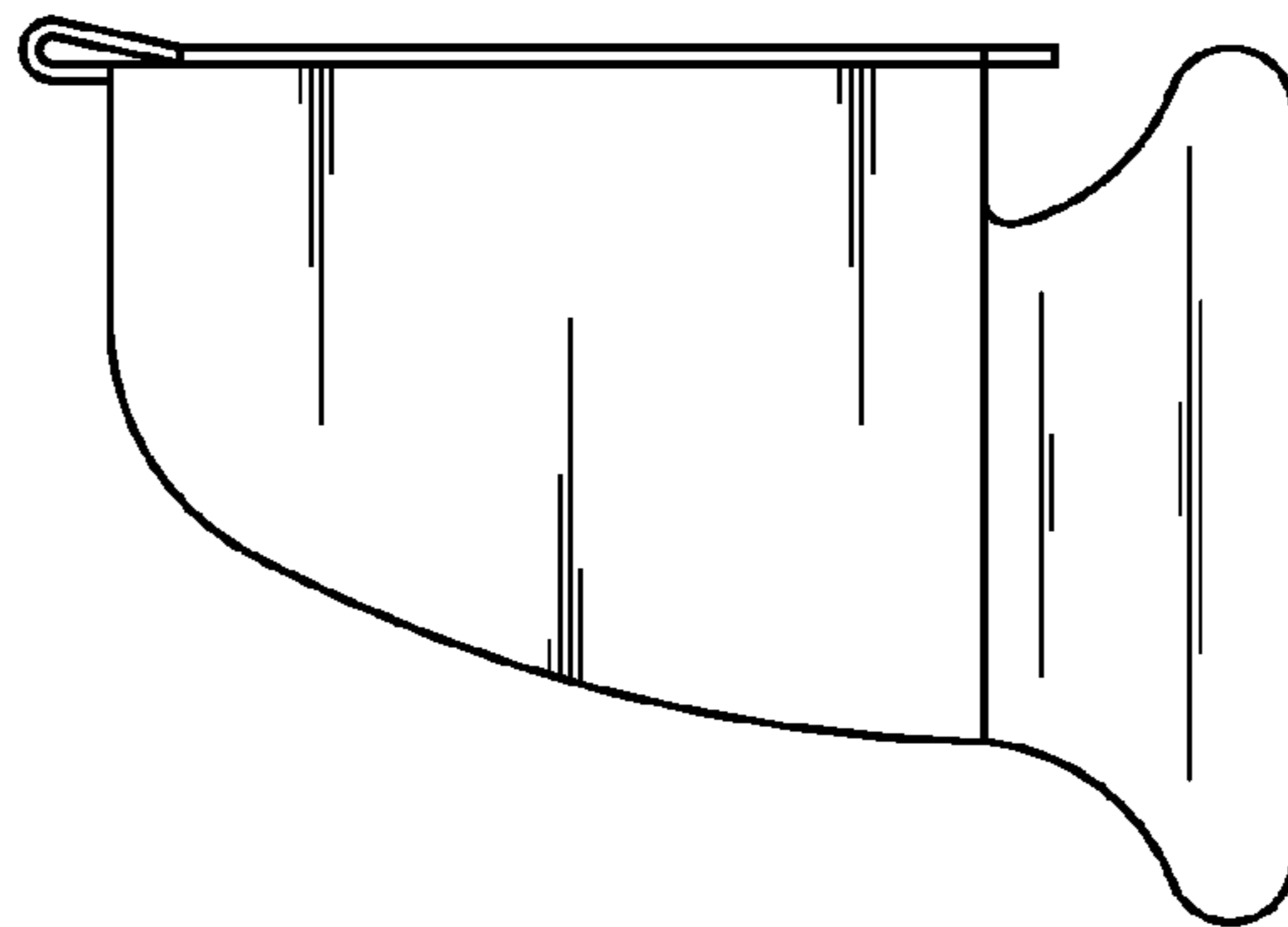


FIG.5

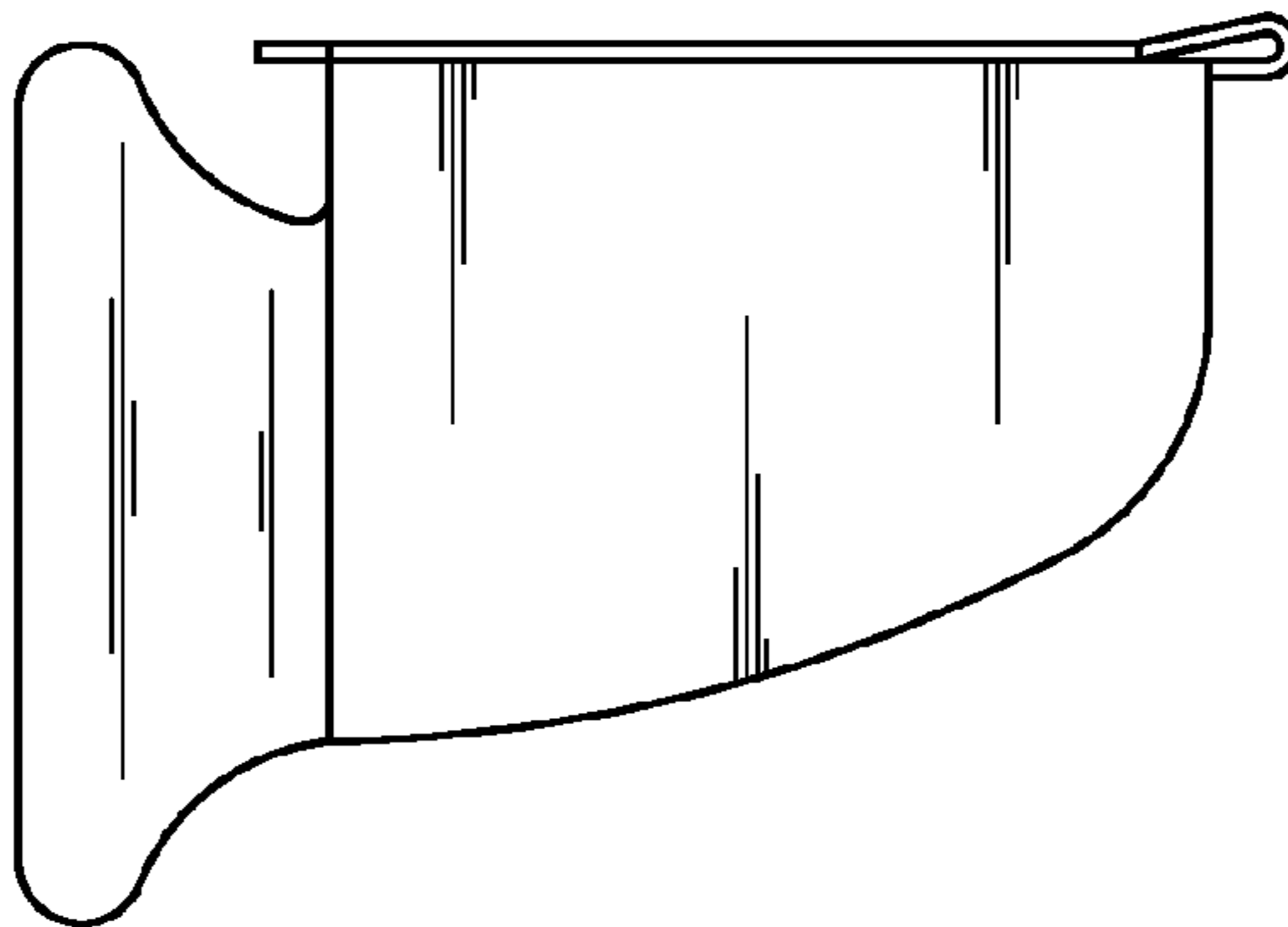


FIG.6

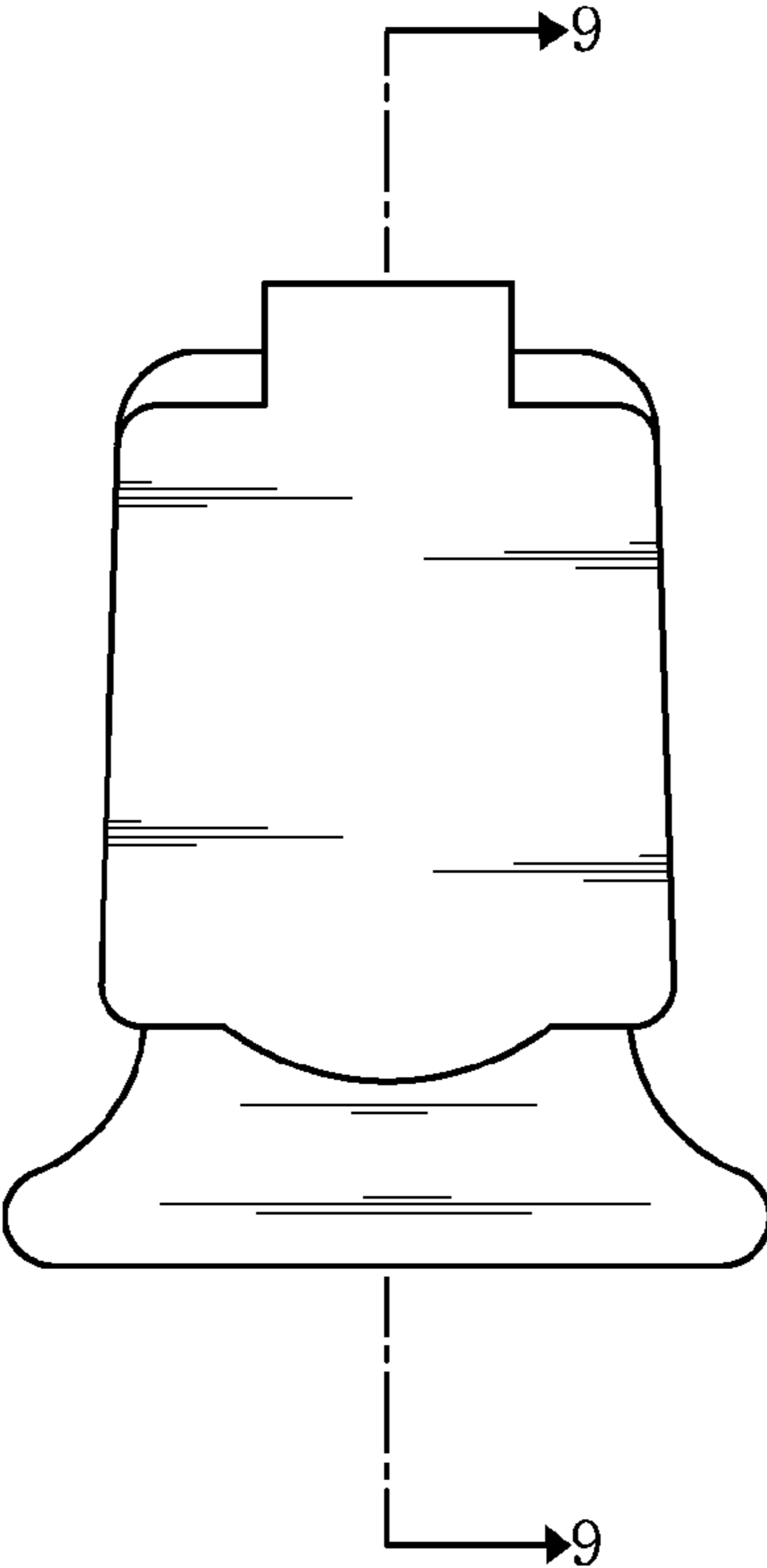


FIG.7

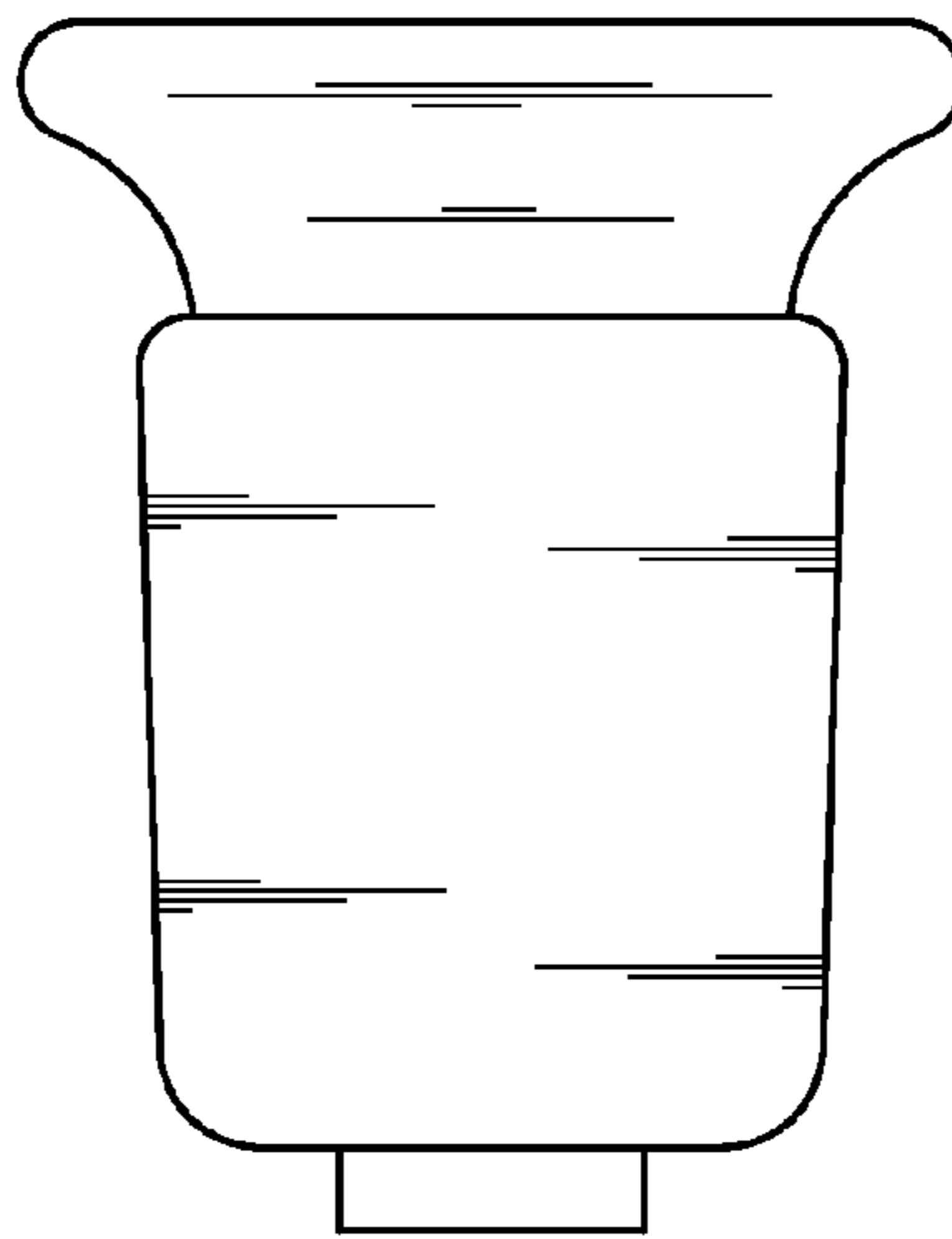


FIG.8

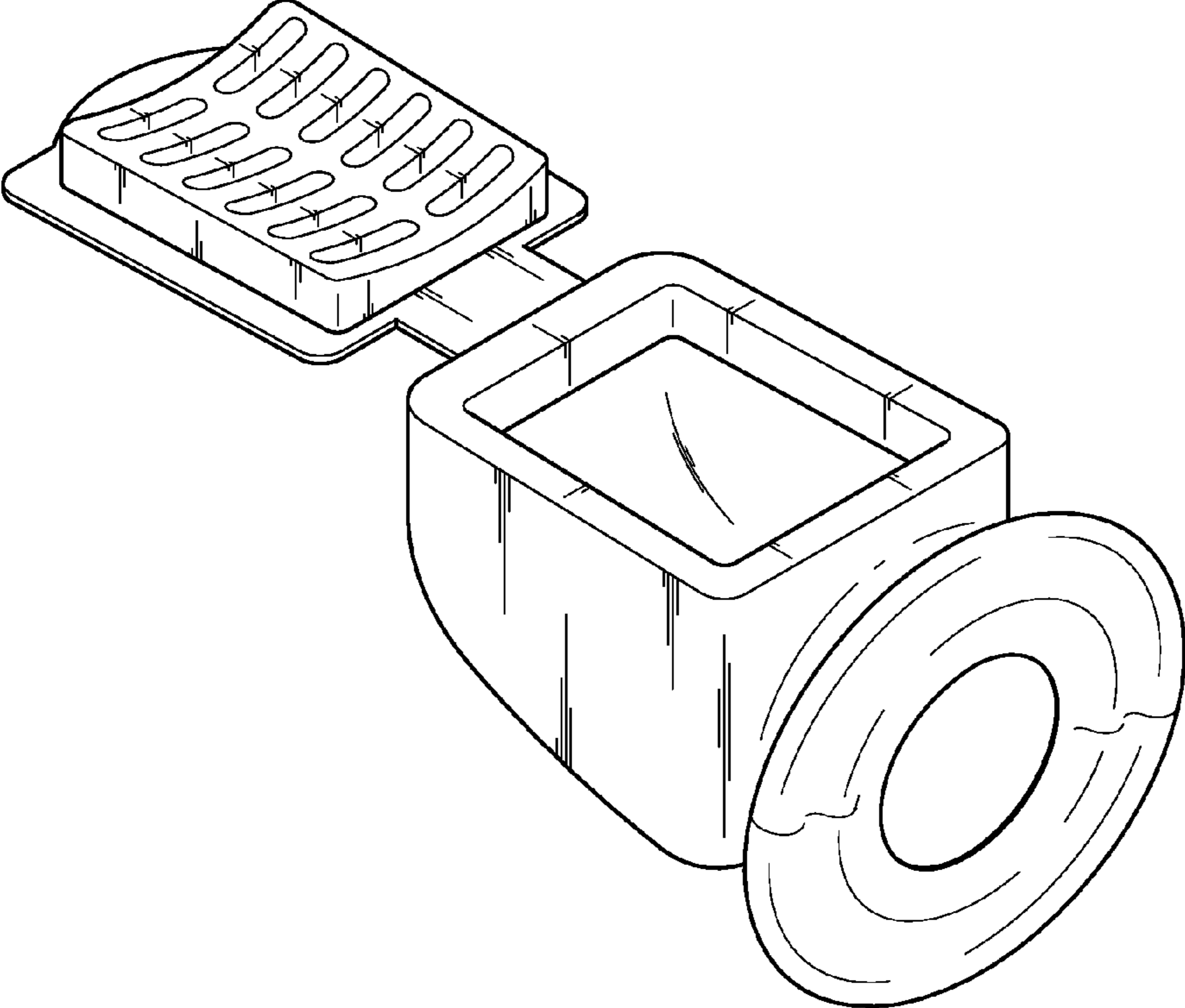


FIG.9

