



US00D700743S

(12) **United States Design Patent**  
**Chiu et al.**

(10) **Patent No.:** **US D700,743 S**  
(45) **Date of Patent:** **\*\* Mar. 4, 2014**

(54) **ELECTRIC HAIR CLIPPER**

FOREIGN PATENT DOCUMENTS

(71) Applicant: **Panasonic Corporation**, Kadoma (JP)  
(72) Inventors: **Stephen Chihung Chiu**, Kyoto (JP);  
**Aya Watanabe**, Tokyo (JP)

CN 3398381 10/2004  
EM 001853771-0001 4/2011  
JP D1243692 S 6/2005  
JP D1364509 S 7/2009

\* cited by examiner

(73) Assignee: **Panasonic Corporation**, Osaka (JP)

*Primary Examiner* — Jennifer Rivard

(\*\*) Term: **14 Years**

(74) *Attorney, Agent, or Firm* — Brinks Gilson & Lione

(21) Appl. No.: **29/443,442**

(57) **CLAIM**

We claim the ornamental design for an electric hair clipper, as shown and described.

(22) Filed: **Jan. 17, 2013**

**DESCRIPTION**

(30) **Foreign Application Priority Data**

Sep. 27, 2012 (JP) ..... 2012-023406

Sep. 27, 2012 (JP) ..... 2012-023407

(51) **LOC (10) Cl.** ..... **28-03**

(52) **U.S. Cl.**  
USPC ..... **D28/54**

(58) **Field of Classification Search**  
USPC ..... D28/49-54, 44-48; 30/34.05, 32, 34.1,  
30/34.2, 43-43.92, 526-527, 44-45, 341,  
30/272.1, 226-227, 231, 233-233.5, 537  
See application file for complete search history.

FIG. 1 is a front perspective view of an electric hair clipper of the present invention;  
FIG. 2 is a rear perspective view thereof;  
FIG. 3 is a front view thereof;  
FIG. 4 is a first side view thereof;  
FIG. 5 is a second side view thereof;  
FIG. 6 is a top view thereof;  
FIG. 7 is a rear view thereof;  
FIG. 8 is a bottom view thereof;  
FIG. 9 is a cross-sectional view taken along line 9-9 of FIG. 3; and,  
FIG. 10 is a cross-sectional view taken along line 10-10 of FIG. 3.  
In FIGS. 9, and 10, the members defined by cross-sectional hatching with narrowly spaced strokes are transparent. The evenly spaced broken lines illustrate the environment of the claimed design. The dash dot broken lines illustrate the bounds of the claimed design. None of the broken lines forms part of the claimed design. Additionally, the unevenly broken lines in the drawings define the limits of the claimed design. The oblique shade lines shown in FIGS. 1, 3, 4, 5, and 8 represent transparent surfaces. The stippling shown in FIGS. 1, 3, 4, 5 and 8 represents the shapes of the inner surfaces of the transparent members.

(56) **References Cited**

U.S. PATENT DOCUMENTS

D402,406 S 12/1998 Jacobs  
D447,284 S \* 8/2001 Micinilio ..... D28/49  
D502,785 S \* 3/2005 Leventhal ..... D28/51  
D577,863 S \* 9/2008 Kubono et al. .... D28/49  
D609,859 S \* 2/2010 Hara et al. .... D28/44.1  
D610,307 S \* 2/2010 Hara et al. .... D28/51  
D652,168 S \* 1/2012 Kling et al. .... D28/44  
D681,878 S \* 5/2013 Oomaki ..... D28/54

**1 Claim, 10 Drawing Sheets**

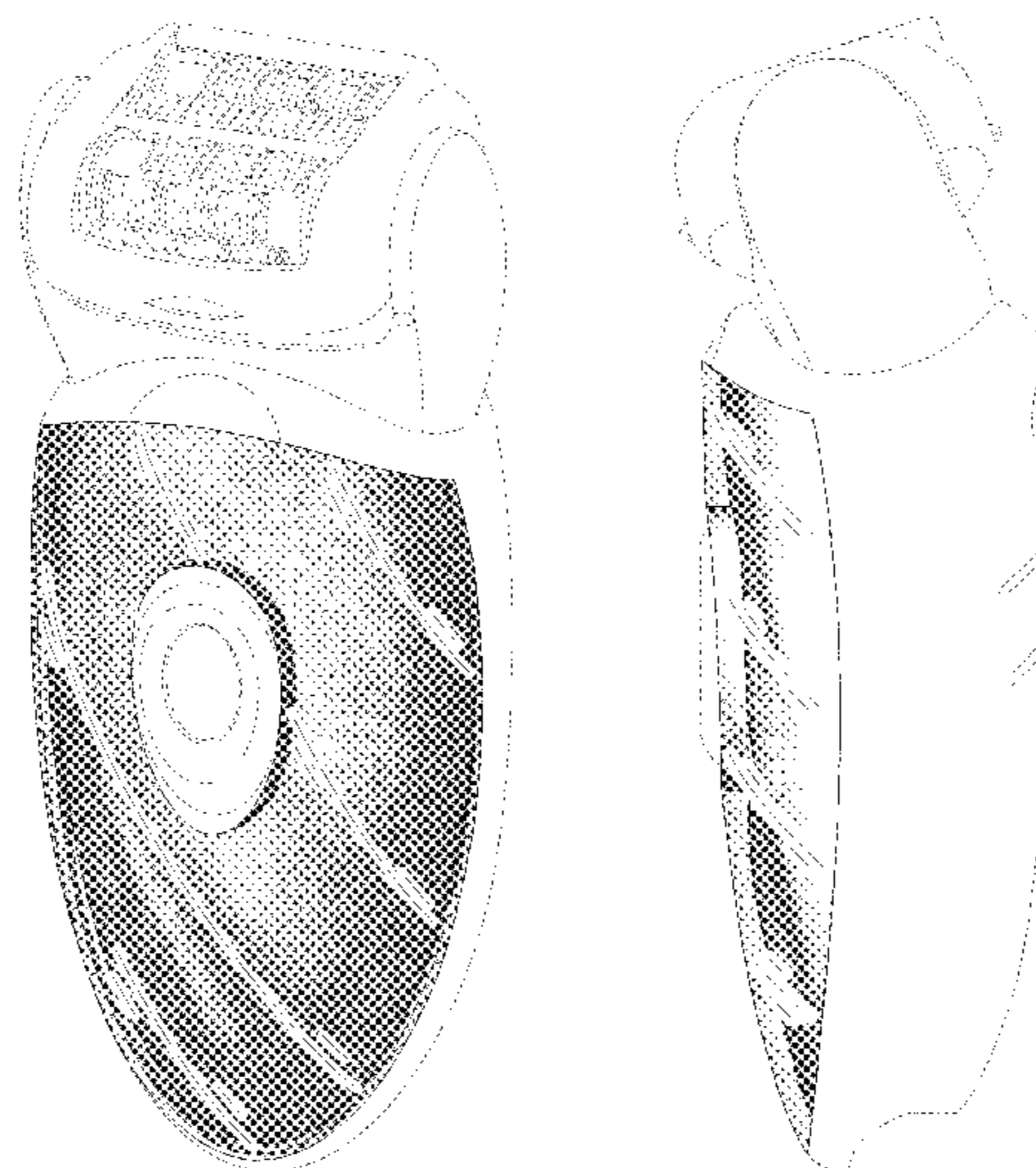


FIG.1

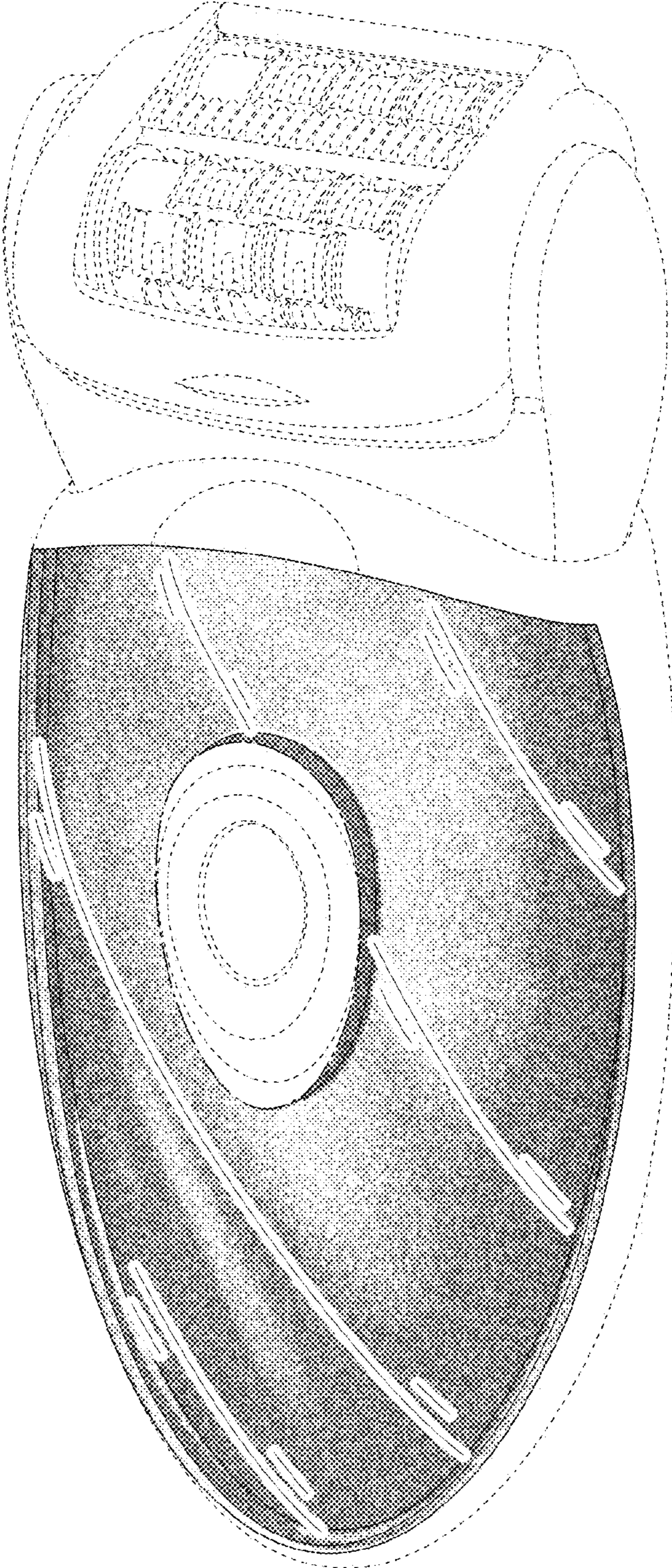


FIG.2

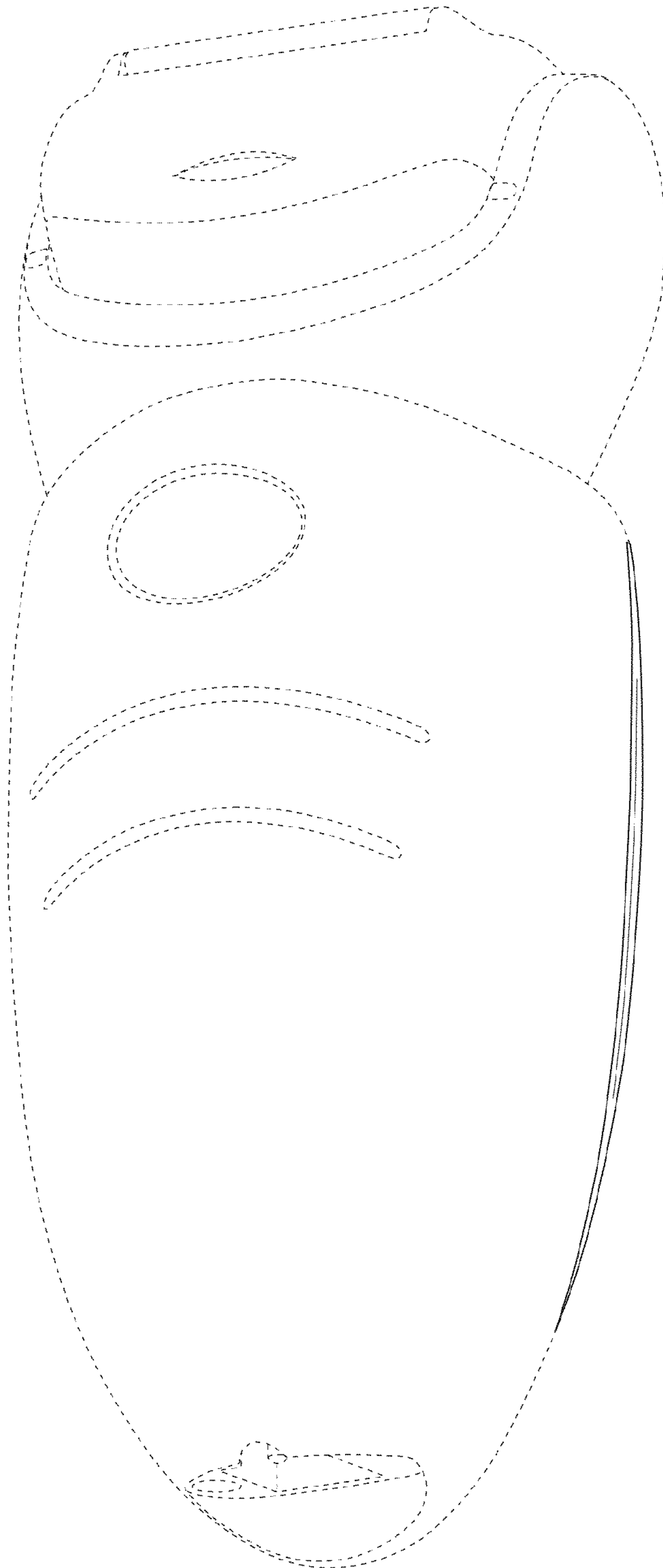


FIG.3

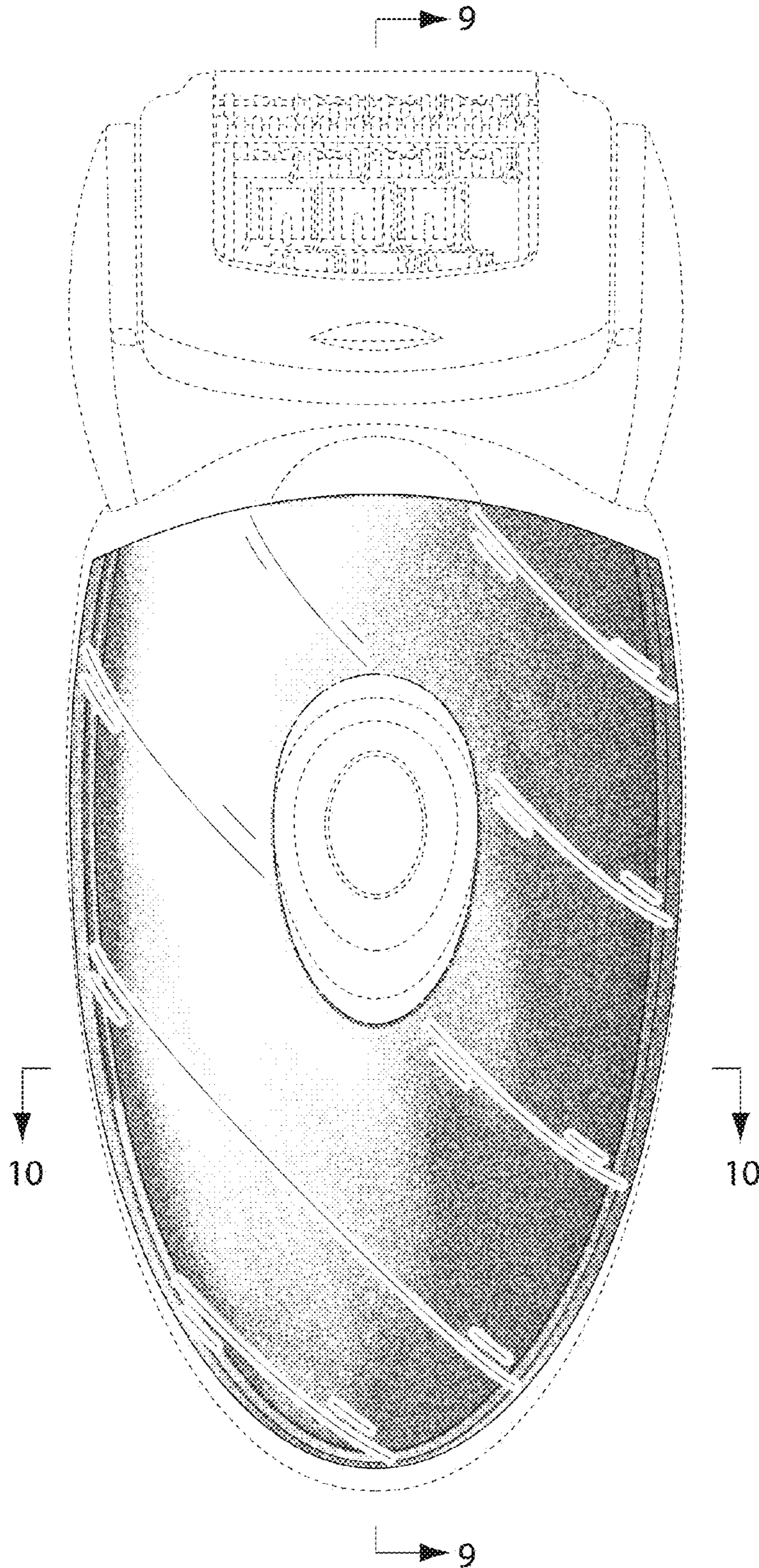


FIG.4

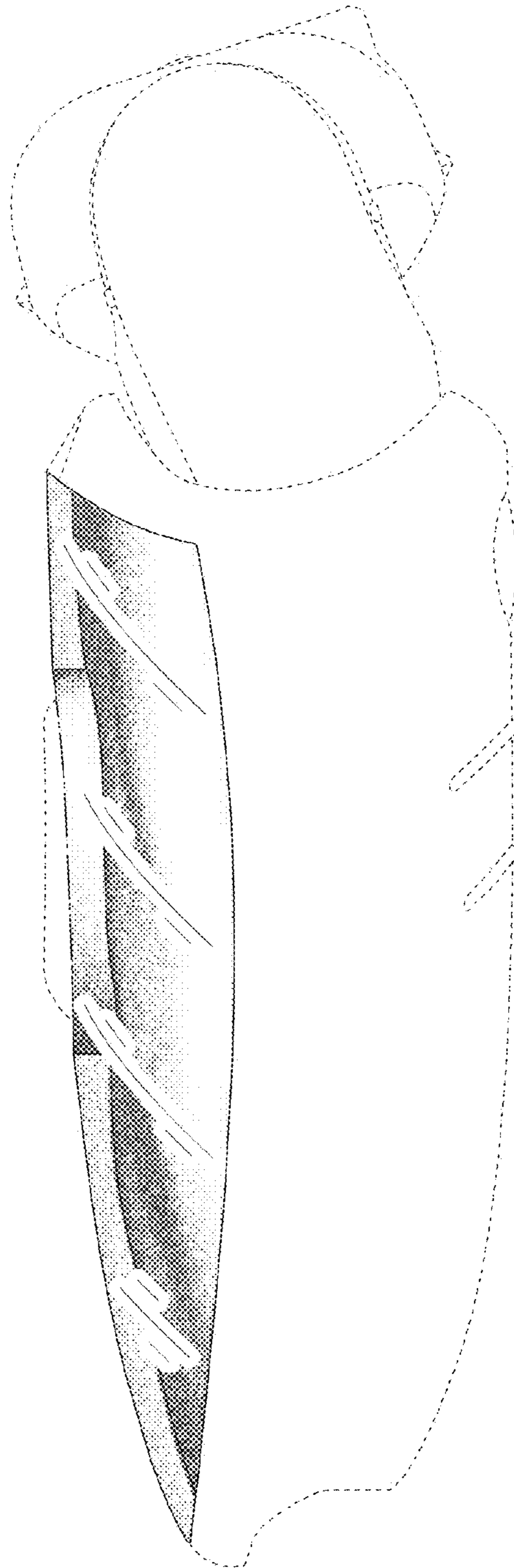


FIG.5

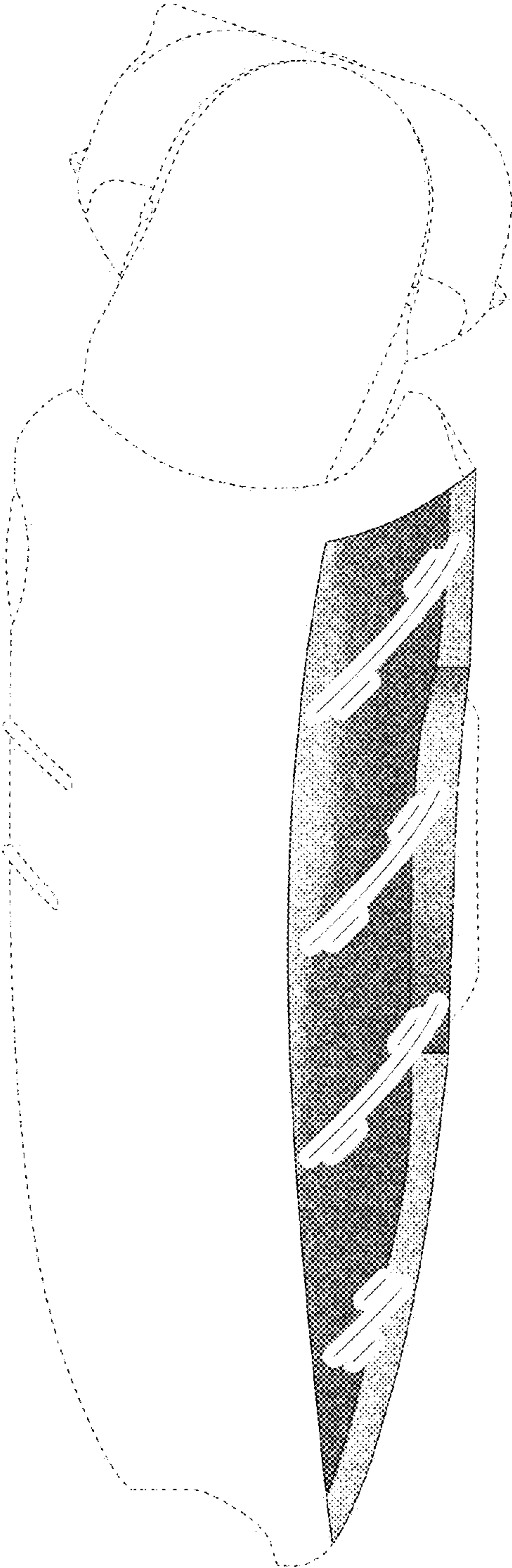


FIG.6

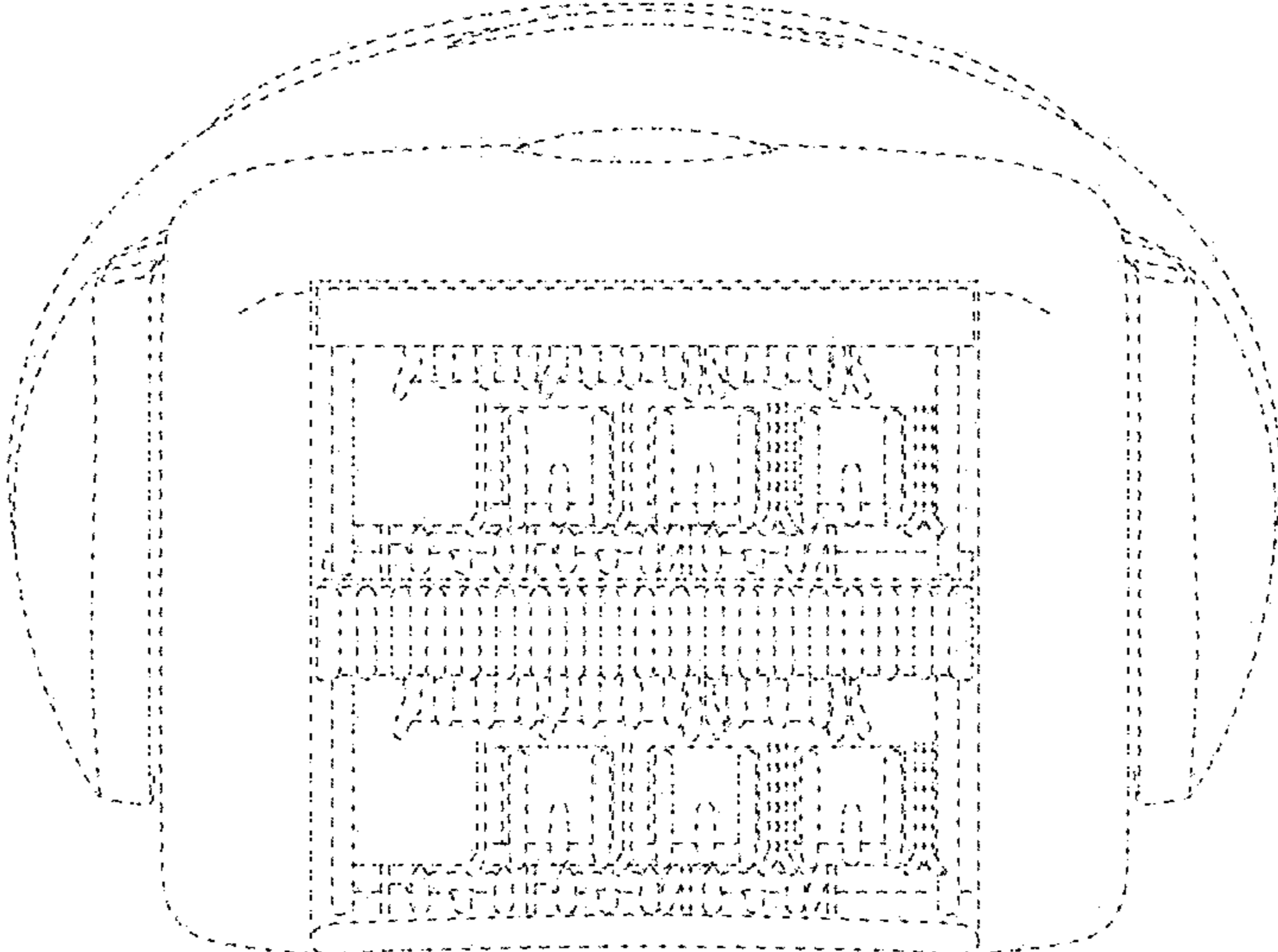


FIG.7

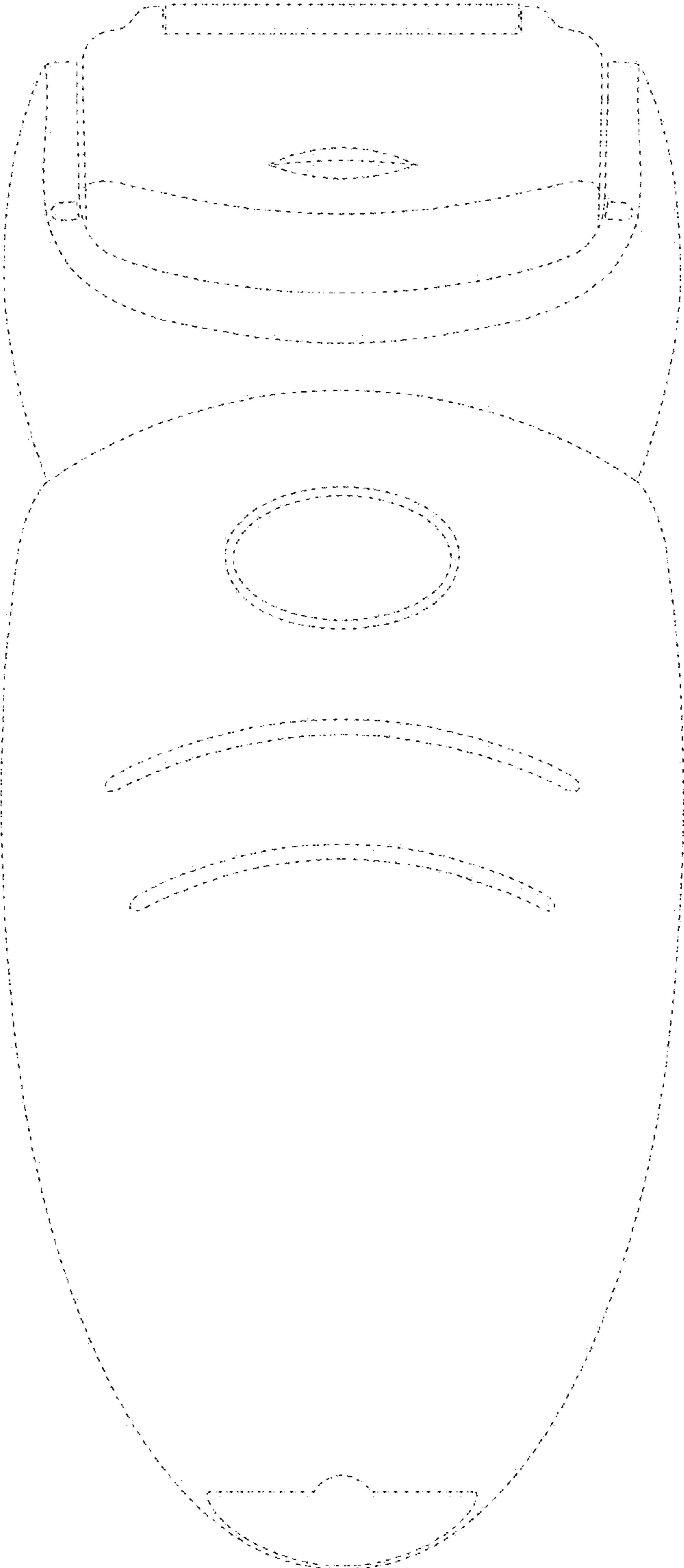




FIG.8

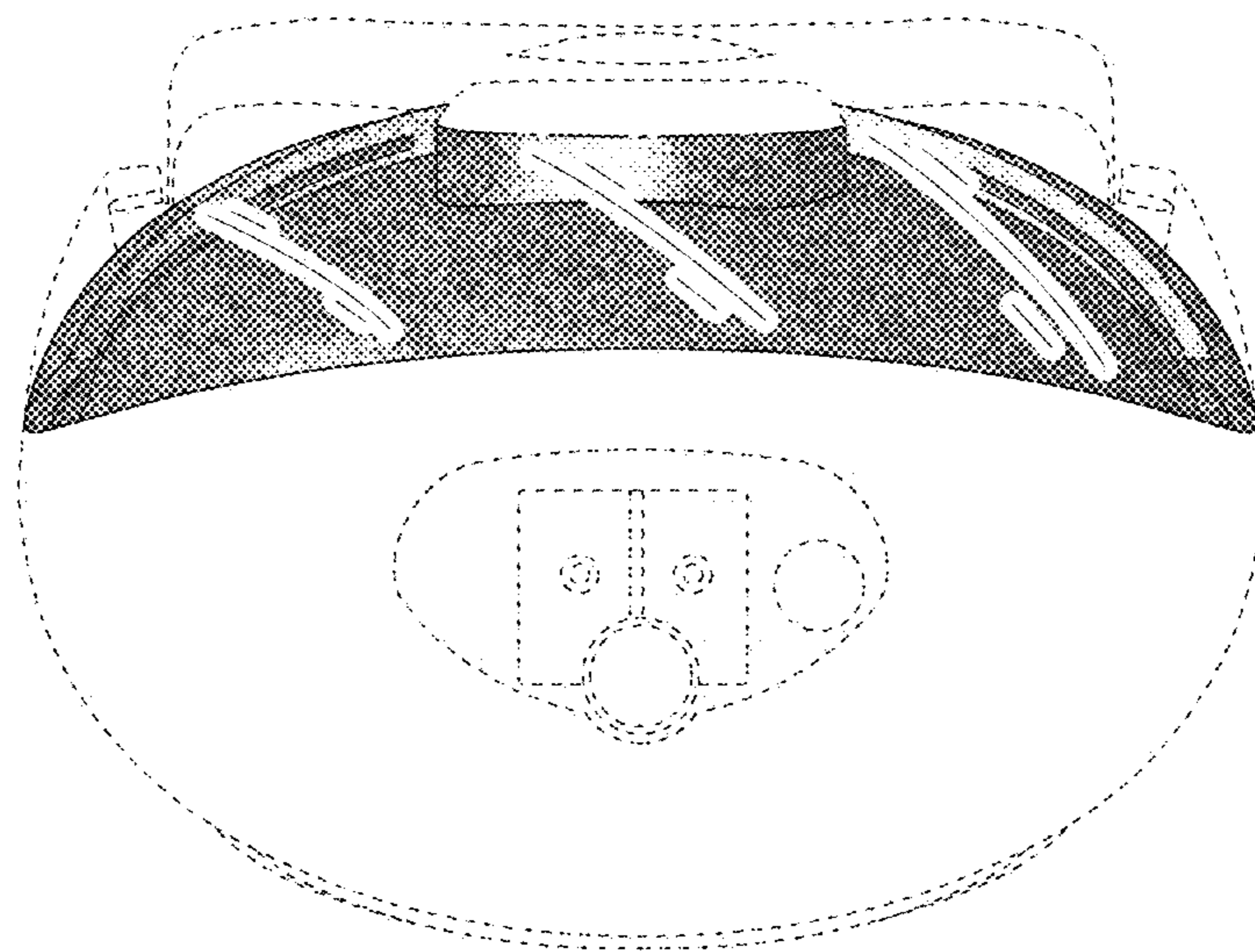


FIG.9

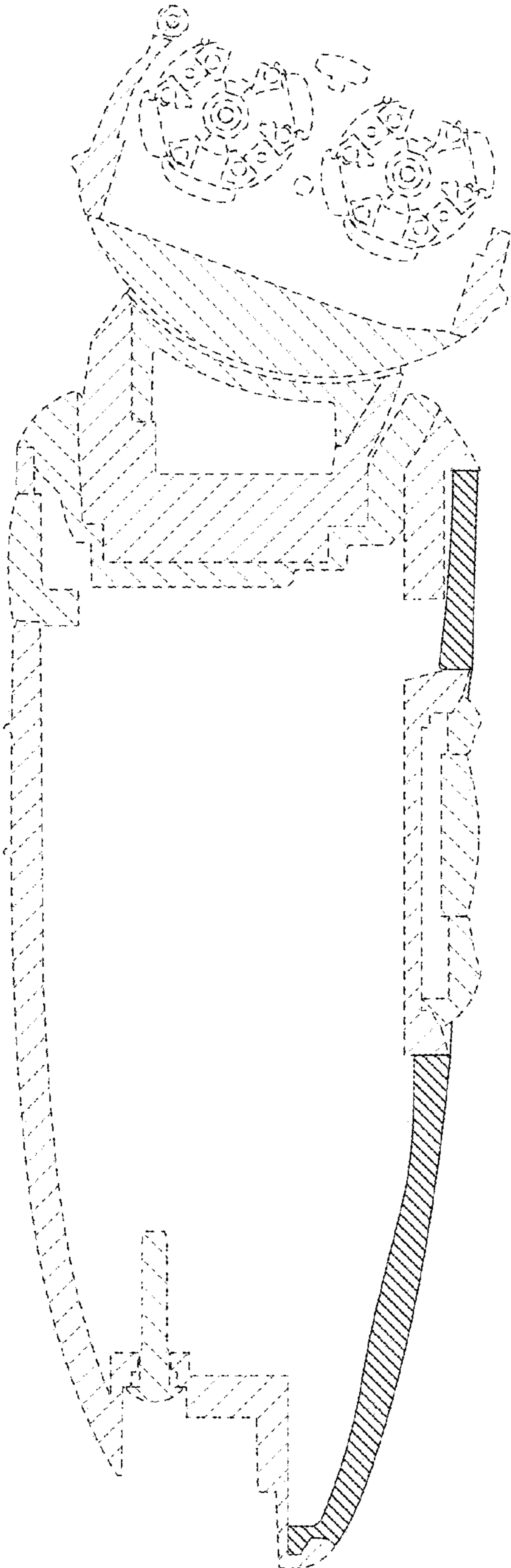


FIG.10

