



US00D700737S

(12) **United States Design Patent**  
**Campagna**

(10) **Patent No.:** **US D700,737 S**

(45) **Date of Patent:** **\*\* Mar. 4, 2014**

(54) **LIGHT FIXTURE BASE**

(56)

**References Cited**

(71) Applicant: **Command Electronics, Inc.,**  
Schoolcraft, MI (US)

U.S. PATENT DOCUMENTS

(72) Inventor: **Cary J. Campagna,** Portage, MI (US)

D326,537 S *	5/1992	Gattari .....	D26/74
D399,590 S *	10/1998	Lecluze .....	D26/118
D548,390 S *	8/2007	Lecluze .....	D26/138
7,322,722 B2 *	1/2008	Hartmann et al. ....	362/365
D595,452 S *	6/2009	Khang et al. ....	D26/138
D599,951 S *	9/2009	Pickard et al. ....	D26/138
D627,507 S *	11/2010	Lai et al. ....	D26/138
D645,582 S *	9/2011	Kim et al. ....	D26/2
D651,738 S *	1/2012	Guercio et al. ....	D26/138
D684,287 S *	6/2013	Rashidi .....	D26/74

(73) Assignee: **Command Electronics, Inc.,**  
Schoolcraft, MI (US)

(\*\*) Term: **14 Years**

\* cited by examiner

(21) Appl. No.: **29/434,042**

*Primary Examiner* — Zenia Bennett

(22) Filed: **Oct. 9, 2012**

(74) *Attorney, Agent, or Firm* — Flynn, Thiel, Boutell & Tanis, P.C.

(51) **LOC (10) Cl.** ..... **26-99**

(52) **U.S. Cl.**  
USPC ..... **D26/142**

(57) **CLAIM**

The ornamental design for a light fixture base, as shown and described.

(58) **Field of Classification Search**

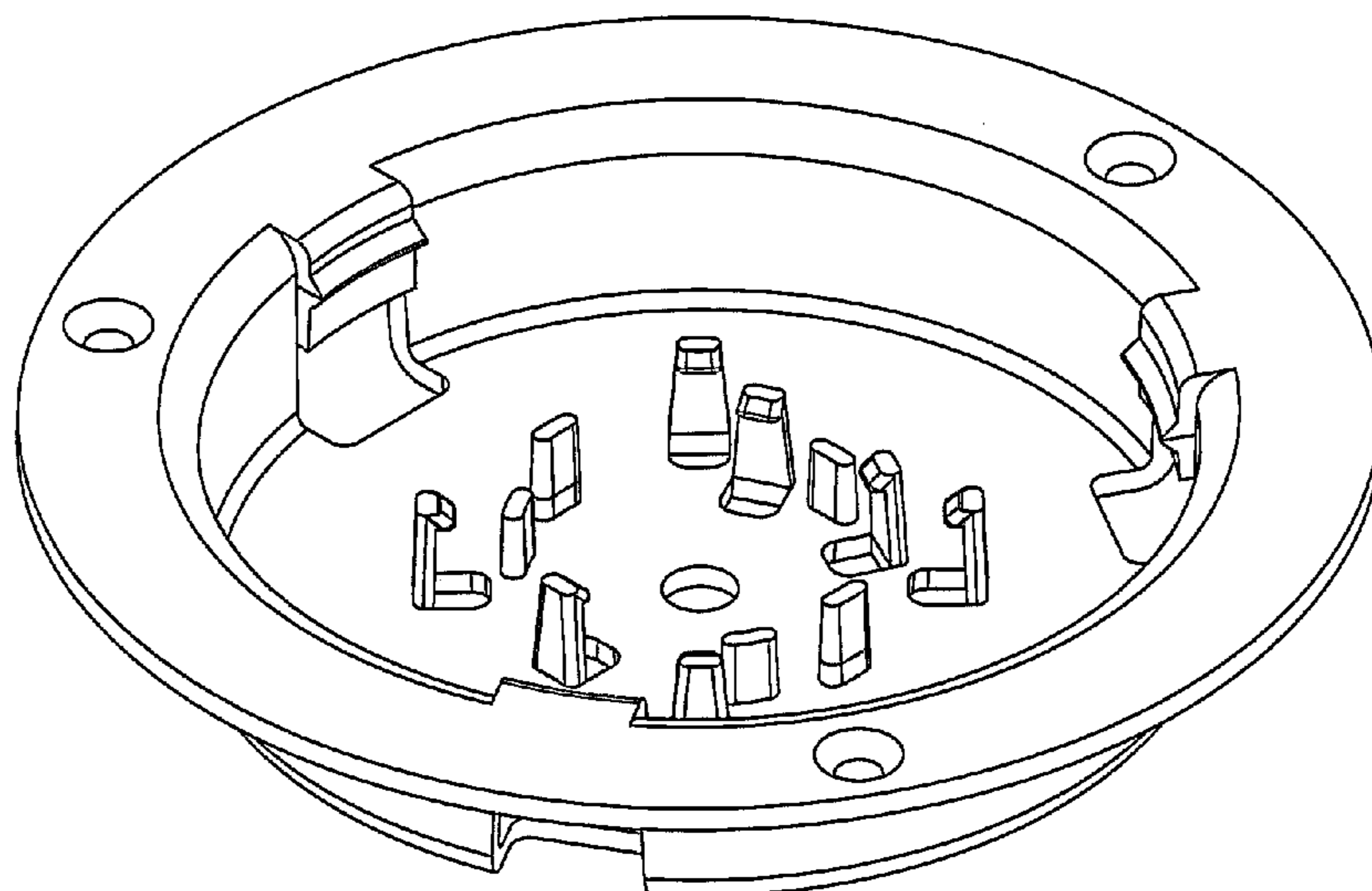
**DESCRIPTION**

USPC ..... D26/25, 26, 28, 31, 35, 36, 37, 41, 42,  
D26/50, 51, 52, 64, 66, 67, 73, 75, 78, 85,  
D26/88, 89, 90, 103–106, 109, 110, 119,  
D26/123, 125, 129, 131, 135, 136, 138, 140,  
D26/143, 144; D13/179, 180; 362/92, 130,  
362/132, 133, 183, 184, 190, 205, 216,  
362/217.05, 218, 220, 223, 224, 241, 247,  
362/249.03, 249.05–249.1, 249.11, 258,  
362/260, 285, 287, 294.02, 297, 327, 345,  
362/354, 373–379, 410, 418, 419, 510, 516,  
362/558, 561; 248/339, 557, 558; D8/354,  
D8/373, 377, 382; D25/60, 119, 124, 125;  
52/455; 349/59–62, 64–67, 113;  
438/15; 345/102; D12/406; D10/111,  
D10/114.1; D11/121, 125, 144, 145;  
428/11; 257/96, 97, 98, 99

FIG. 1 is a top and left side isometric view of a light fixture base embodying my new design;  
FIG. 2 is a top view of FIG. 1;  
FIG. 3 is a cross sectional view taken along the line 3-3 of FIG. 2;  
FIG. 4 is a cross sectional view taken along the line 4-4 of FIG. 2;  
FIG. 5 is a right side view of FIG. 2;  
FIG. 6 is a front side view of FIG. 2, the rear side view being a mirror image thereof;  
FIG. 7 is a left side view of FIG. 2; and,  
FIG. 8 is a bottom view of FIG. 2.

See application file for complete search history.

**1 Claim, 4 Drawing Sheets**



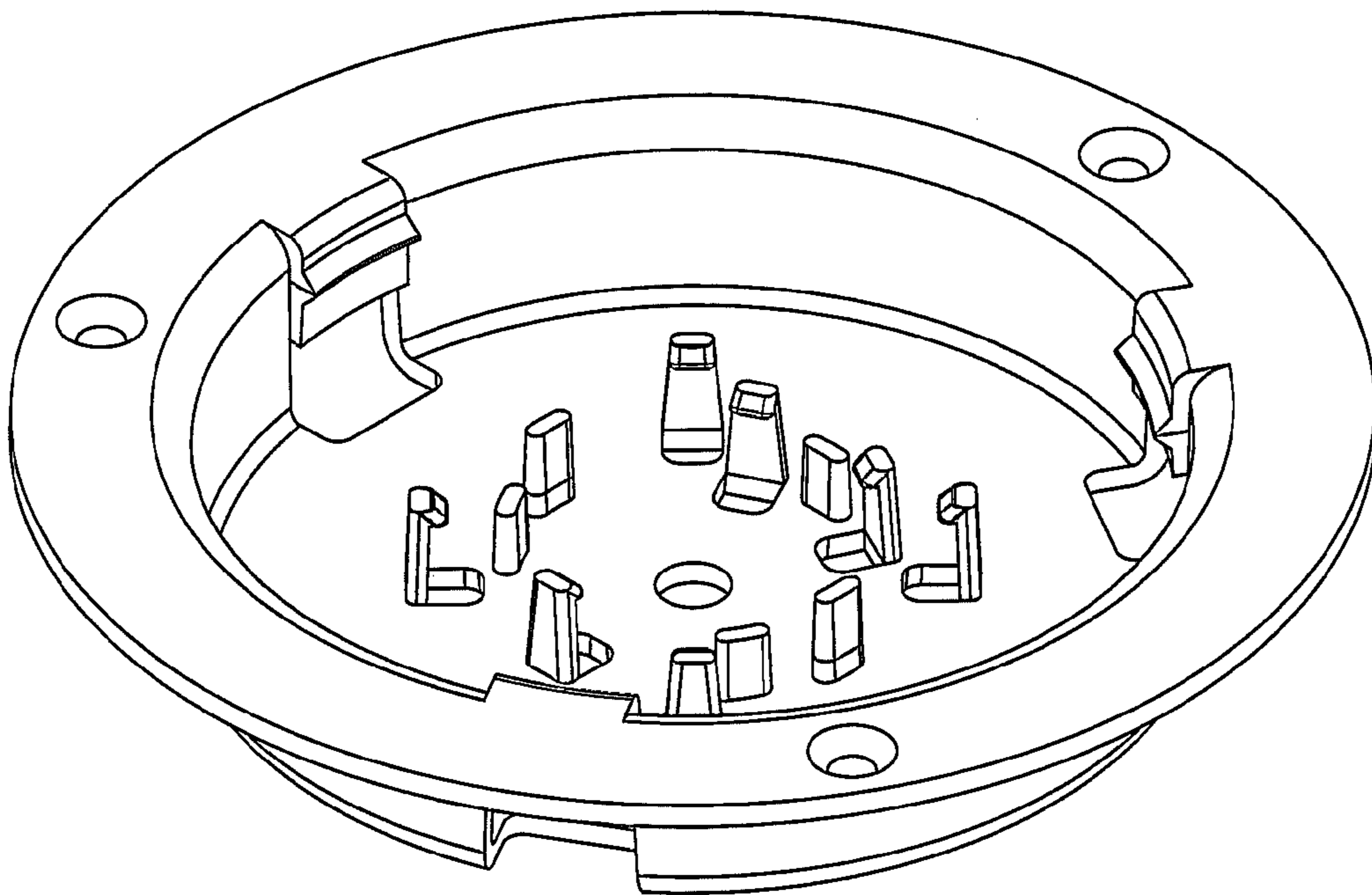


FIG. 1

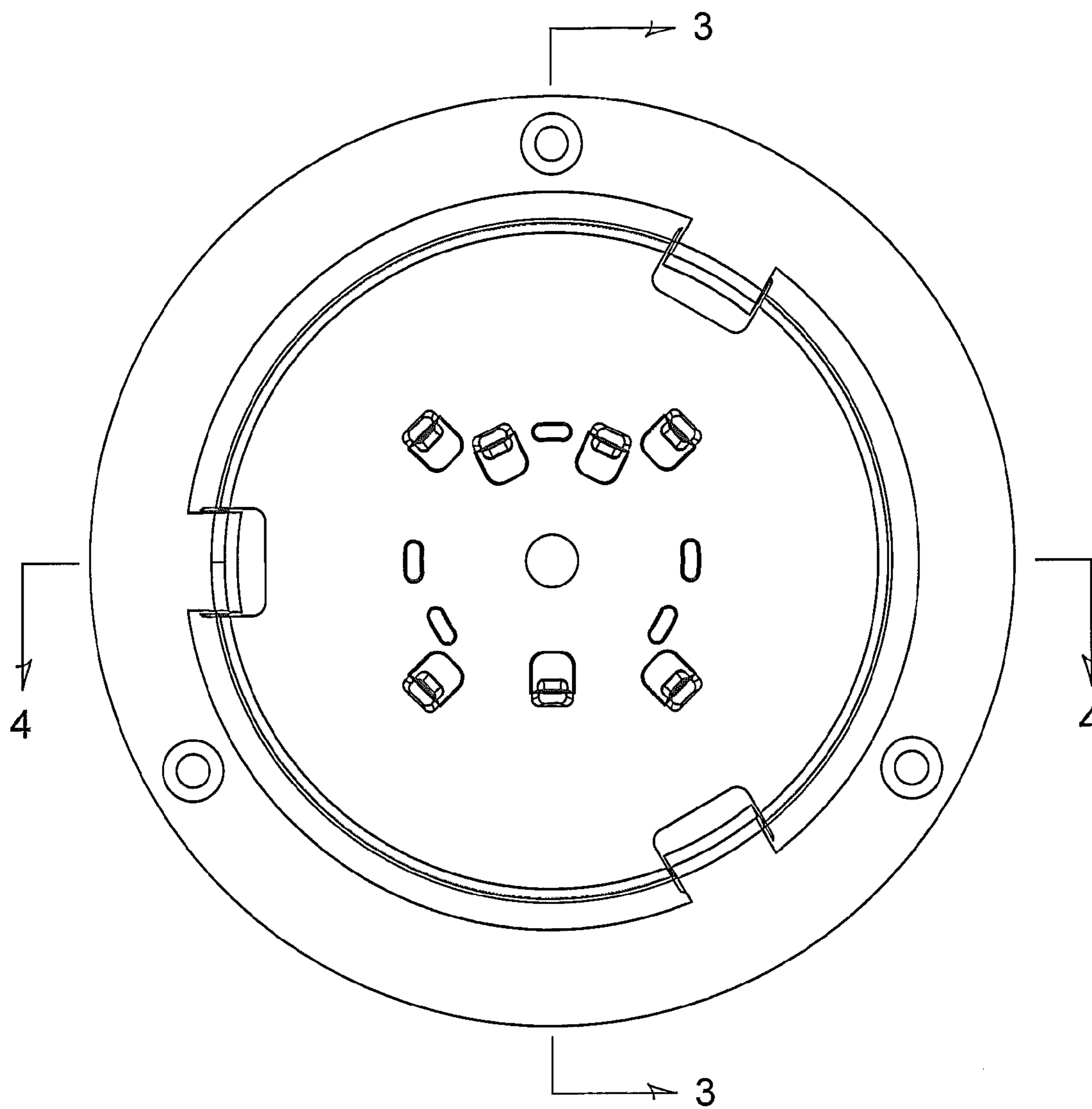


FIG. 2

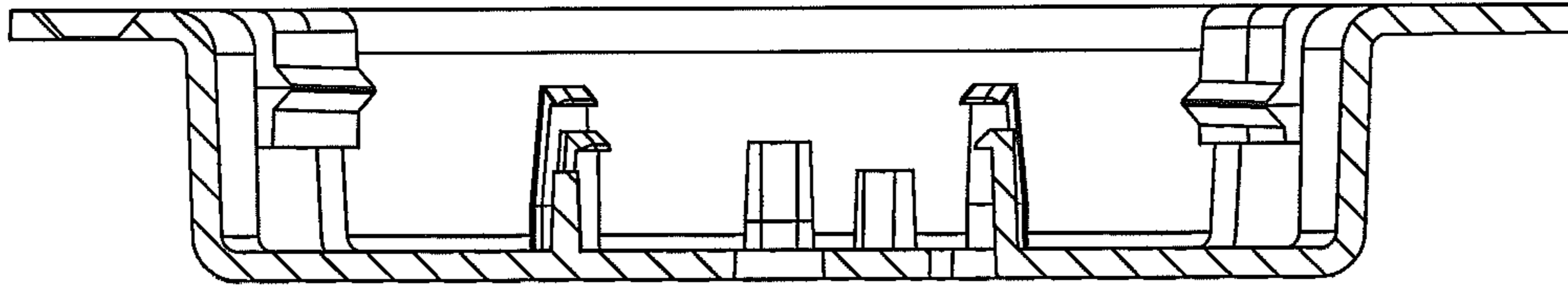


FIG. 3

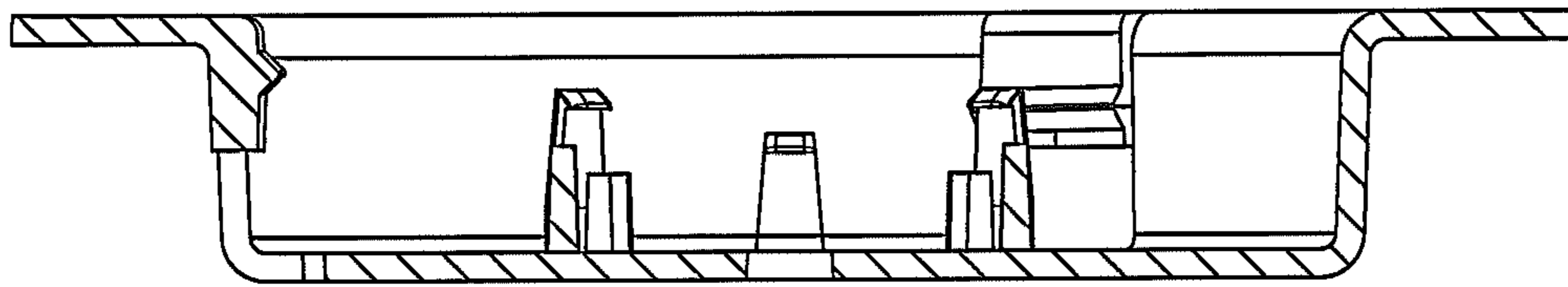


FIG. 4

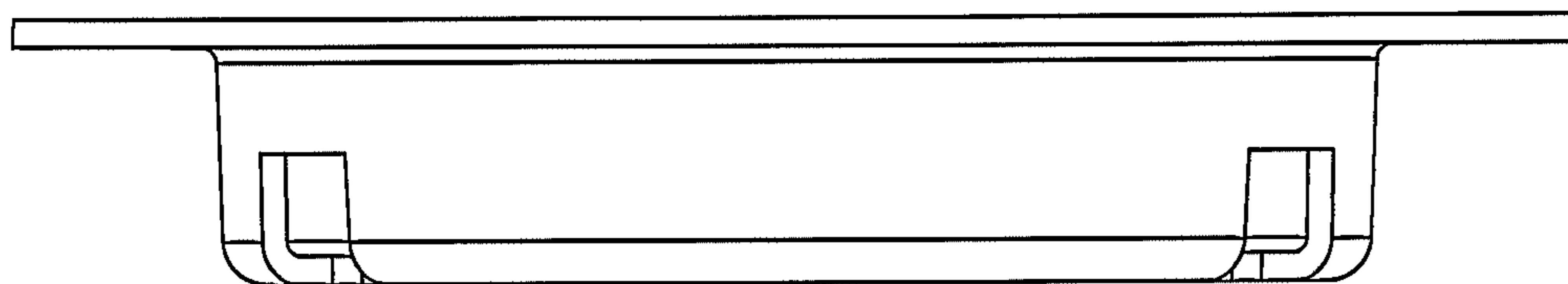


FIG. 5

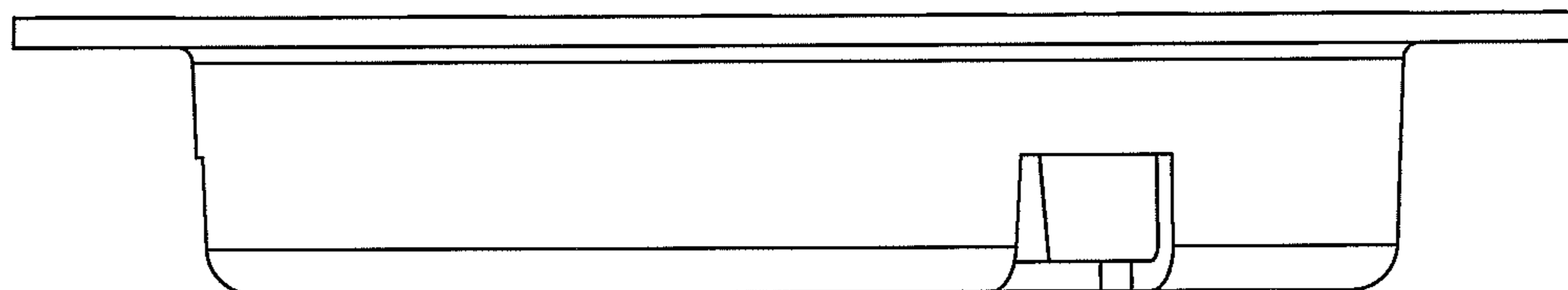


FIG. 6

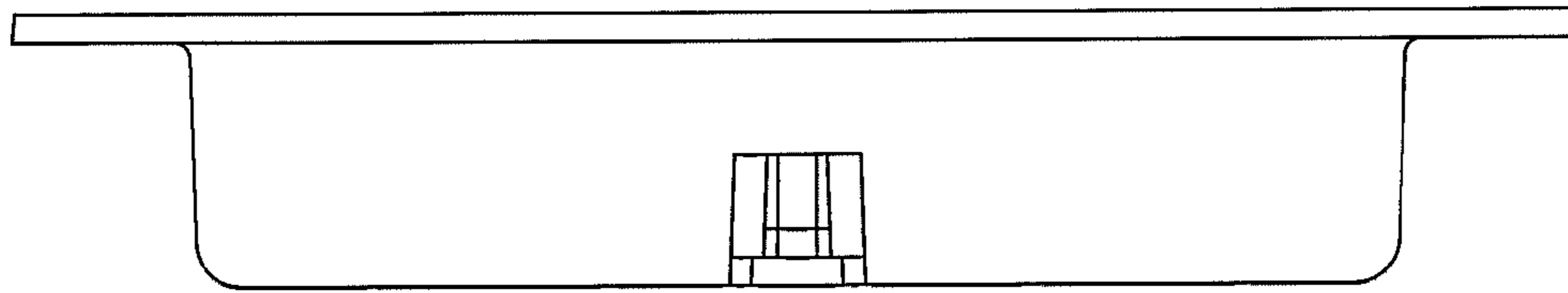


FIG. 7

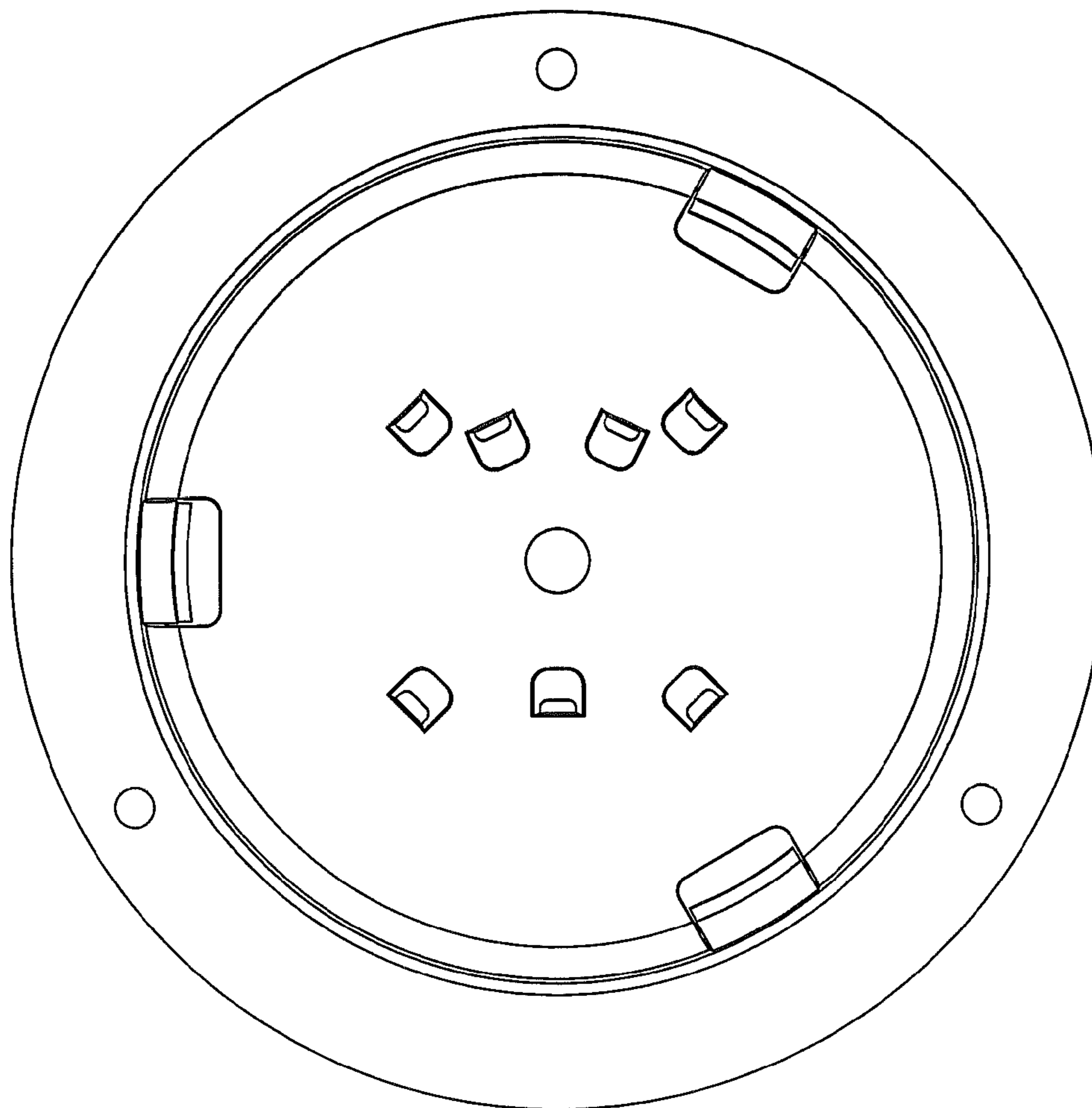


FIG. 8