



US00D700735S

(12) **United States Design Patent**
Maxik et al.

(10) **Patent No.:** **US D700,735 S**
(45) **Date of Patent:** **** Mar. 4, 2014**

(54) **OFF GRID LUMINAIRE**

(71) Applicant: **Lighting Science Group Corporation**,
Satellite Beach, FL (US)

(72) Inventors: **Fredric S. Maxik**, Indialantic, FL (US);
Addy S. Widjaja, Palm Bay, FL (US);
David E. Bartine, Cocoa, FL (US)

(73) Assignee: **Lighting Science Group Corporation**,
Satellite Beach, FL (US)

(**) Term: **14 Years**

(21) Appl. No.: **29/448,650**

(22) Filed: **Mar. 13, 2013**

(51) **LOC (10) Cl.** **26-03**

(52) **U.S. Cl.**
USPC **D26/89**

(58) **Field of Classification Search**
USPC D26/28, 72, 74, 80, 89, 118; 362/147,
362/488-493, 363, 453-456
See application file for complete search history.

(56) **References Cited**

U.S. PATENT DOCUMENTS

D106,281 S *	10/1937	Browne	D26/74
D115,970 S *	8/1939	Stewart	D26/124
D115,971 S *	8/1939	Stewart	D26/123
D196,618 S *	10/1963	Hammes	D23/328
D417,306 S *	11/1999	Pahl	D26/118
D468,051 S *	12/2002	Gaskins et al.	D26/123
6,543,911 B1 *	4/2003	Rizkin et al.	362/307
D487,817 S *	3/2004	Benghozi	D26/118

D509,016 S *	8/2005	Benghozi	D26/74
D591,896 S *	5/2009	Plonski et al.	D26/118
D608,044 S *	1/2010	Pickett	D26/89
D654,617 S *	2/2012	Marquardt et al.	D26/120
D667,984 S *	9/2012	van den Akker	D26/89

* cited by examiner

Primary Examiner — Clare E Heflin

(74) *Attorney, Agent, or Firm* — Mark R. Malek; Zies
Widerman & Malek

(57) **CLAIM**

The ornamental design for an off grid luminaire, as shown and described.

DESCRIPTION

FIG. 1 is a top perspective view of an off grid luminaire according to the present invention.

FIG. 2 is a bottom perspective view of the off grid luminaire illustrated in FIG. 1.

FIG. 3 is a top plan view of the off grid luminaire illustrated in FIG. 1.

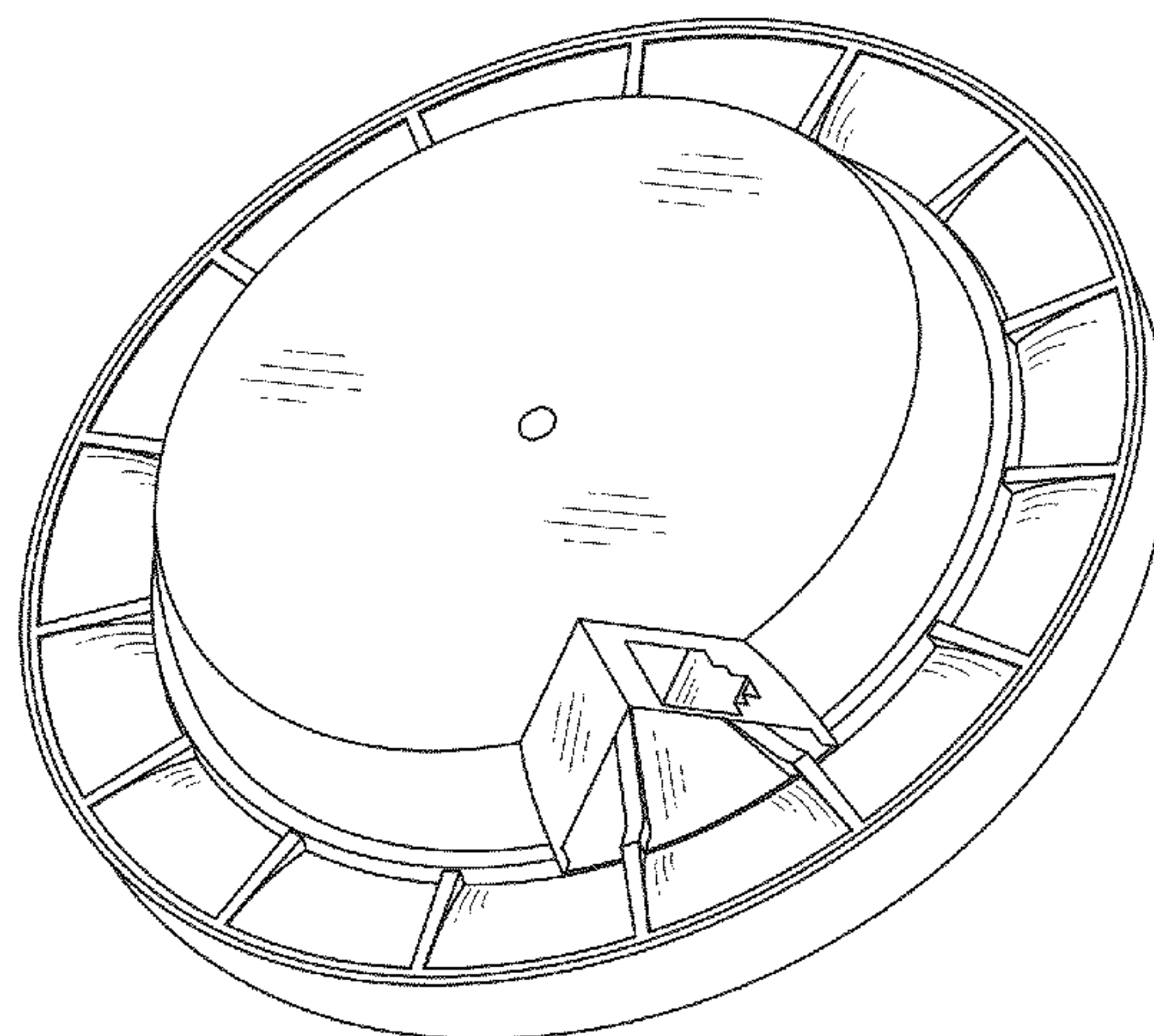
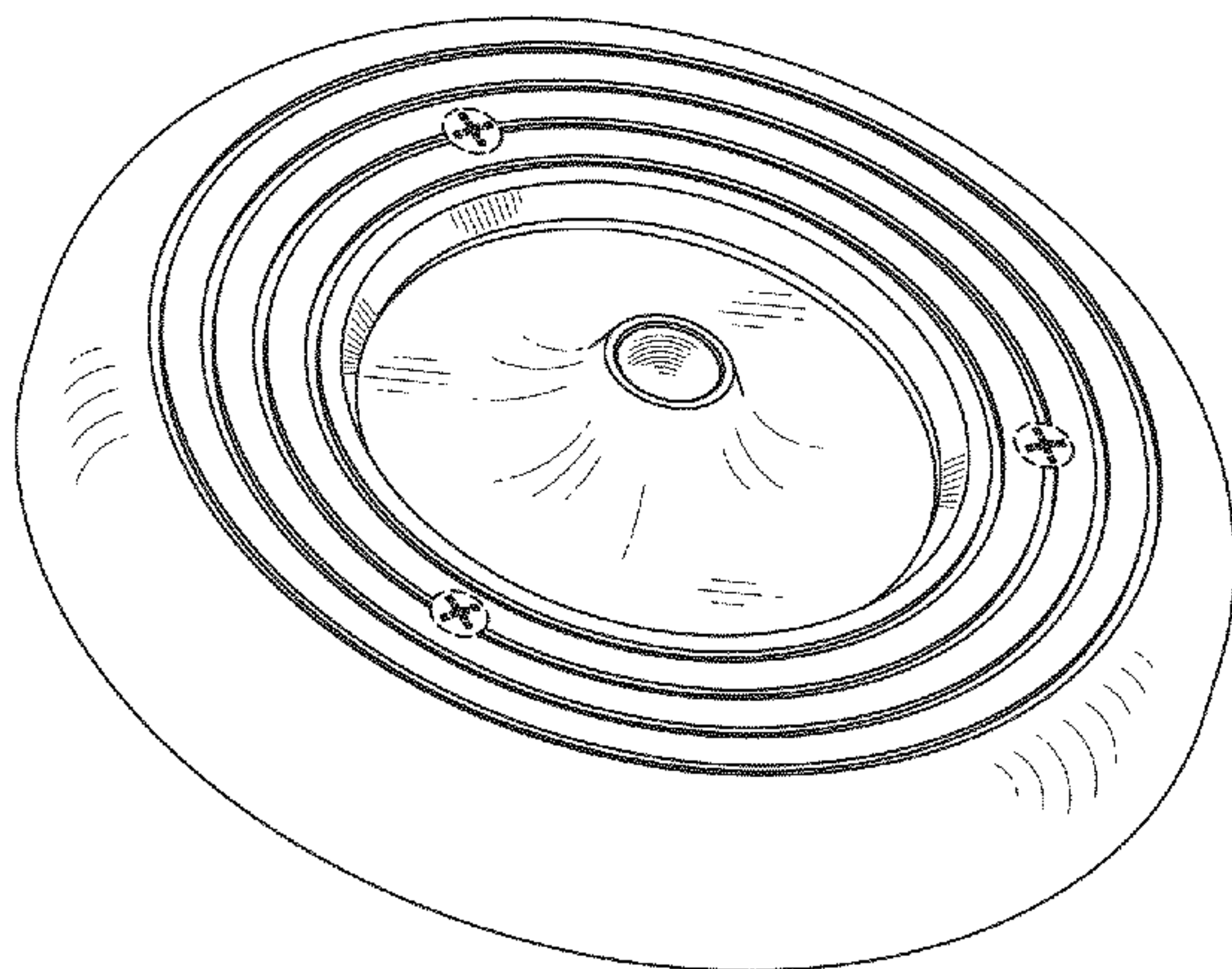
FIG. 4 is a side elevation view the off grid luminaire illustrated in FIG. 1.

FIG. 5 is a bottom plan view the off grid luminaire illustrated in FIG. 1; and,

FIG. 6 is another side elevation view the off grid luminaire illustrated in FIG. 1.

The broken lines illustrated in FIGS. 1 and 3 illustrate unclaimed portions of the off grid luminaire and form no part of the claimed invention.

1 Claim, 3 Drawing Sheets



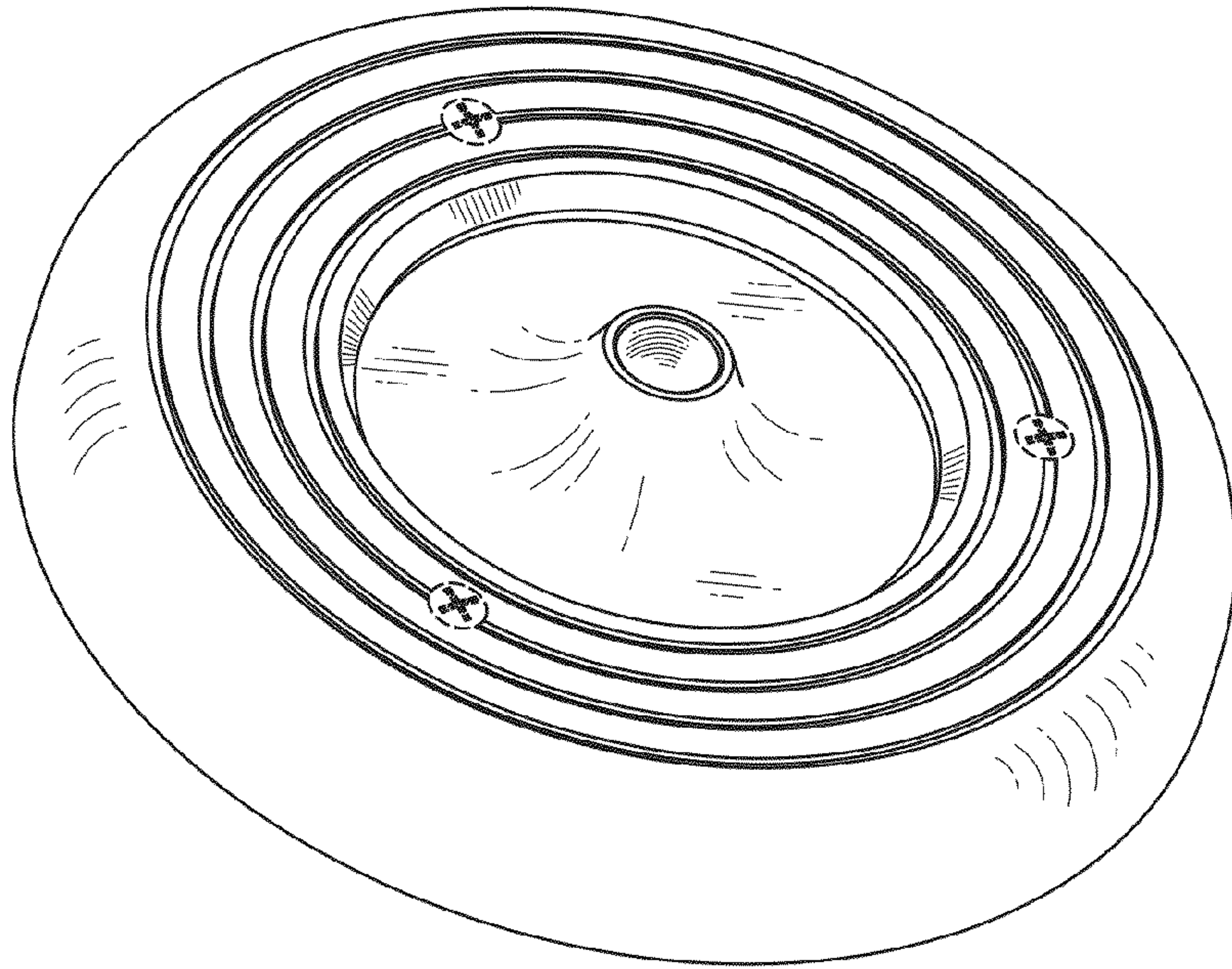


Fig. 1

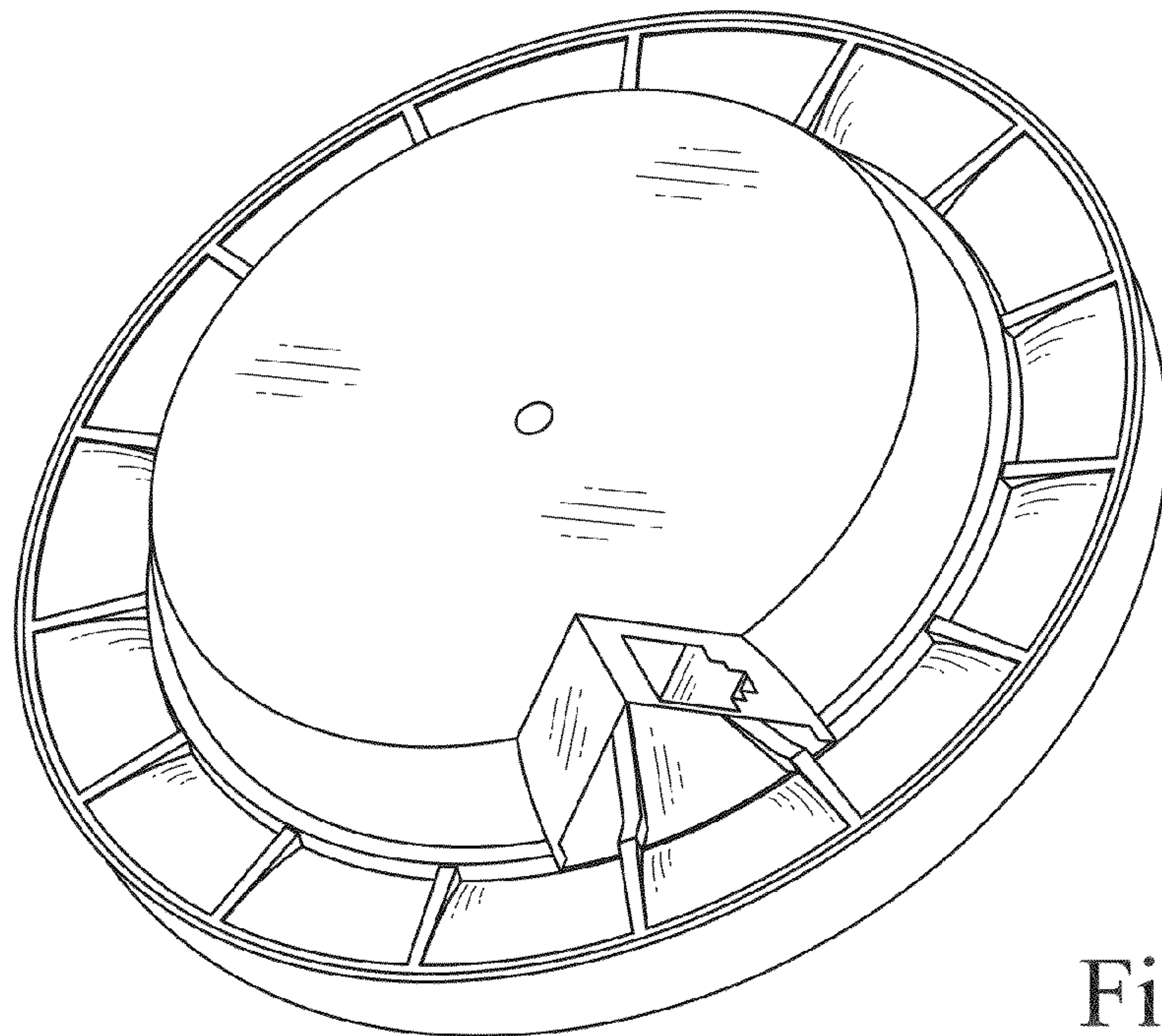


Fig. 2

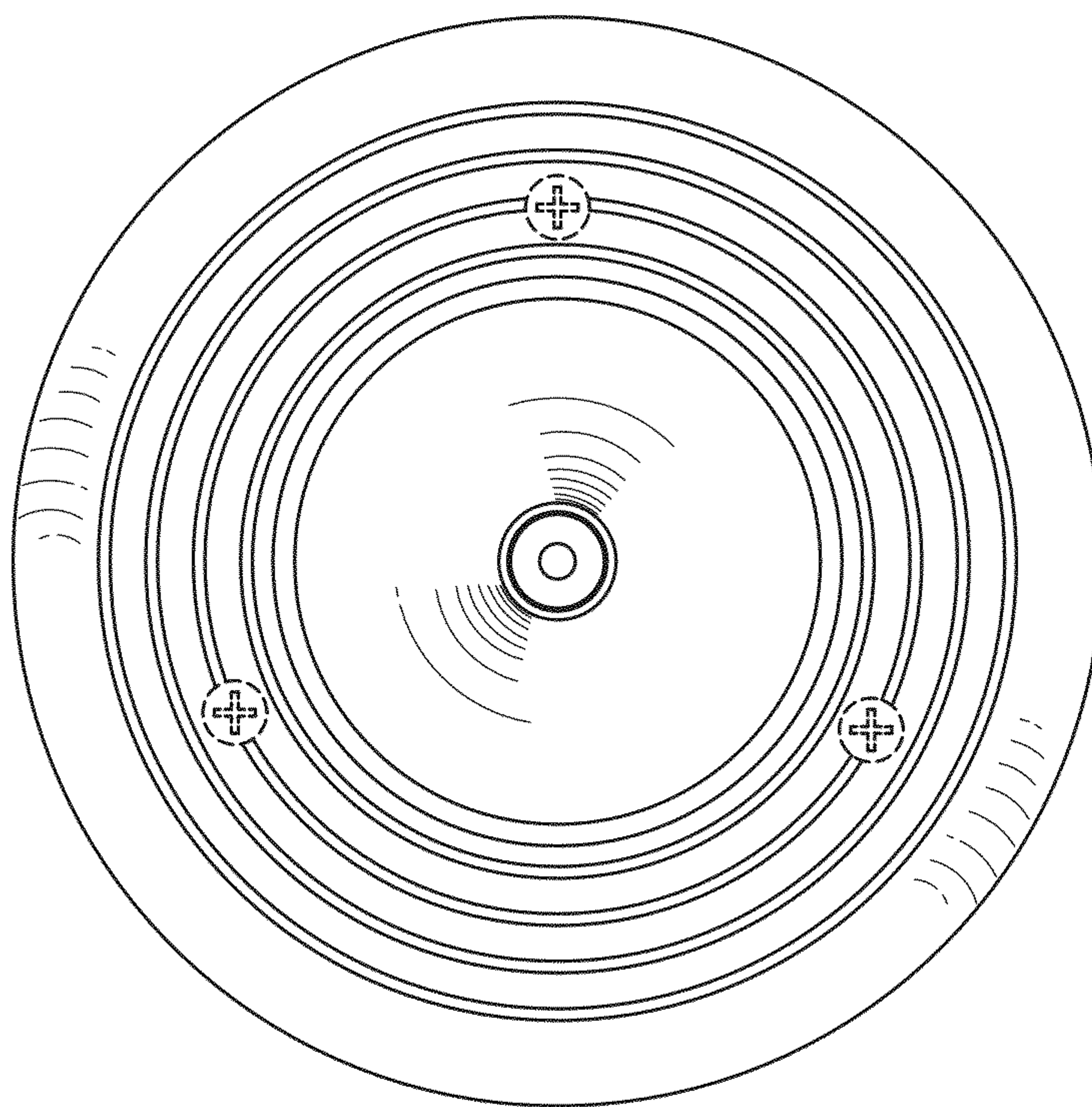


Fig. 3

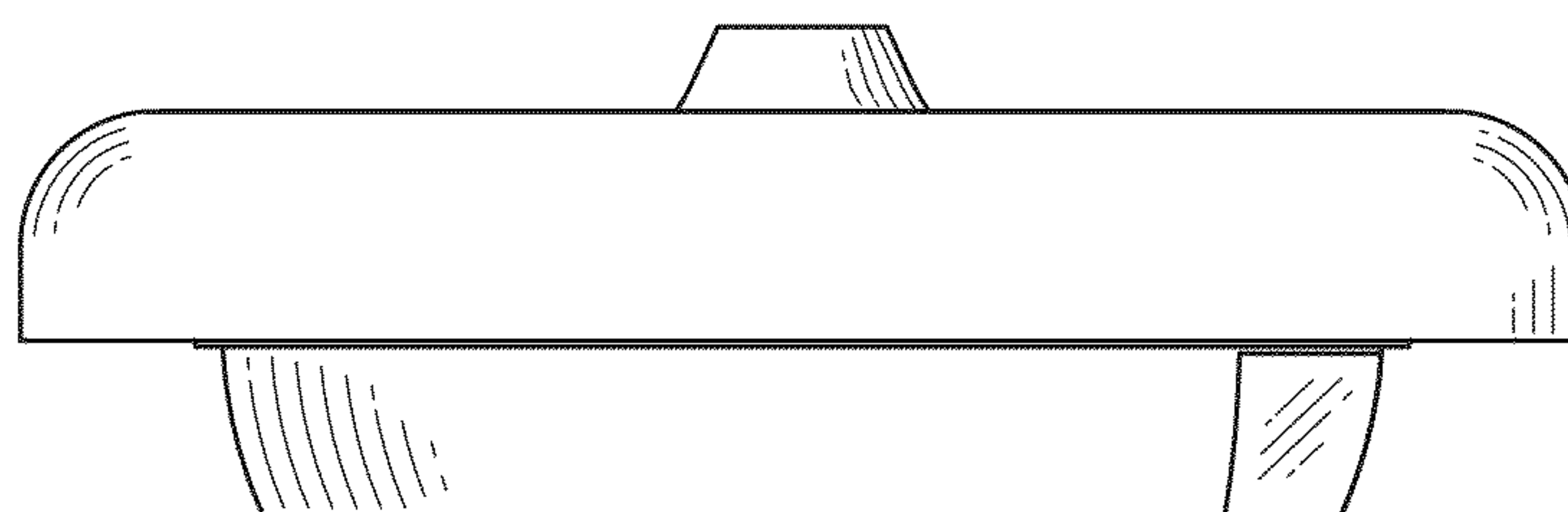


Fig. 4

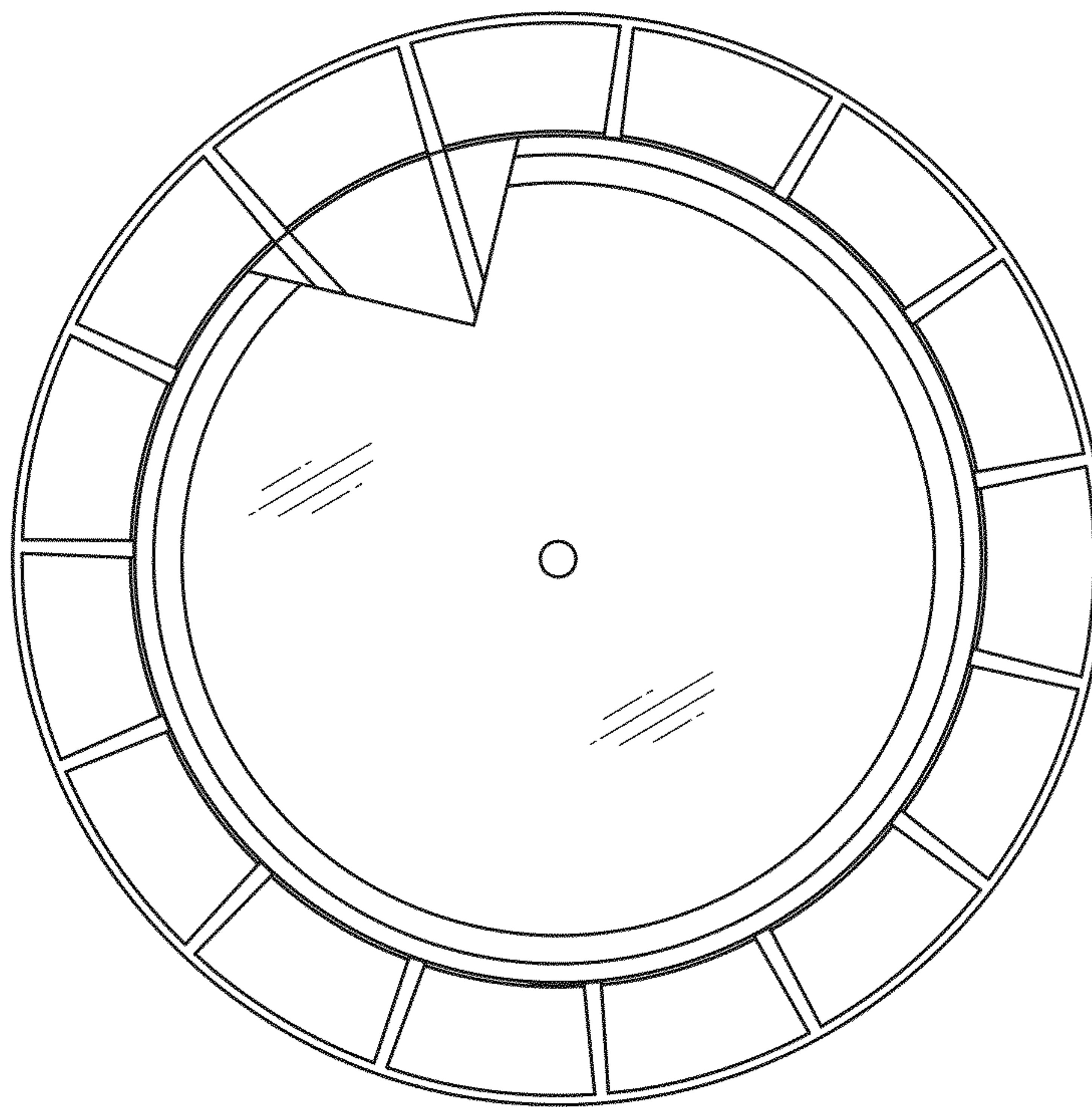


Fig. 5

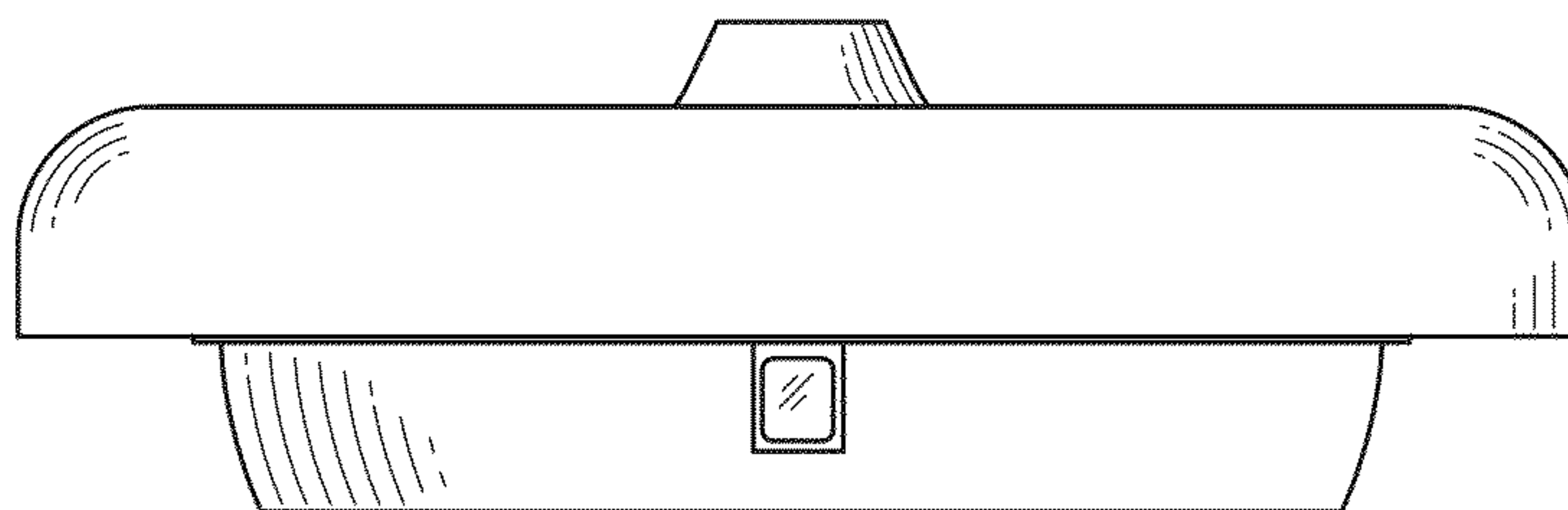


Fig. 6