



US00D700734S

(12) **United States Design Patent**
Chan

(10) **Patent No.:** **US D700,734 S**
(45) **Date of Patent:** **** Mar. 4, 2014**

(54) **LIGHTING FIXTURE**

(71) Applicant: **Boyd Lighting Fixture Company,**
Sausalito, CA (US)

(72) Inventor: **Erik Chan,** San Francisco, CA (US)

(73) Assignee: **Boyd Lighting Fixture Company,**
Sausalito, CA (US)

(**) Term: **14 Years**

(21) Appl. No.: **29/456,671**

(22) Filed: **Jun. 3, 2013**

(51) **LOC (10) Cl.** **26-03**

(52) **U.S. Cl.**
USPC **D26/88**

(58) **Field of Classification Search**
USPC D26/81, 82, 83, 84, 85, 86, 88, 89, 90,
D26/91, 128, 135; 362/147, 404-408, 431,
362/432

See application file for complete search history.

(56) **References Cited**

U.S. PATENT DOCUMENTS

D71,004 S *	9/1926	Chappell	D26/88
D85,629 S *	11/1931	Wing	D26/88
D125,317 S *	2/1941	Sabatini	D26/88
D215,174 S *	9/1969	Denson	D26/128
D441,119 S	4/2001	Crosby		
D456,550 S	4/2002	Clodagh		
D494,305 S	8/2004	Crosby		
D503,241 S	3/2005	Crosby		
D532,146 S	11/2006	Crosby		
D532,147 S	11/2006	Crosby		
D536,820 S	2/2007	Crosby		
D557,445 S *	12/2007	Blum et al.	D26/88
D559,427 S *	1/2008	Zupan	D26/88
D559,428 S *	1/2008	Kravitz et al.	D26/88
D566,326 S	4/2008	Bentivoglio et al.		
D566,886 S	4/2008	Bentivoglio et al.		
D567,436 S	4/2008	Bentivoglio et al.		

D575,894 S *	8/2008	Lissoni	D26/88
D591,897 S	5/2009	Fuchs		
D592,801 S	5/2009	Rugee		
D604,452 S *	11/2009	Smith	D26/118
D604,886 S	11/2009	Rugee		
D605,810 S	12/2009	Rugee		

(Continued)

OTHER PUBLICATIONS

Roger P. Thomas, Design U.S. Appl. No. 29/420,679, entitled "Lighting Fixture", filed May 11, 2012, 7-pages.

(Continued)

Primary Examiner — Clare E Heflin

(74) *Attorney, Agent, or Firm* — Heslin Rothenberg Farley & Mesiti P.C.

(57) **CLAIM**

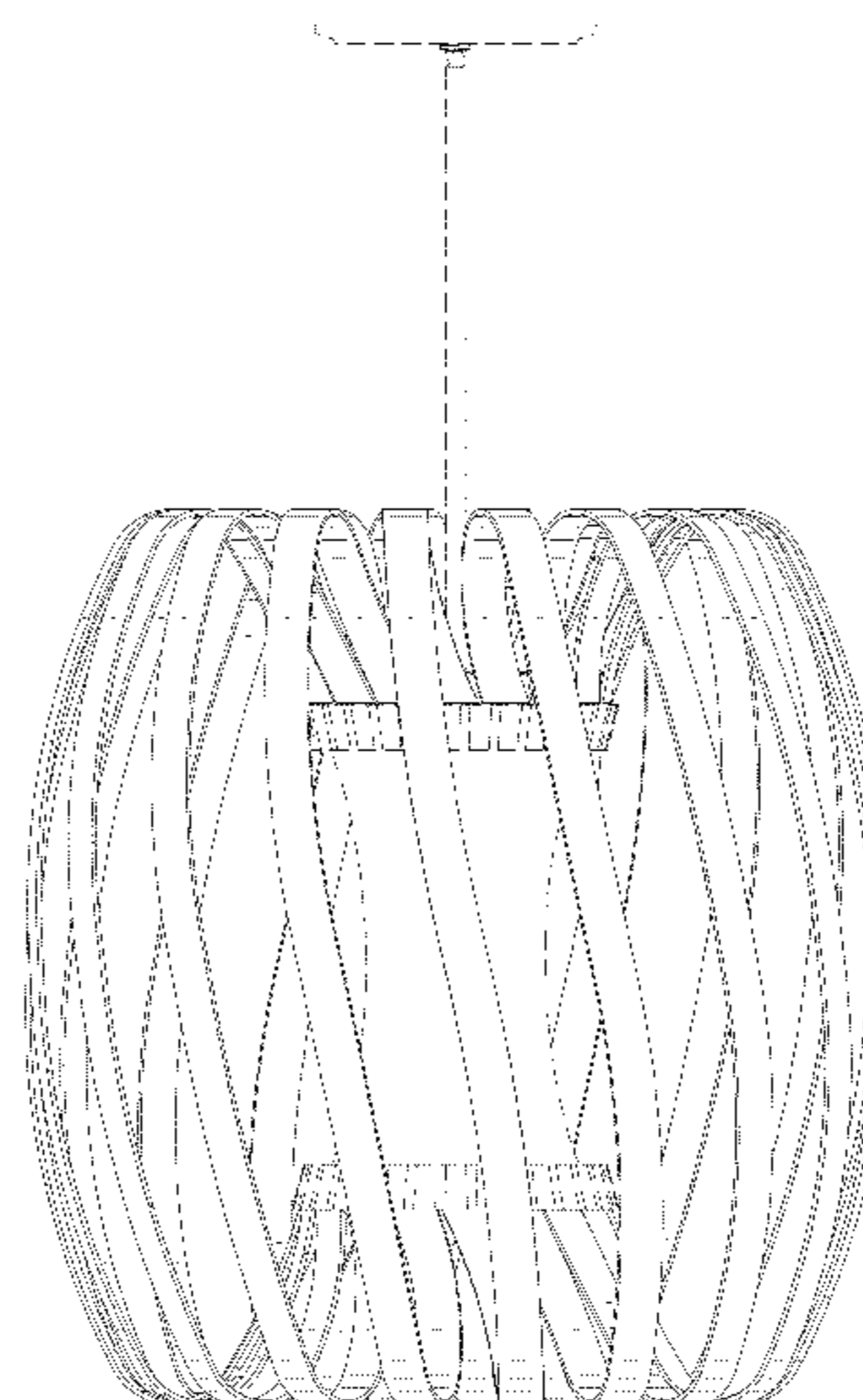
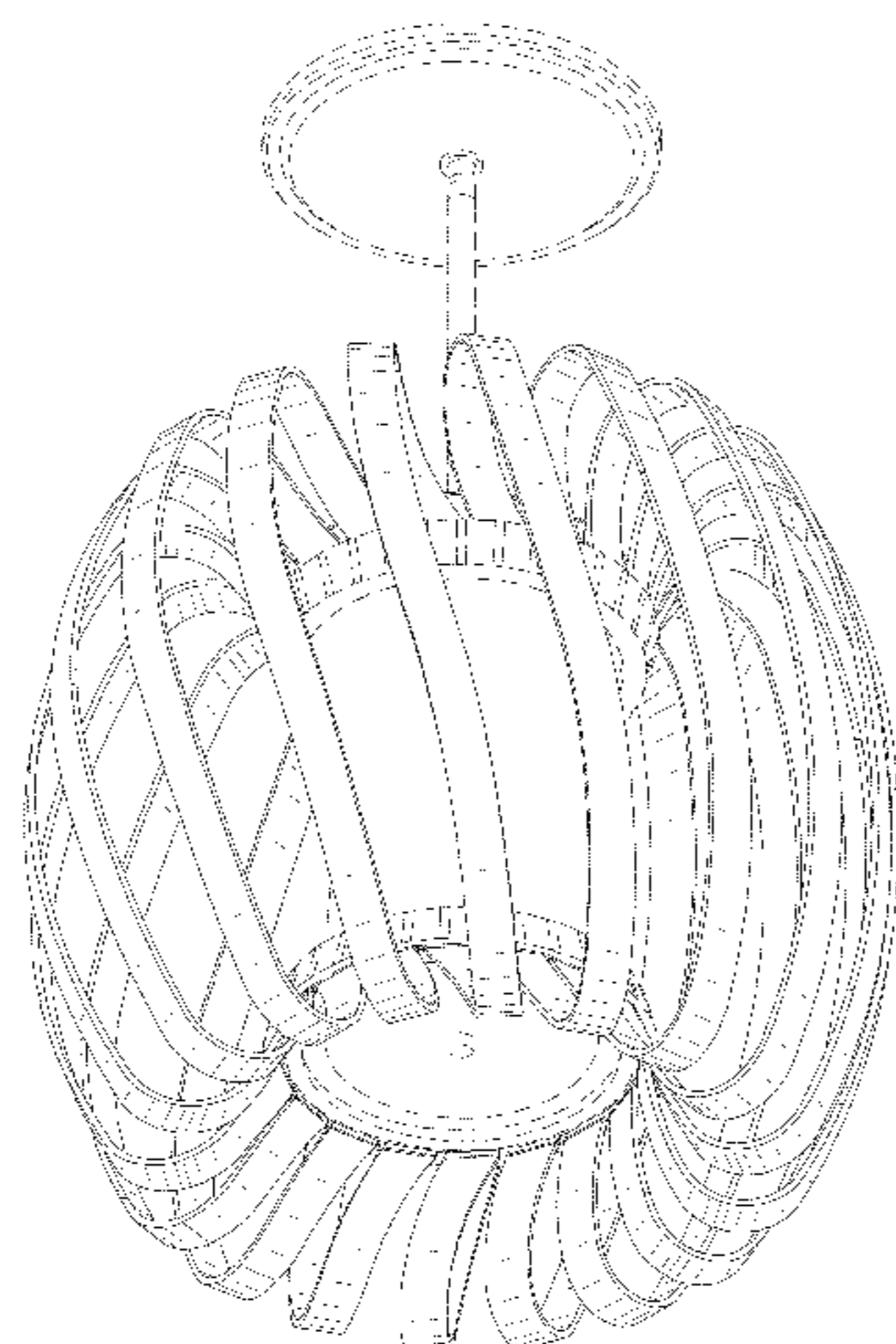
The ornamental design for a lighting fixture, as shown and described.

DESCRIPTION

FIG. 1 is a perspective view of a lighting fixture in accordance with the new design;
FIG. 2 is a front elevational view thereof;
FIG. 3 is a left side elevational view thereof;
FIG. 4 is a right side elevational view thereof;
FIG. 5 is a rear elevational view thereof;
FIG. 6 is a bottom view thereof;
FIG. 7 is a perspective view of an alternative embodiment of a lighting fixture in accordance with the new design;
FIG. 8 is a front elevational view thereof;
FIG. 9 is a left side elevational view thereof;
FIG. 10 is a right side elevational view thereof;
FIG. 11 is a rear elevational view thereof; and,
FIG. 12 is a bottom view thereof.

The broken lines in the figures are for illustration purposes only and form no part of the claimed invention.

1 Claim, 12 Drawing Sheets



(56)

References Cited

U.S. PATENT DOCUMENTS

D620,173 S * 7/2010 Sabernig D26/81
D622,893 S * 8/2010 Nadell D26/88
D656,664 S * 3/2012 Son D26/118
D660,503 S * 5/2012 Gilad D26/88
D665,120 S * 8/2012 Damen et al. D26/128
D667,158 S 9/2012 Fisher et al.
D675,371 S * 1/2013 Nowak D26/128
D683,884 S * 6/2013 Kim et al. D26/84
2002/0141184 A1 * 10/2002 Shieh 362/252

OTHER PUBLICATIONS

Mathematical Symbols, printout available online on Aug. 29, 2013, at <http://www.unicode.org/charts/PDF/U2200.pdf>, 8-pages, at least as early as Jun. 2, 2002.

Gauss' Law Equation, printout available online on Aug. 29, 2013, at <http://www.ieeeahn.org/wiki/index.php/>, 3-pages, at least as early as Jul. 9, 2009.

* cited by examiner

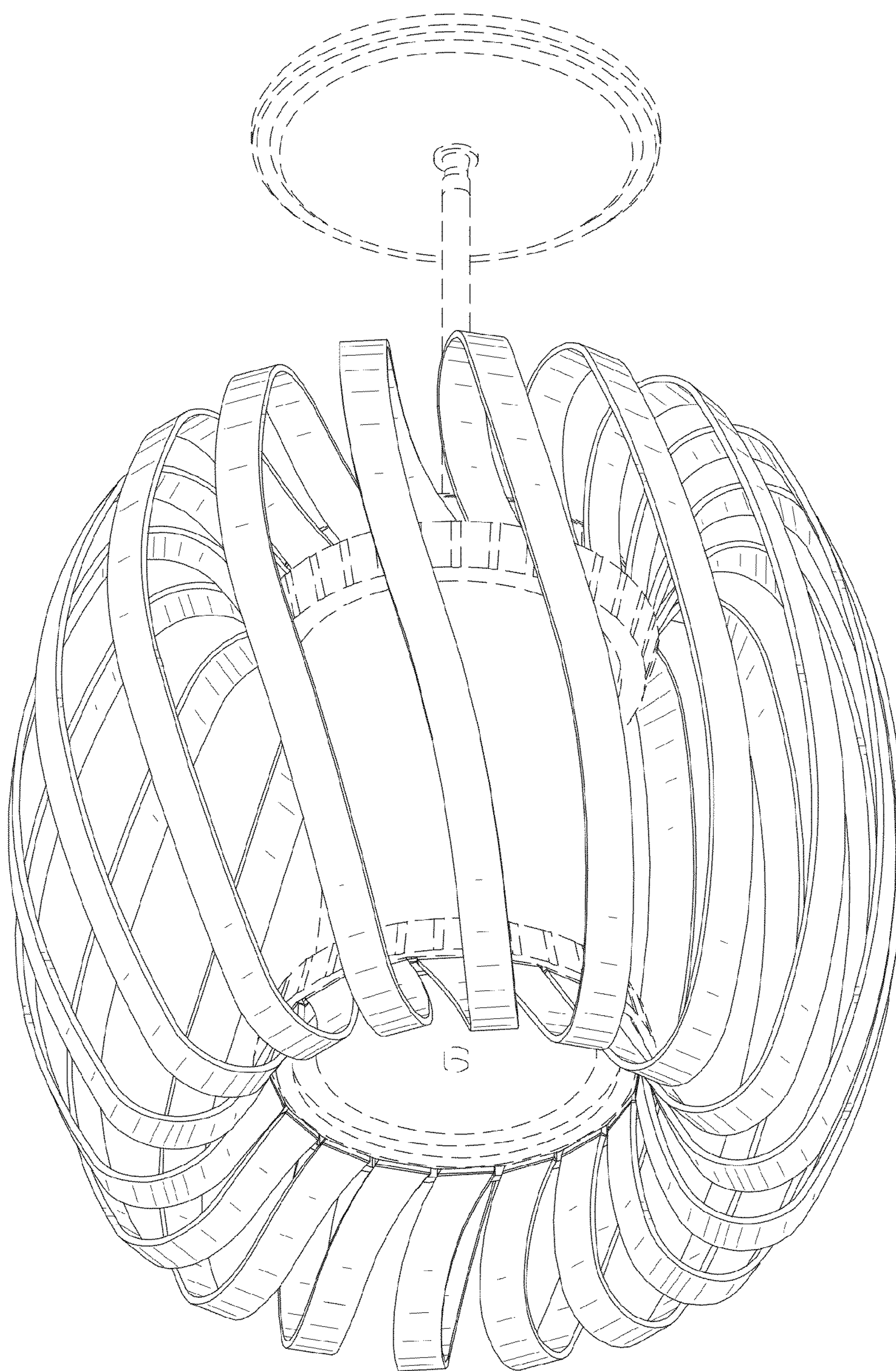


FIG. 1

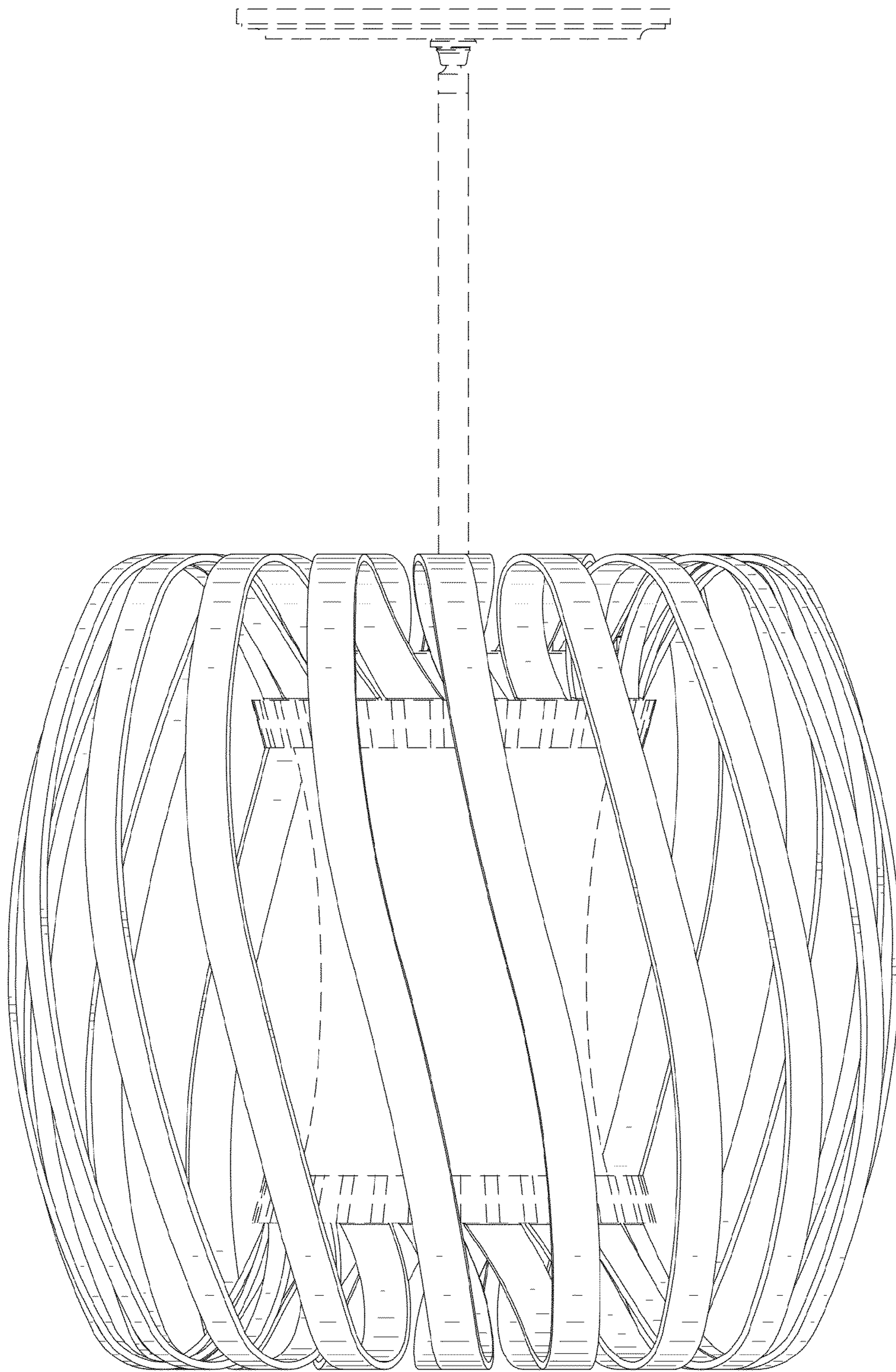


FIG. 2

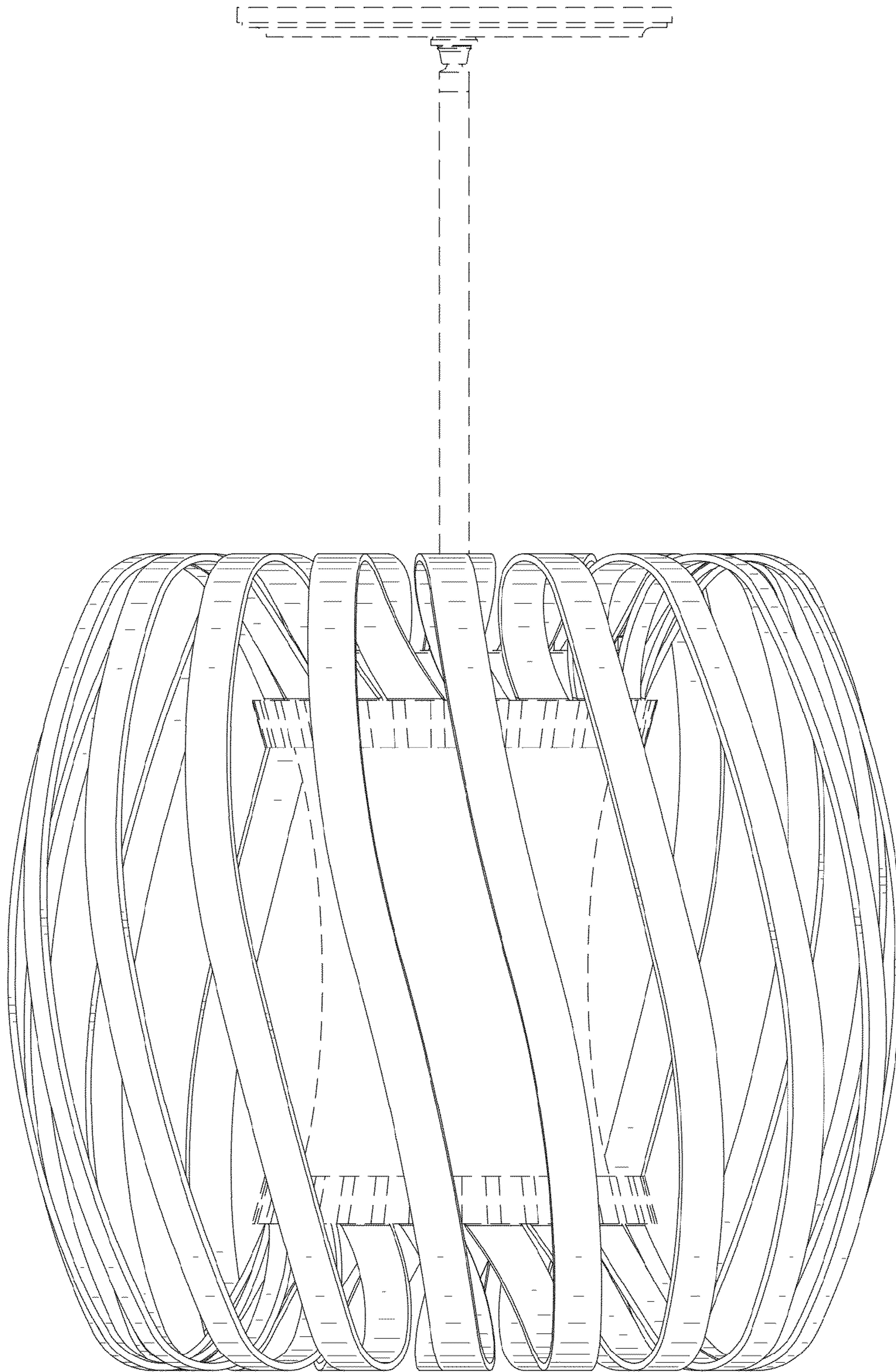


FIG. 3

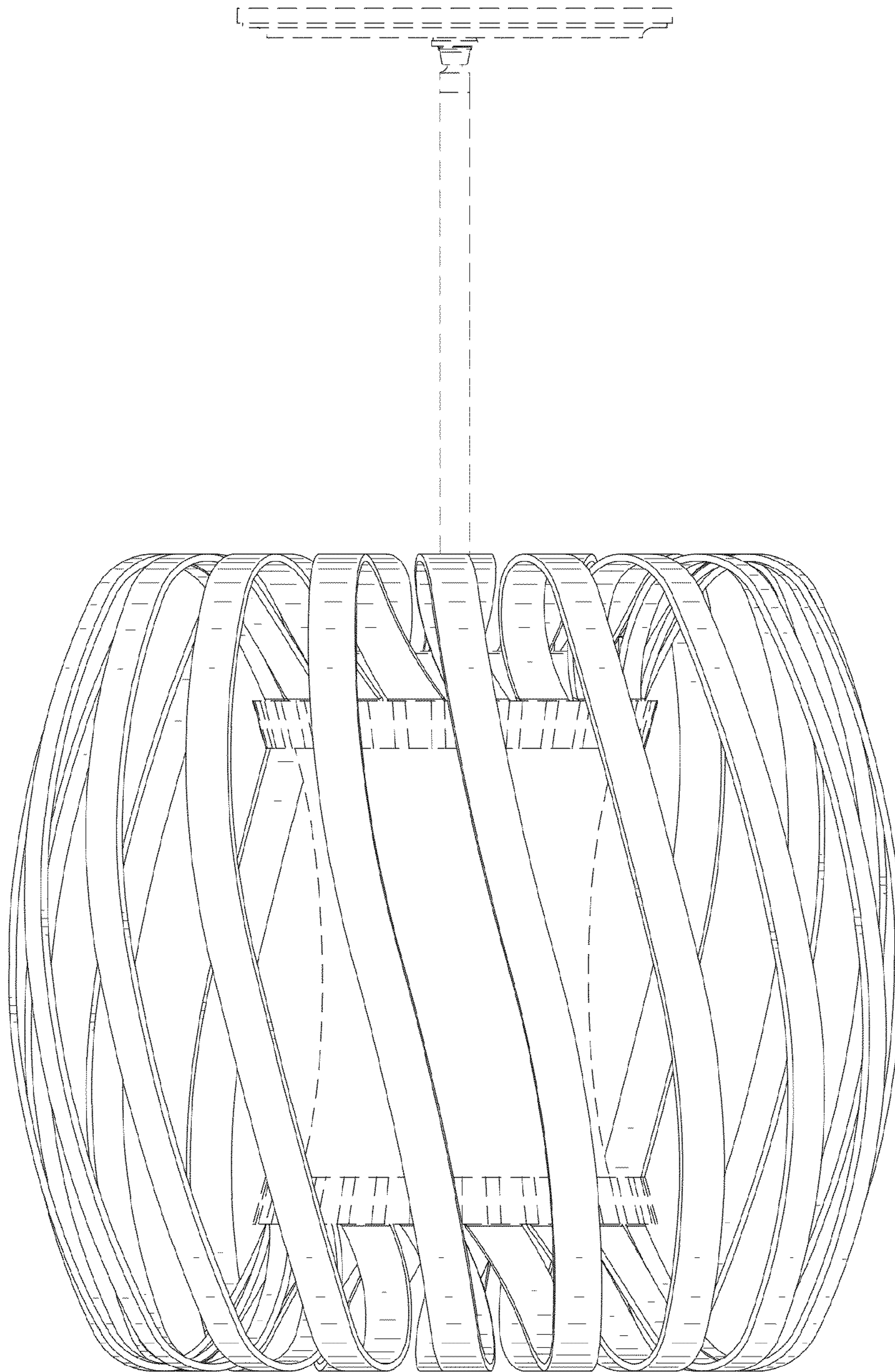


FIG. 4

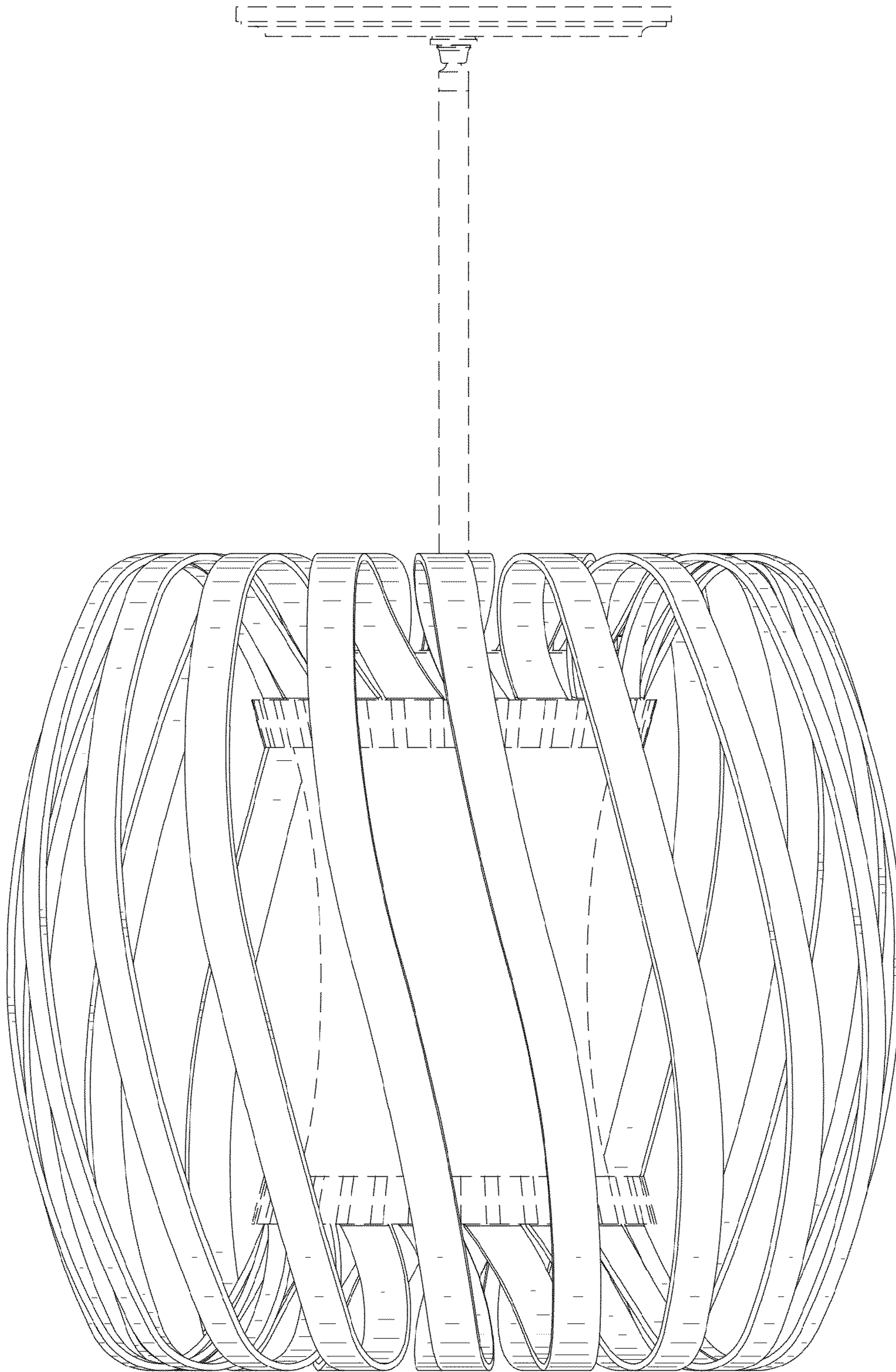


FIG. 5

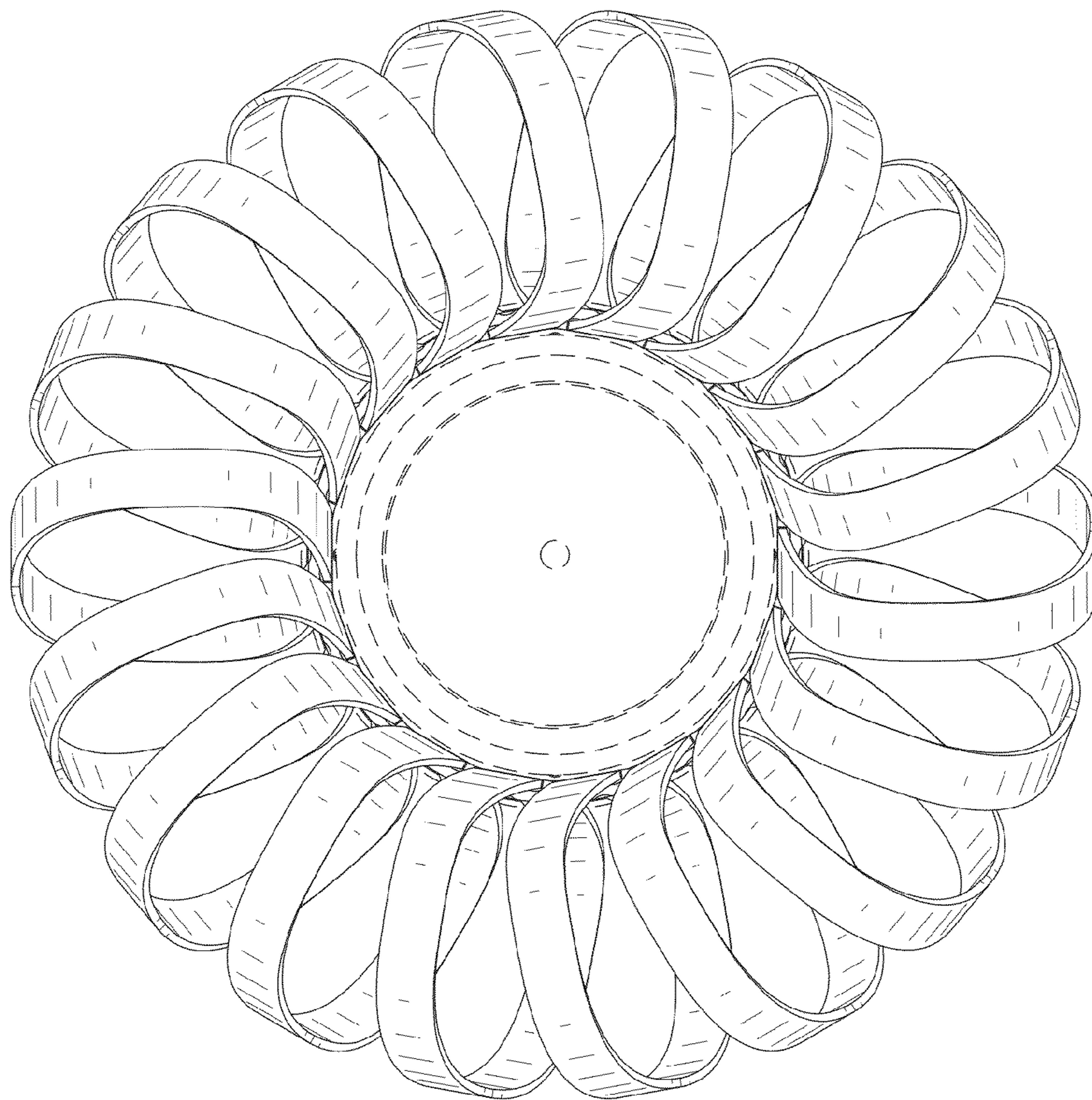


FIG. 6

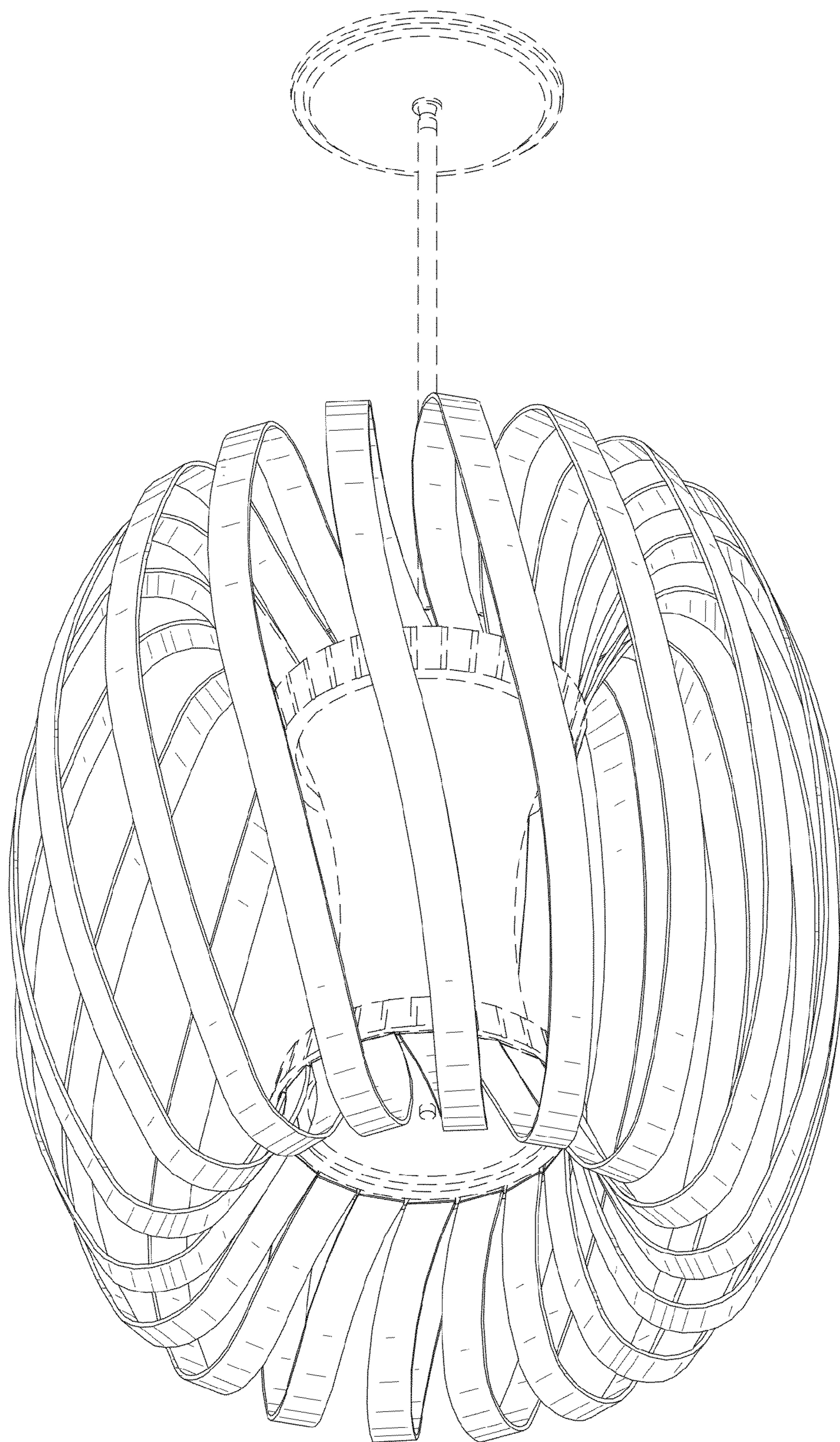


FIG. 7

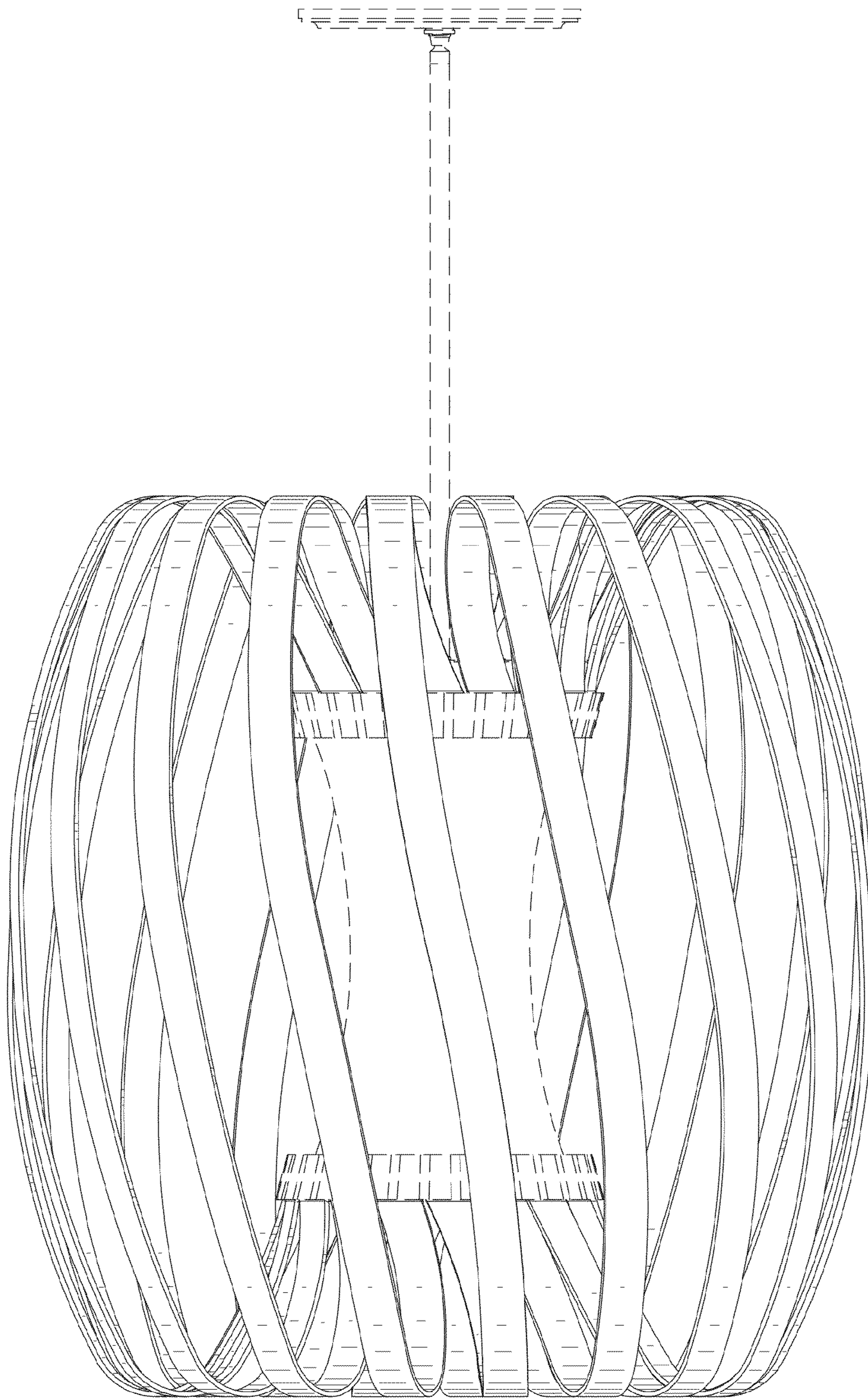


FIG. 8

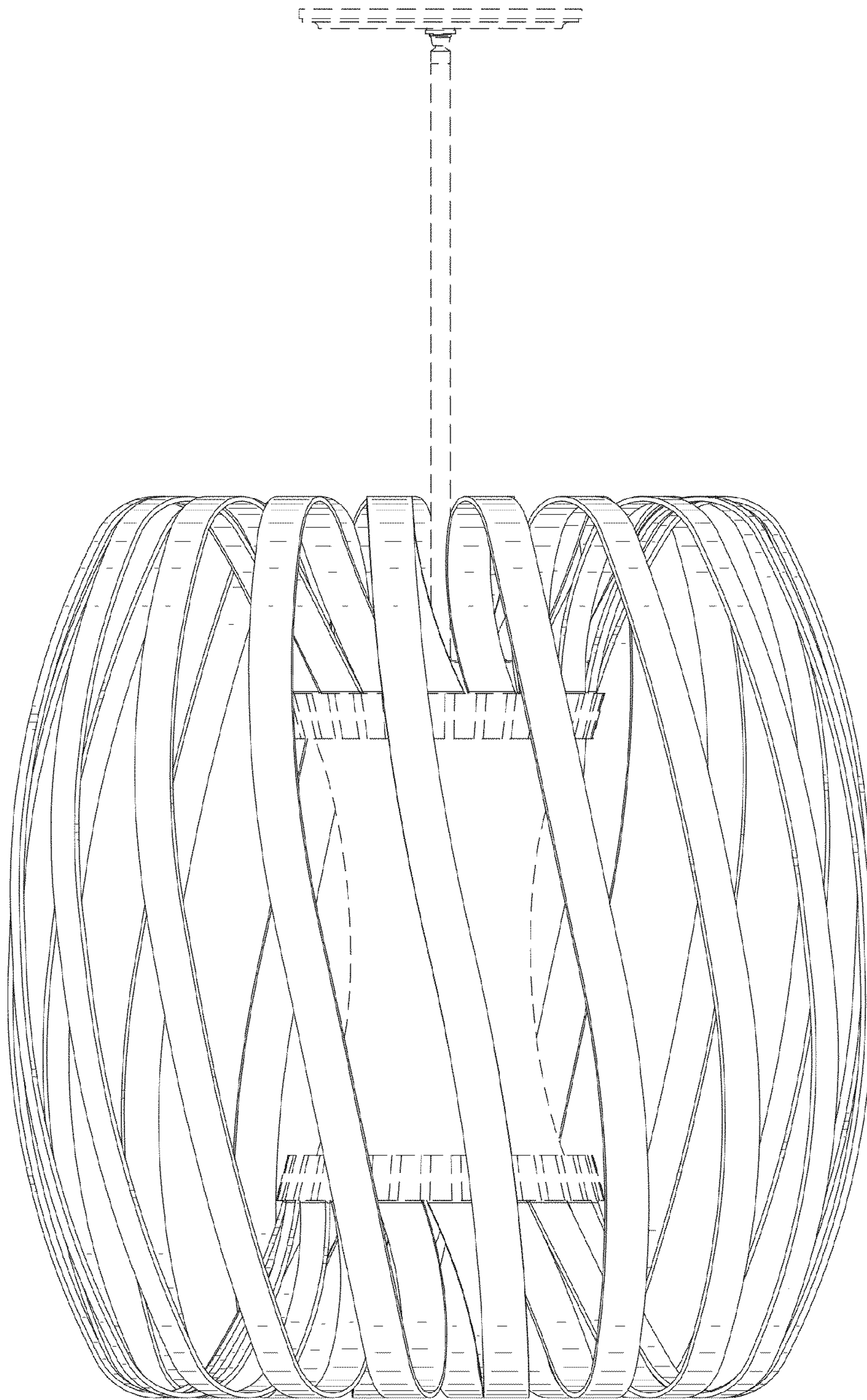


FIG. 9

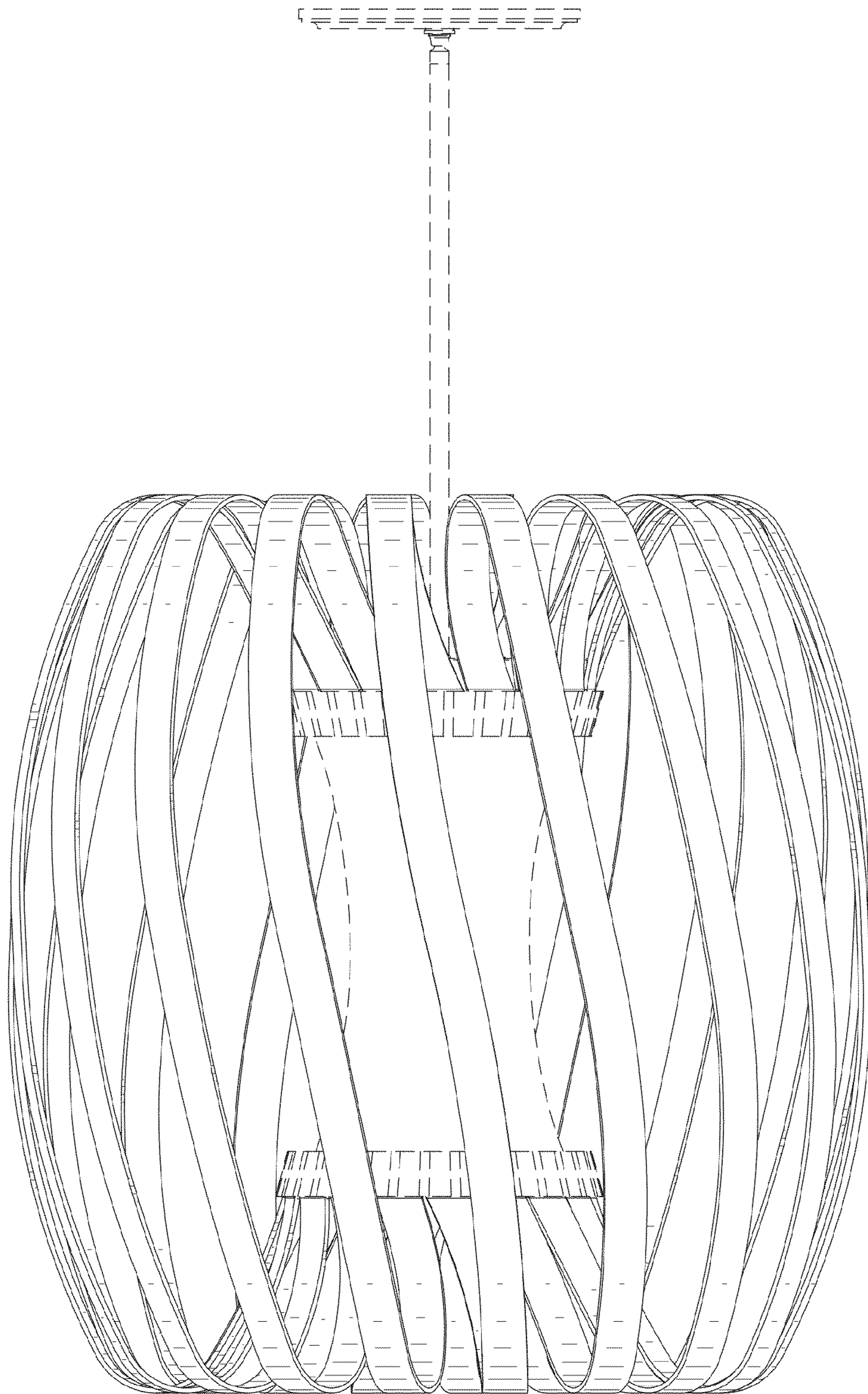


FIG. 10

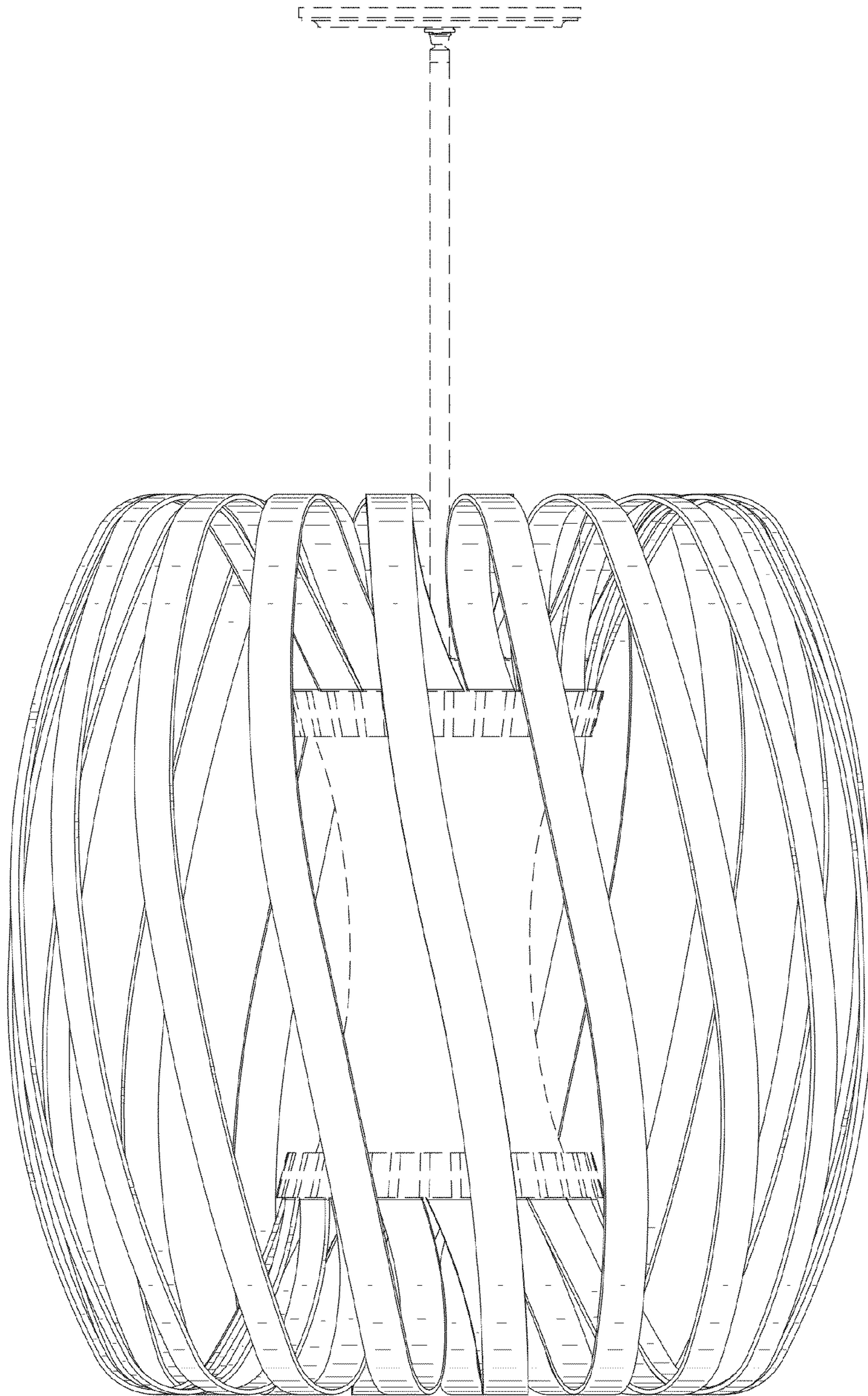


FIG. 11

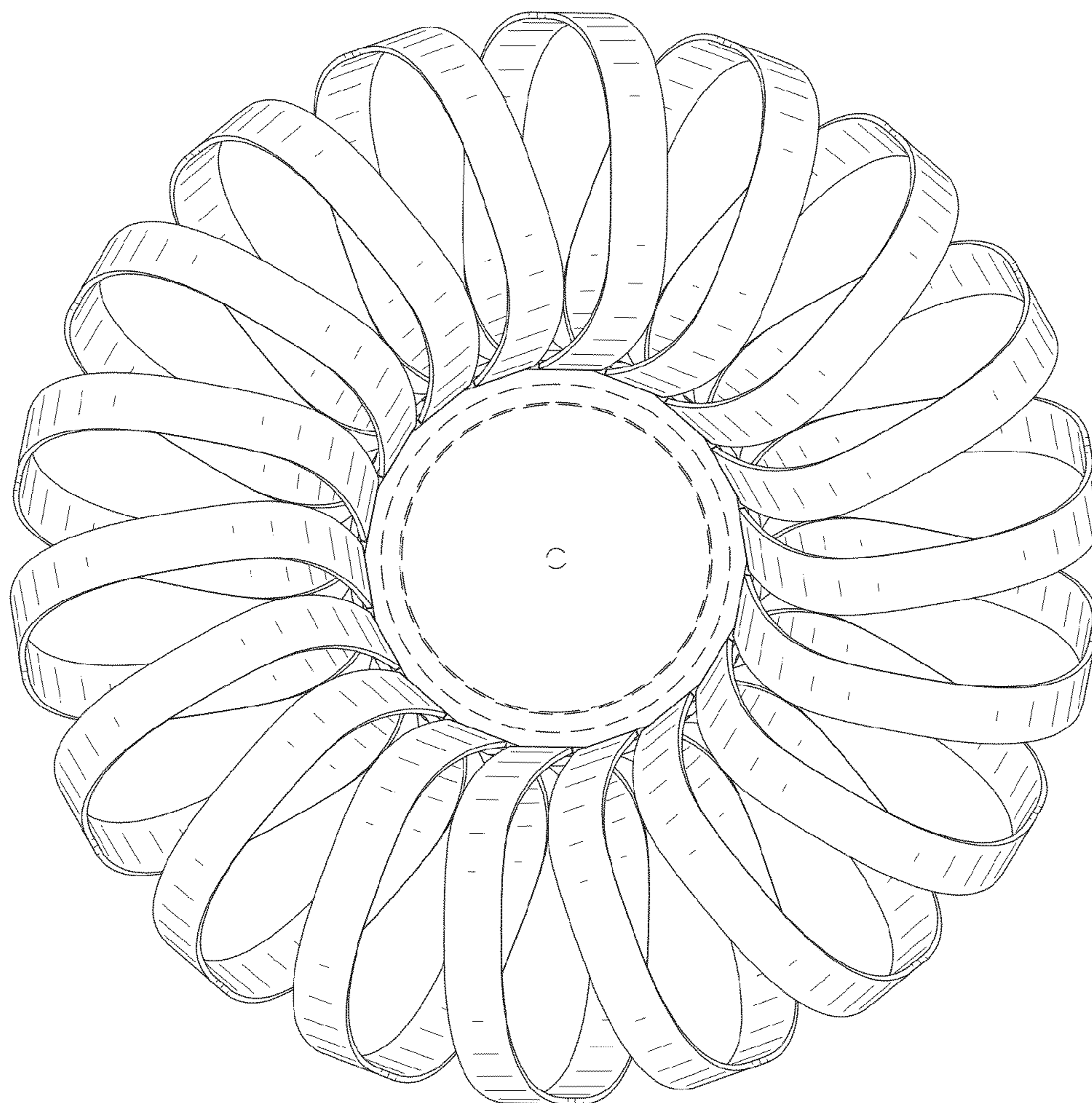


FIG. 12