



US00D700733S

(12) **United States Design Patent**  
**Ricci**

(10) **Patent No.:** **US D700,733 S**  
(45) **Date of Patent:** **\*\* Mar. 4, 2014**

(54) **LIGHT FIXTURE**

(71) Applicant: **Swarovski Lighting, Ltd.**, Plattsburg, NY (US)

(72) Inventor: **Stefano Ricci**, Rome (IT)

(73) Assignee: **Swarovski Lighting, Ltd.**, Plattsburgh, NY (US)

(\*\*) Term: **14 Years**

(21) Appl. No.: **29/448,342**

(22) Filed: **Mar. 12, 2013**

(51) **LOC (10) Cl.** ..... **26-03**

(52) **U.S. Cl.**  
USPC ..... **D26/88**

(58) **Field of Classification Search**  
USPC ..... D26/72, 80-84, 88-91, 118, 120-127;  
362/147, 311.13, 404-408  
See application file for complete search history.

(56) **References Cited**

U.S. PATENT DOCUMENTS

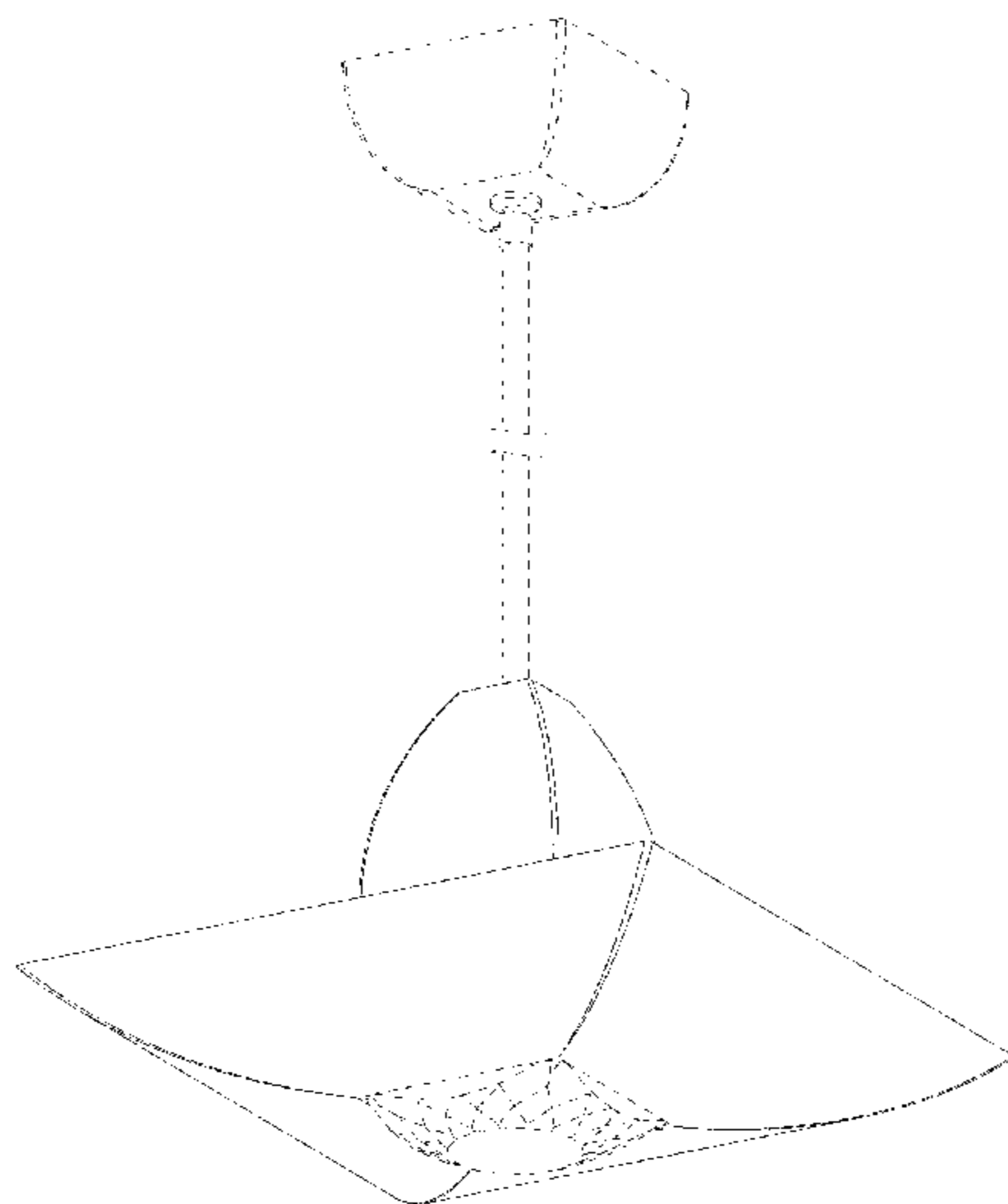
D87,923 S *	10/1932	Hoffmann	.....	D26/88
D100,677 S *	8/1936	Sibbert	.....	D26/88
D101,317 S *	9/1936	Winkler	.....	D26/88
D105,628 S *	8/1937	Wiesler	.....	D26/88
D208,461 S *	9/1967	Morgan	.....	D26/120
D228,147 S *	8/1973	Boros	.....	D26/88
5,144,541 A	9/1992	Schonbek		

(Continued)

OTHER PUBLICATIONS

Swarovski Price List, Downsquare lighting fixtures and Madison lighting fixtures, available from D. Swarovski & Co, Wattens, Austria, 7-pages, Jun. 28, 2012.

(Continued)



Primary Examiner — Clare E Heflin

(74) Attorney, Agent, or Firm — Heslin Rothenberg Farley & Mesiti P.C.

(57) **CLAIM**

The ornamental design for a light fixture, as shown and described.

**DESCRIPTION**

This application contains subject matter which is related to the subject matter of commonly assigned and co-filed U.S. Utility patent application Ser. No. 13/795,272, entitled "Lighting Fixtures And Methods For Providing Illumination" by Stefano Ricci, which is hereby incorporated in its entirety herein by reference.

FIG. 1 is a perspective view of a light fixture in accordance with the new design;

FIG. 2 is a front elevational view thereof, a right side elevational view, a left side elevational view, and a rear elevational view being identical thereto;

FIG. 3 is a bottom view thereof;

FIG. 4 is a another perspective view of the light fixture of FIG. 1;

FIG. 5 is a front elevational view thereof, a right side elevational view, a left side elevational view, and a rear elevational view being identical thereto;

FIG. 6 is a bottom view thereof;

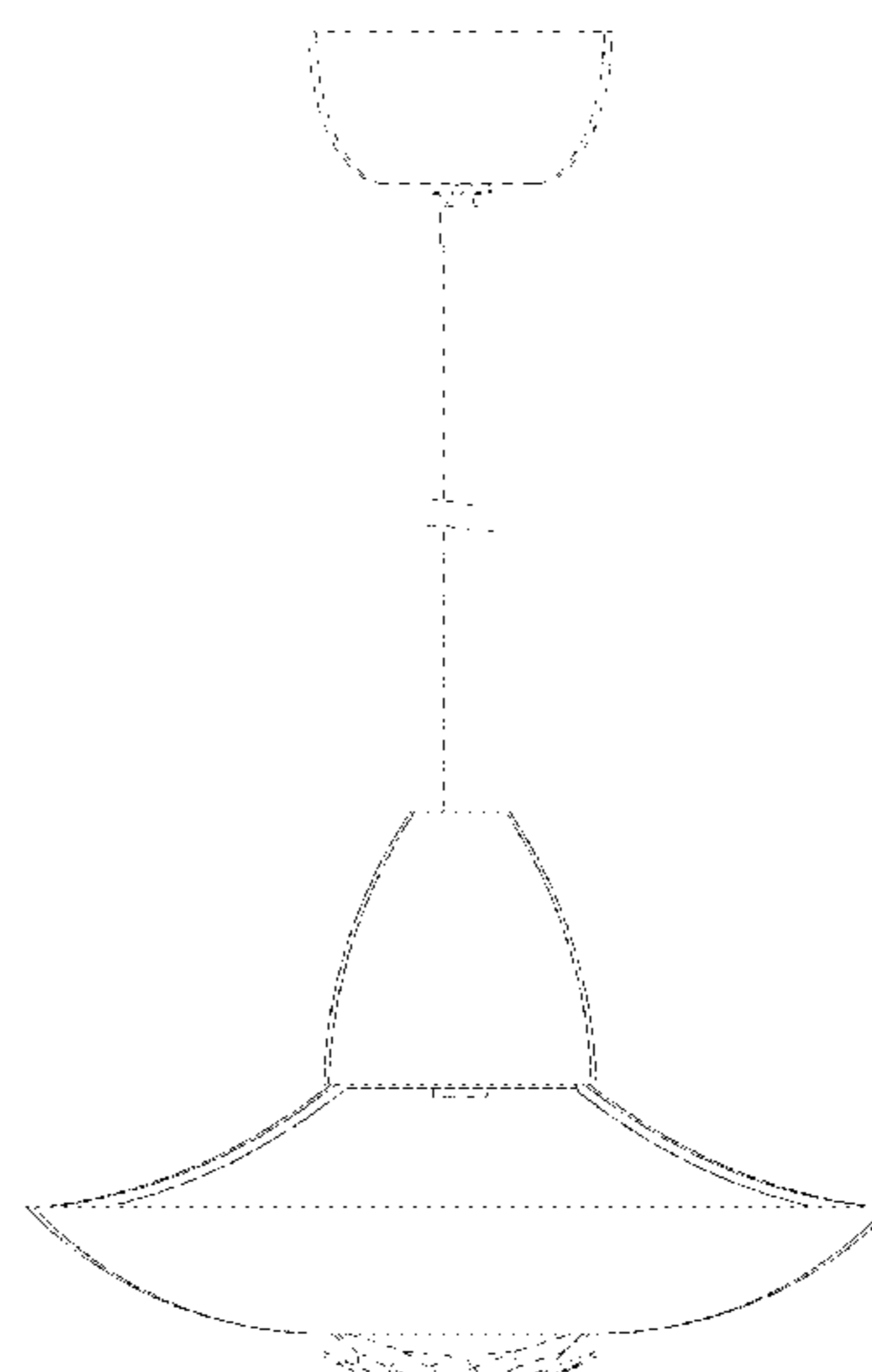
FIG. 7 is another perspective view of the light fixture of FIG. 1;

FIG. 8 is a front elevational view thereof, a right side elevational view, a left side elevational view, and a rear elevational view being identical thereto; and,

FIG. 9 is a bottom view thereof.

The broken lines in the figures are for illustration purposes only and form no part of the claimed invention.

**1 Claim, 9 Drawing Sheets**



(56)

**References Cited**

U.S. PATENT DOCUMENTS

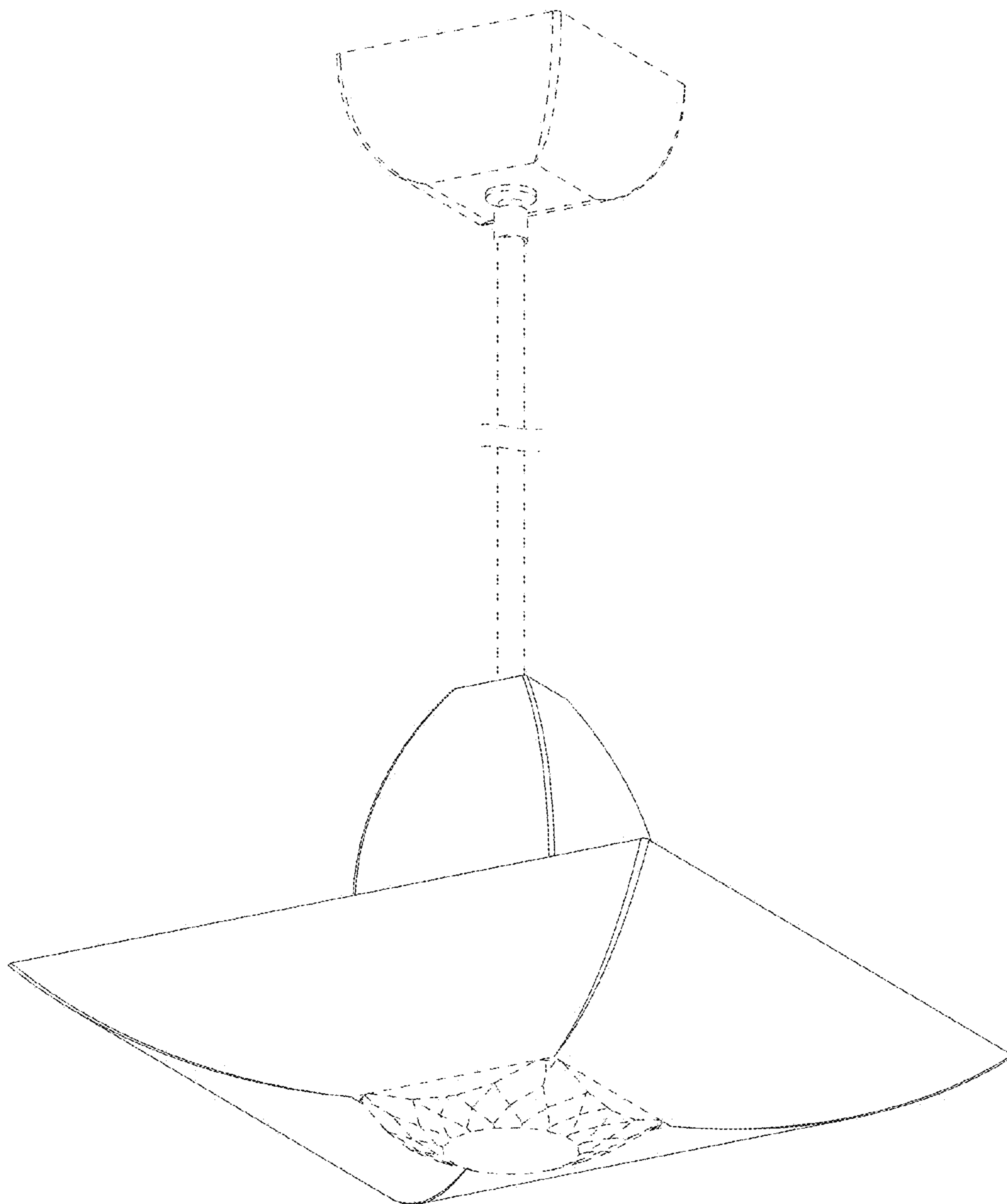
D335,546 S 5/1993 Schonbek  
 D335,720 S 5/1993 Schonbek  
 D338,082 S 8/1993 Schonbek  
 D354,579 S 1/1995 Chan  
 5,414,606 A 5/1995 Weingartner  
 D372,322 S \* 7/1996 Porter ..... D26/88  
 5,577,838 A 11/1996 Lucas  
 D407,521 S 3/1999 Crosby  
 D441,119 S 4/2001 Crosby  
 D456,932 S 5/2002 Crosby  
 D496,124 S \* 9/2004 Parres ..... D26/85  
 D517,240 S 3/2006 Yando  
 D518,225 S 3/2006 Yando et al.  
 7,014,061 B2 \* 3/2006 Hoffbauer ..... 220/662  
 D522,168 S 5/2006 Schuyler  
 D523,578 S 6/2006 Schuyler et al.  
 D523,988 S 6/2006 Schuyler  
 D536,468 S 2/2007 Crosby  
 D536,820 S 2/2007 Crosby  
 D554,285 S 10/2007 Schuyler

D570,527 S 6/2008 Pelzl  
 D575,440 S 8/2008 Pelzl  
 D575,442 S 8/2008 Pelzl  
 D582,091 S \* 12/2008 Nicholas ..... D26/88  
 D606,702 S \* 12/2009 Chandler ..... D26/88  
 D613,998 S 4/2010 Zeisner  
 8,002,446 B1 8/2011 Plunk et al.  
 D652,635 S 1/2012 Orthlieb et al.  
 D655,856 S 3/2012 Burks  
 D670,020 S \* 10/2012 Herremans ..... D26/88  
 8,342,718 B2 1/2013 Kikoski  
 D683,885 S \* 6/2013 Kim et al. .... D26/84  
 2012/0257393 A1 10/2012 Zeisner

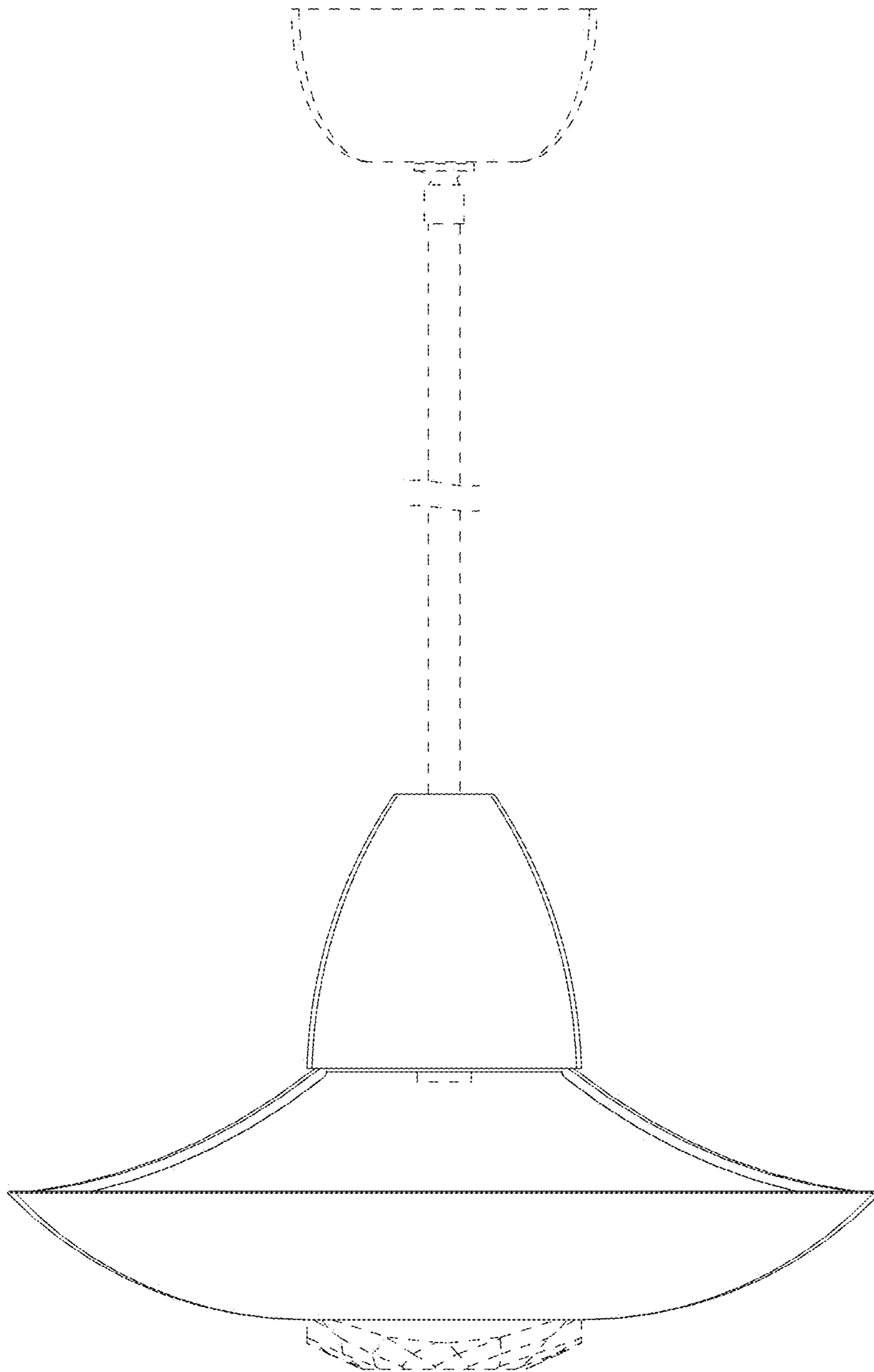
OTHER PUBLICATIONS

Swarovski Innovations in Lighting Brochure 2008, Downsquare lighting fixtures and Madison lighting fixtures, available from D. Swarovski & Co, Wattens, Austria, 24-pages, 2008.  
 Stefano Ricci, pending Utility U.S. Appl. No. 13/795,272, filed Mar. 12, 2013, "Lighting Fixtures and Methods for Providing Illumination".

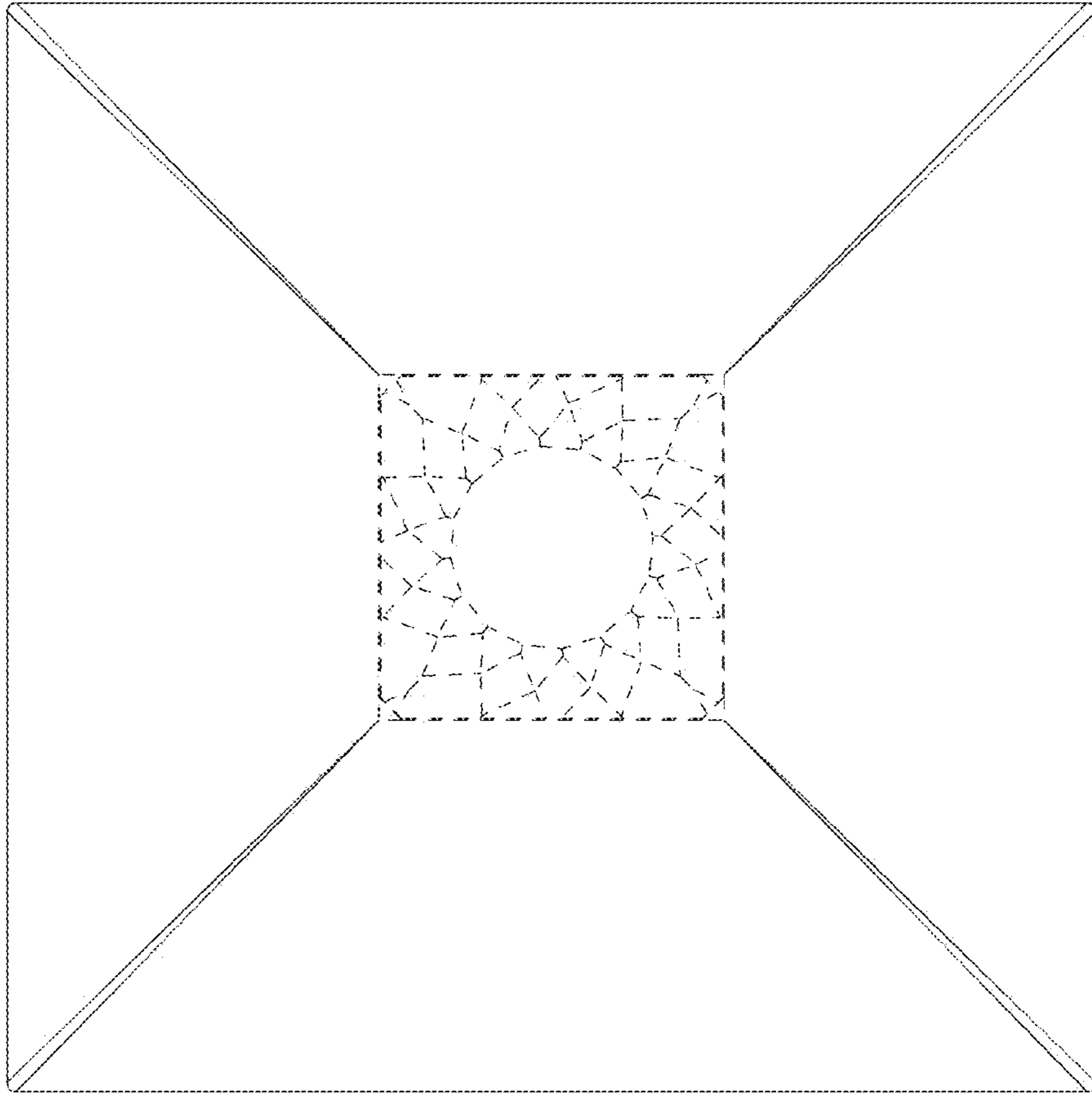
\* cited by examiner



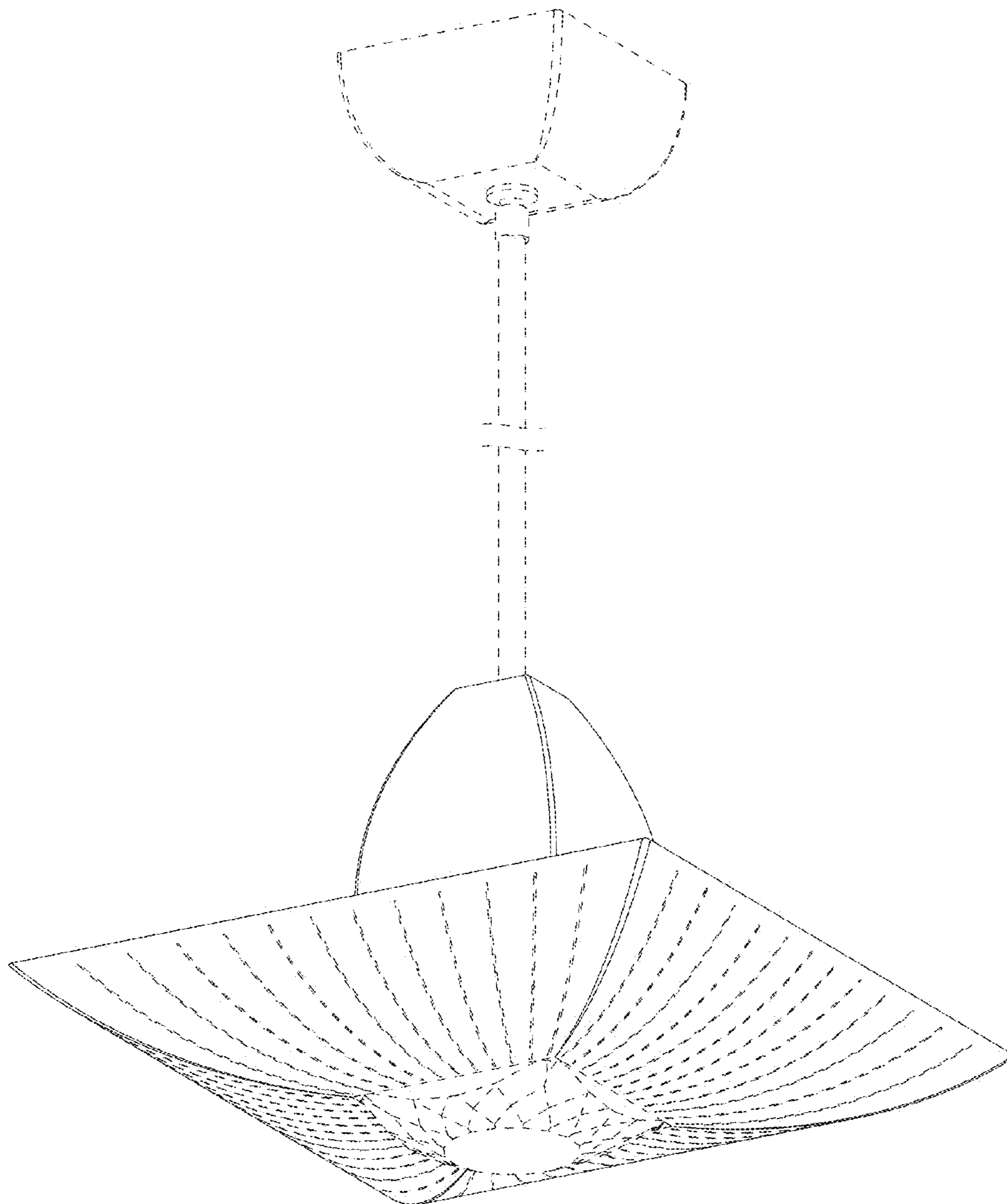
**FIG. 1**



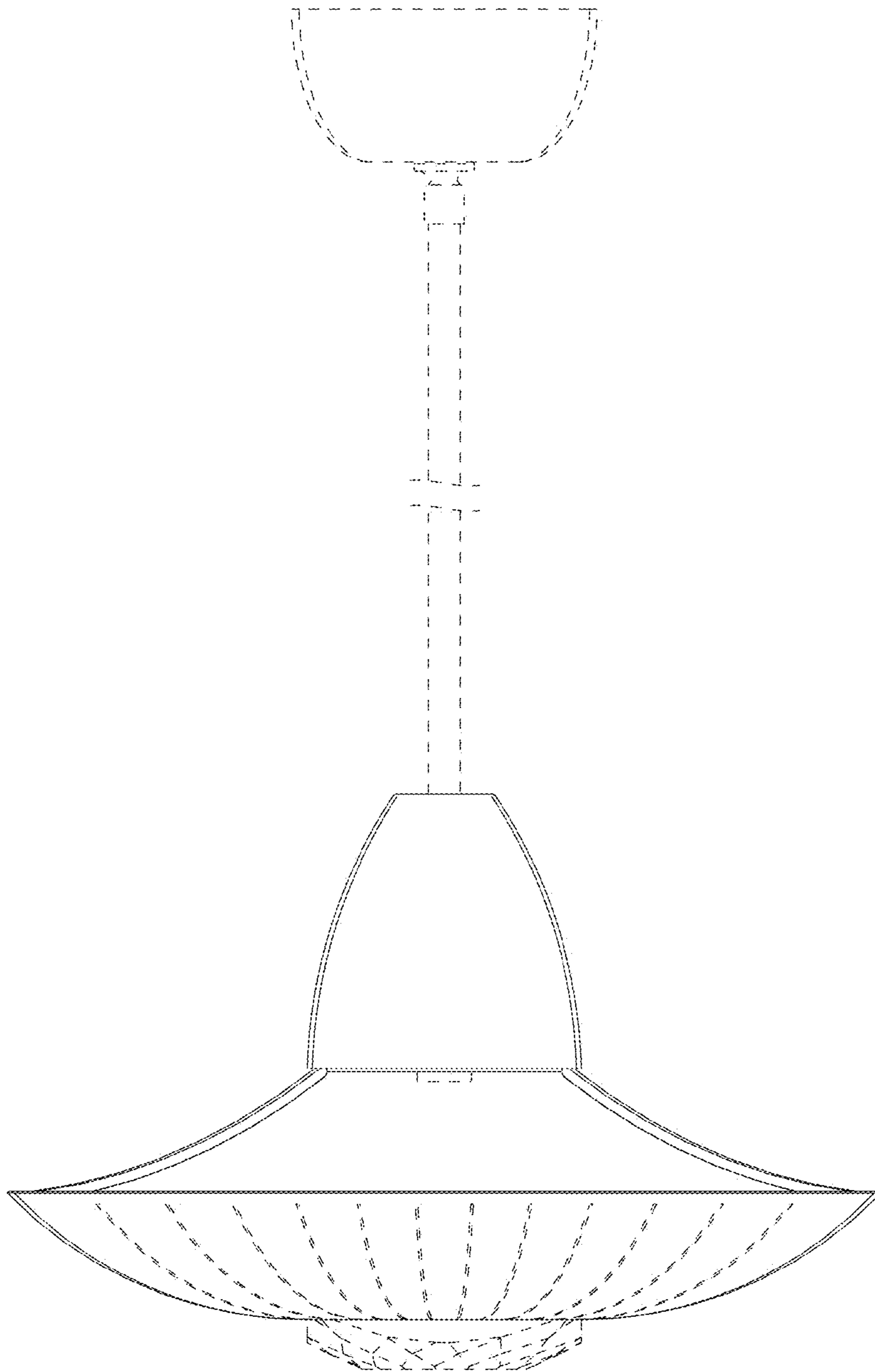
**FIG. 2**



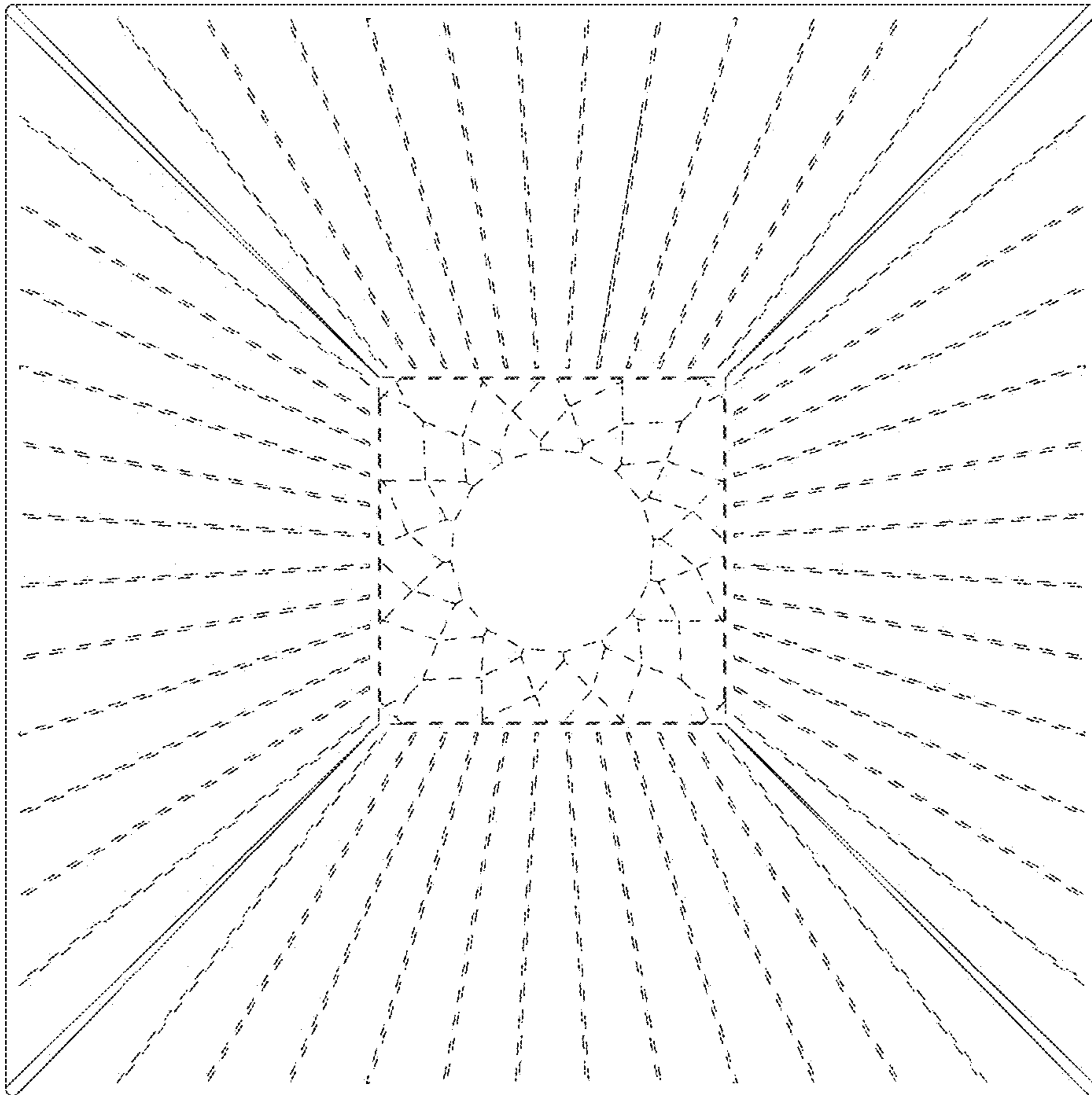
***FIG. 3***



**FIG. 4**

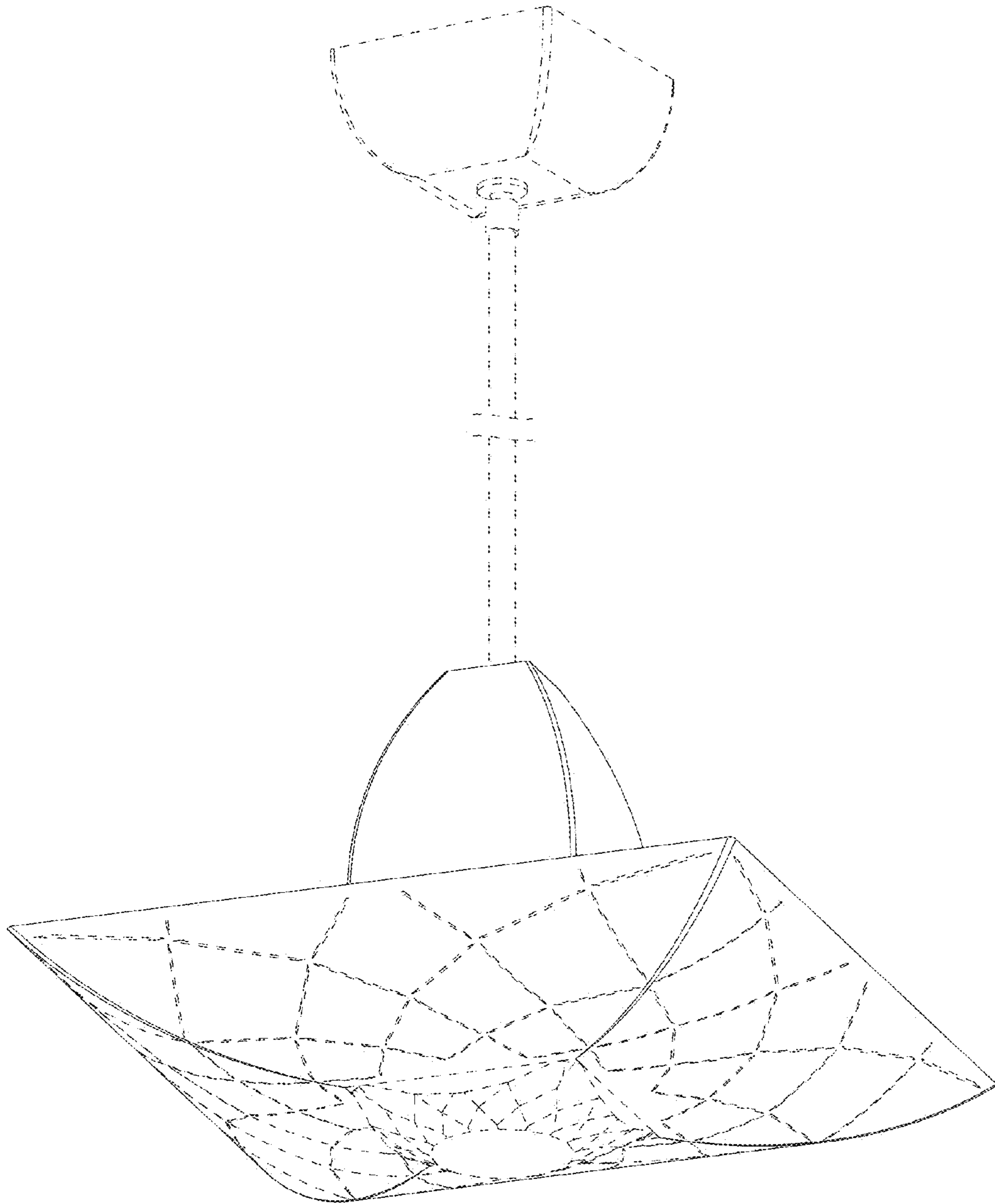


**FIG. 5**

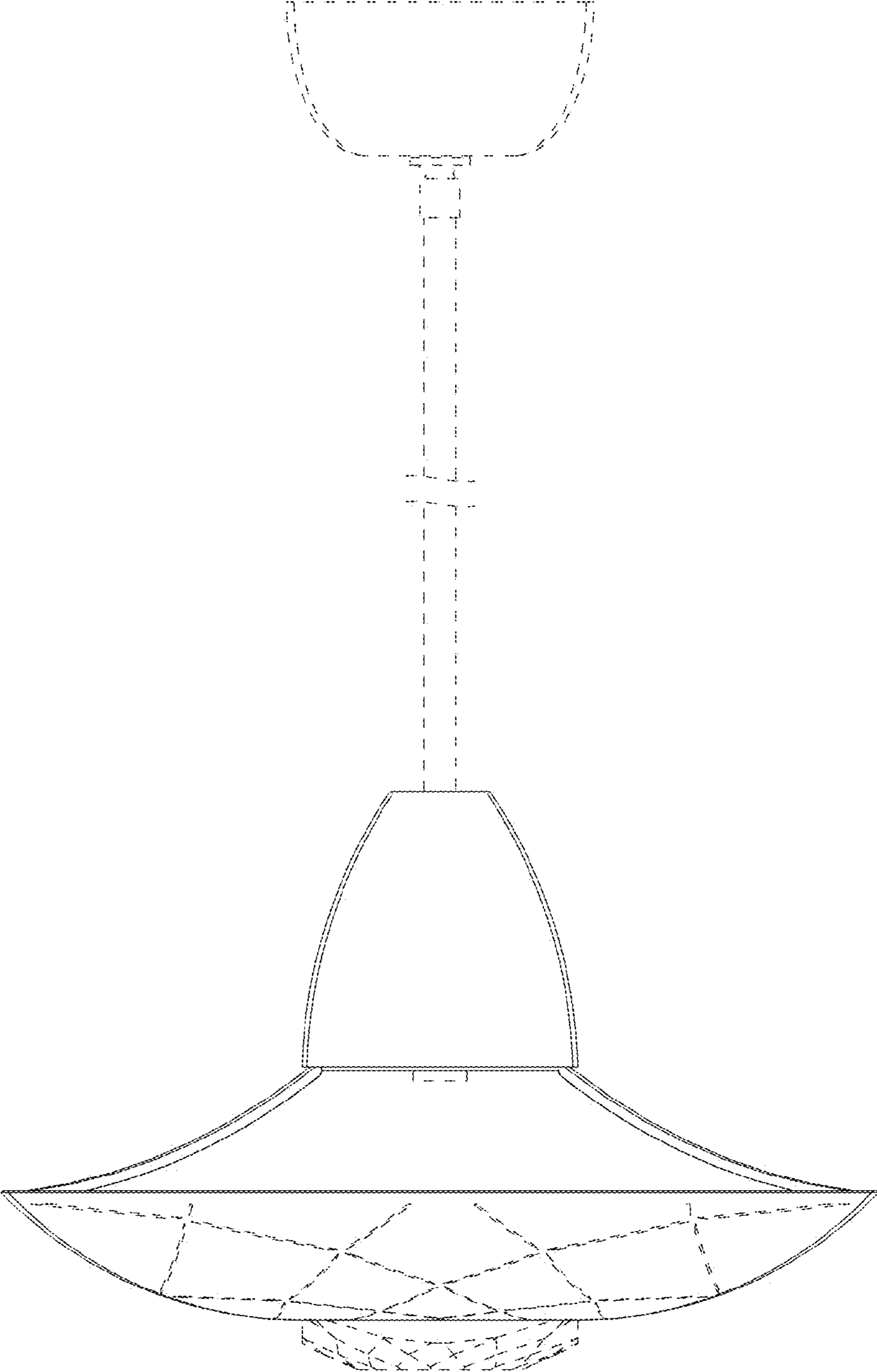


**FIG. 6**

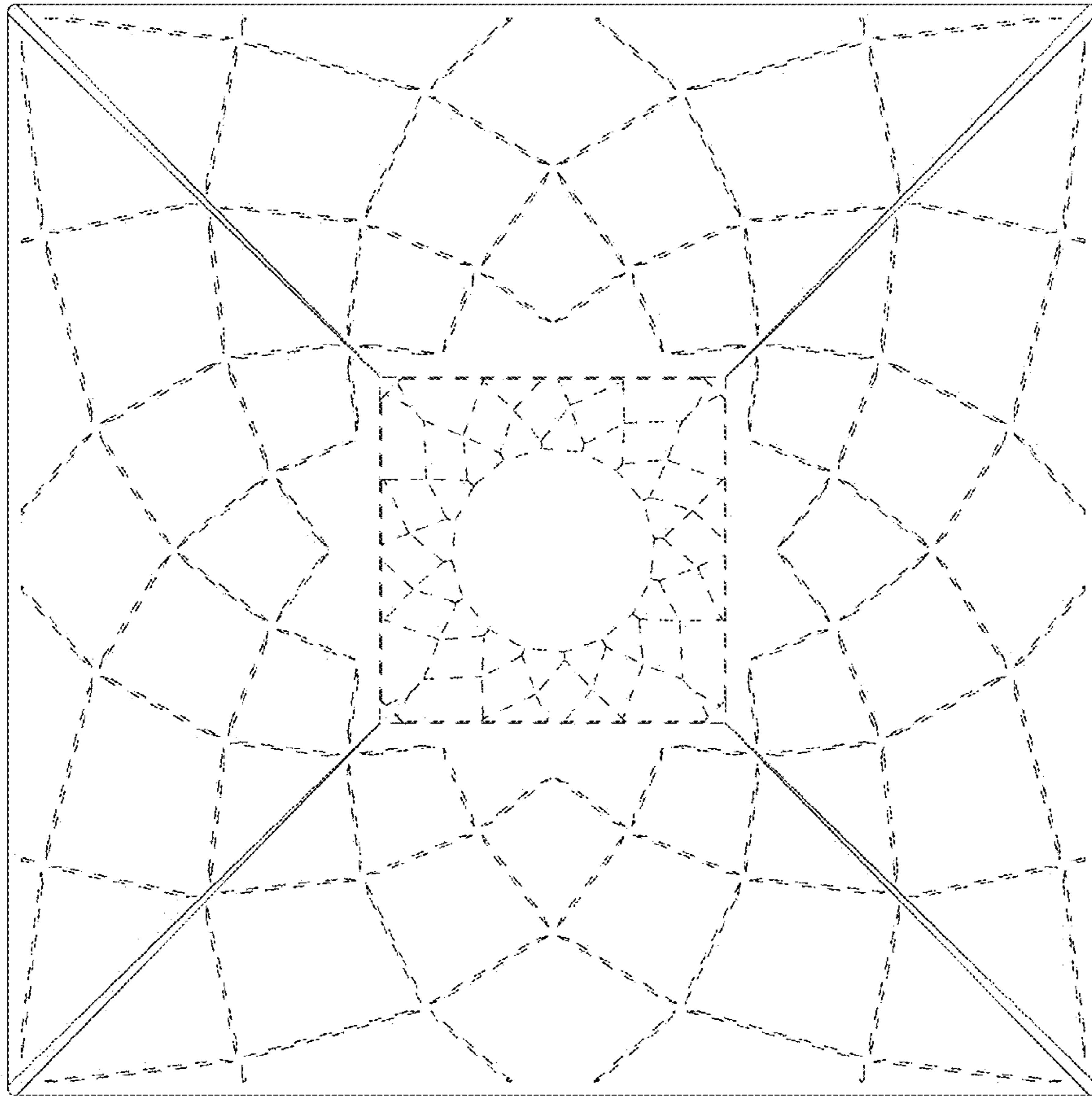




**FIG. 7**



**FIG. 8**



**FIG. 9**