



US00D700730S

(12) **United States Design Patent**
Behar et al.

(10) **Patent No.:** **US D700,730 S**
(45) **Date of Patent:** **** Mar. 4, 2014**

(54) **PATH LIGHT**

(71) Applicant: **Landscape Forms, Inc.**, Kalamazoo, MI (US)

(72) Inventors: **Yves Behar**, San Francisco, CA (US); **Joshua Tree Morenstein**, San Francisco, CA (US); **Nick Cronan**, Oakland, CA (US); **Liam Adelman**, San Francisco, CA (US)

(73) Assignee: **Landscape Forms, Inc.**, Kalamazoo, MI (US)

(**) Term: **14 Years**

(21) Appl. No.: **29/448,522**

(22) Filed: **Mar. 13, 2013**

(51) **LOC (10) Cl.** **26-05**

(52) **U.S. Cl.**
USPC **D26/69**

(58) **Field of Classification Search**
USPC D26/67-72, 118, 134, 135, 136;
362/145, 153, 153.1, 183, 431
See application file for complete search history.

(56) **References Cited**

U.S. PATENT DOCUMENTS

D279,410 S * 6/1985 Fiorentino et al. D26/69
D444,899 S * 7/2001 Bossy D26/68

D598,156 S * 8/2009 Xiao et al. D26/69
D599,049 S * 8/2009 Guercio D26/69
D617,486 S * 6/2010 Xiao et al. D26/67
D620,169 S * 7/2010 Schwartz et al. D26/71
D621,987 S * 8/2010 Tsai et al. D26/69
D622,886 S * 8/2010 Zheng et al. D26/69
D625,453 S * 10/2010 Morton et al. D26/68
D634,872 S * 3/2011 Guercio D26/69
D637,335 S * 5/2011 Bembridge D26/69
D642,723 S * 8/2011 Zheng D26/70
D665,939 S * 8/2012 Compton D26/68

* cited by examiner

Primary Examiner — Clare E Heflin

(74) *Attorney, Agent, or Firm* — Heslin Rothenberg Farley & Mesiti P.C.

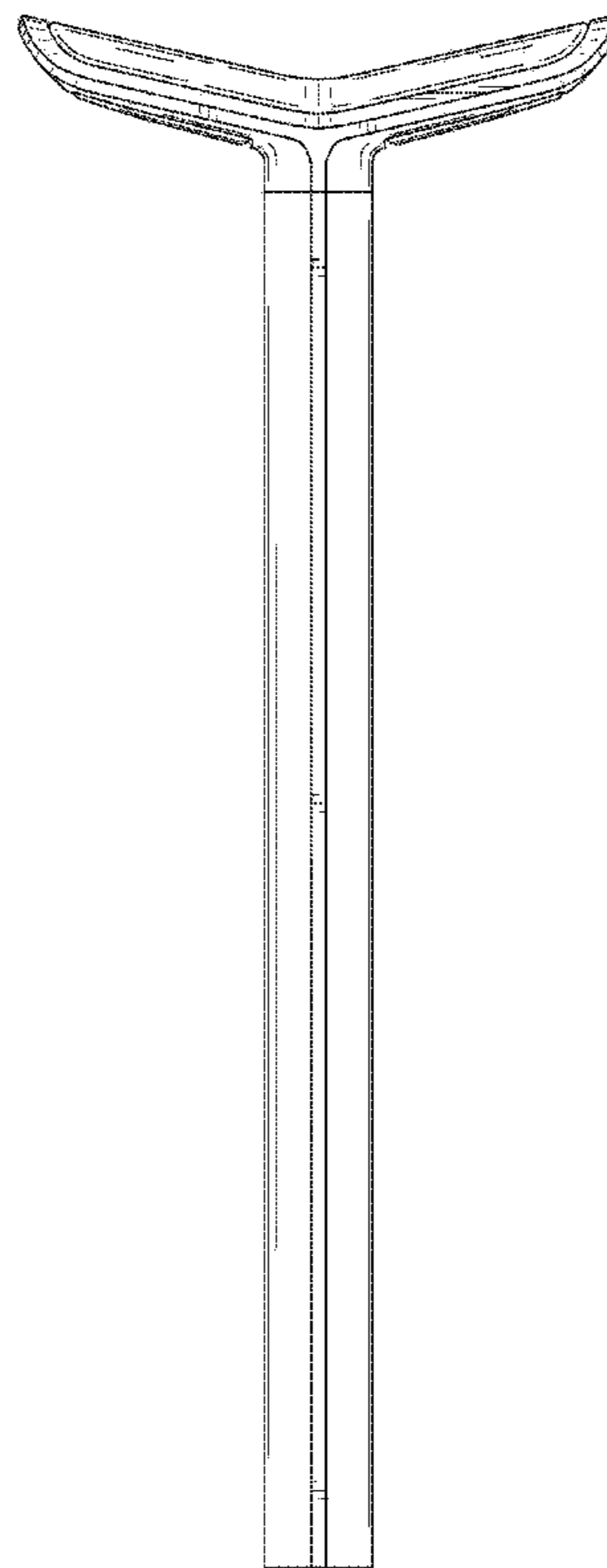
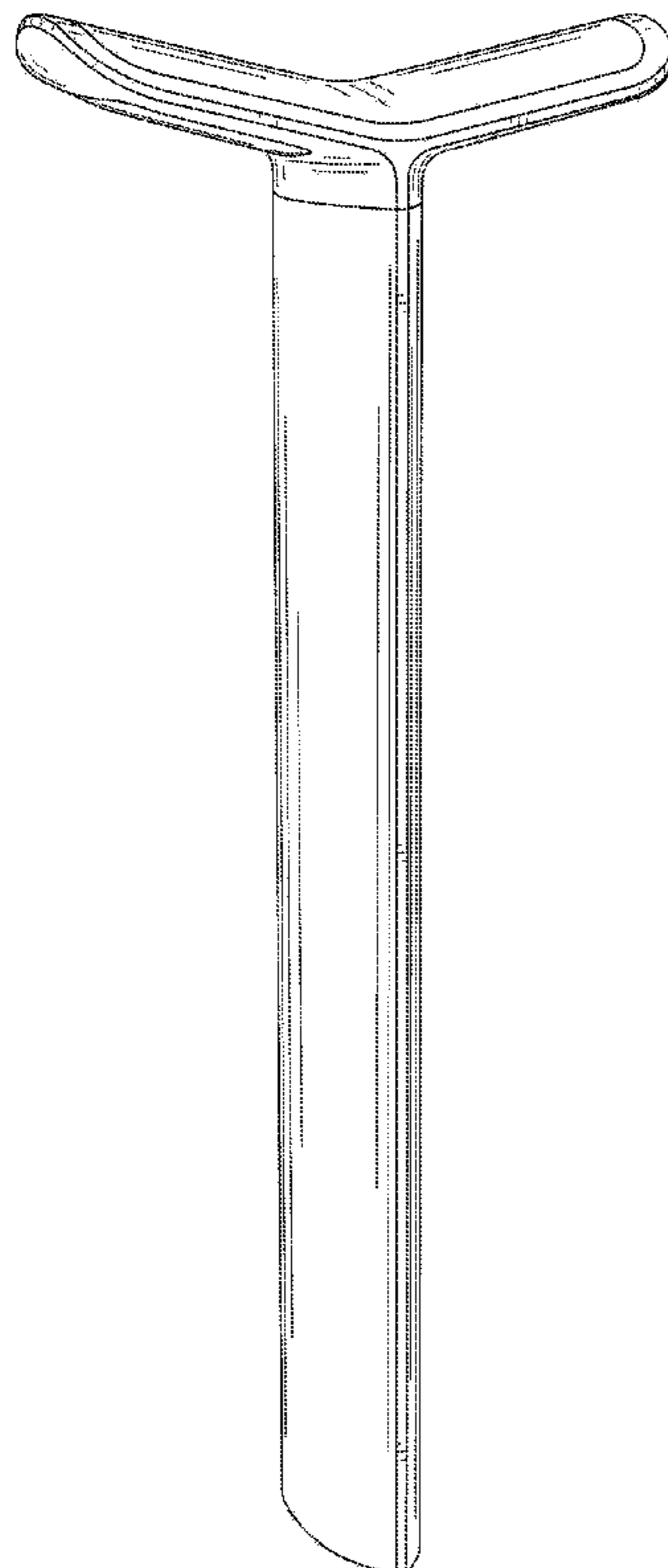
(57) **CLAIM**

The ornamental design for a path light, as shown and described.

DESCRIPTION

FIG. 1 is a perspective view of the path light of the present invention;
FIG. 2 is a front elevation view thereof, the rear elevation view being identical thereto;
FIG. 3 is a top plan view thereof; and,
FIG. 4 is a right side elevation view thereof, the left side elevation view being identical thereto.

1 Claim, 4 Drawing Sheets



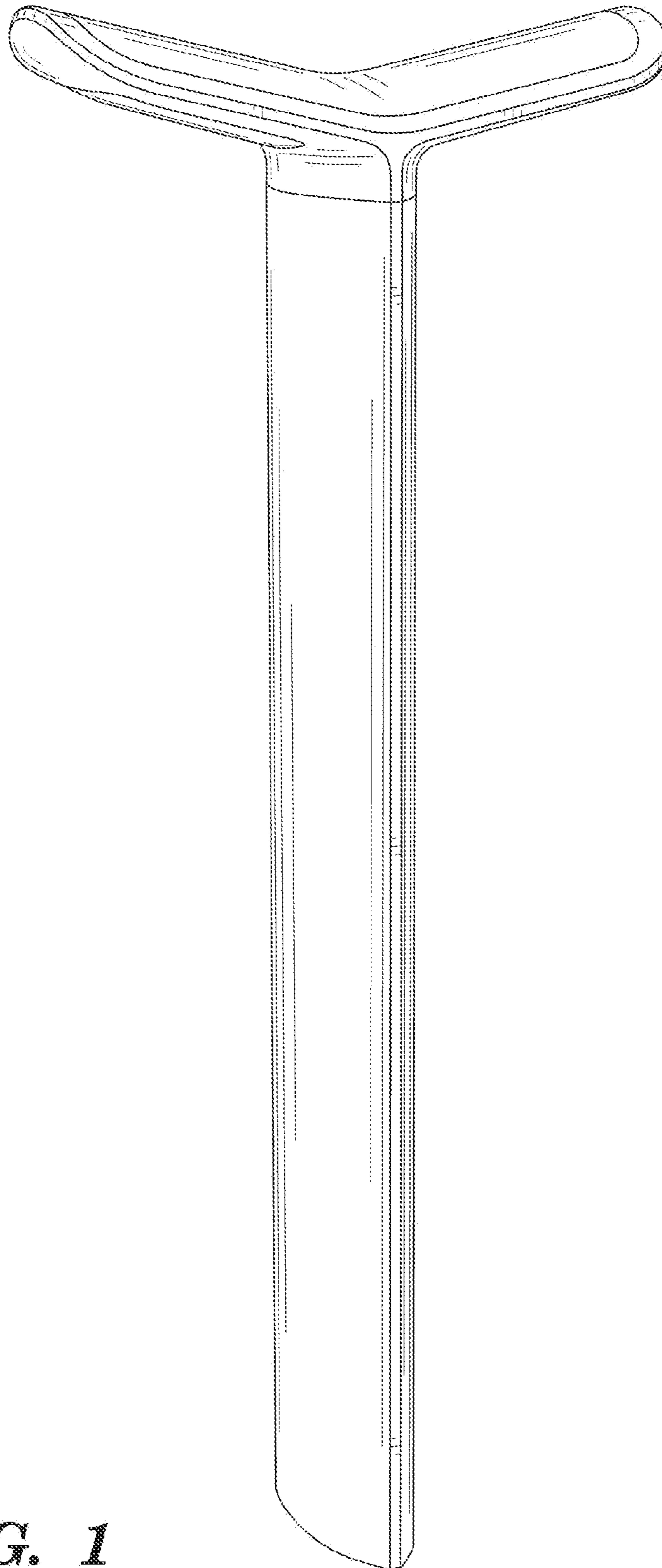


FIG. 1

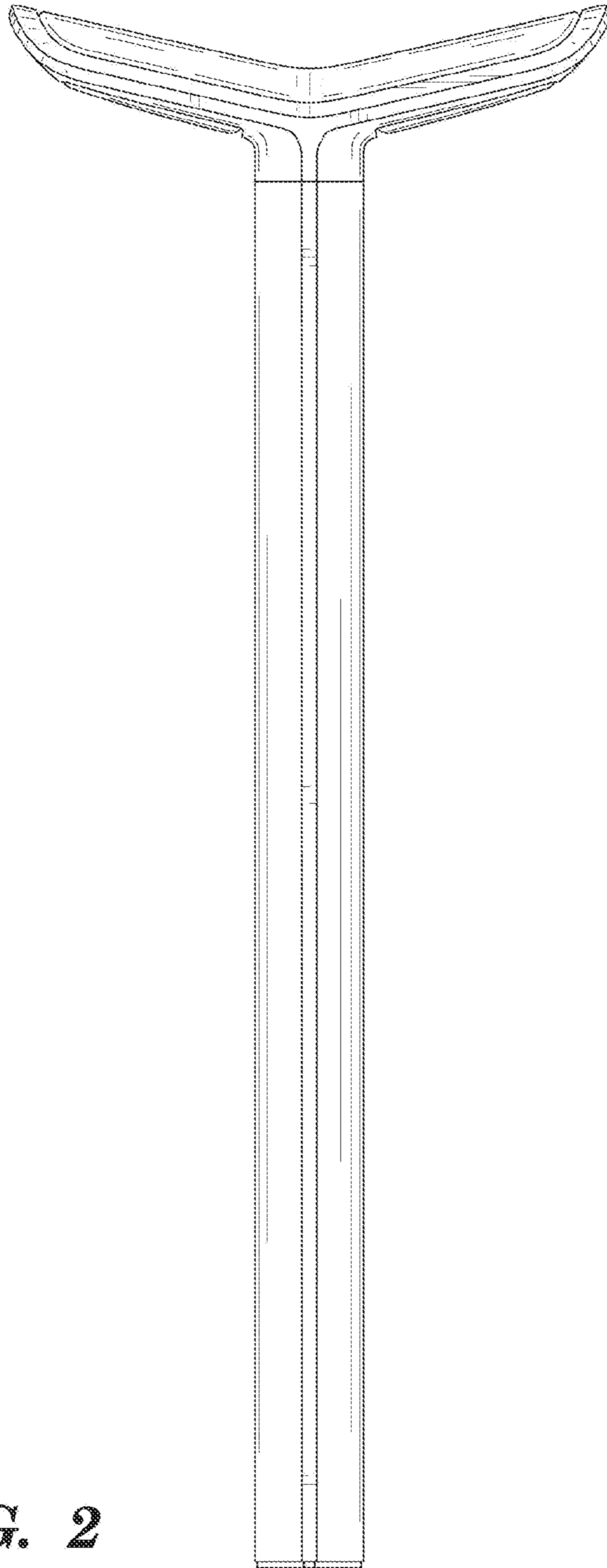


FIG. 2

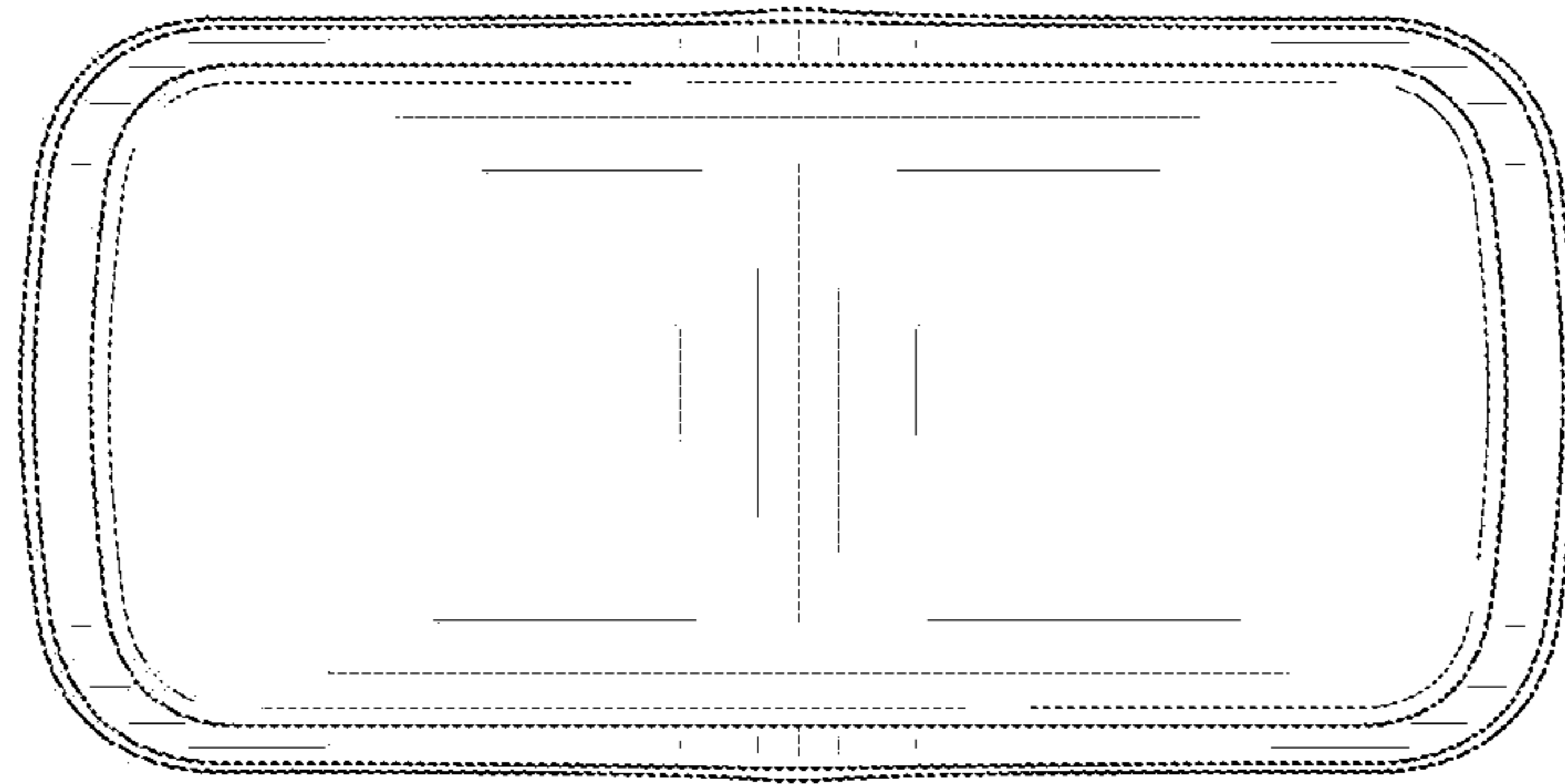


FIG. 3

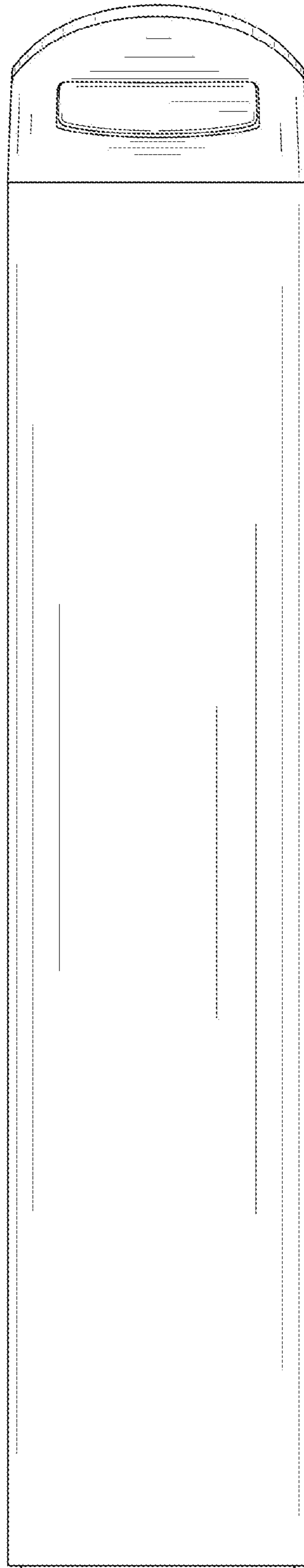


FIG. 4