



US00D700729S

(12) **United States Design Patent**  
**Skutch**

(10) **Patent No.:** **US D700,729 S**  
(45) **Date of Patent:** **\*\* Mar. 4, 2014**

(54) **SOLAR POWERED LIGHT**

(71) Applicant: **Steven N. Skutch**, Ottawa Hills, OH  
(US)

(72) Inventor: **Steven N. Skutch**, Ottawa Hills, OH  
(US)

(\*\*) Term: **14 Years**

(21) Appl. No.: **29/445,629**

(22) Filed: **Feb. 14, 2013**

(51) **LOC (10) Cl.** ..... **26-05**

(52) **U.S. Cl.**  
USPC ..... **D26/67; D26/73**

(58) **Field of Classification Search**  
USPC ..... D26/8, 67-72, 114, 116, 118, 25, 26,  
D26/60, 73, 94, 95, 97, 98, 125; 362/121,  
362/145, 183, 431, 124, 644, 653;  
D11/131, 157, 158, 162, 163  
See application file for complete search history.

(56) **References Cited**

**U.S. PATENT DOCUMENTS**

D209,219 S *	11/1967	Goldstein et al. ....	D99/37
D216,988 S *	3/1970	Rue .....	D11/157
D226,676 S *	4/1973	Felsen et al. ....	D26/94
D289,694 S *	5/1987	Pickett, Jr. ....	D26/51
D311,594 S *	10/1990	Medina .....	D26/47
D321,845 S *	11/1991	Nys .....	D11/157
D350,710 S *	9/1994	Keiffer .....	D11/157
D360,272 S *	7/1995	Chur .....	D26/94
D370,547 S *	6/1996	Moss .....	D26/94
D394,517 S	5/1998	Gebhard, Sr.	
D406,378 S	3/1999	Walters et al.	
D411,319 S *	6/1999	Baker .....	D26/25
D418,935 S *	1/2000	Gilbert et al. ....	D26/68
D420,733 S	2/2000	Chen	
D423,698 S	4/2000	Yuen	

D433,169 S	10/2000	Sullivan	
D435,921 S *	1/2001	Braley et al. ....	D26/25
D441,904 S *	5/2001	Westphal .....	D26/94
D473,334 S *	4/2003	Conser .....	D26/94
D477,270 S *	7/2003	Bowers .....	D12/400
D488,883 S	4/2004	Davis	
D545,474 S	6/2007	Nunes	
D546,998 S *	7/2007	Nunes .....	D26/73
D550,393 S	9/2007	VanderSchuit	
D550,396 S	9/2007	VanderSchuit	
D551,376 S	9/2007	Nunes	
D562,488 S	2/2008	Weisner	
D585,327 S *	1/2009	Jenkins .....	D11/157
D589,177 S	3/2009	Langley	
D621,976 S	8/2010	Langley	
D630,363 S	1/2011	Sooferian	
D640,808 S	6/2011	Weiser	
D659,871 S	5/2012	Lee et al.	
8,167,448 B1 *	5/2012	Borrows .....	362/106
D663,463 S	7/2012	Lee et al.	

\* cited by examiner

*Primary Examiner* — Clare E Heflin

(74) *Attorney, Agent, or Firm* — MacMillan, Sobanski & Todd, LLC

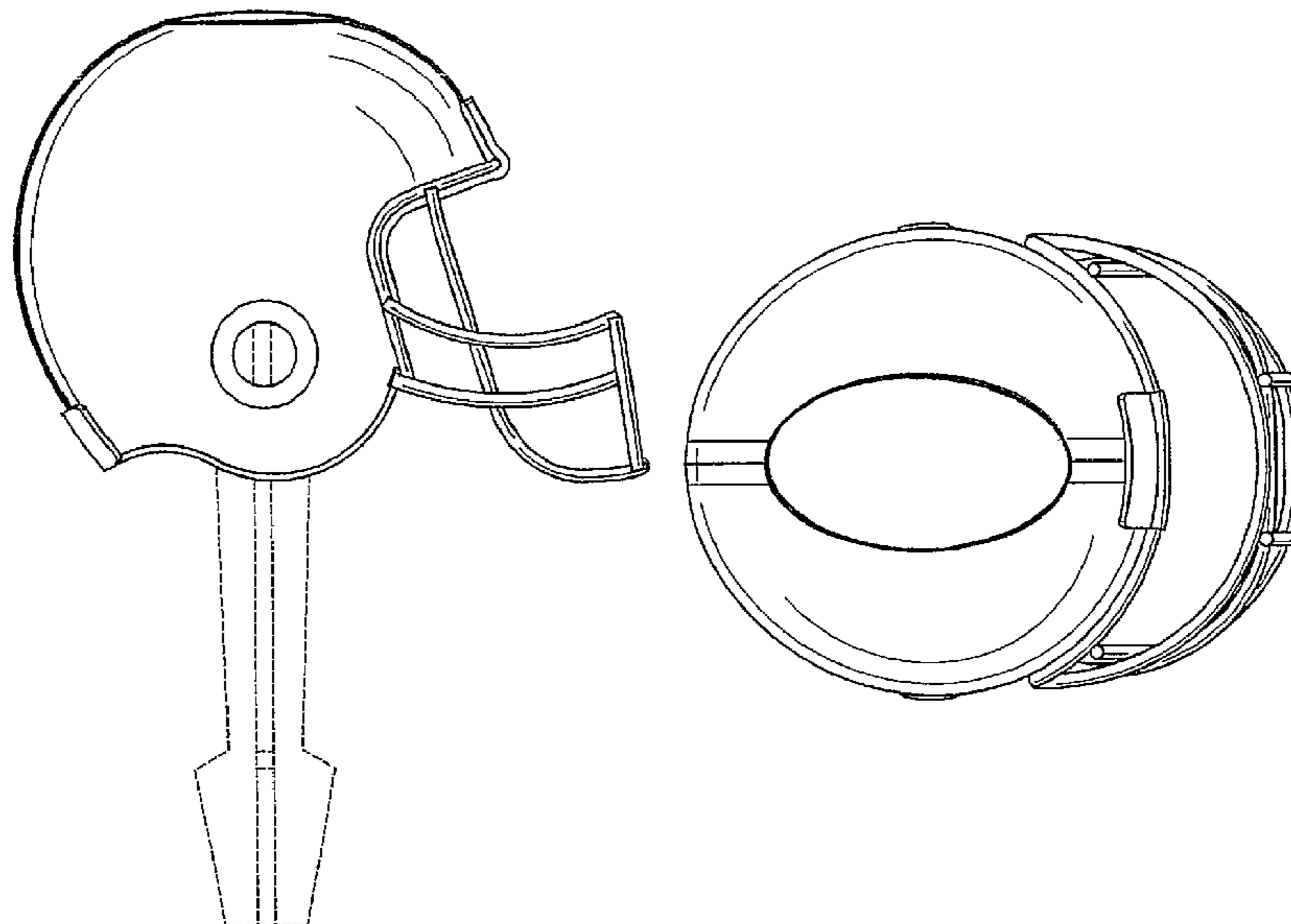
(57) **CLAIM**

The ornamental design for a solar powered light, as shown and described.

**DESCRIPTION**

FIG. 1 is a perspective view of a solar powered light embodying my design.  
FIG. 2 is a front elevation view thereof;  
FIG. 3 is a right side elevation view thereof;  
FIG. 4 is a rear elevation view thereof;  
FIG. 5 is a top plan view thereof; and,  
FIG. 6 is a bottom plan view thereof.  
The broken lines shown on the drawings depict portions of the solar powered light that form no part of the claimed design.

**1 Claim, 3 Drawing Sheets**



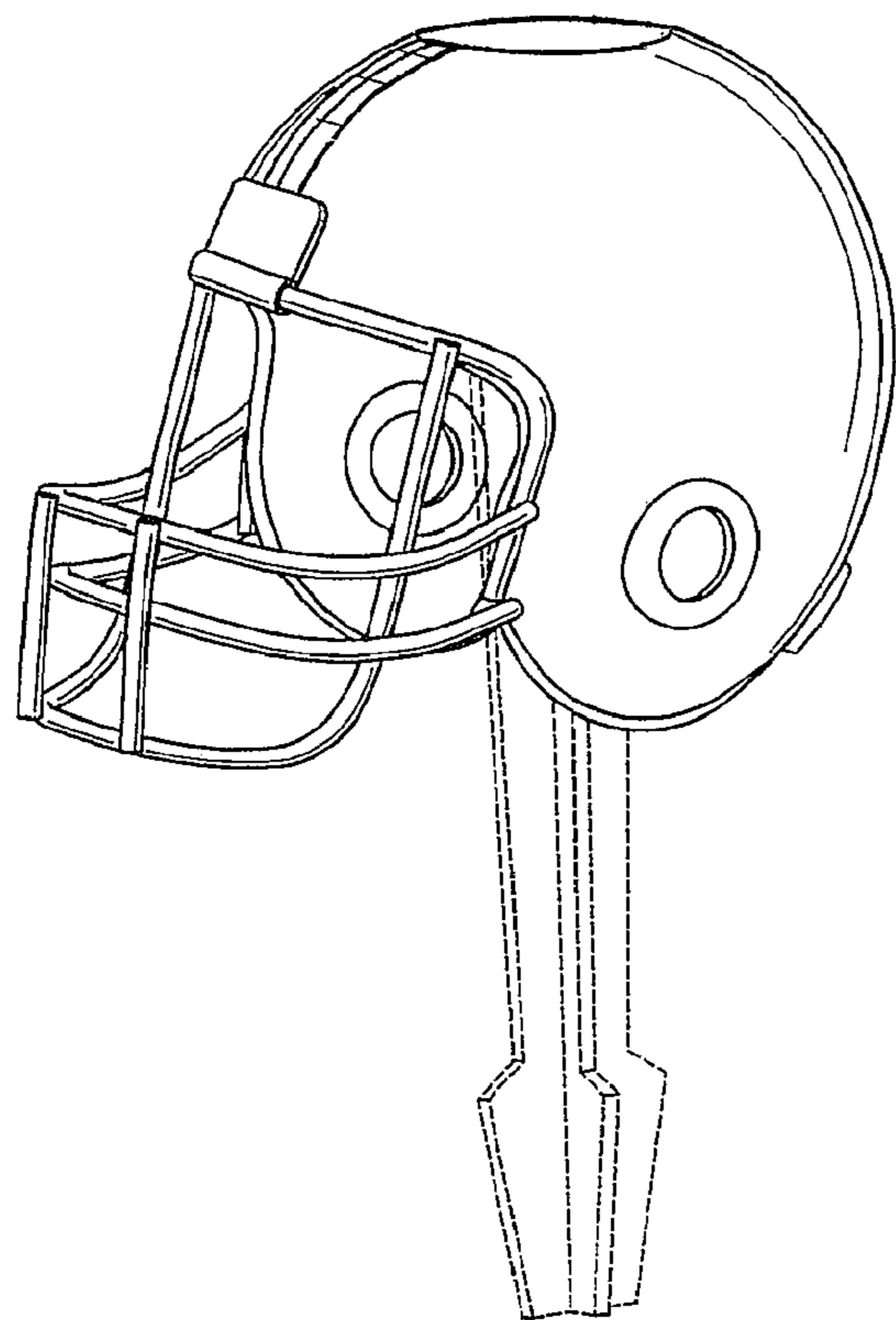


FIG. 1

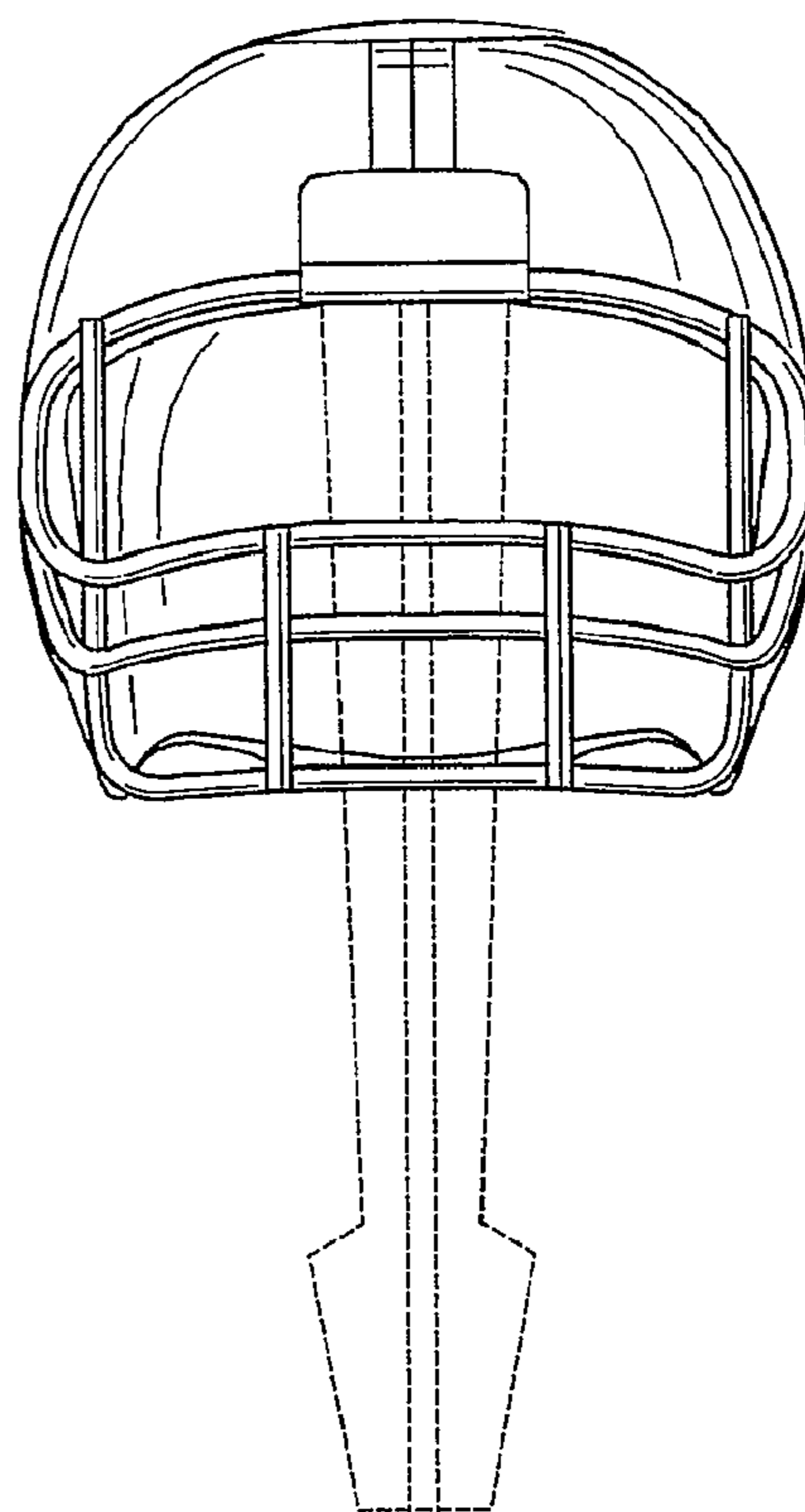


FIG. 2

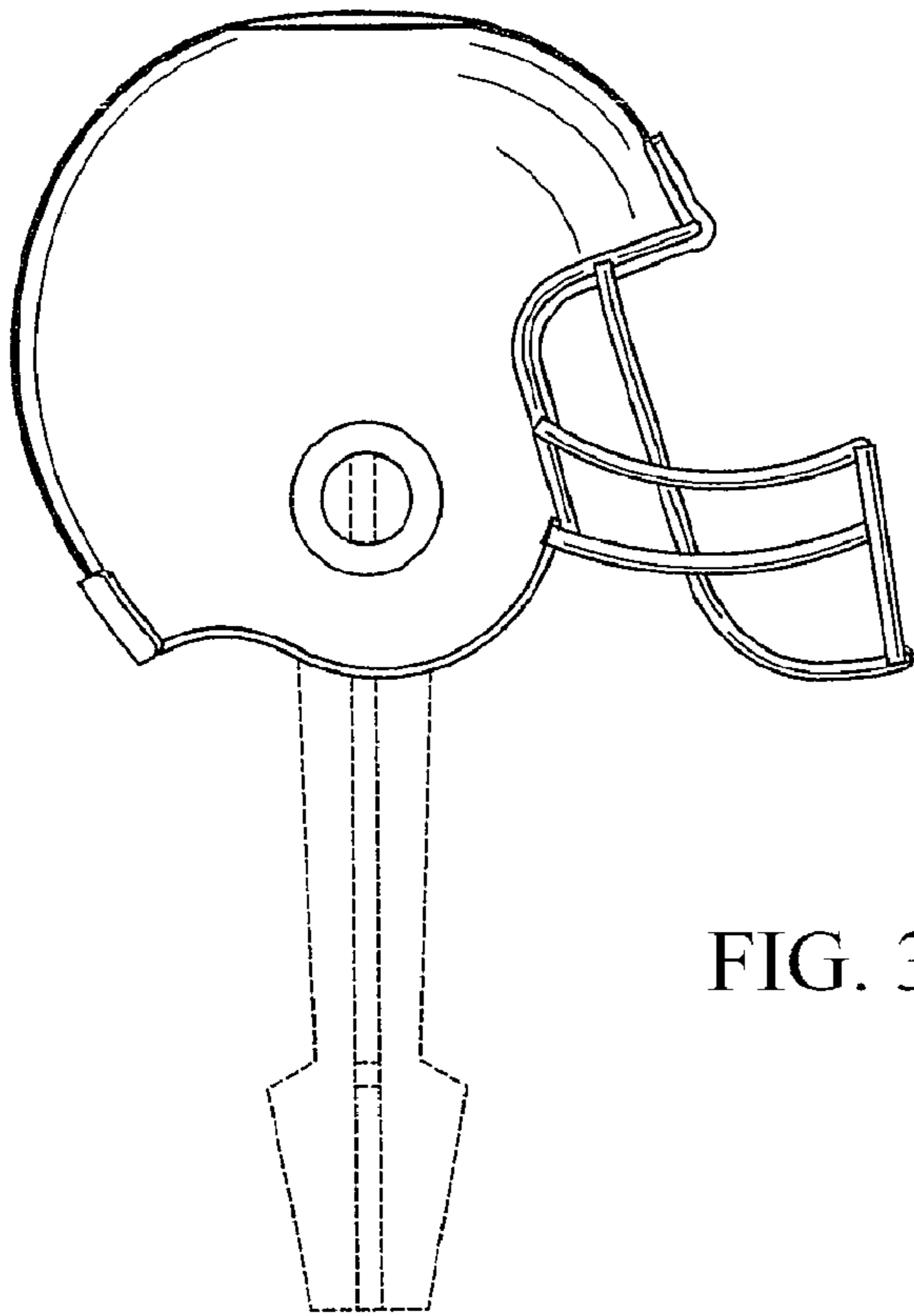


FIG. 3

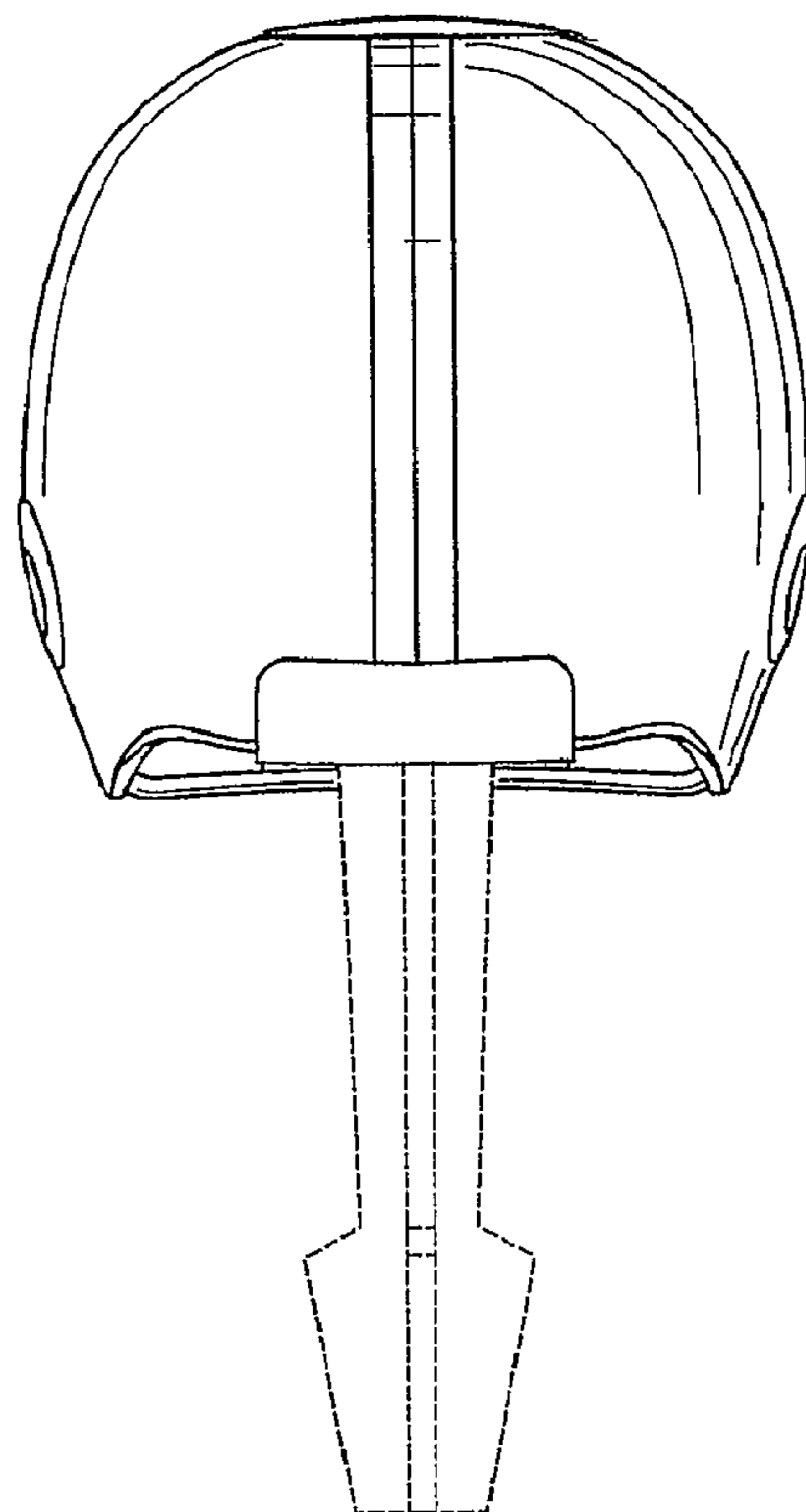


FIG. 4

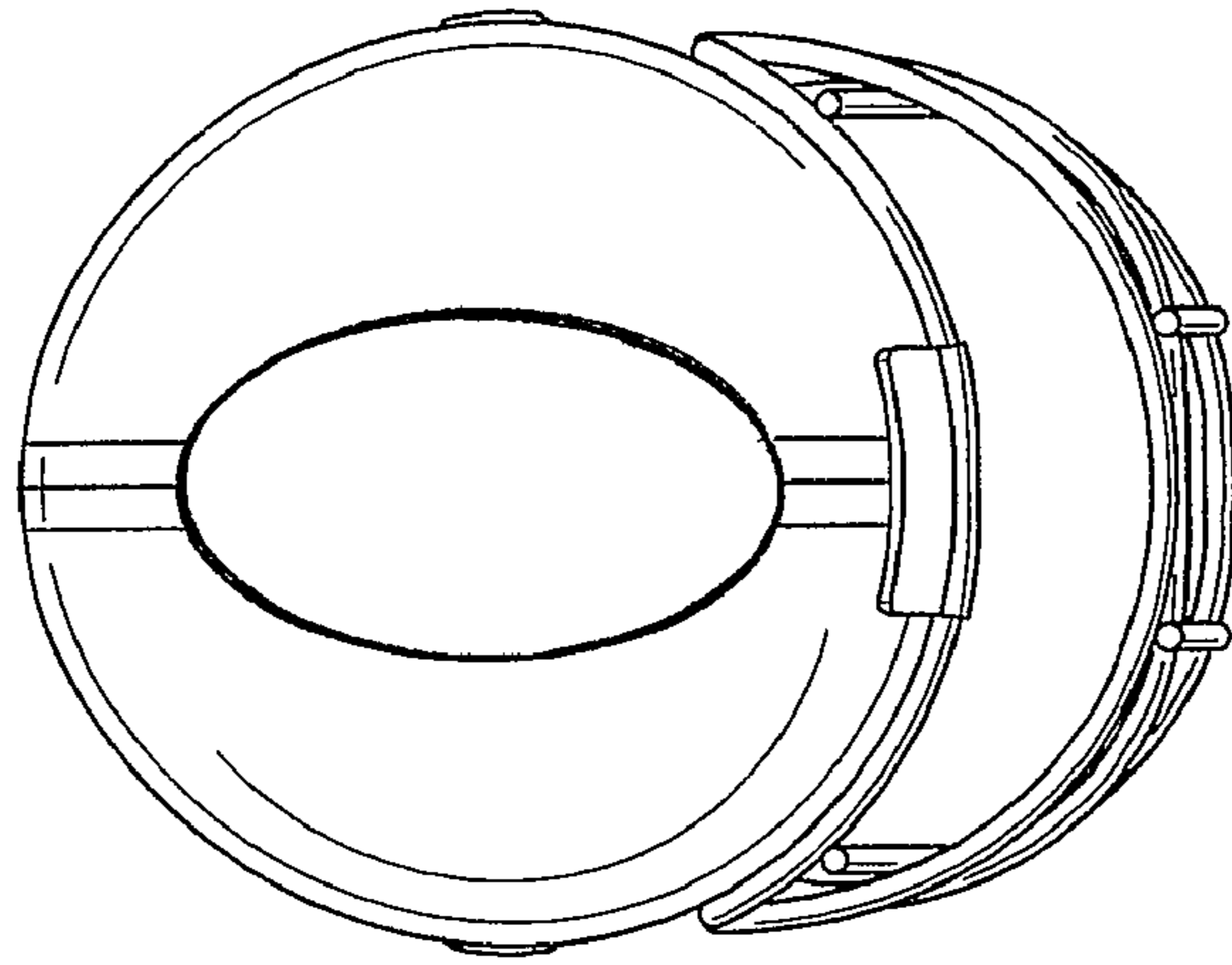


FIG. 5

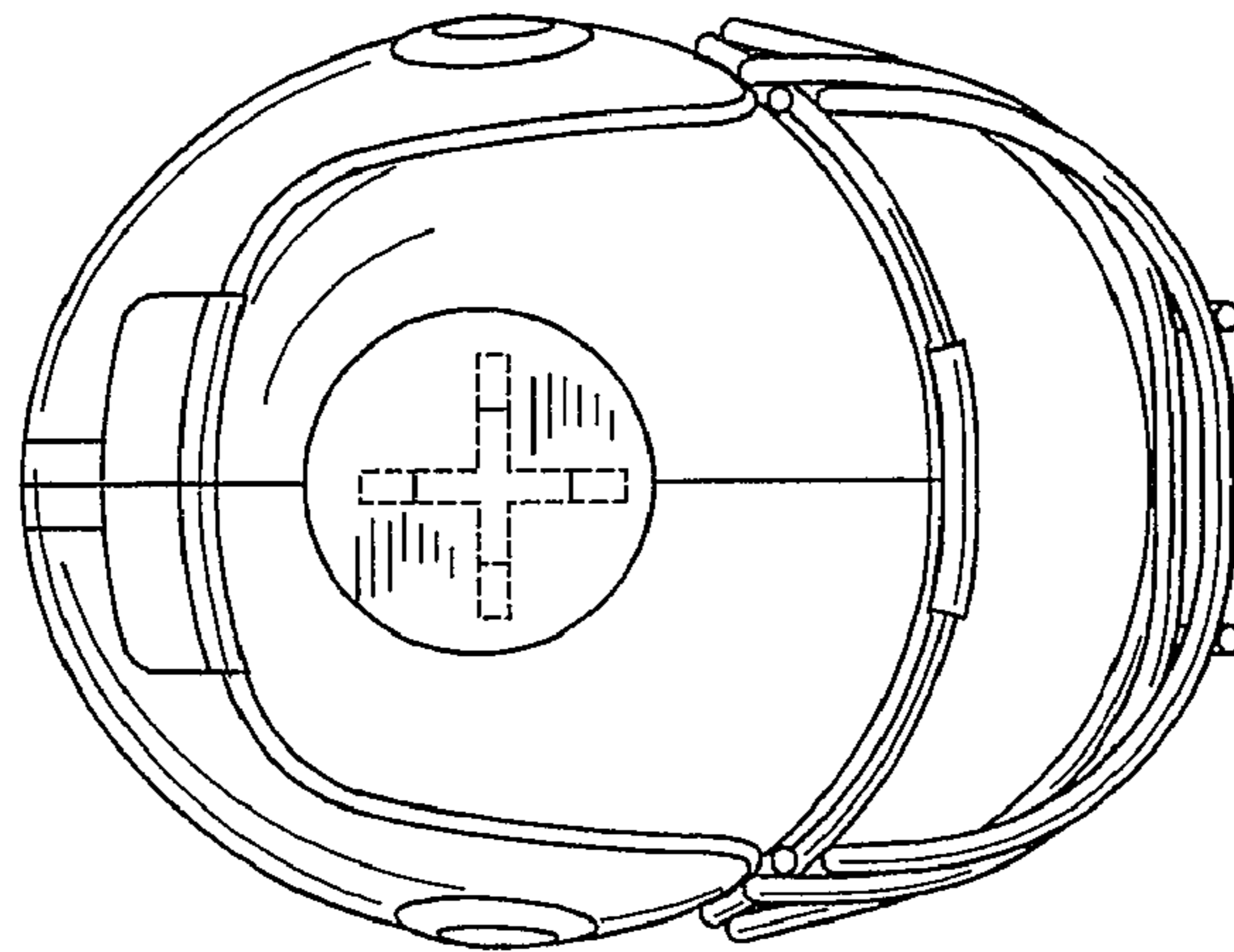


FIG. 6