



US00D700728S

(12) **United States Design Patent**
Fukasawa et al.

(10) **Patent No.:** **US D700,728 S**
(45) **Date of Patent:** **** Mar. 4, 2014**

(54) **TRACK-LIGHTING FIXTURE**

362/368, 370, 382, 404, 418, 425, 427, 432,
362/457, 804, 549.04, 648

(71) Applicants: **Naoto Fukasawa**, Tokyo (JP); **Rolf Lechtenberg**, Dortmund (DE); **Henk Kosche**, Luedenscheid (DE); **Alois Dworschak**, Luedenscheid (DE)

See application file for complete search history.

(72) Inventors: **Naoto Fukasawa**, Tokyo (JP); **Rolf Lechtenberg**, Dortmund (DE); **Henk Kosche**, Luedenscheid (DE); **Alois Dworschak**, Luedenscheid (DE)

(56) **References Cited**

U.S. PATENT DOCUMENTS

D291,925 S *	9/1987	Dacanay	D26/61
D538,959 S *	3/2007	Kosche	D26/63
D552,779 S *	10/2007	Starck	D26/63
D630,360 S *	1/2011	Rashidi	D26/63
D671,252 S *	11/2012	You	D26/63

(73) Assignee: **ERCO GmbH**, Luedenscheid (DE)

* cited by examiner

(**) Term: **14 Years**

Primary Examiner — Brian N Vinson

(21) Appl. No.: **29/461,973**

(74) *Attorney, Agent, or Firm* — Andrew Wilford

(22) Filed: **Jul. 30, 2013**

(57) **CLAIM**

The ornamental design for a track-lighting fixture, as shown and described.

Related U.S. Application Data

(62) Division of application No. 29/407,913, filed on Dec. 5, 2011.

DESCRIPTION

(30) **Foreign Application Priority Data**

Jun. 9, 2011 (EM) 001280739

(51) **LOC (10) Cl.** **26-03**

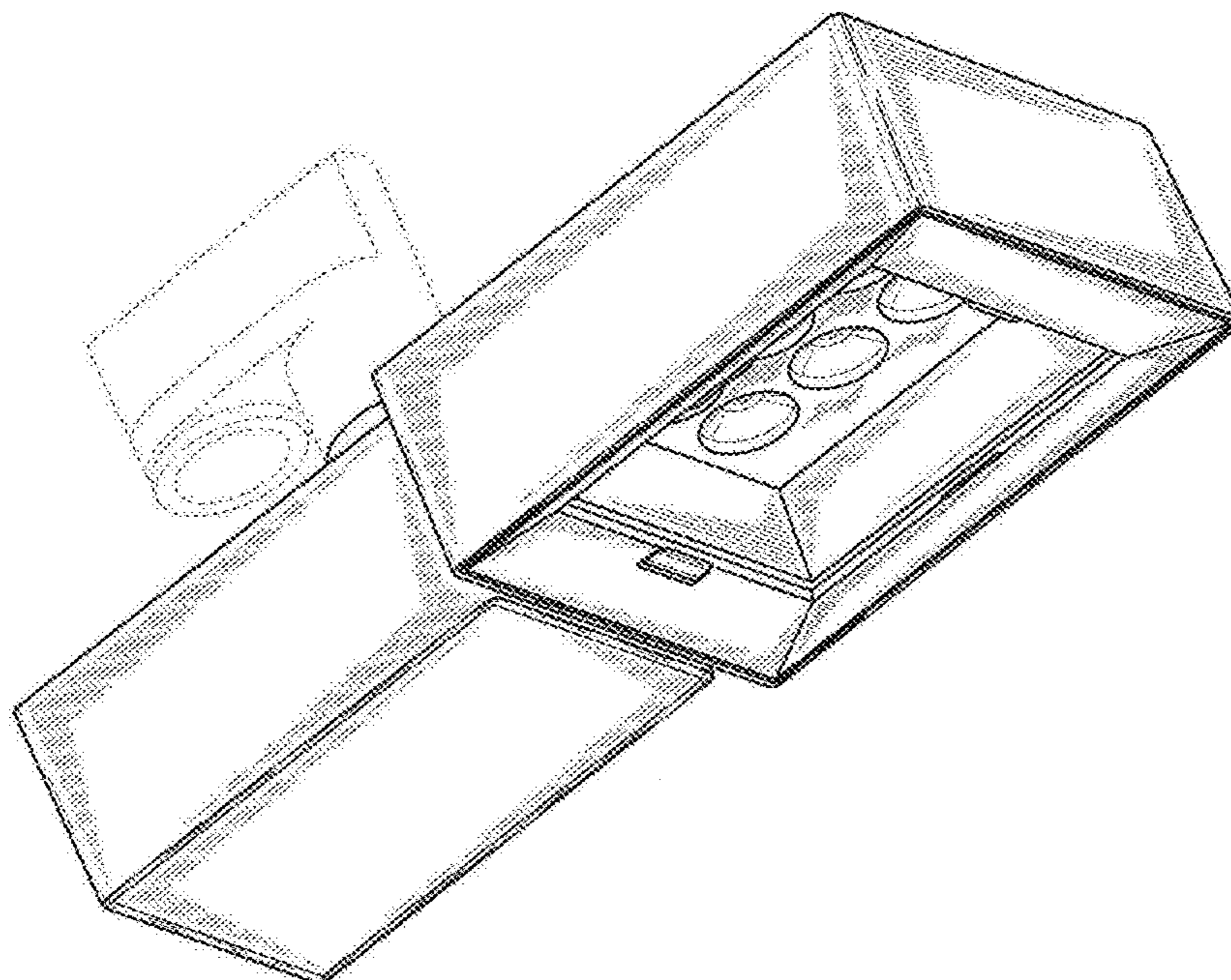
(52) **U.S. Cl.**
USPC **D26/63**

(58) **Field of Classification Search**
USPC D26/24, 60–66, 72, 85, 92, 113,
D26/118–119; 362/89, 217.01, 217.02,
362/217.1, 217.14, 217.16, 220, 257,
362/268–69, 275, 277, 282, 285, 310, 362,

FIG. 1 is a bottom perspective view of a track-lighting fixture showing our new design;
FIG. 2 is a bottom plan view thereof;
FIG. 3 as a top plan view thereof;
FIG. 4 as a right-side elevational view thereof;
FIG. 5 as a left-side elevational view thereof;
FIG. 6 as a front elevational view thereof; and,
FIG. 7 as a rear elevational view thereof.

The broken-line disclosure in the views is understood to represent portions of the article which form no part of the claimed design.

1 Claim, 6 Drawing Sheets



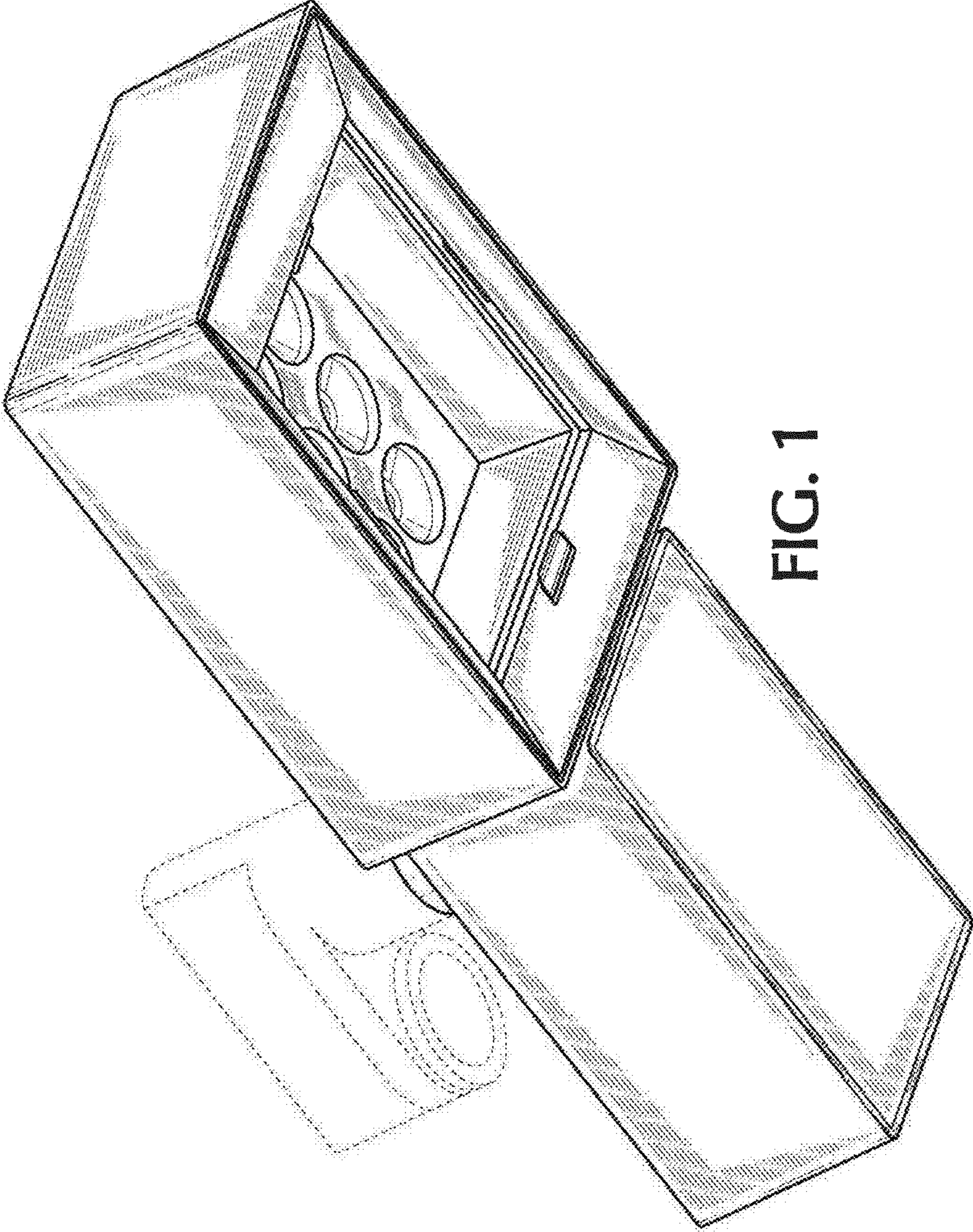


FIG. 1

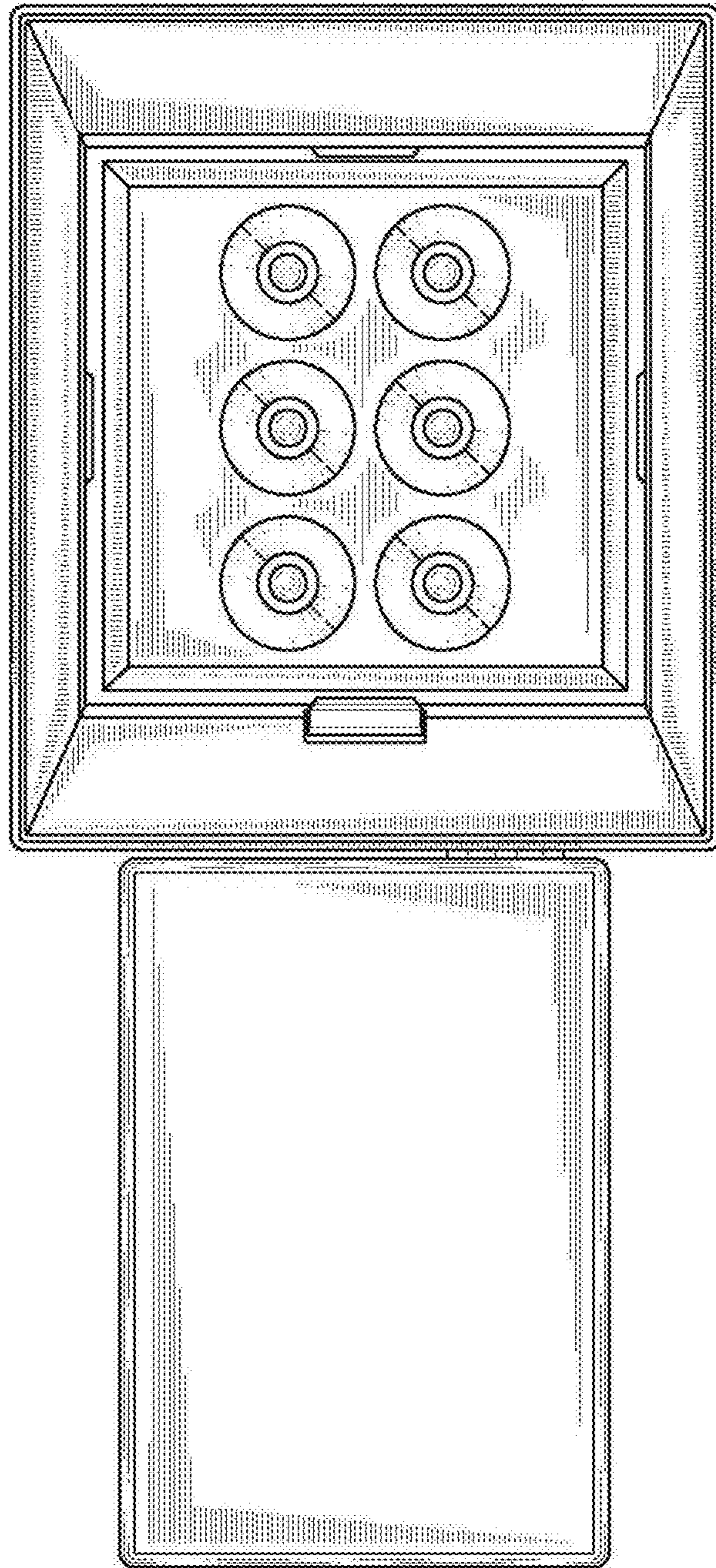


FIG. 2

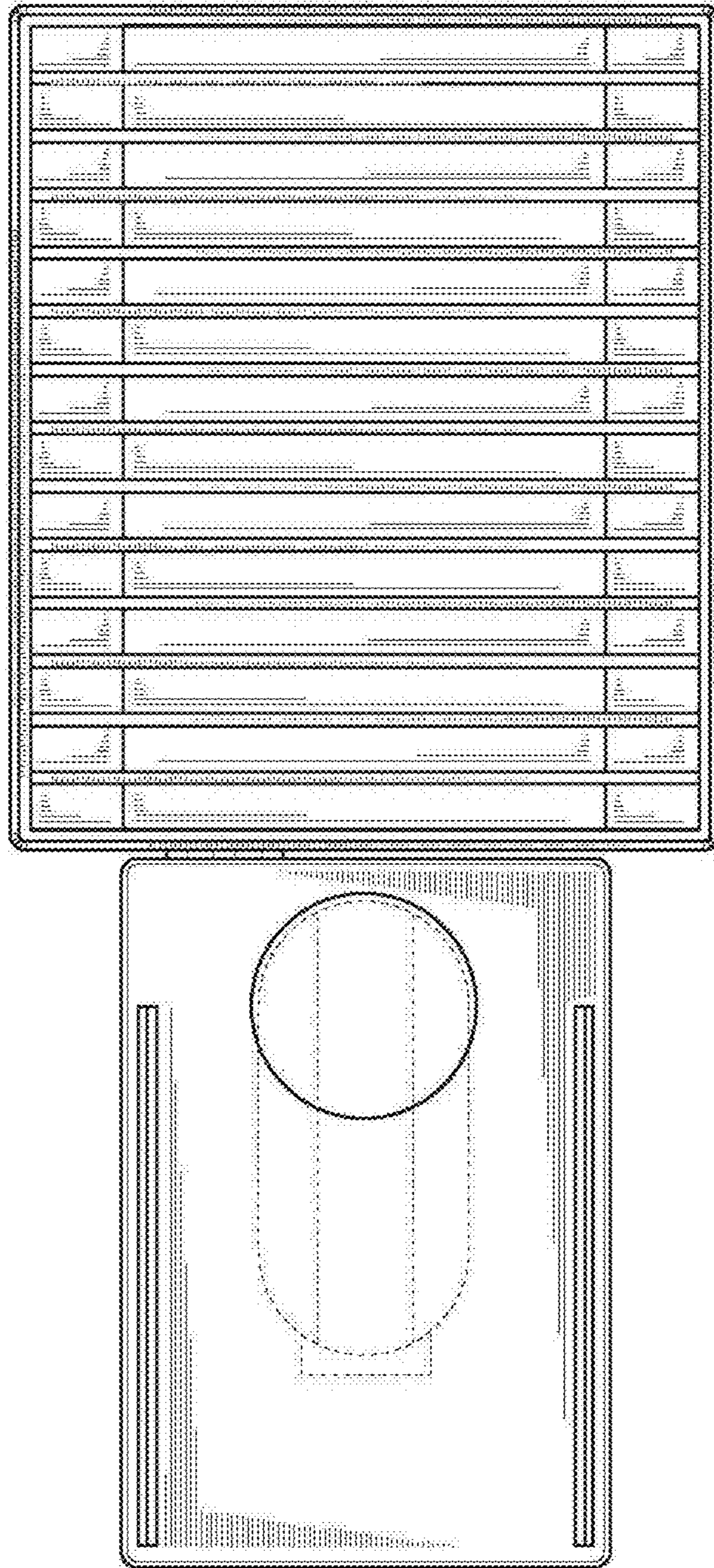


FIG. 3

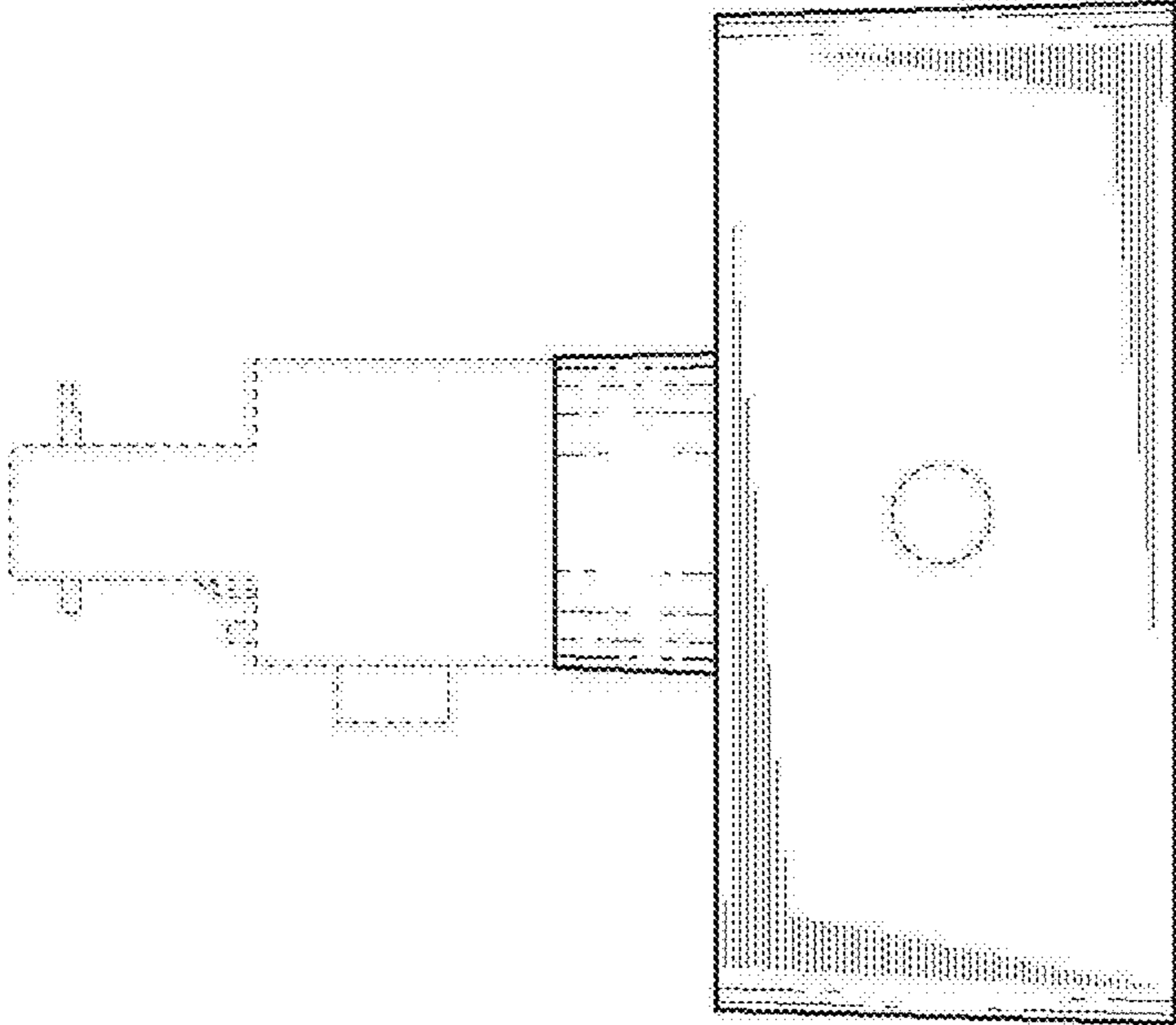


FIG. 4

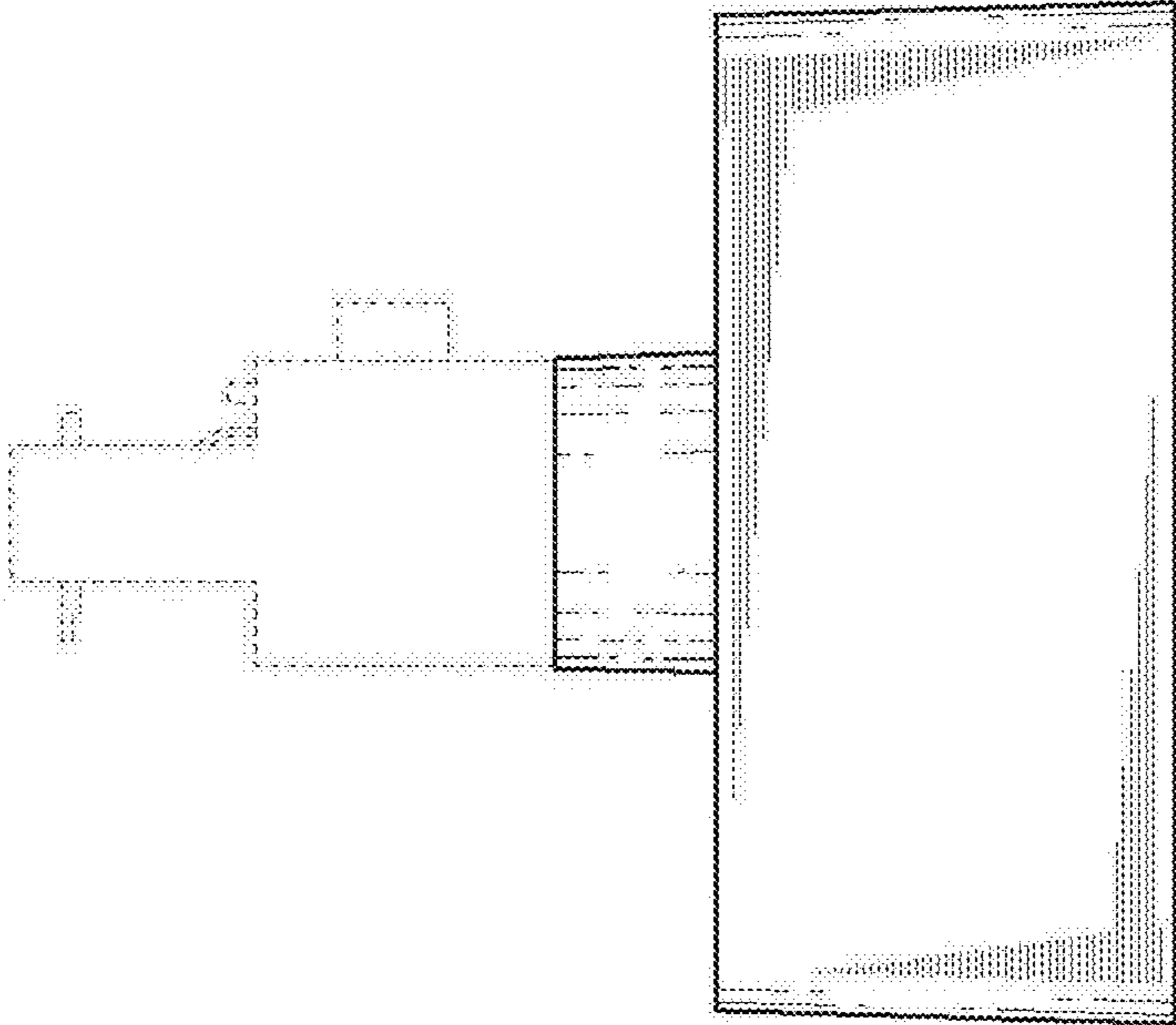


FIG. 5

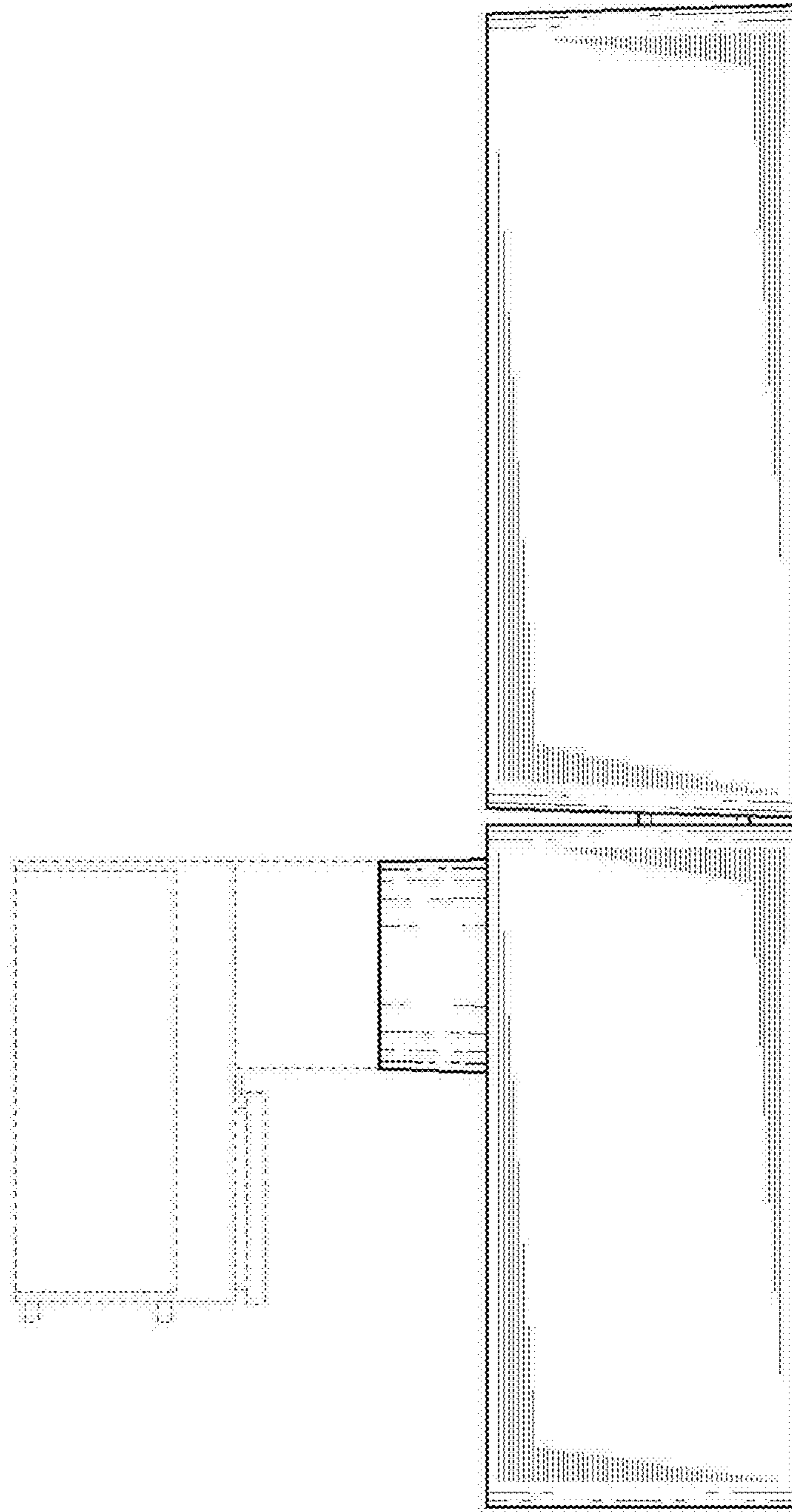


FIG. 6

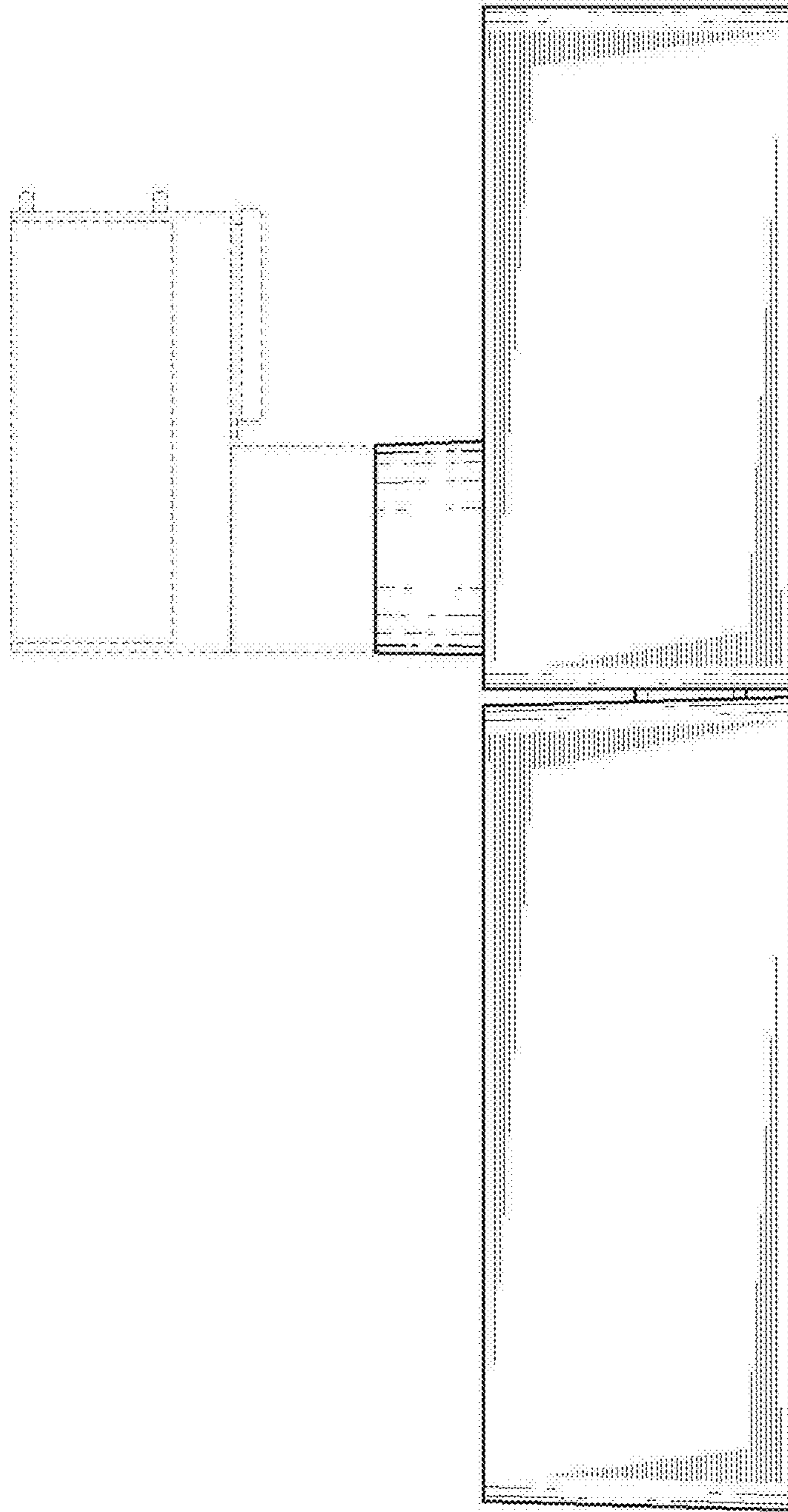


FIG. 7