



US00D700726S

(12) **United States Design Patent**  
**Kim et al.**

(10) **Patent No.:** **US D700,726 S**  
(45) **Date of Patent:** **\*\* Mar. 4, 2014**

(54) **LIGHT EMITTING DIODE (LED) LIGHTING**

(75) Inventors: **Hayoung Kim**, Gyeonggi-do (KR);  
**Yongduk Cha**, Gyeonggi-do (KR);  
**Hosik Jang**, Seoul (KR)

(73) Assignee: **LG Electronics Inc.**, Seoul (KR)

(\*\*) Term: **14 Years**

(21) Appl. No.: **29/423,386**

(22) Filed: **May 31, 2012**

(30) **Foreign Application Priority Data**

Dec. 1, 2011 (KR) ..... 30-2011-0051025

(51) **LOC (10) Cl.** ..... **26-03**

(52) **U.S. Cl.**

USPC ..... **D26/63**

(58) **Field of Classification Search**

USPC ..... D26/1, 24, 60–66, 72, 85, 92, 113,  
D26/118–119; 362/89, 217.01, 220, 217.02,  
362/217.1, 217.14, 217.16, 257, 268–269,  
362/275, 277, 282, 285, 310, 362, 368, 370,  
362/382, 404, 418, 425, 427, 432, 433, 457,  
362/804

See application file for complete search history.

(56) **References Cited**

U.S. PATENT DOCUMENTS

D573,286 S *	7/2008	Zettl .....	D26/63
D597,693 S *	8/2009	Kauffman et al. ....	D26/63
D606,691 S *	12/2009	Lindholm .....	D26/63
D625,870 S *	10/2010	Feigenbaum .....	D26/63
D641,905 S *	7/2011	Janssen .....	D26/63
D645,594 S *	9/2011	Grawe .....	D26/63
D650,505 S *	12/2011	Oka .....	D26/63
D666,346 S *	8/2012	Gebhard et al. ....	D26/63
D674,949 S *	1/2013	Georgitsis et al. ....	D26/63

\* cited by examiner

*Primary Examiner* — Brian N Vinson

(74) *Attorney, Agent, or Firm* — Morgan, Lewis & Bockius LLP

(57) **CLAIM**

The ornamental design for a light emitting diode (LED) lighting, as shown and described.

**DESCRIPTION**

FIG. 1 is a perspective view of a light emitting diode (LED) lighting showing our new design;  
FIG. 2 is a front view thereof;  
FIG. 3 is a rear view thereof;  
FIG. 4 is a left side view thereof;  
FIG. 5 is a right side view thereof;  
FIG. 6 is a top plan view thereof;  
FIG. 7 is a bottom plan view thereof; and,  
FIG. 8 is a rear perspective view thereof.

**1 Claim, 7 Drawing Sheets**

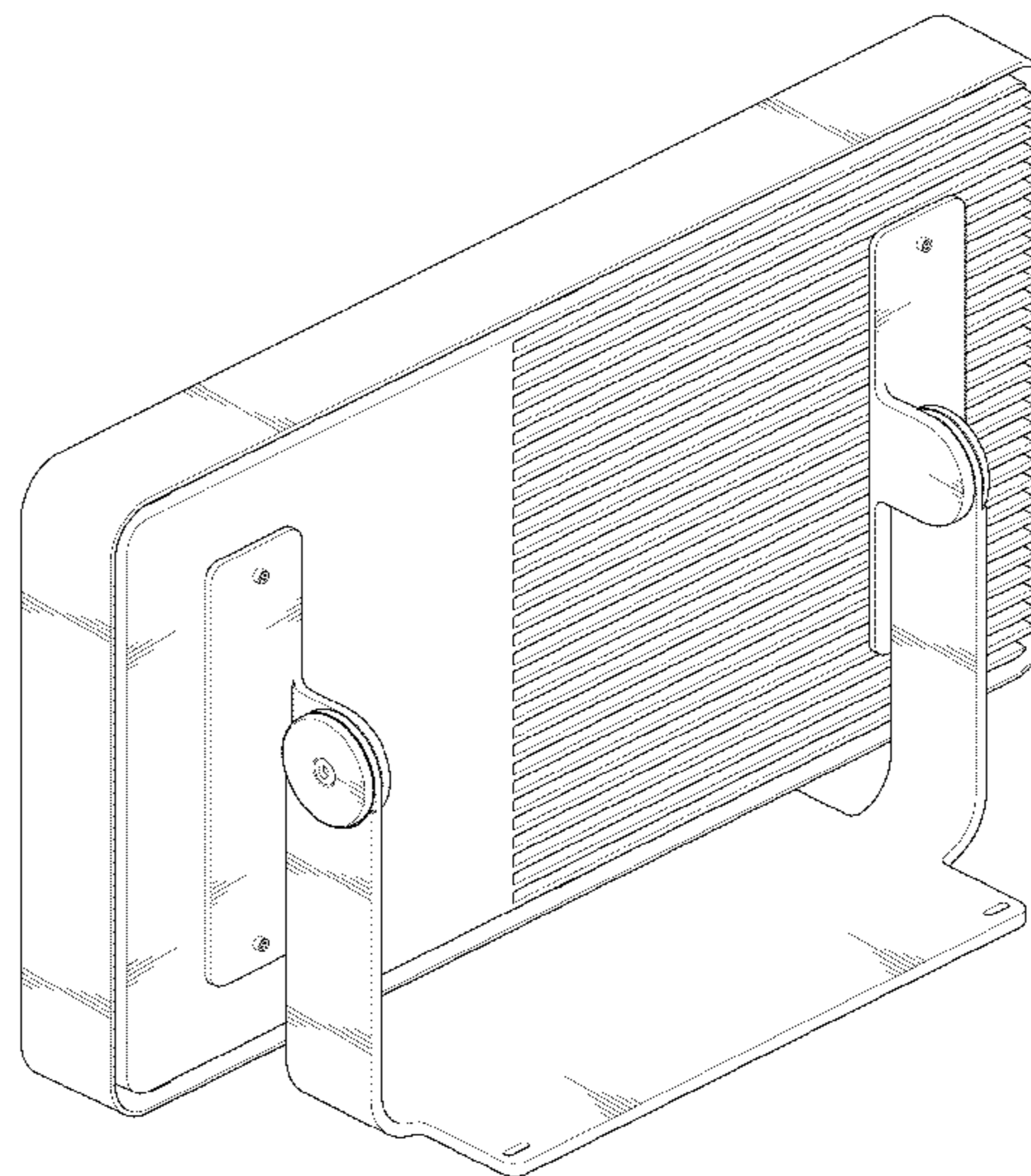
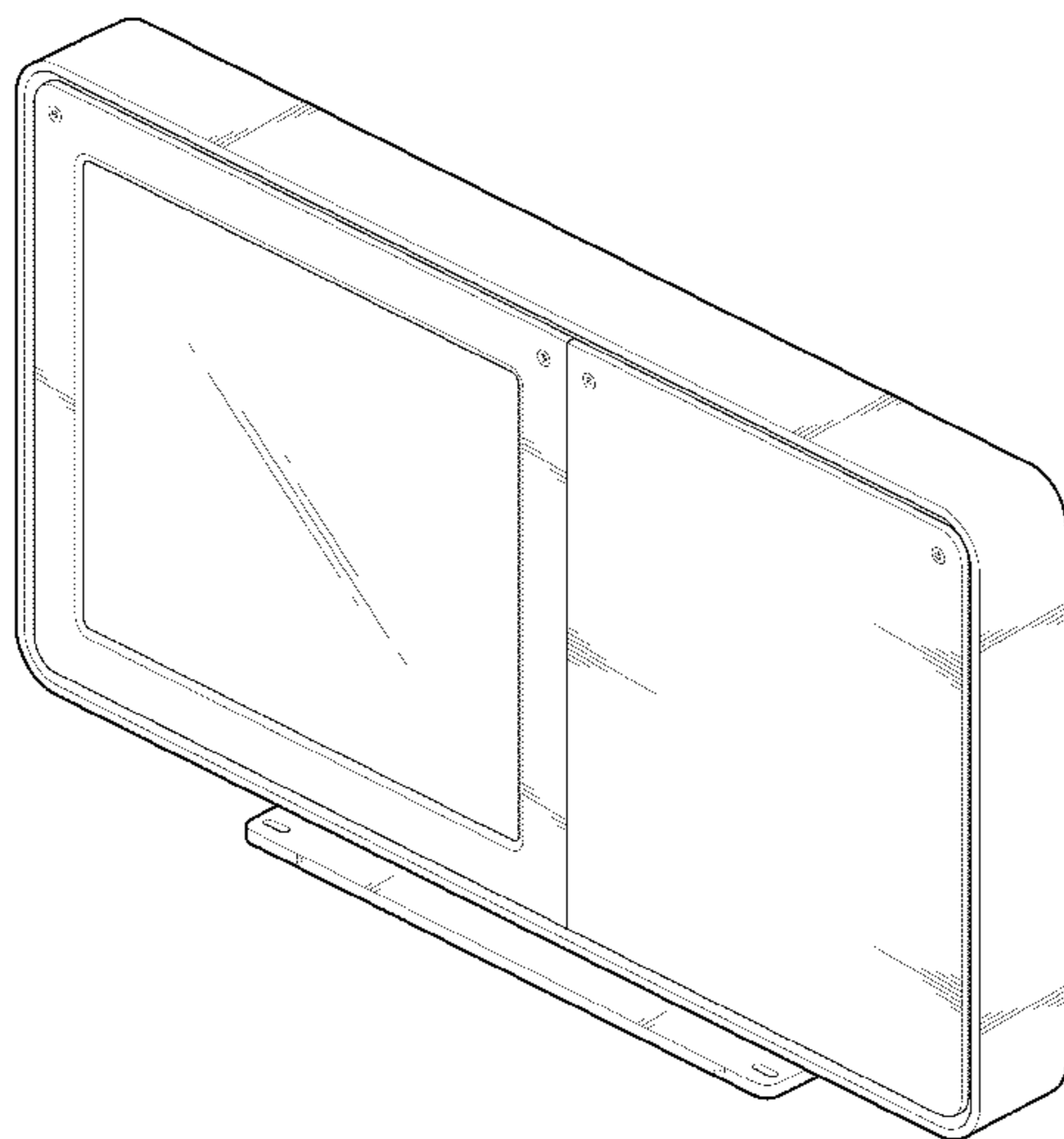


FIG. 1

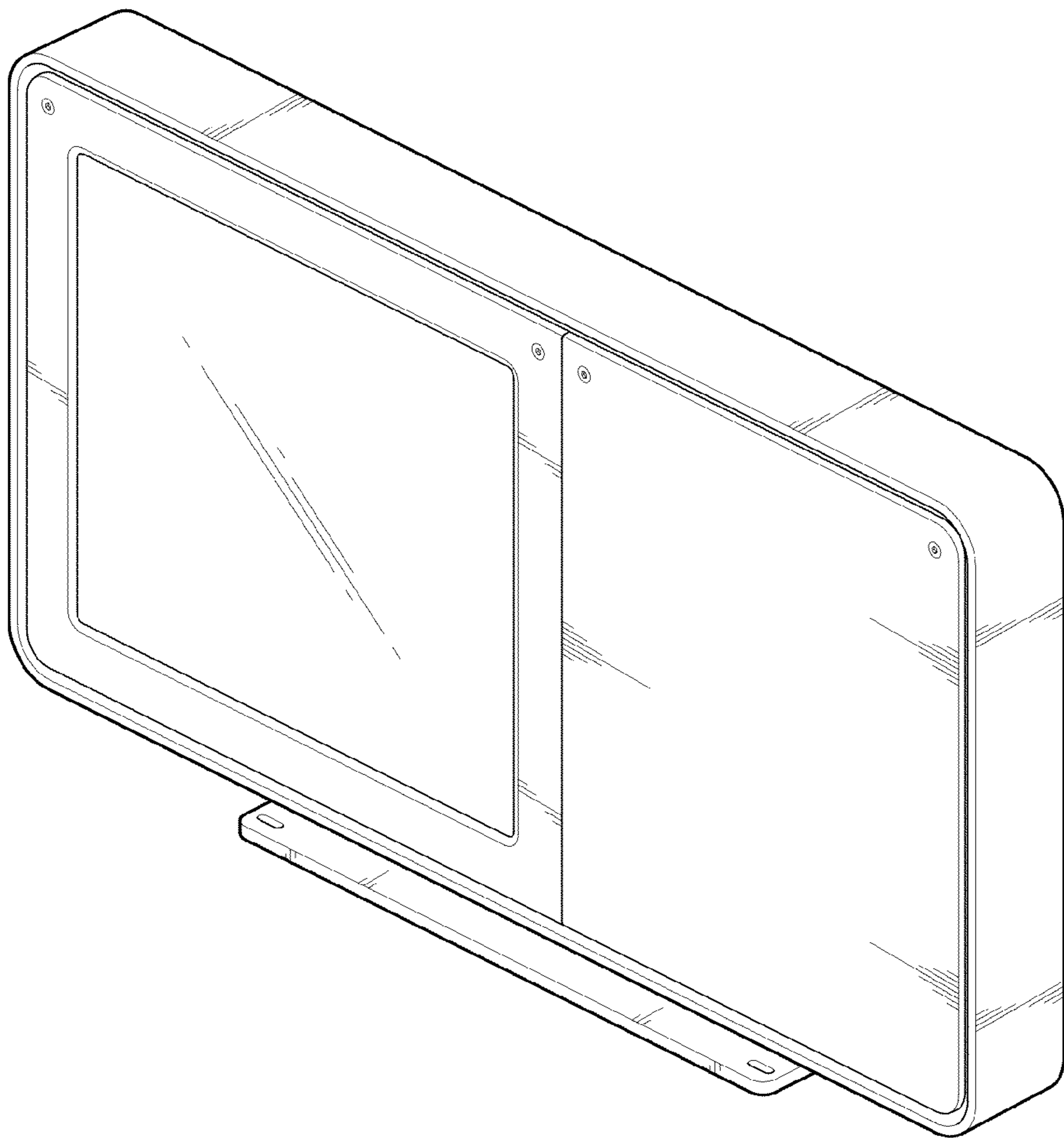


FIG. 2

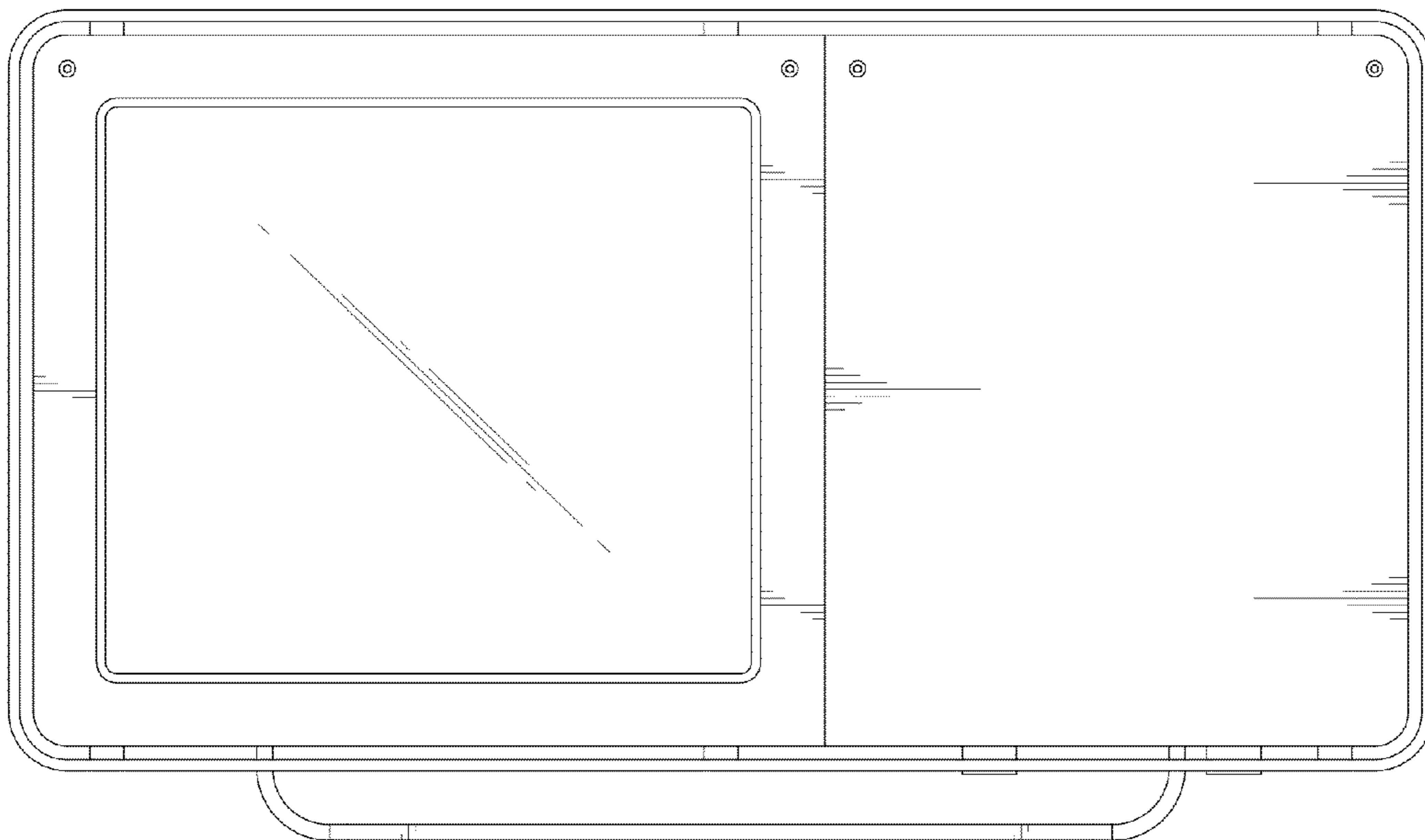


FIG. 3



FIG. 4

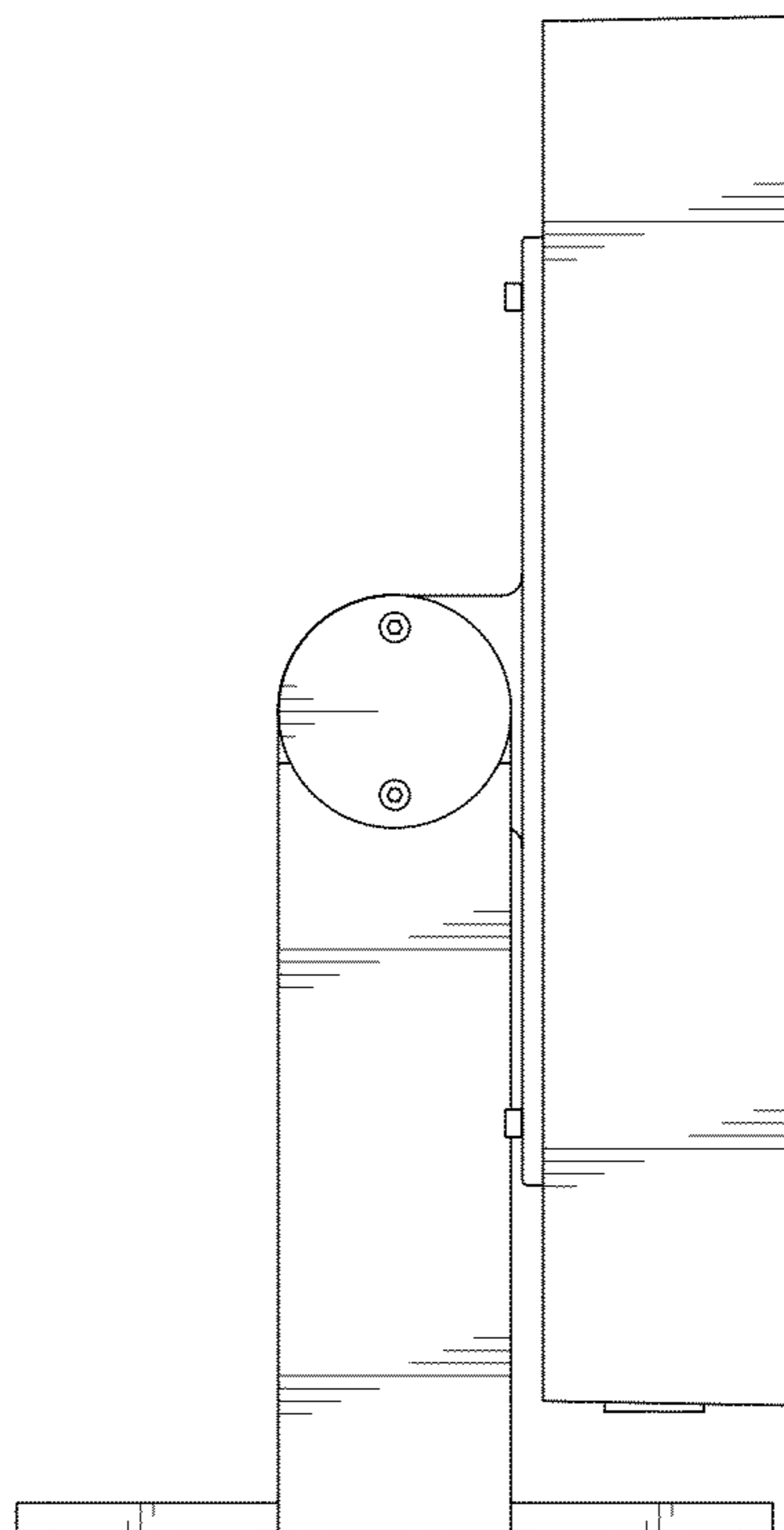


FIG. 5

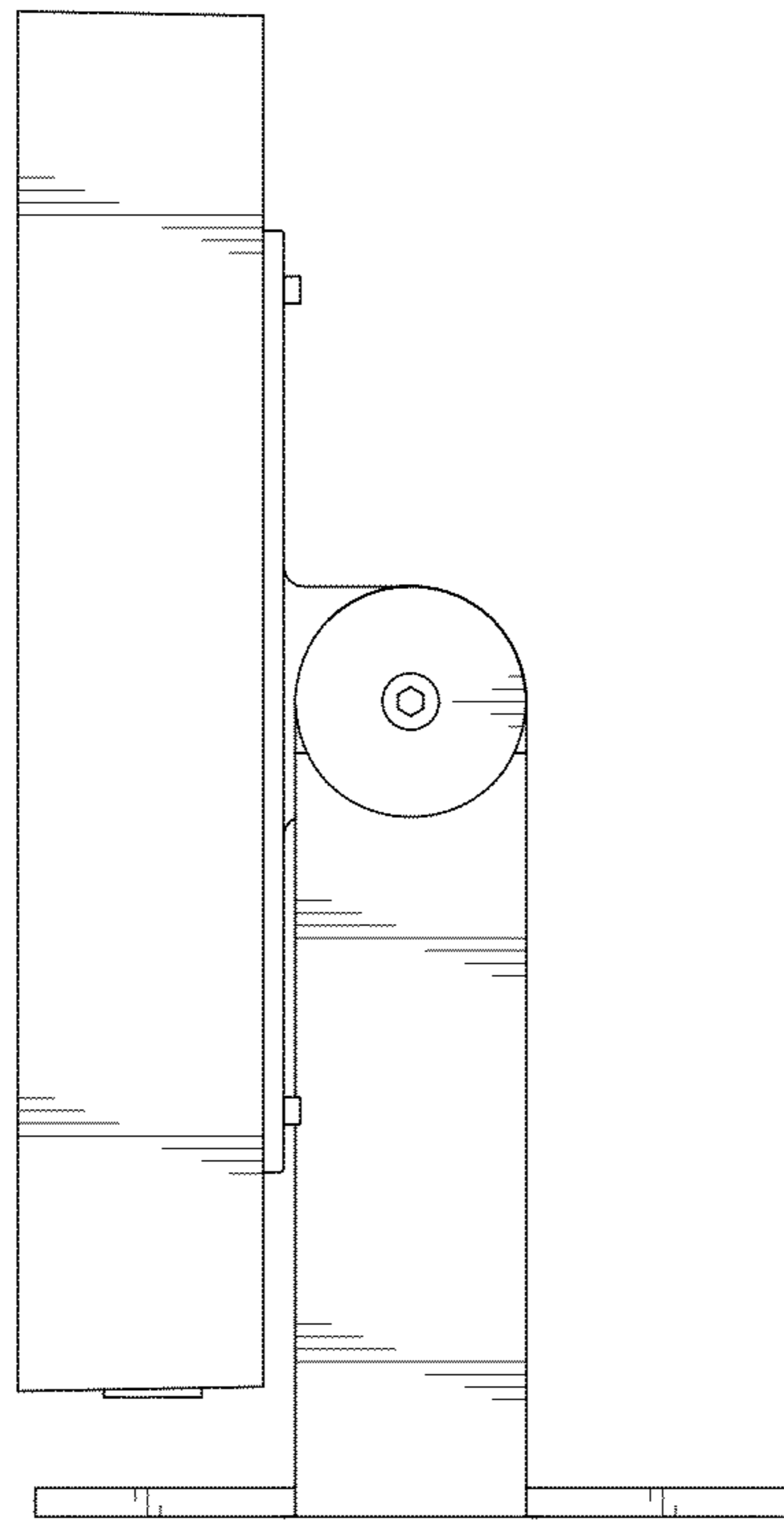


FIG. 6

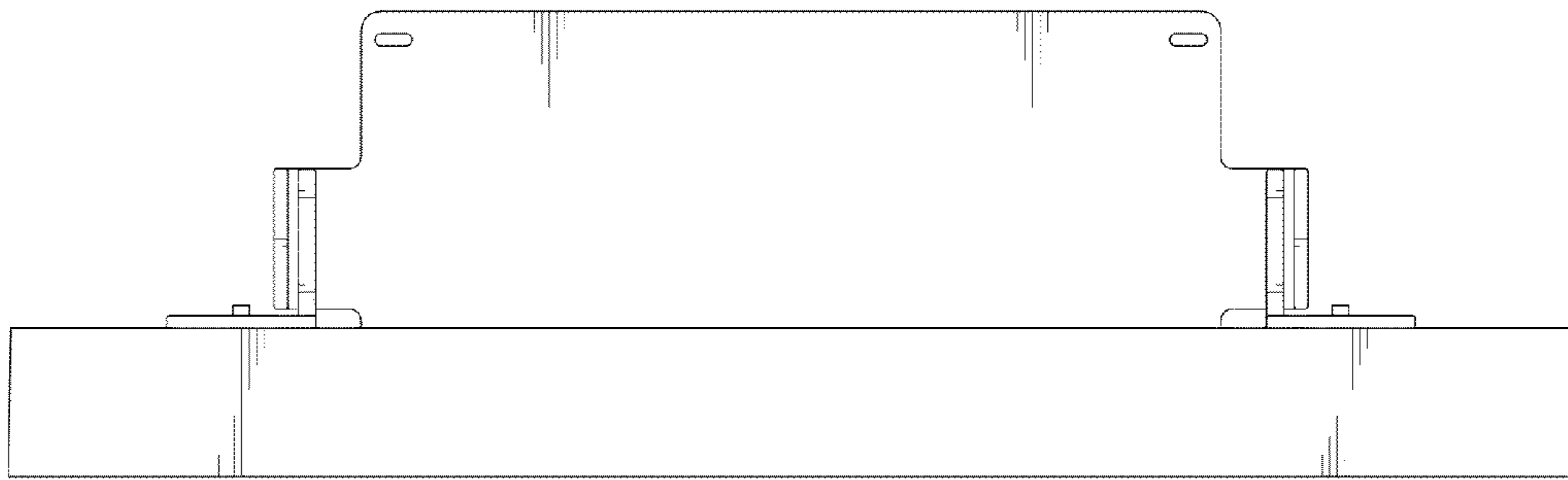


FIG. 7

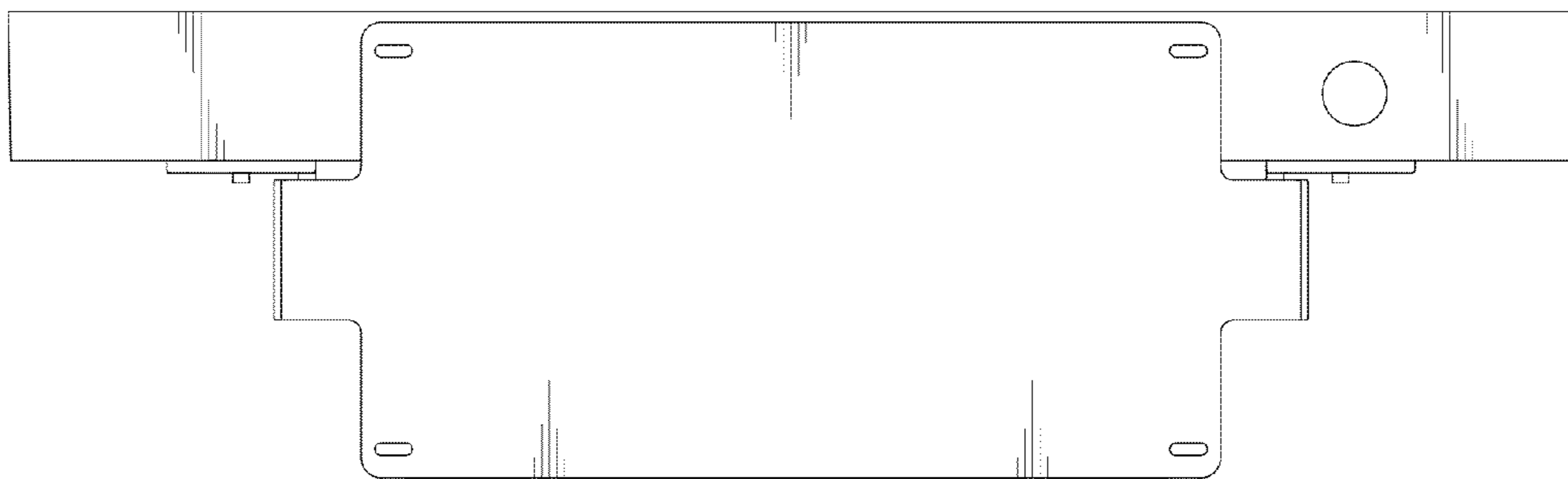




FIG. 8

