



US00D700723S

(12) **United States Design Patent**
Romeu et al.

(10) **Patent No.:** **US D700,723 S**
(45) **Date of Patent:** **** Mar. 4, 2014**

(54) **LUMINAIRE**

(71) Applicant: **Lighting Science Group Corporation**,
Satellite Beach, FL (US)

(72) Inventors: **Ricardo Romeu**, Melbourne, FL (US);
Mark Penley Boomgaarden, Satellite
Beach, FL (US); **Fred Kopitzke**,
Satellite Beach, FL (US); **David**
Henderson, Indialantic, FL (US); **Shane**
Sullivan, Indialantic, FL (US); **Wei Sun**,
Indialantic, FL (US); **Addy Widjaja**,
Palm Bay, FL (US)

(73) Assignee: **Lighting Science Group Corporation**,
Satellite Beach, FL (US)

(**) Term: **14 Years**

(21) Appl. No.: **29/464,086**

(22) Filed: **Aug. 13, 2013**

Related U.S. Application Data

(62) Division of application No. 29/410,099, filed on Jan. 4,
2012, now Pat. No. Des. 694,435.

(51) **LOC (10) Cl.** **26-04**

(52) **U.S. Cl.**
USPC **D26/2**

(58) **Field of Classification Search**
USPC D26/1-4; 313/313, 315, 316, 317, 318,
313/493; 315/52, 53, 56, 57, 58
See application file for complete search history.

(56) **References Cited**

U.S. PATENT DOCUMENTS

- D271,424 S * 11/1983 Young et al. D26/26
- D307,805 S * 5/1990 Noe D26/2
- D321,360 S * 11/1991 Cheng D16/229
- D654,192 S * 2/2012 Maxik et al. D26/2

* cited by examiner

Primary Examiner — Marcus Jackson

(74) *Attorney, Agent, or Firm* — Cantor Colburn LLP

(57) **CLAIM**

WE claim, the ornamental design for a luminaire, as shown
and described.

DESCRIPTION

FIG. 1 is a top view of an exemplary embodiment of the
invention;

FIG. 2 is a front view of the exemplary embodiment of FIG.
1, the luminaire being symmetric about a center axis;

FIG. 3 is a bottom view of the exemplary embodiment of FIG.
1;

FIG. 4 is a bottom perspective view of the exemplary embodi-
ment of FIG. 1;

FIG. 5 is a front view of a second embodiment of the inven-
tion, the luminaire being symmetric about a center axis;

FIG. 6 is a bottom view of the second embodiment of FIG. 5,
the top view being the same as FIG. 1;

FIG. 7 is a top perspective view of the second embodiment of
FIG. 5; and,

FIG. 8 is a bottom perspective view of the second embodi-
ment of FIG. 5.

The phantom lines shown in FIG. 1-FIG. 4 are environmental
and not part of the claimed design.

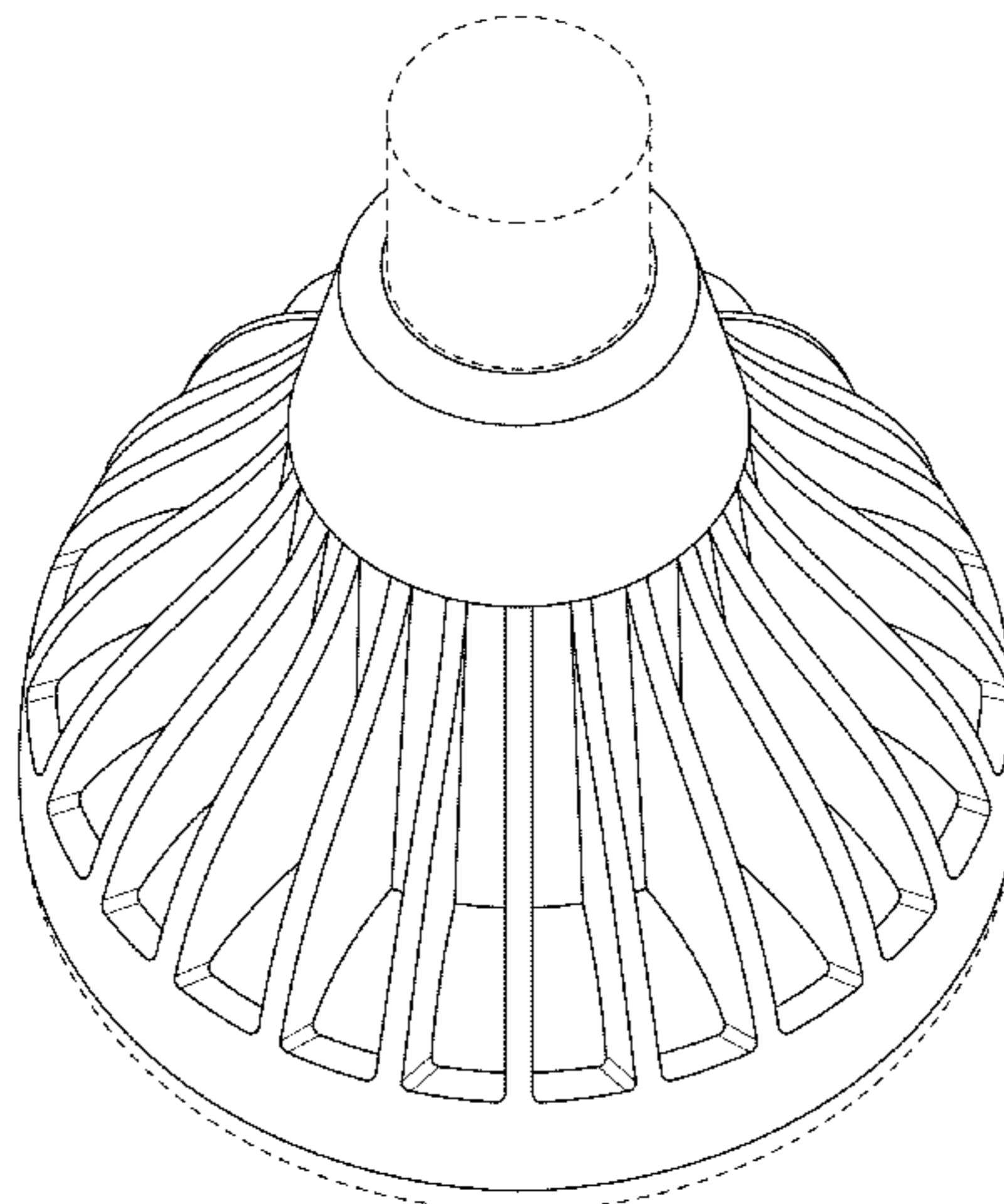
The color of the luminaire forms no part of the claimed
design; a luminaire according to the claimed design may be of
any color or combination of colors.

The shading and tones, and any variations thereof, shown in
the figures do not imply any specific colors or color contrast
scheme in the claimed design.

The surface treatment of the luminaire forms no part of the
claimed design, a luminaire according to the claimed design
may have any surface treatment.

References to “front”, “side”, “top”, and “bottom” in the
figure descriptions are not meant to require certain in-use
orientation; a luminaire according to the claimed design may
be used in any orientation.

1 Claim, 8 Drawing Sheets



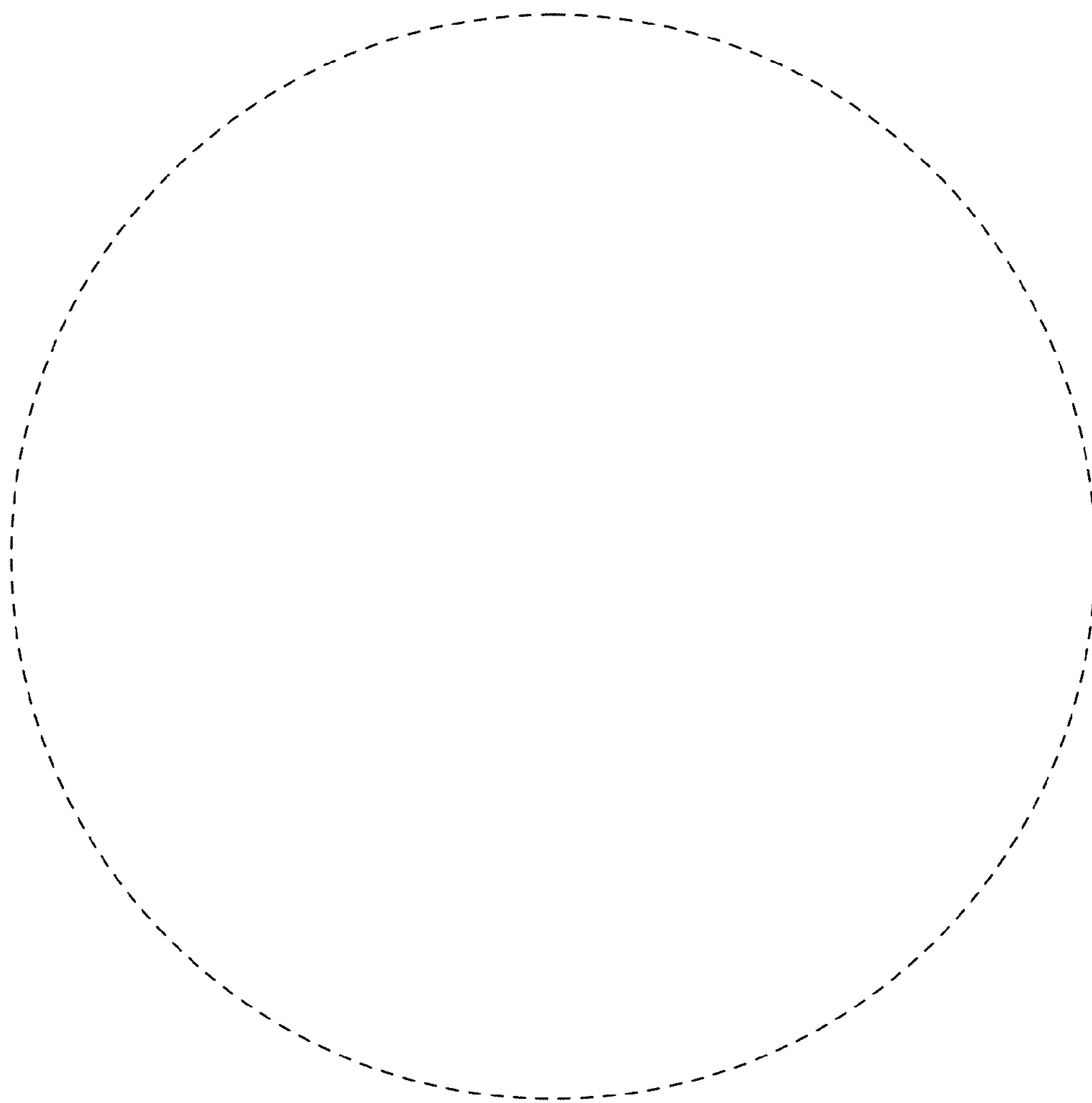


FIG. 1

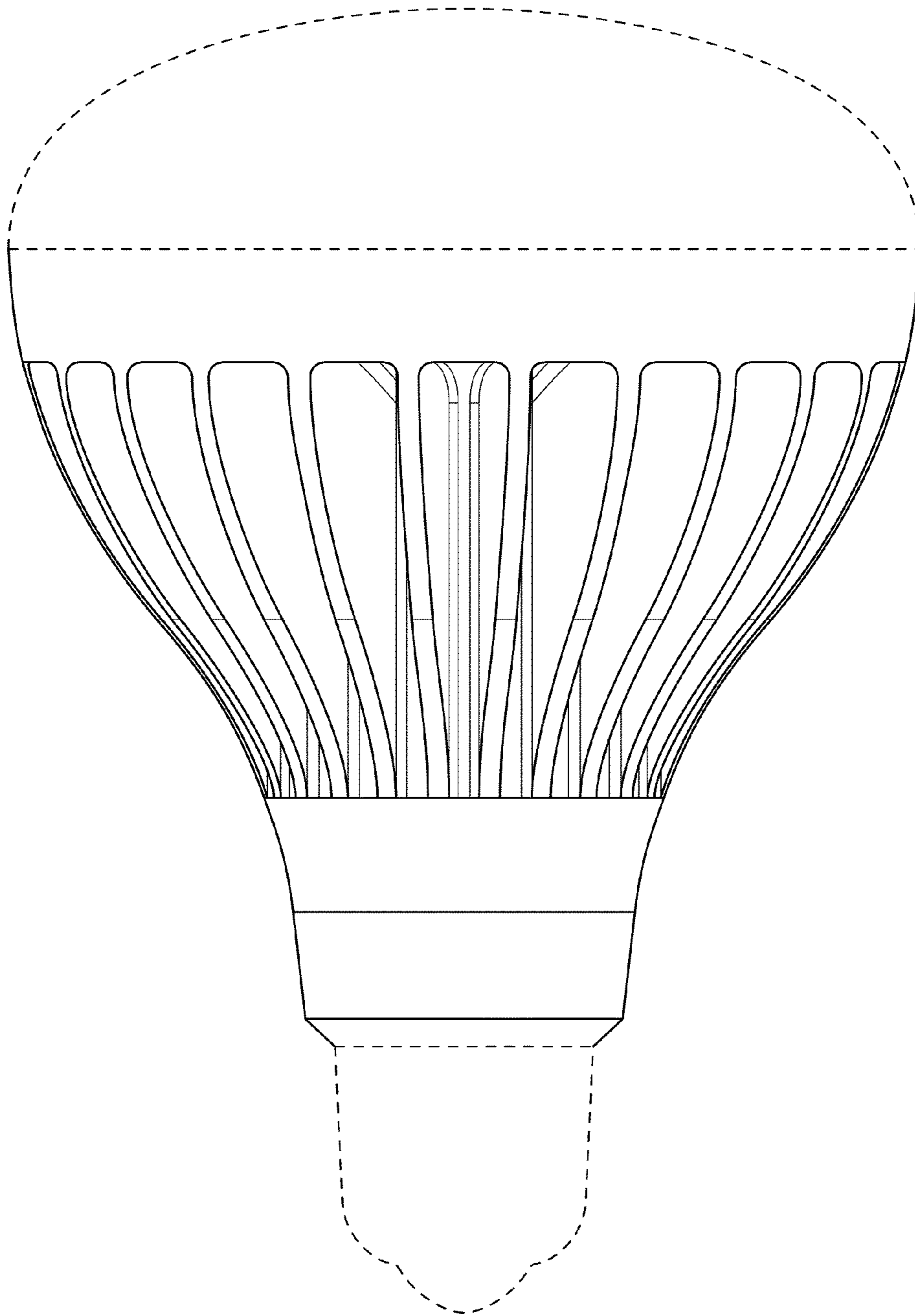


FIG. 2

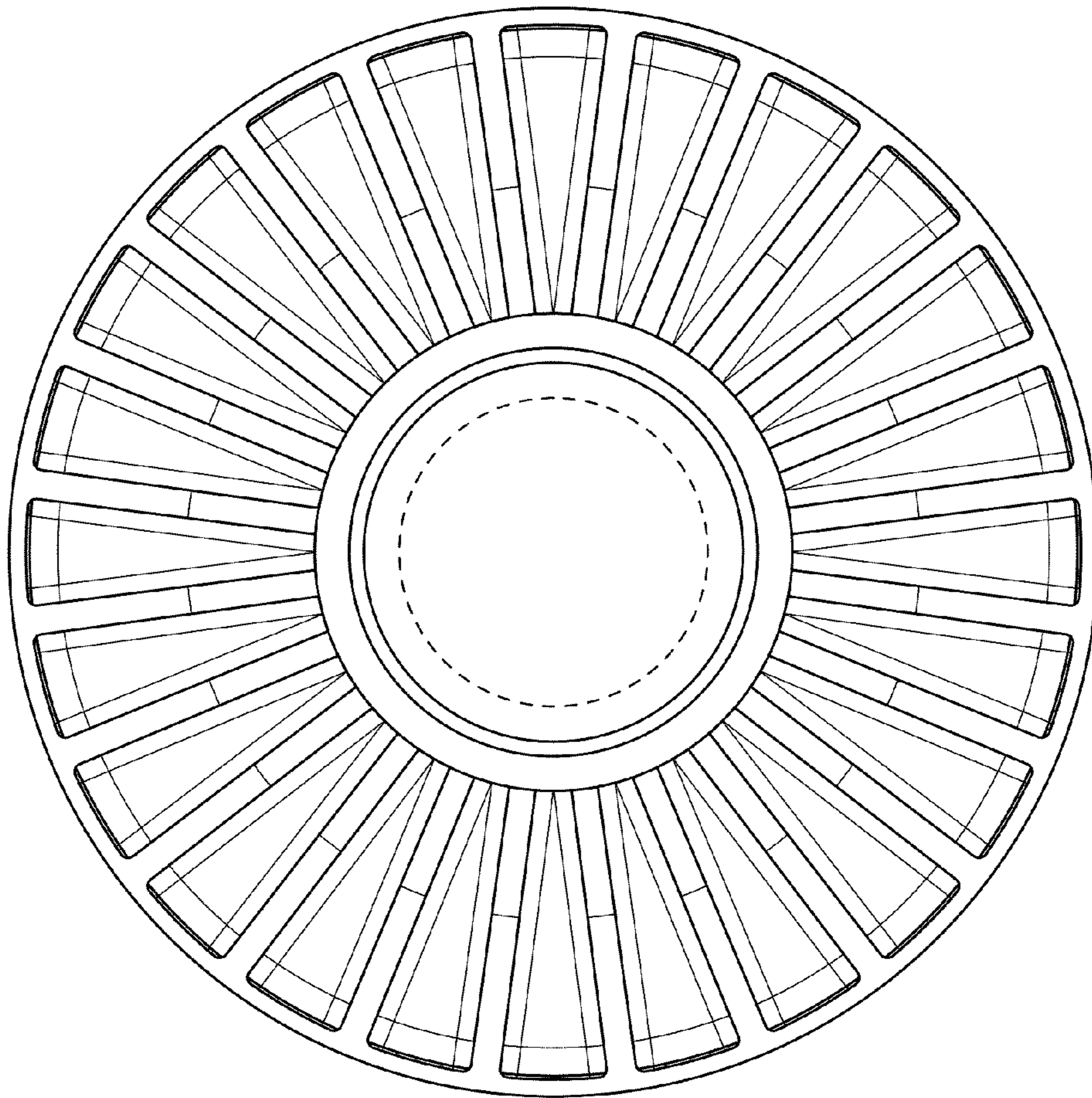


FIG. 3

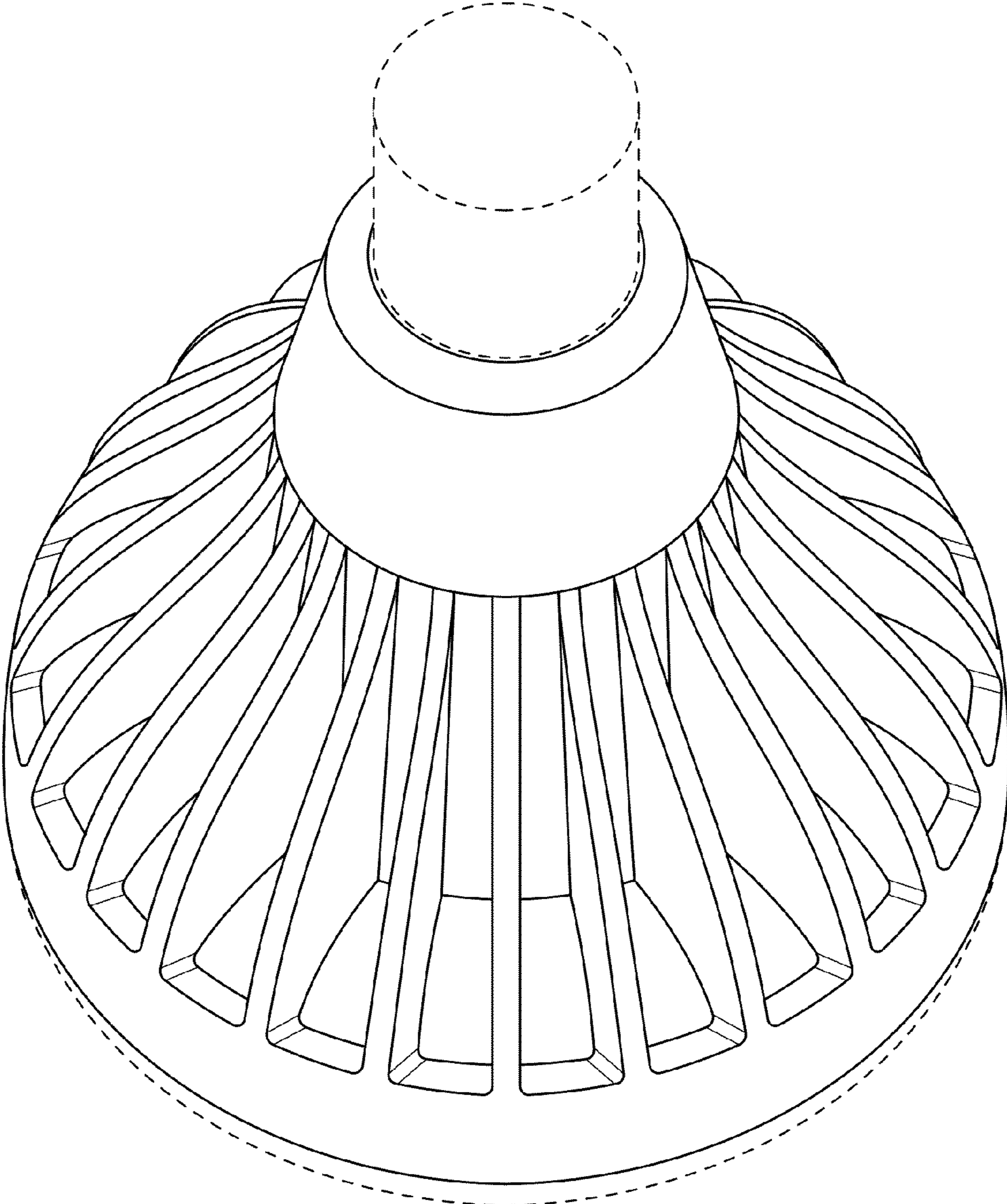


FIG. 4

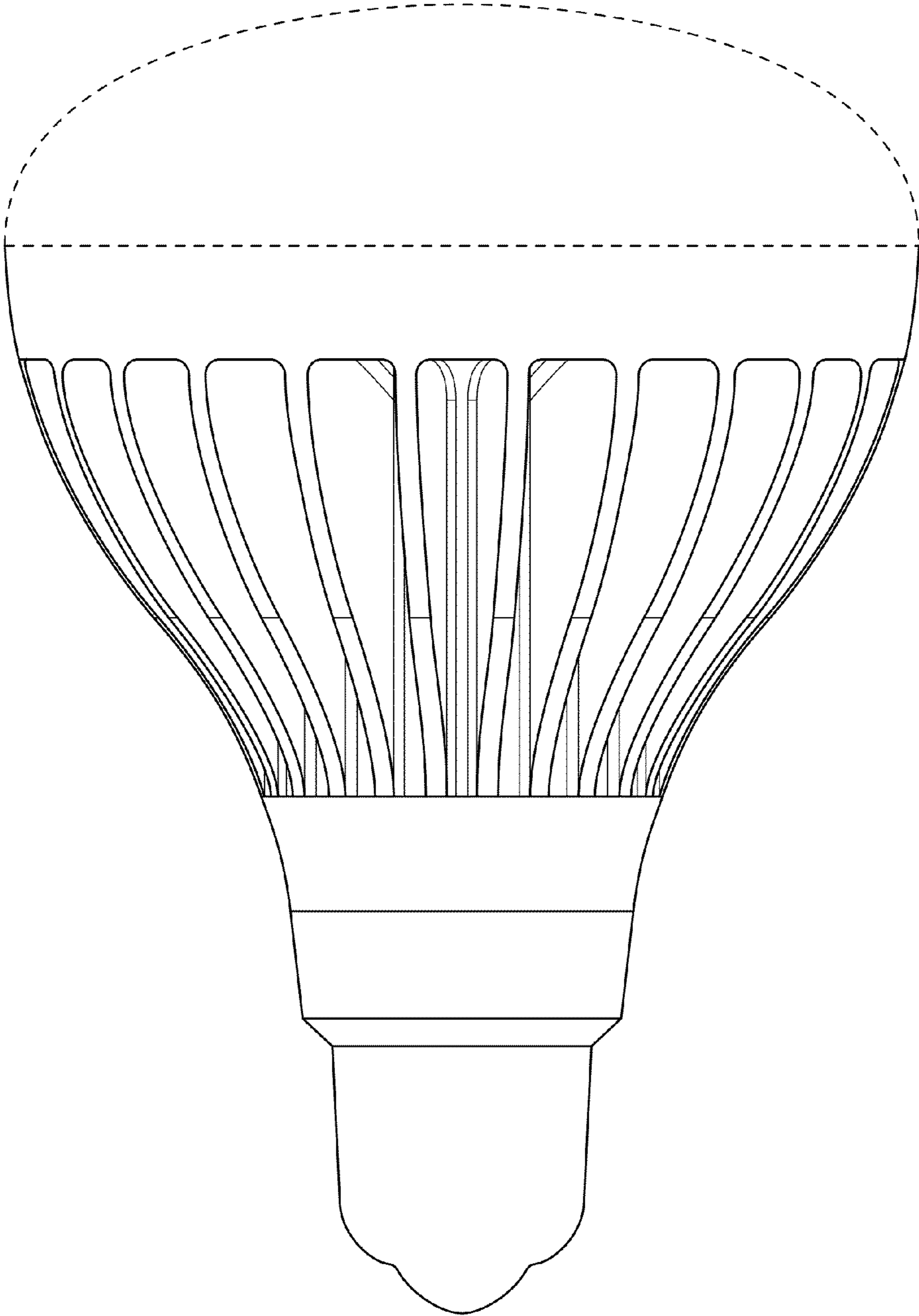


FIG. 5

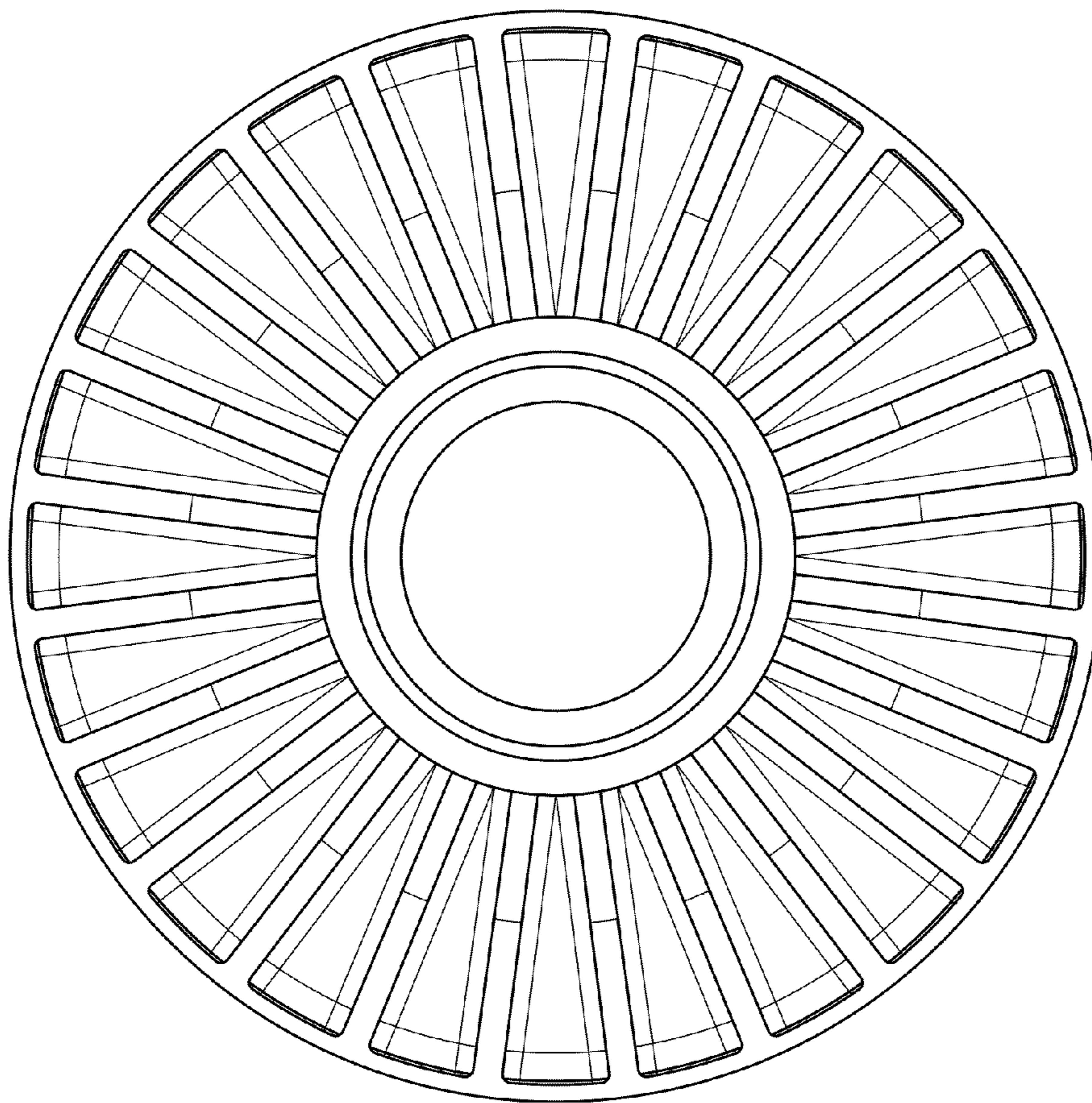


FIG. 6

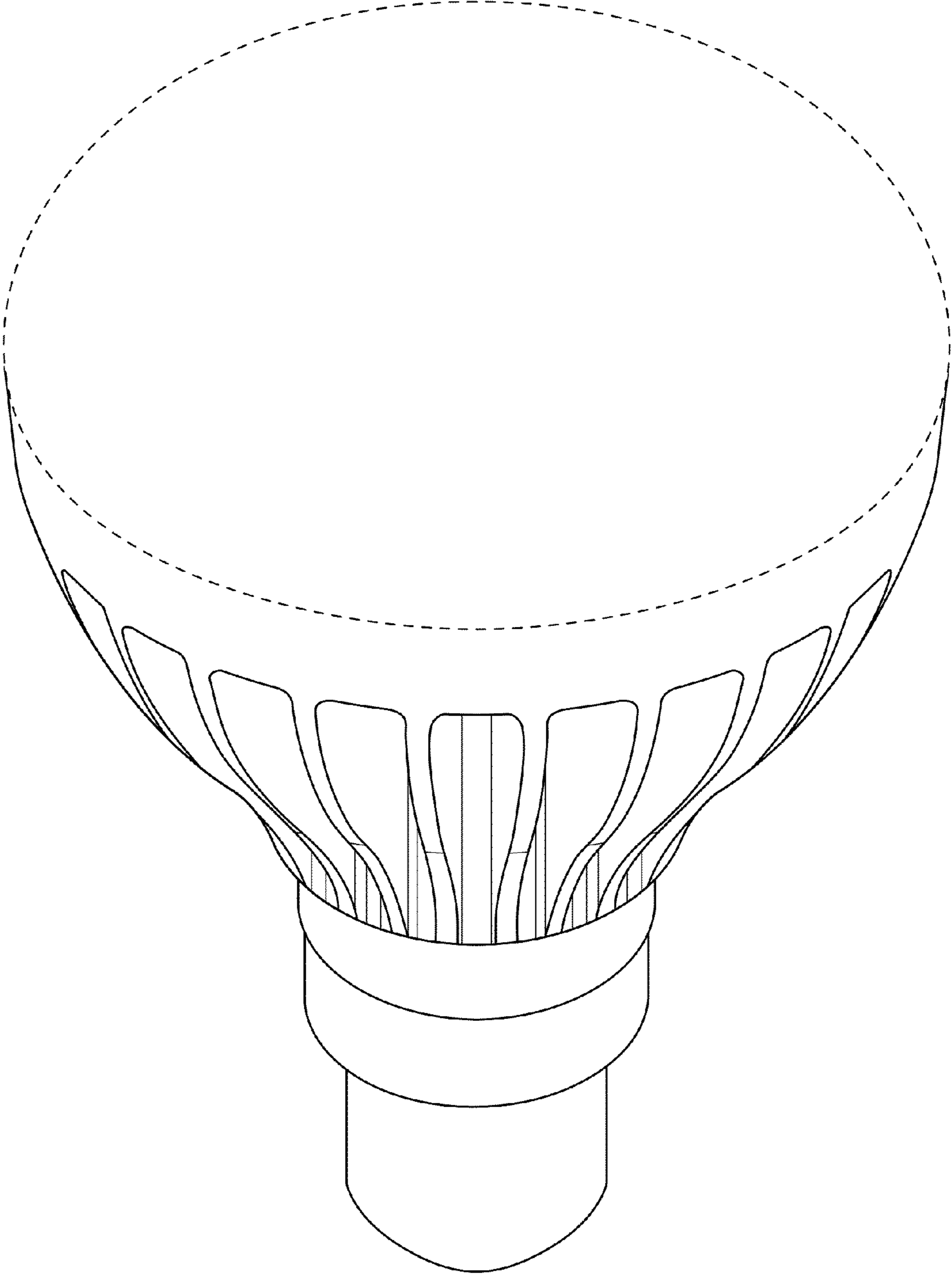


FIG. 7

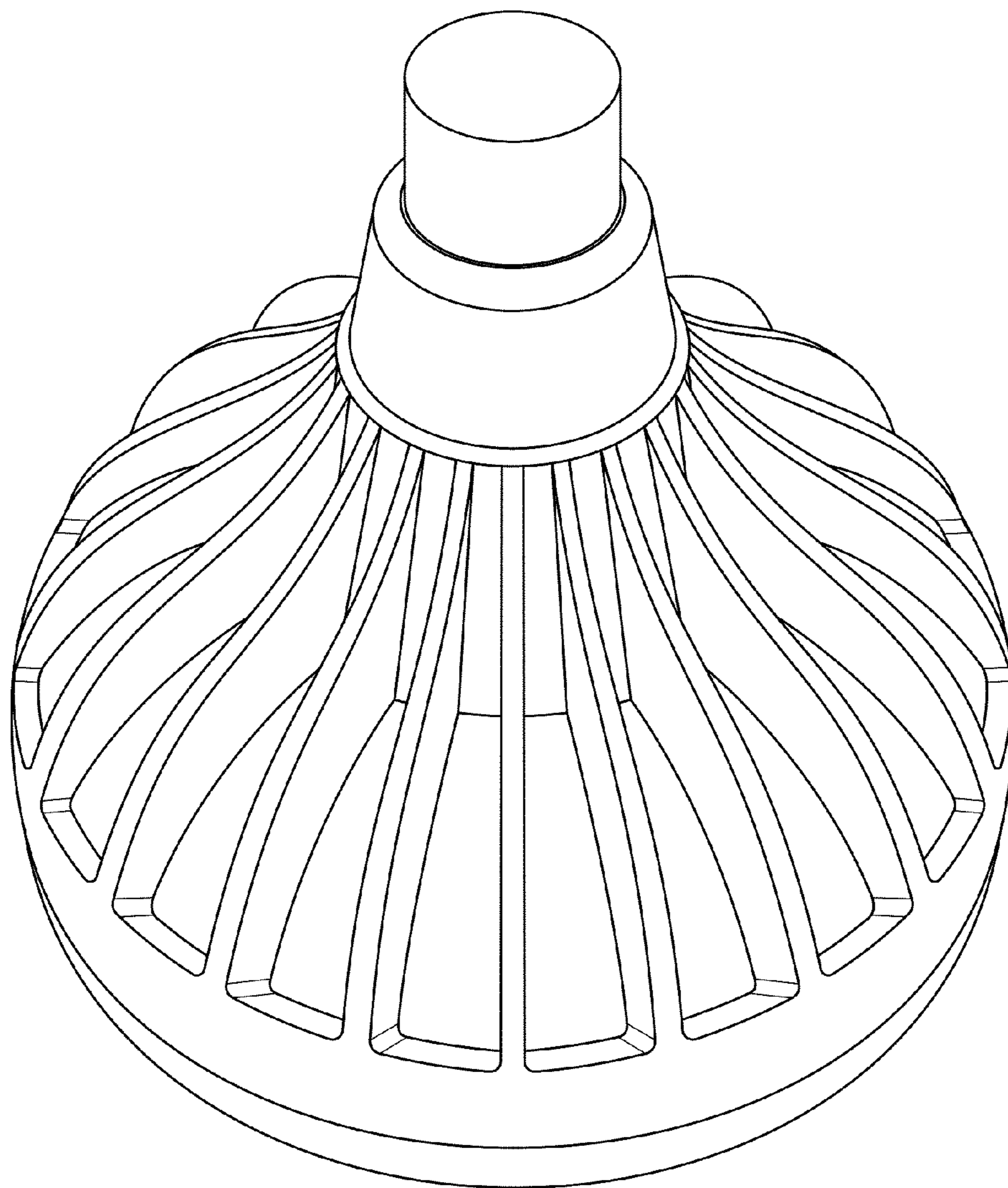


FIG. 8