



US00D700722S

(12) **United States Design Patent**
Webb et al.

(10) **Patent No.:** **US D700,722 S**
(45) **Date of Patent:** **** Mar. 4, 2014**

- (54) **LED BULB WITH LED MOUNTS**
- (71) Applicant: **Switch Bulb Company, Inc.**, San Jose, CA (US)
- (72) Inventors: **Andrew Webb**, San Jose, CA (US); **David Titzler**, Palo Alto, CA (US); **Alex Rochat**, Emeryville, CA (US); **Rob Swinton**, San Francisco, CA (US); **Jeff Salazar**, Palo Alto, CA (US); **Glenn Wheelock**, San Jose, CA (US)
- (73) Assignee: **Switch Bulb Company, Inc.**, San Jose, CA (US)

D534,665 S	1/2007	Egawa et al.	
D538,950 S *	3/2007	Maxik	D26/2
D538,953 S	3/2007	Mama	
D615,220 S	5/2010	Crane et al.	
D617,915 S *	6/2010	Wada et al.	D26/2
D617,918 S *	6/2010	Yamamoto et al.	D26/2
D617,919 S *	6/2010	Wada et al.	D26/2
D620,155 S *	7/2010	Wang et al.	D26/2
D629,929 S *	12/2010	Chen et al.	D26/2
D634,451 S *	3/2011	de Visser	D26/2
D651,327 S	12/2011	Hsiao et al.	
D653,366 S *	1/2012	Le et al.	D26/2
D663,869 S	7/2012	Choi et al.	
D676,582 S	2/2013	Webb et al.	
D690,036 S *	9/2013	Rochat et al.	D26/2

- (**) Term: **14 Years**
- (21) Appl. No.: **29/459,078**
- (22) Filed: **Jun. 25, 2013**

Related U.S. Application Data

- (63) Continuation of application No. 13/068,867, filed on Jul. 8, 2011, and a continuation of application No. 29/404,803, filed on Oct. 25, 2011, now abandoned.
- (51) **LOC (10) Cl.** **26-04**
- (52) **U.S. Cl.**
USPC **D26/2**
- (58) **Field of Classification Search**
USPC D26/1-4; 313/313, 315, 316, 317, 318, 313/493; 315/52, 53, 56, 57, 58
See application file for complete search history.

(56) **References Cited**

U.S. PATENT DOCUMENTS

D508,575 S	8/2005	Buschmann et al.
D528,227 S	9/2006	Chou et al.
D531,741 S	11/2006	Takahashi

OTHER PUBLICATIONS

Notice of Allowance received for U.S. Appl. No. 29/404,803, mailed on Mar. 4, 2013, 8 pages.

* cited by examiner

Primary Examiner — Marcus Jackson

(74) *Attorney, Agent, or Firm* — Morrison & Foerster LLP

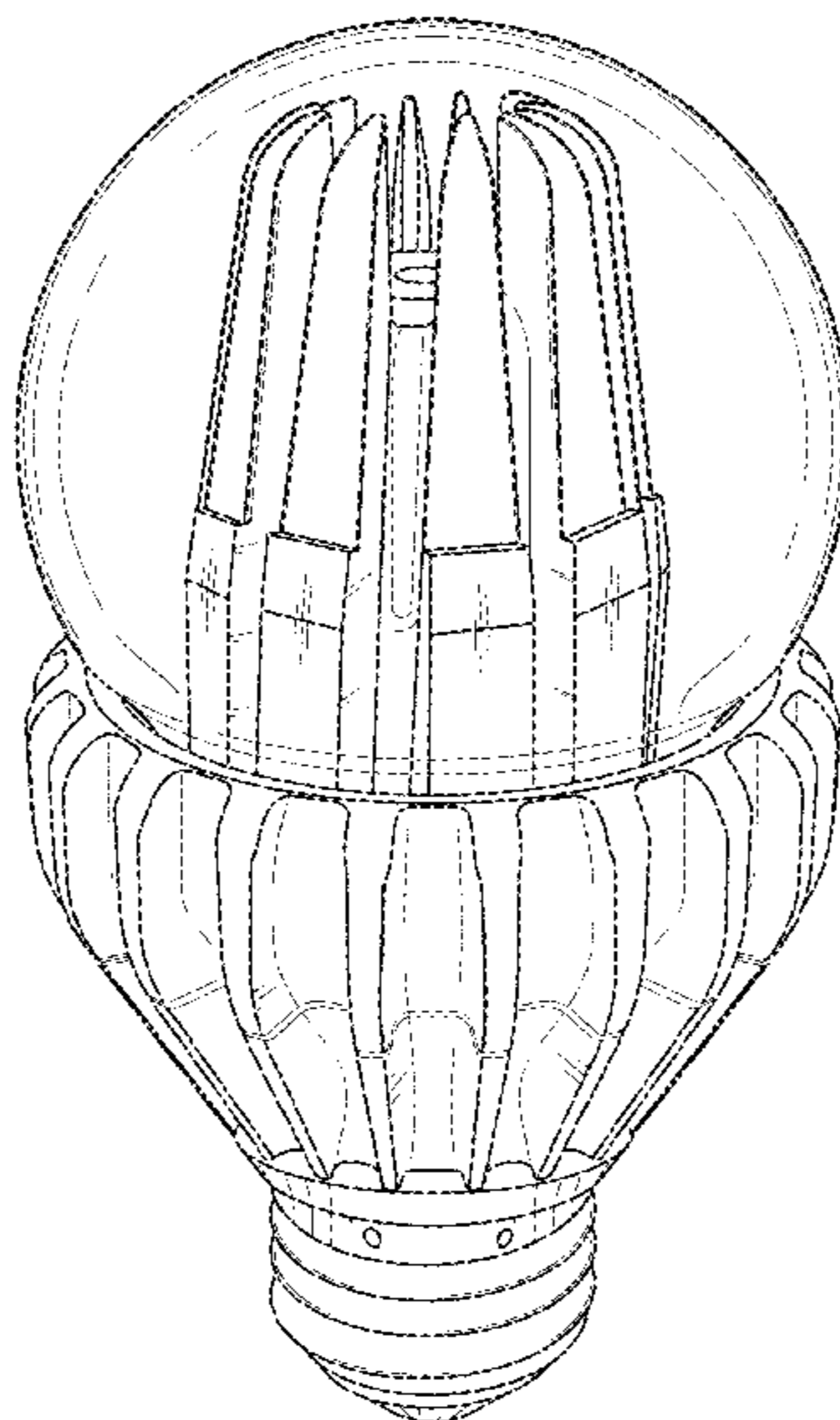
(57) **CLAIM**

The ornamental design for an LED bulb with LED mounts, as shown and described.

DESCRIPTION

FIG. 1 is a perspective view of a first embodiment of an LED bulb with LED mounts;
 FIG. 2 is a side view of the first embodiment;
 FIG. 3 is a top view of the first embodiment;
 FIG. 4 is a bottom view of the first embodiment;
 FIG. 5 is a perspective view of a second embodiment of an LED bulb with LED mounts;
 FIG. 6 is a side view of the second embodiment;
 FIG. 7 is a top view of the second embodiment; and,
 FIG. 8 is a bottom view of the second embodiment.

1 Claim, 6 Drawing Sheets



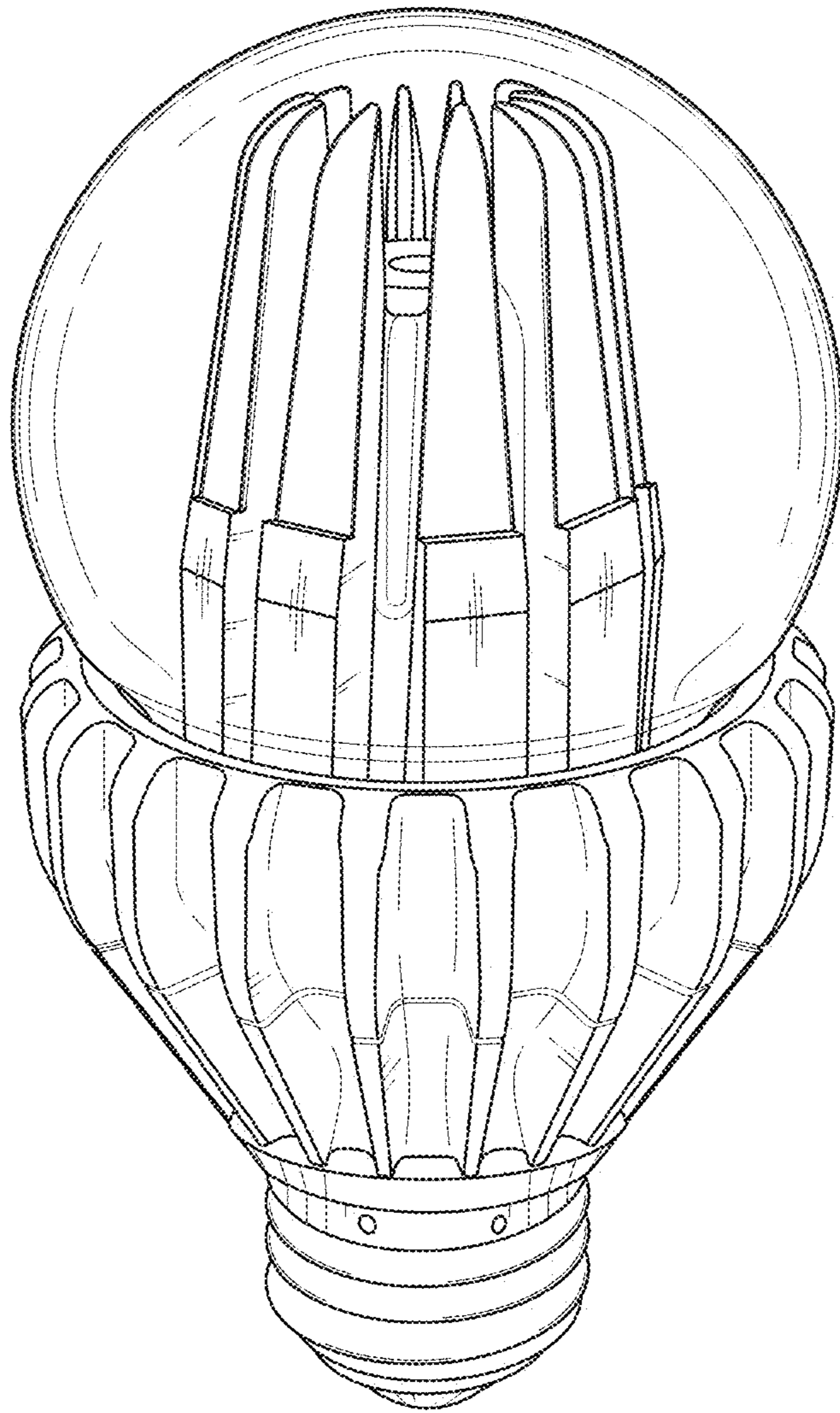


FIG. 1

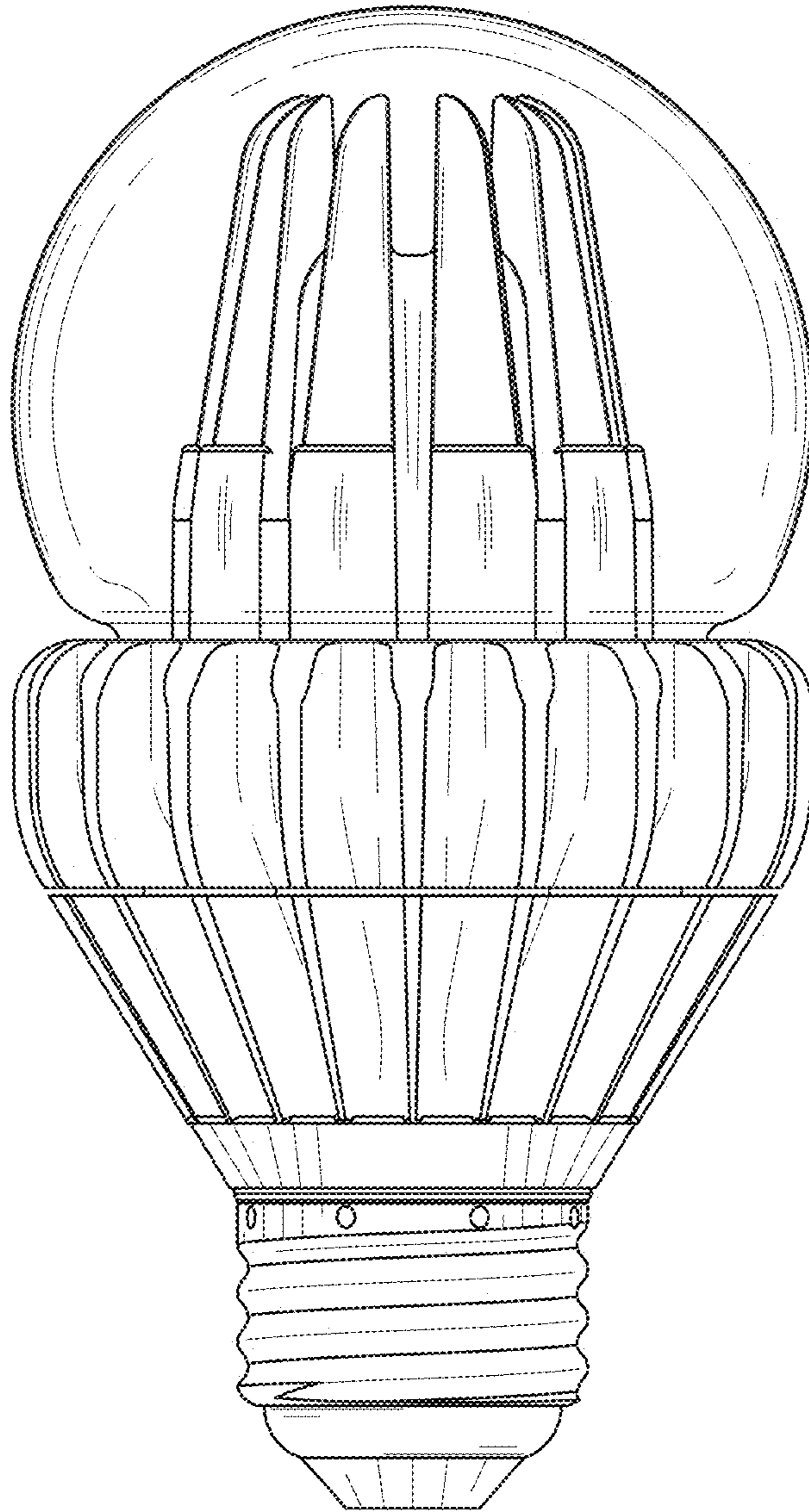


FIG. 2

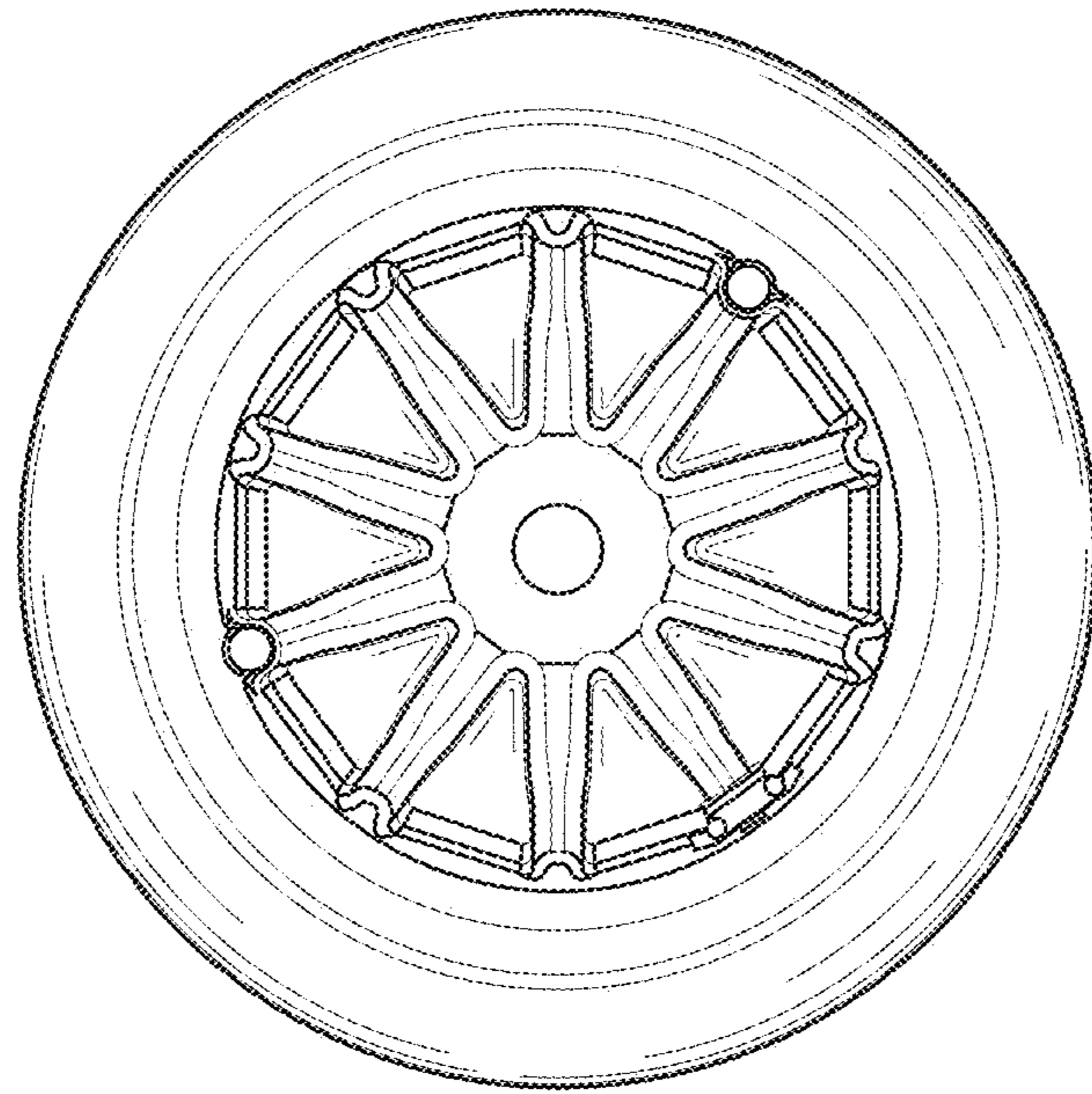


FIG. 3

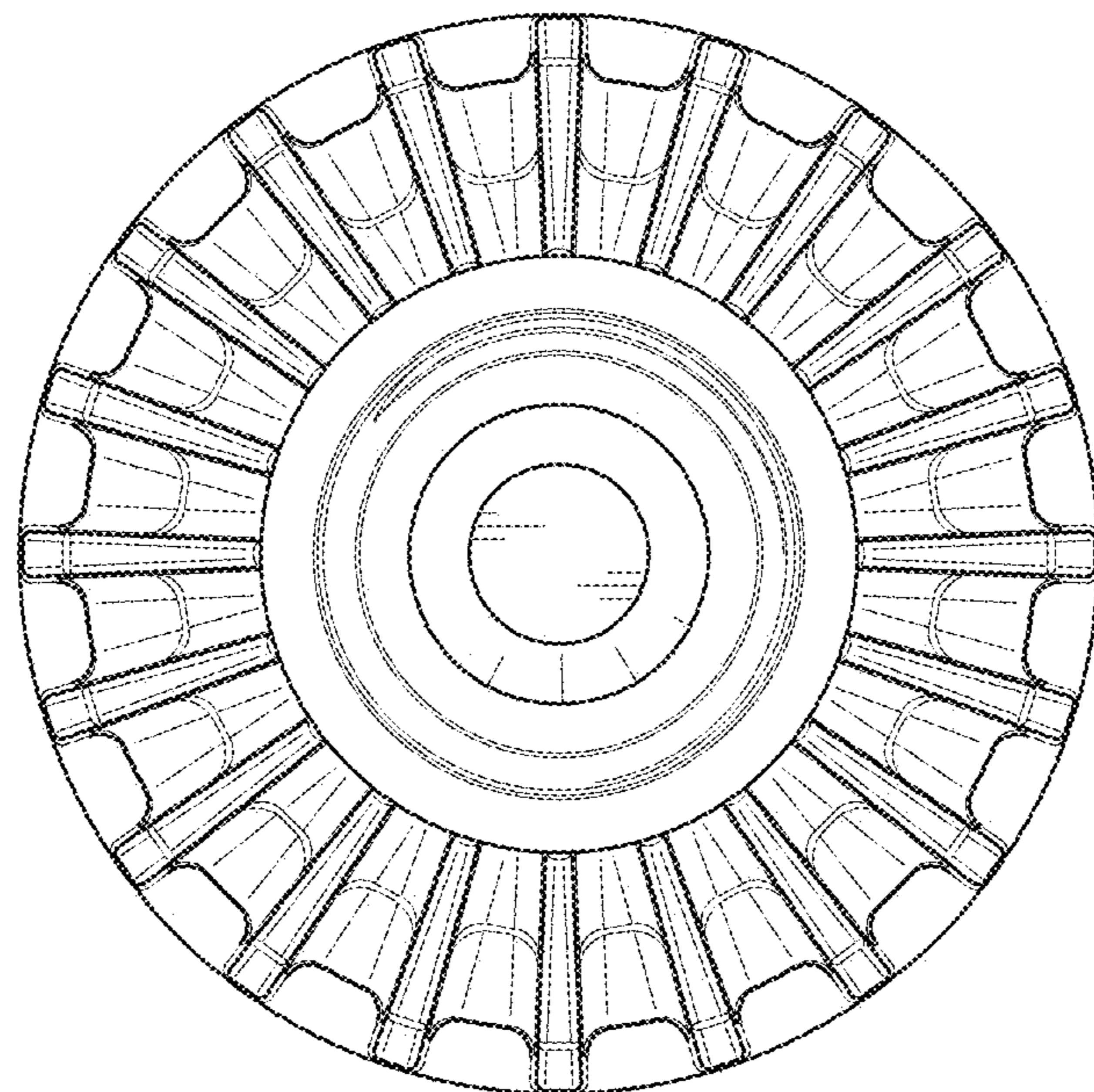


FIG. 4

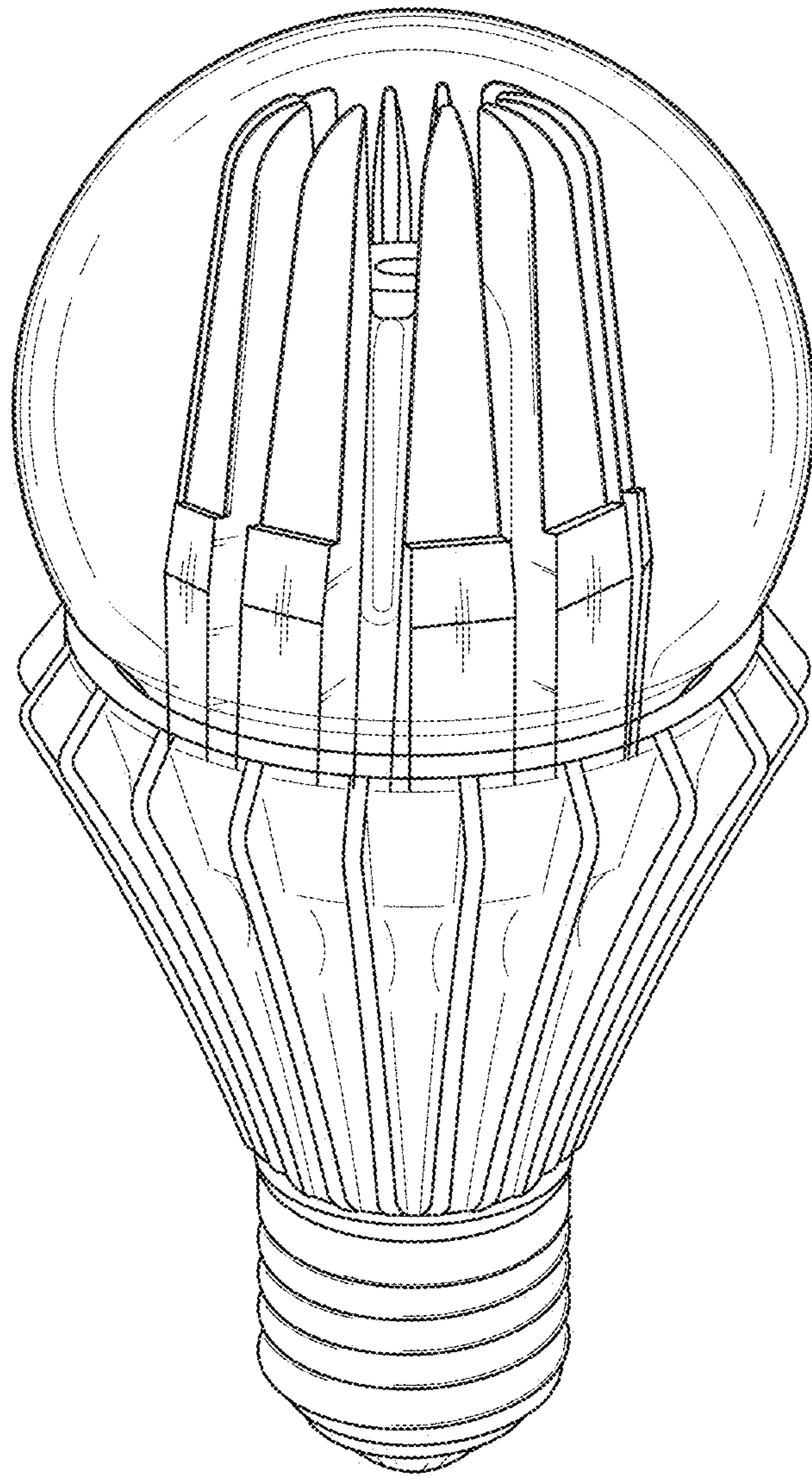


FIG. 5

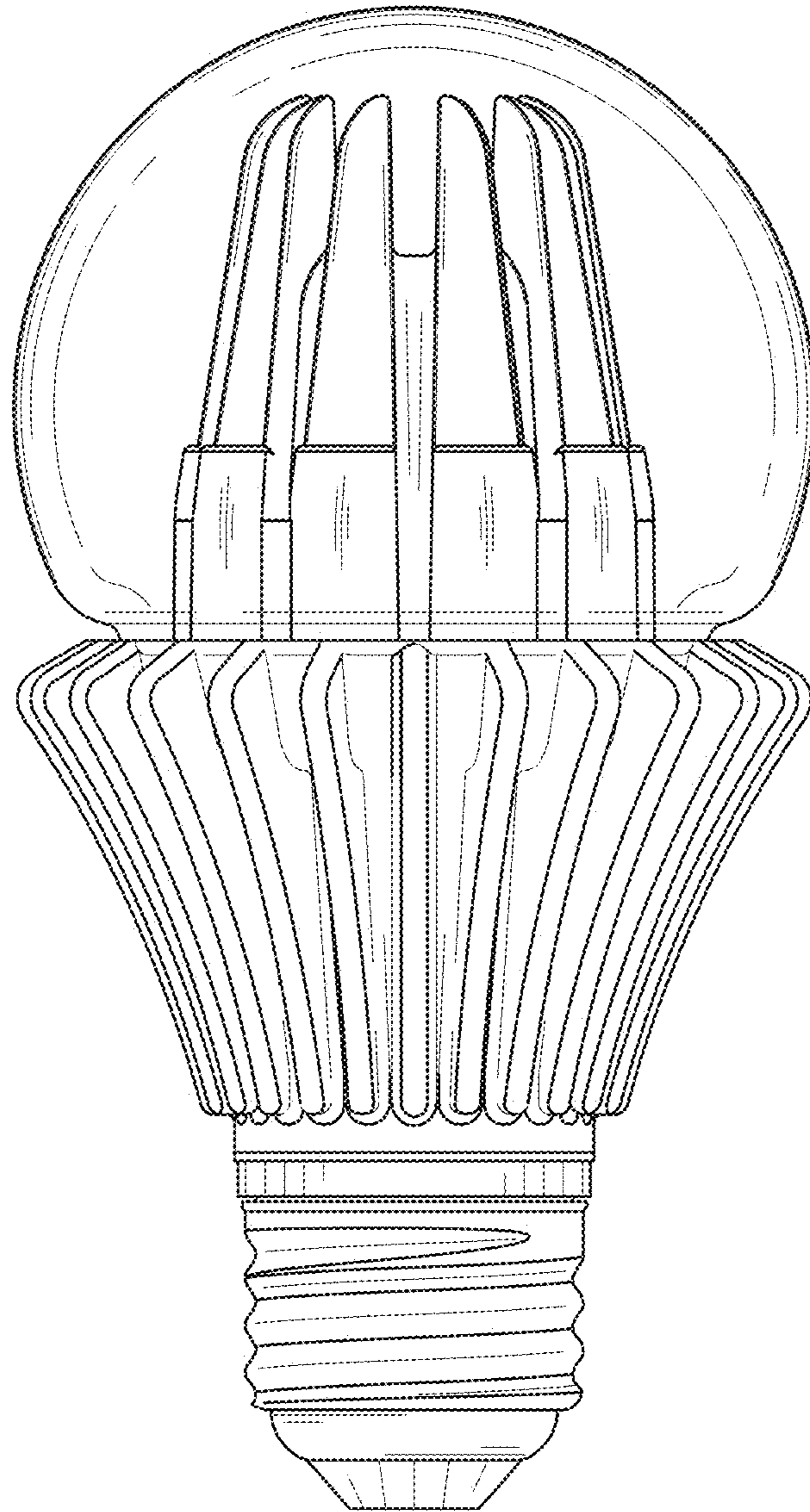


FIG. 6

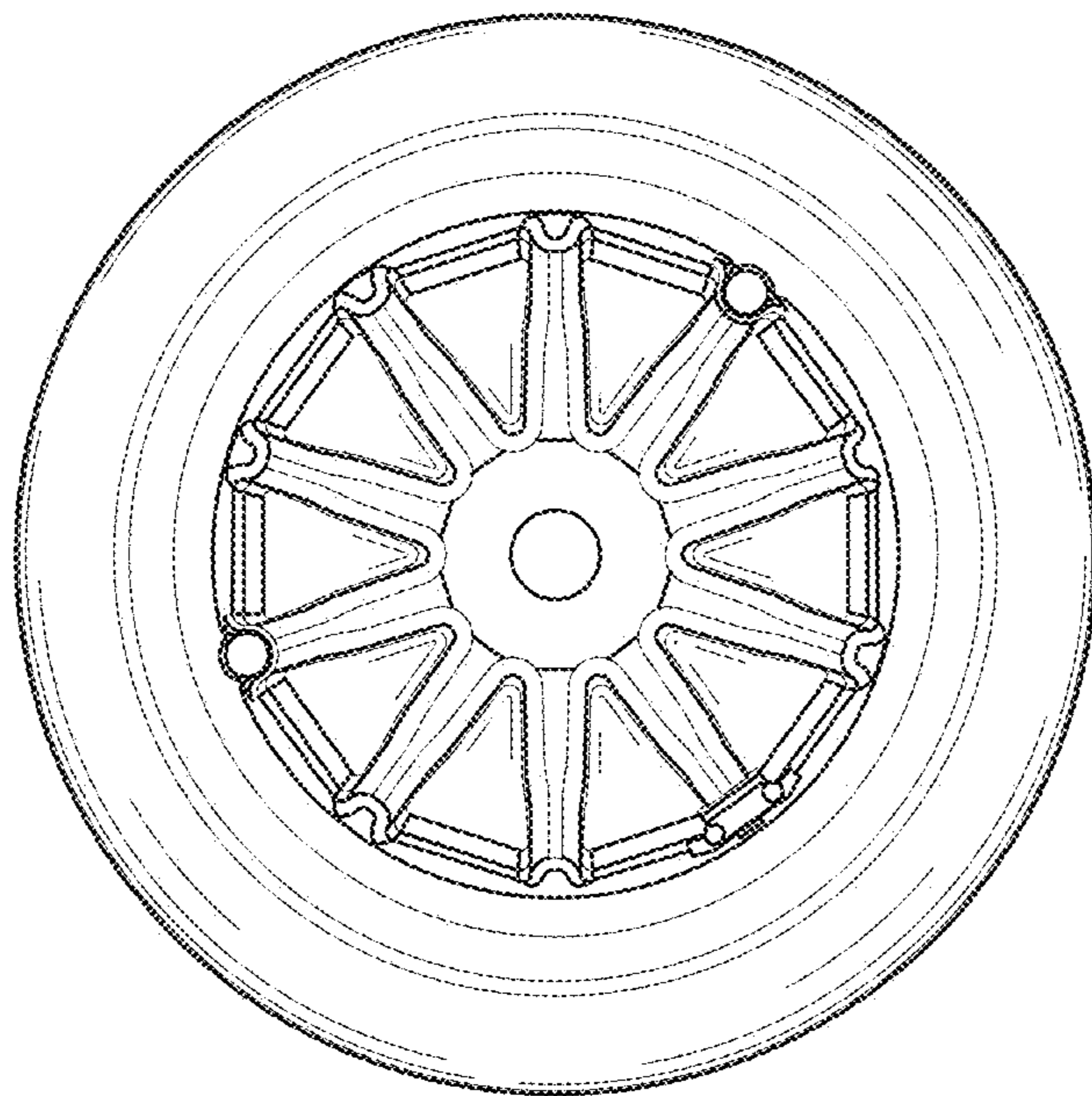


FIG. 7

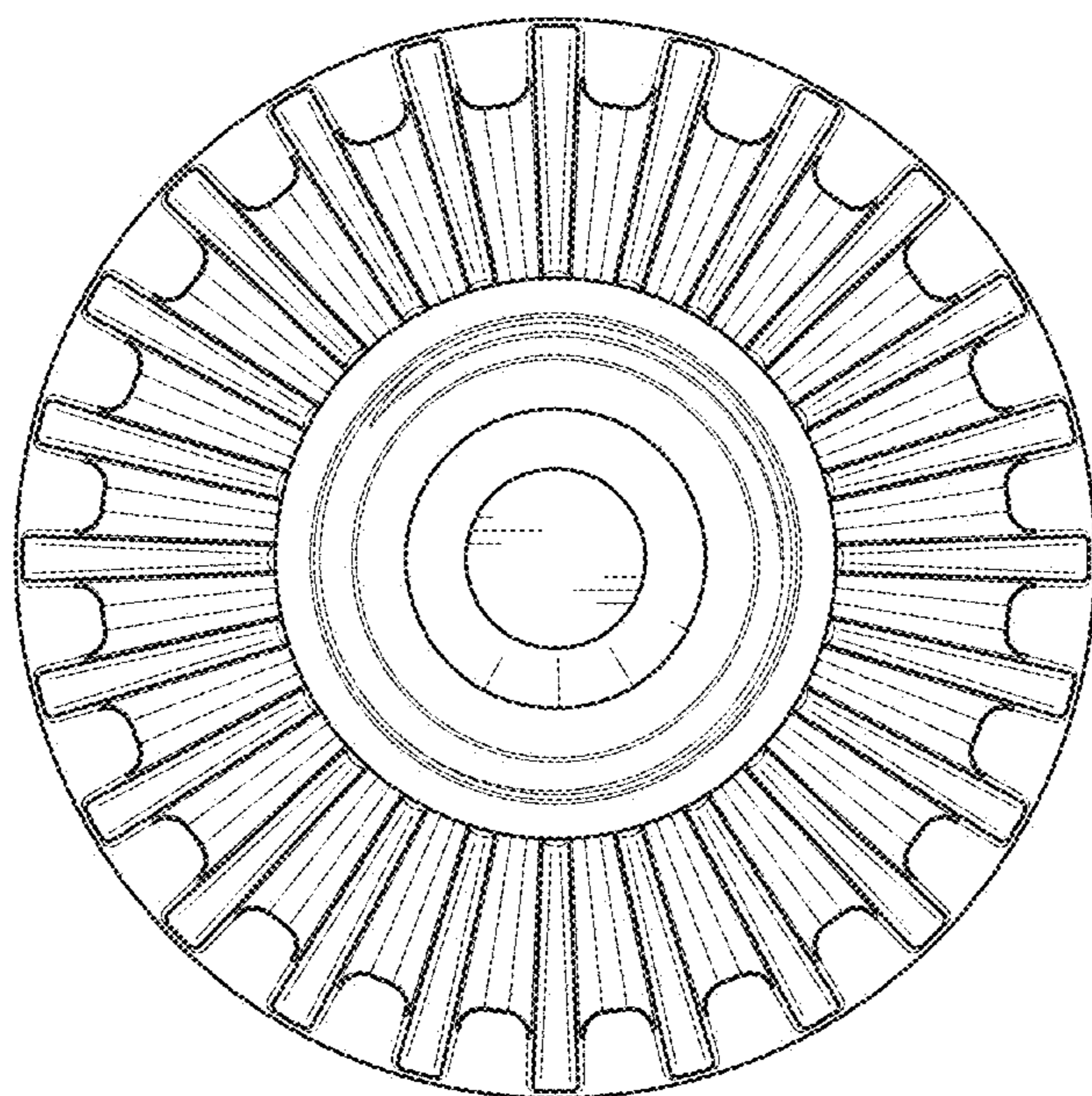


FIG. 8