



US00D700721S

(12) **United States Design Patent**
Webb et al.

(10) **Patent No.:** **US D700,721 S**
(45) **Date of Patent:** **** Mar. 4, 2014**

(54) **SHELL AND LED MOUNTS FOR AN LED BULB**

(71) Applicant: **Switch Bulb Company, Inc.**, San Jose, CA (US)

(72) Inventors: **Andrew Webb**, San Jose, CA (US); **David Titzler**, Palo Alto, CA (US); **Alex Rochat**, Emeryville, CA (US); **Rob Swinton**, San Francisco, CA (US); **Jeff Salazar**, Palo Alto, CA (US); **Glenn Wheelock**, San Jose, CA (US)

(73) Assignee: **Switch Bulb Company, Inc.**, San Jose, CA (US)

(**) Term: **14 Years**

(21) Appl. No.: **29/459,077**

(22) Filed: **Jun. 25, 2013**

Related U.S. Application Data

(63) Continuation of application No. 13/068,867, filed on Jul. 8, 2011, and a continuation of application No. 29/404,802, filed on Oct. 25, 2011, now abandoned.

(51) **LOC (10) Cl.** **26-04**

(52) **U.S. Cl.**
USPC **D26/2**

(58) **Field of Classification Search**
USPC D26/1-4; 313/313, 315, 316, 317, 318, 313/493; 315/52, 53, 56, 57, 58
See application file for complete search history.

(56) **References Cited**

U.S. PATENT DOCUMENTS

D508,575 S 8/2005 Buschmann et al.
D528,227 S 9/2006 Chou et al.
D531,741 S 11/2006 Takahashi
D534,665 S 1/2007 Egawa et al.

D538,950 S * 3/2007 Maxik D26/2
D538,953 S 3/2007 Mama
D615,220 S 5/2010 Crane et al.
D617,915 S * 6/2010 Wada et al. D26/2
D617,918 S * 6/2010 Yamamoto et al. D26/2
D617,919 S * 6/2010 Wada et al. D26/2
D620,155 S * 7/2010 Wang et al. D26/2
D629,929 S * 12/2010 Chen et al. D26/2
D634,451 S * 3/2011 de Visser D26/2
D651,327 S 12/2011 Hsiao et al.
D653,366 S * 1/2012 Le et al. D26/2
D663,869 S 7/2012 Choi et al.
D676,582 S 2/2013 Webb et al.
D690,036 S * 9/2013 Rochat et al. D26/2

OTHER PUBLICATIONS

Notice of Allowance received for U. S. Appl. No. 29/404,802, mailed on Mar. 4, 2013, 8 pages.

* cited by examiner

Primary Examiner — Marcus Jackson

(74) *Attorney, Agent, or Firm* — Morrison & Foerster LLP

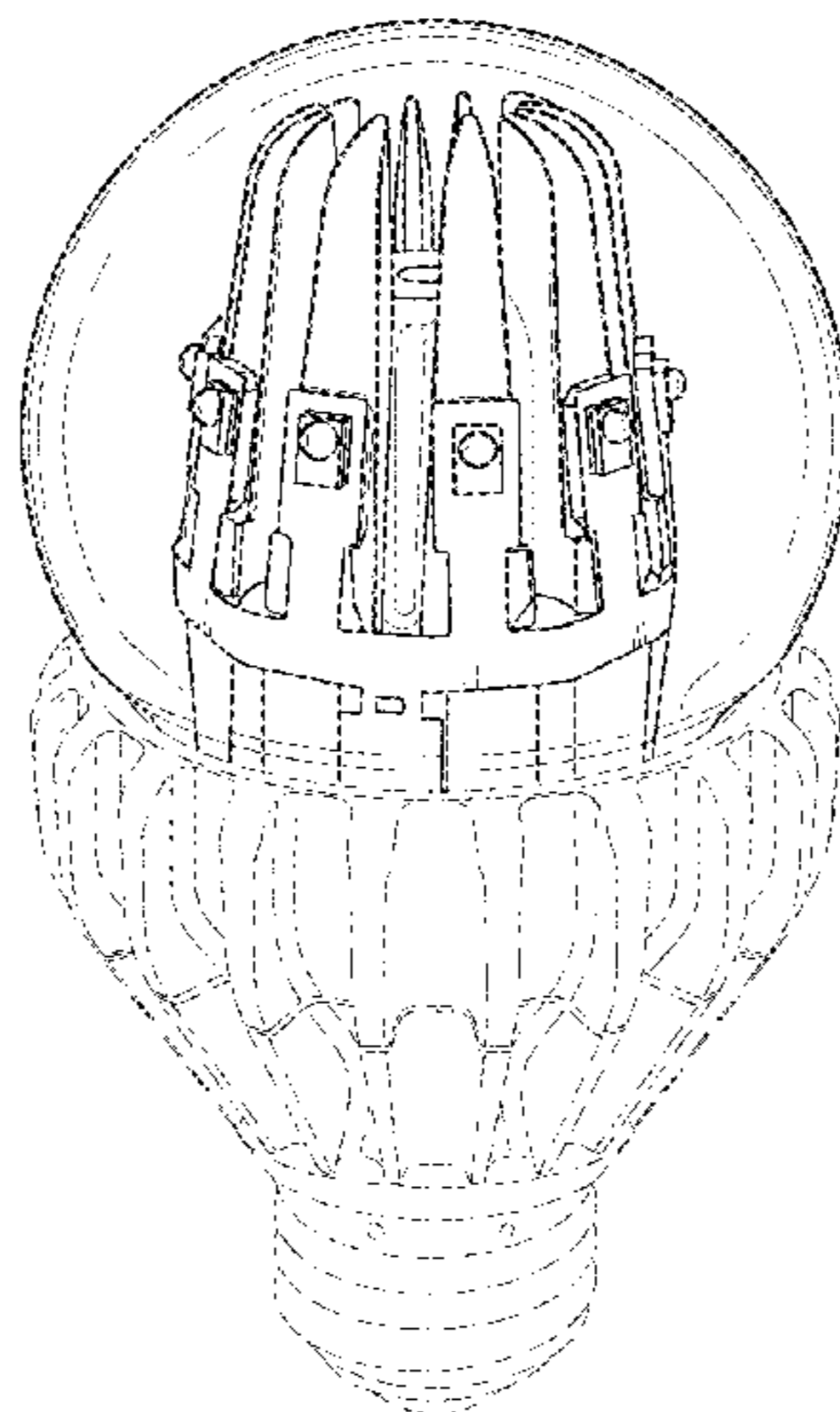
(57) **CLAIM**

The ornamental design for a shell and LED mounts for an LED bulb, as shown and described.

DESCRIPTION

FIG. 1 is a perspective view of a first embodiment of a shell and LED mounts for an LED bulb;
FIG. 2 is a side view of the first embodiment;
FIG. 3 is a top view of the first embodiment;
FIG. 4 is a bottom view of the first embodiment;
FIG. 5 is a perspective view of a second embodiment of a shell and LED mounts for an LED bulb;
FIG. 6 is a side view of the second embodiment;
FIG. 7 is a top view of the second embodiment; and,
FIG. 8 is a bottom view of the second embodiment.
The broken lines are for illustrative purposes only and form no part of the claimed design.

1 Claim, 6 Drawing Sheets



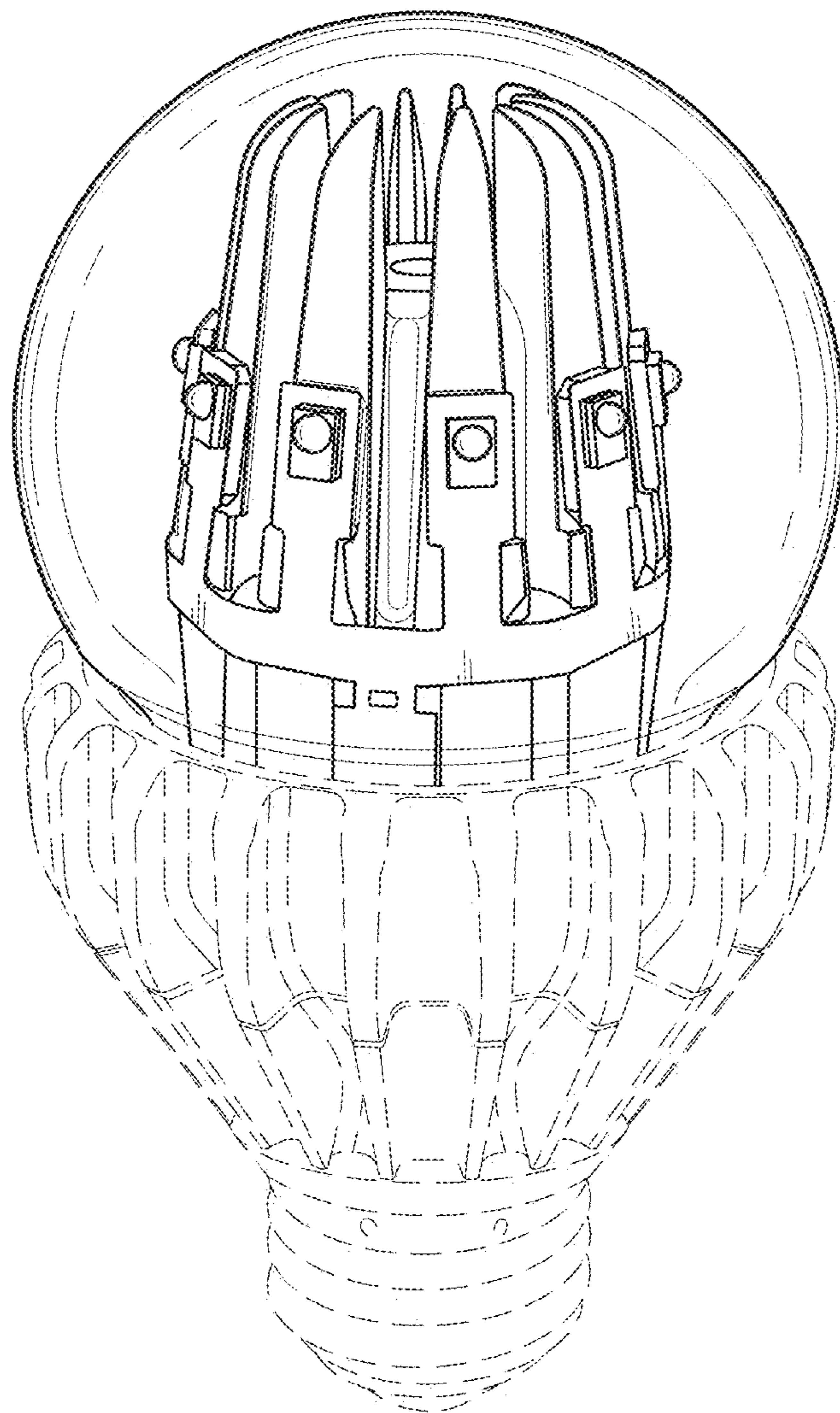


FIG. 1

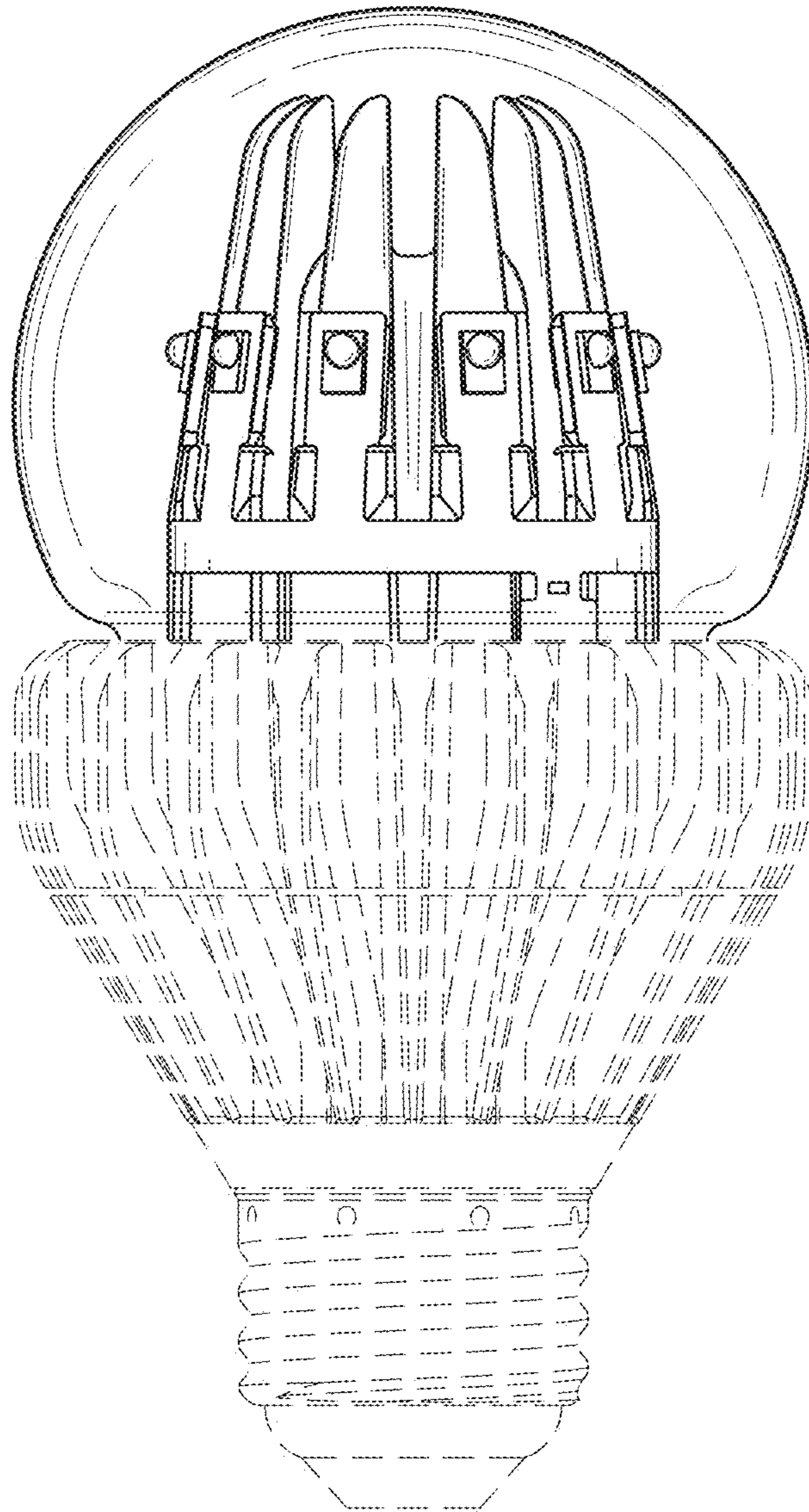


FIG. 2

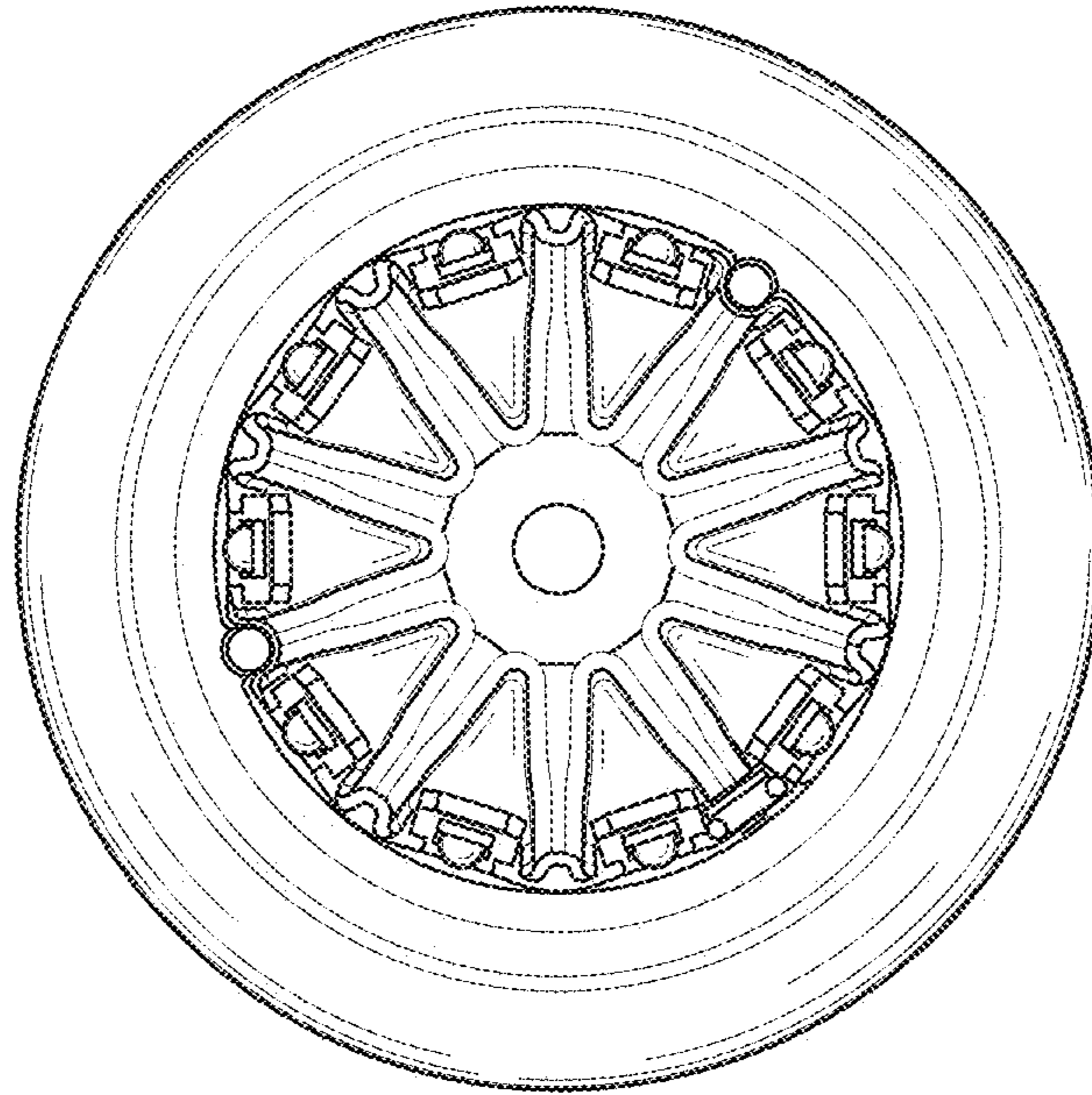


FIG. 3

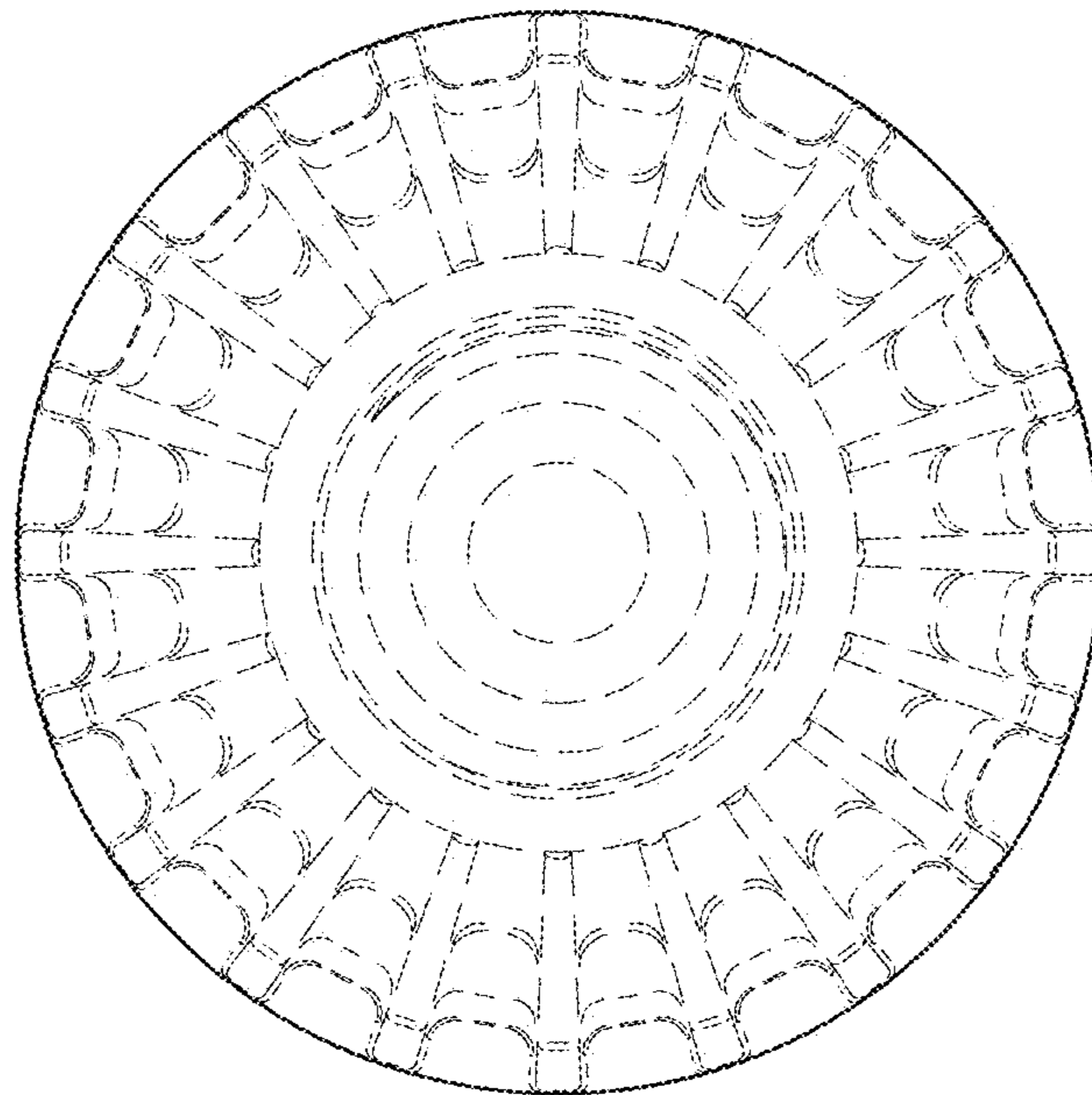


FIG. 4

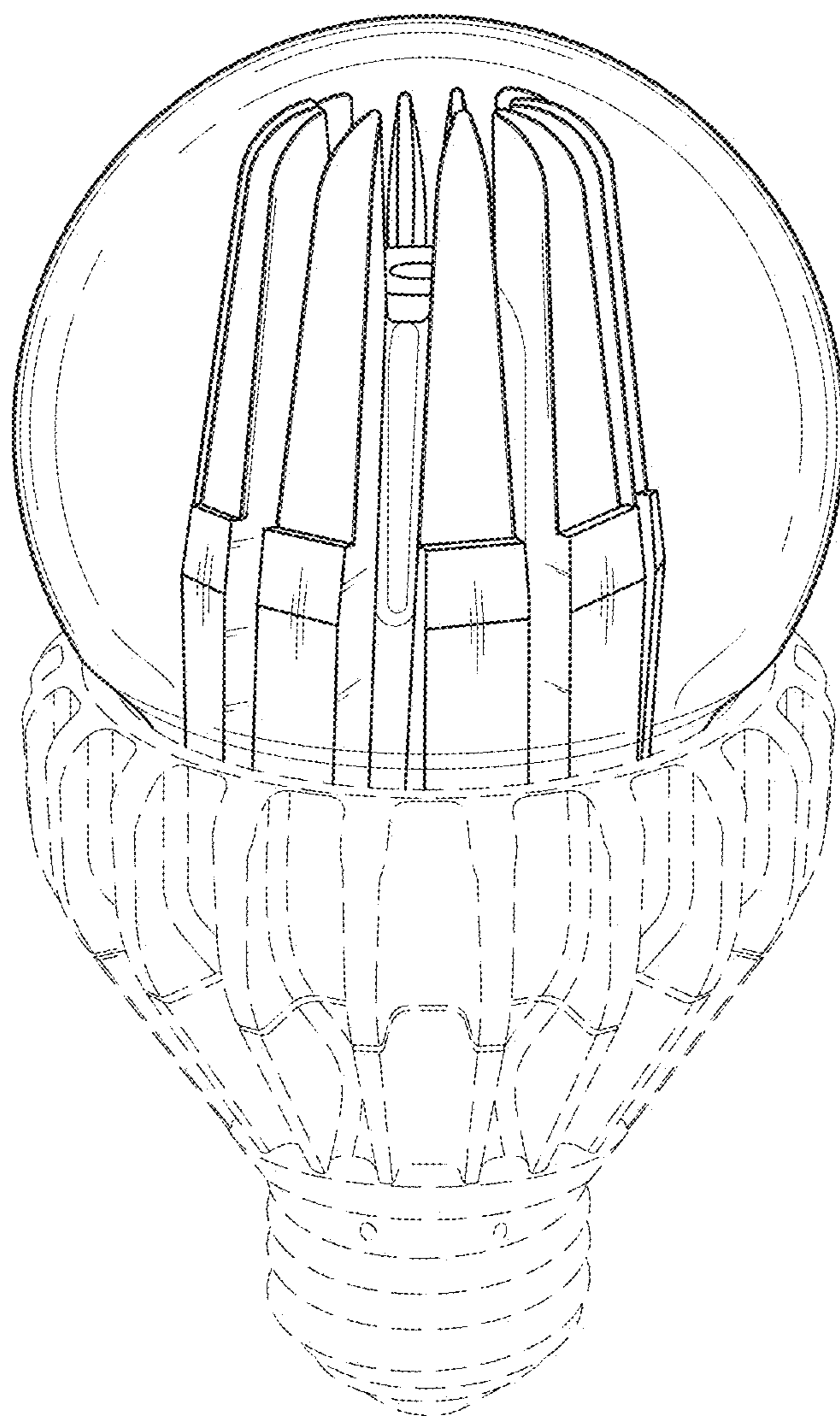


FIG. 5

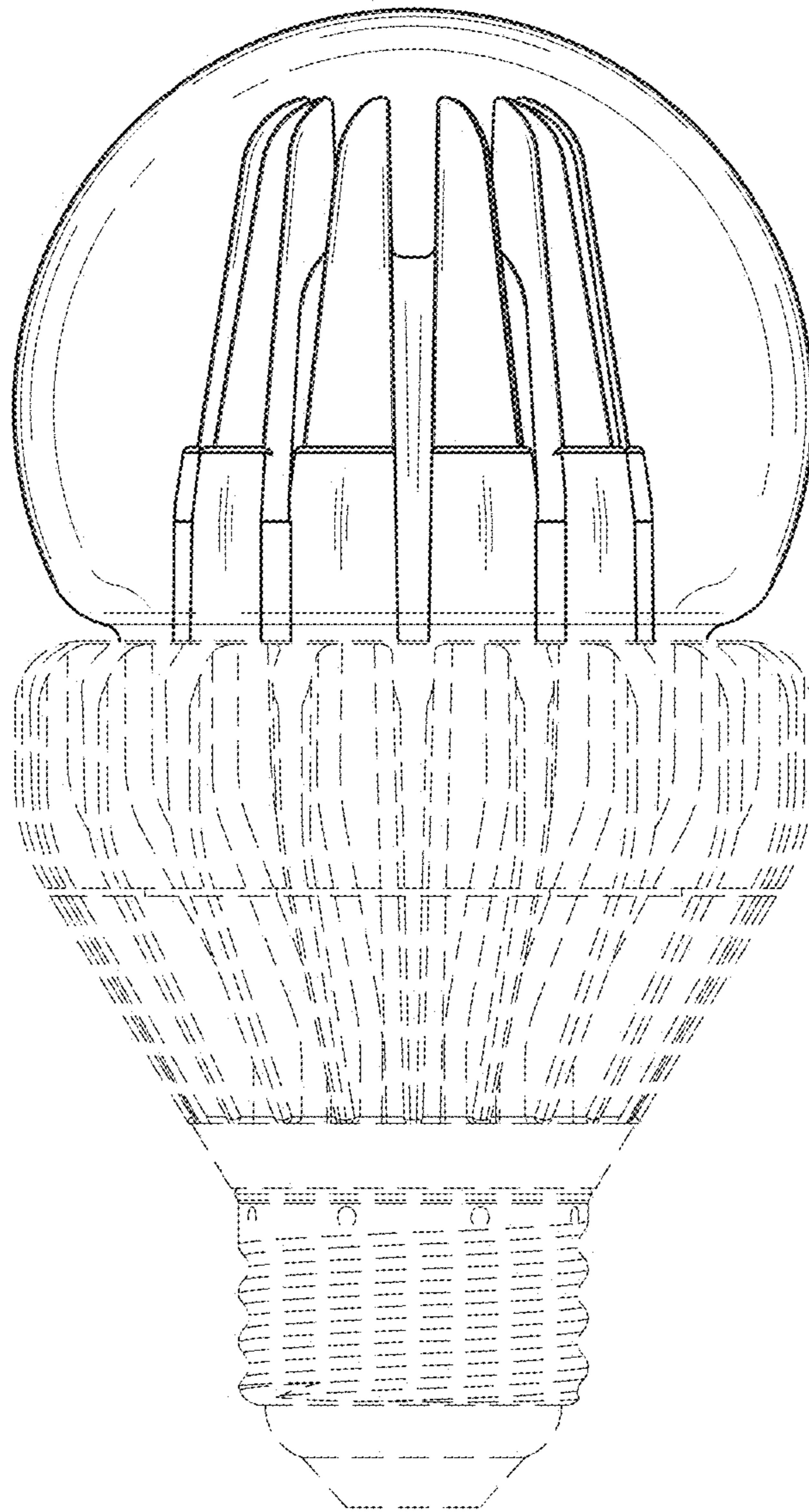


FIG. 6

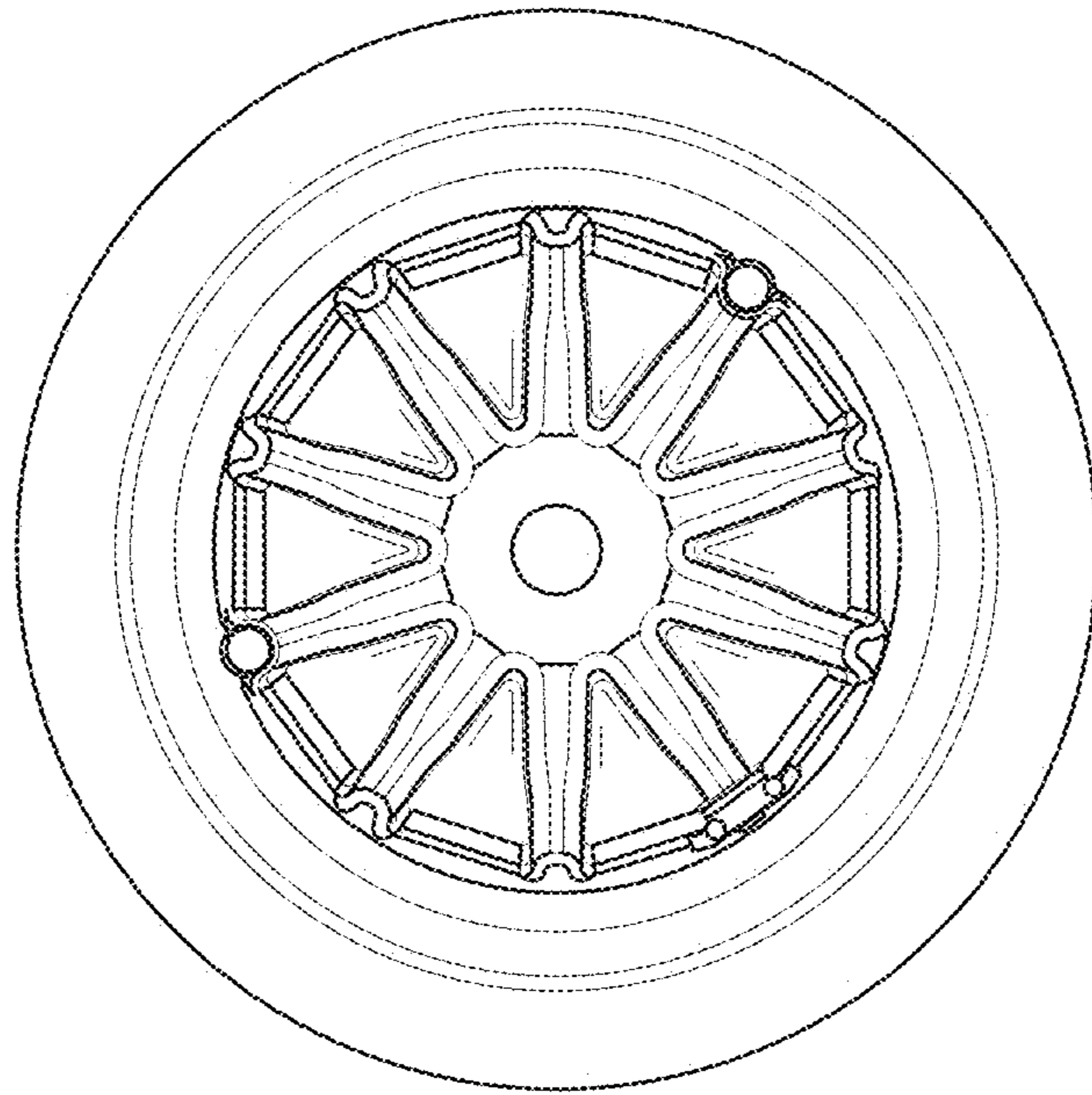


FIG. 7

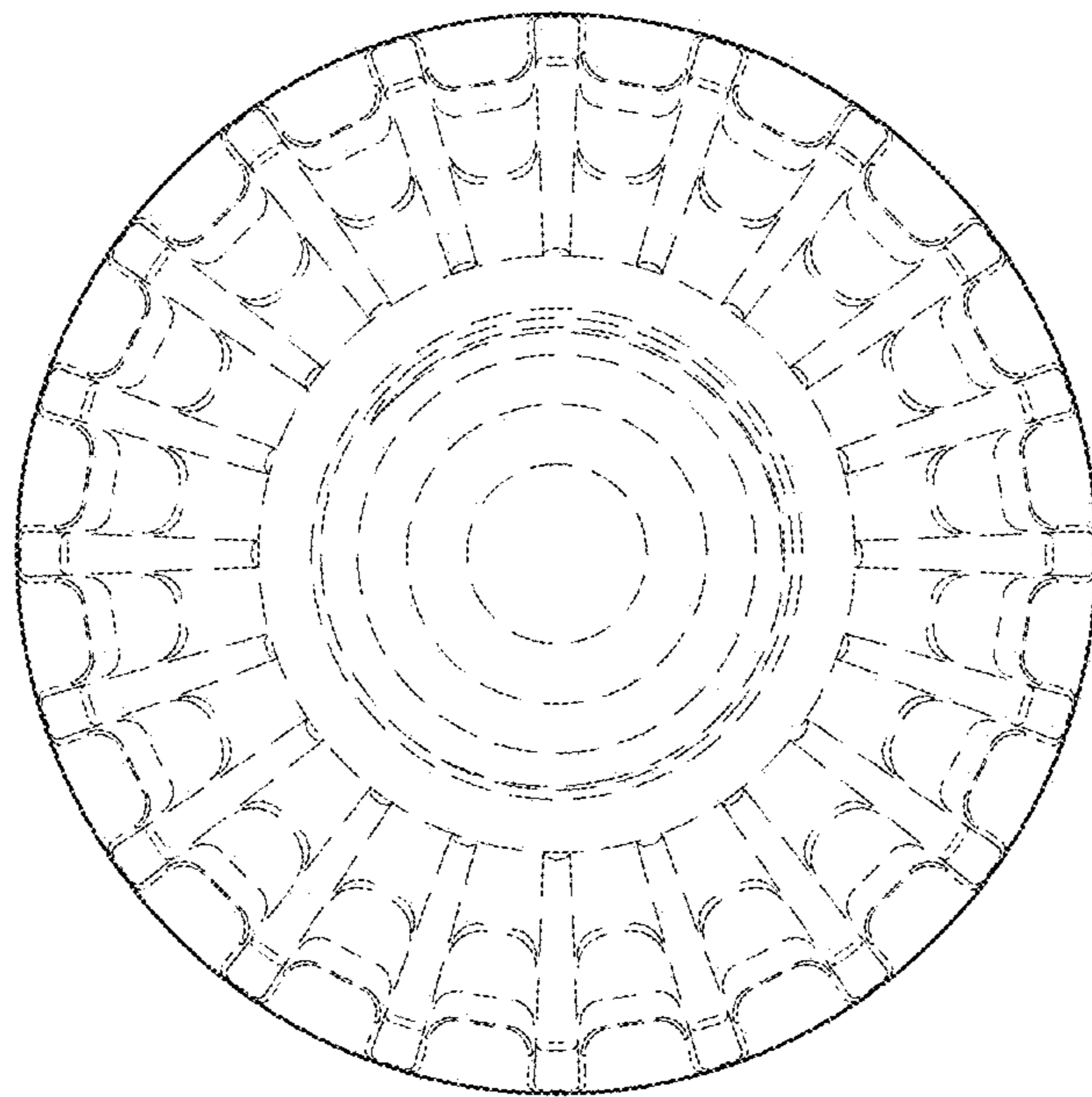


FIG. 8