



US00D700720S

(12) **United States Design Patent**
Su

(10) **Patent No.:** **US D700,720 S**
(45) **Date of Patent:** **** Mar. 4, 2014**

(54) **LIGHT EMITTING DIODE LAMP**

D631,571 S * 1/2011 Bobel D26/2
D648,461 S * 11/2011 Kim et al. D26/2
D675,756 S * 2/2013 Wada et al. D26/2

(75) Inventor: **Ching-Yu Su**, New Taipei (TW)

* cited by examiner

(73) Assignees: **Cal-Comp Electronics & Communications Company Limited**, New Taipei (TW); **Kinpo Electronics, Inc.**, New Taipei (TW)

Primary Examiner — Marcus Jackson
(74) *Attorney, Agent, or Firm* — Jianq Chyun IP Office

(**) Term: **14 Years**

(57) **CLAIM**
The ornamental design for a light emitting diode lamp, as shown and described.

(21) Appl. No.: **29/416,857**

DESCRIPTION

(22) Filed: **Mar. 28, 2012**

(30) **Foreign Application Priority Data**

Sep. 29, 2011 (EP) 001296032

(51) **LOC (10) Cl.** **26-04**

(52) **U.S. Cl.**
USPC **D26/2**

(58) **Field of Classification Search**
USPC D26/1-4; 313/313, 315, 316, 317, 318, 313/493; 315/52, 53, 56, 57, 58
See application file for complete search history.

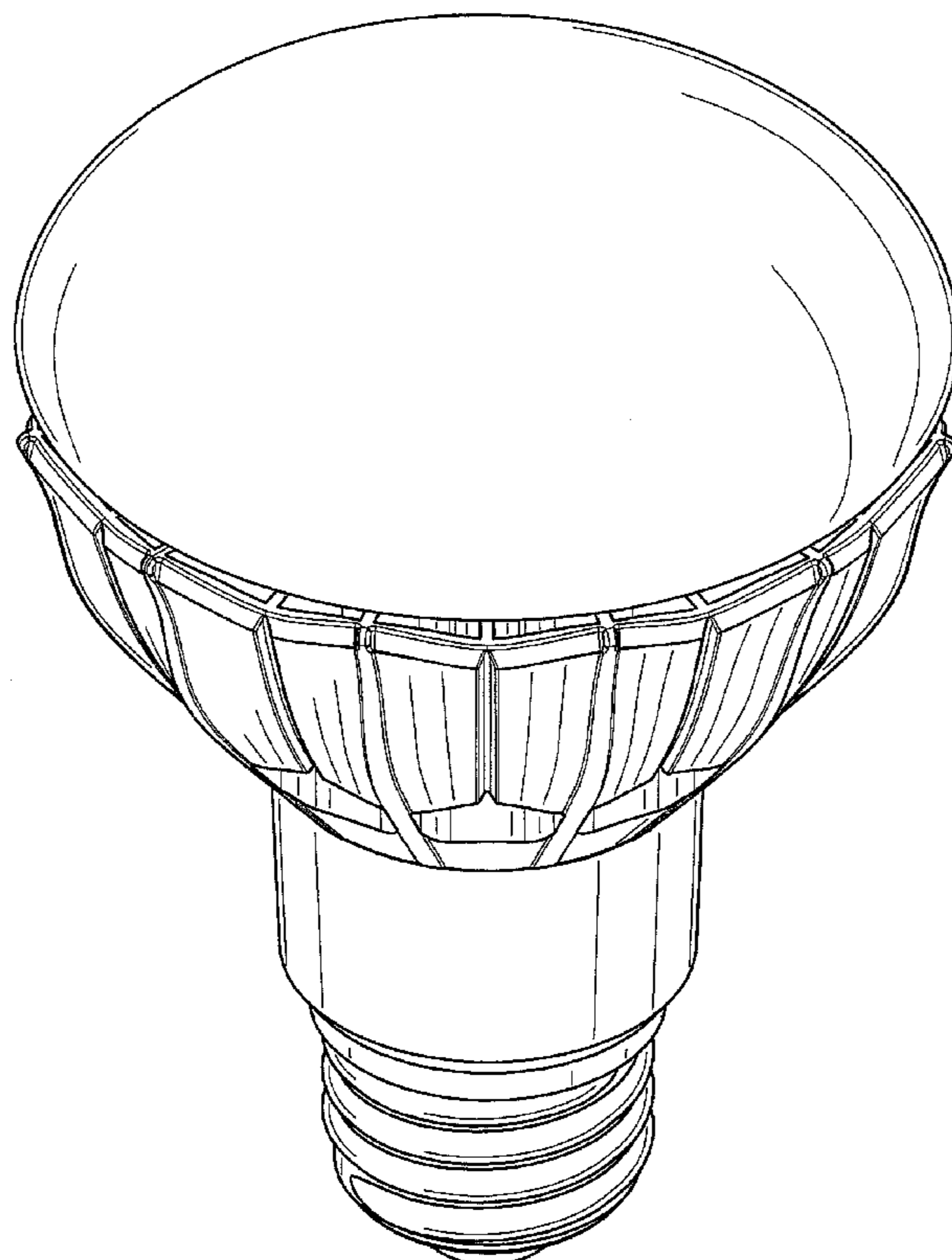
FIG. 1 is a perspective view of a lighting emitting diode lamp showing a first embodiment of our new design;
FIG. 2 is a front view thereof;
FIG. 3 is a rear view thereof;
FIG. 4 is a left side view thereof;
FIG. 5 is a right side view thereof;
FIG. 6 is a top view thereof;
FIG. 7 is a bottom view thereof;
FIG. 8 is a perspective view of a lighting emitting diode lamp showing a second embodiment of our new design;
FIG. 9 is a front view thereof;
FIG. 10 is a rear view thereof;
FIG. 11 is a left side view thereof;
FIG. 12 is a right side view thereof;
FIG. 13 is a top view thereof; and,
FIG. 14 is a bottom view thereof.

(56) **References Cited**

U.S. PATENT DOCUMENTS

D610,271 S * 2/2010 Bi D26/2
D616,120 S * 5/2010 Wada et al. D26/2

1 Claim, 14 Drawing Sheets



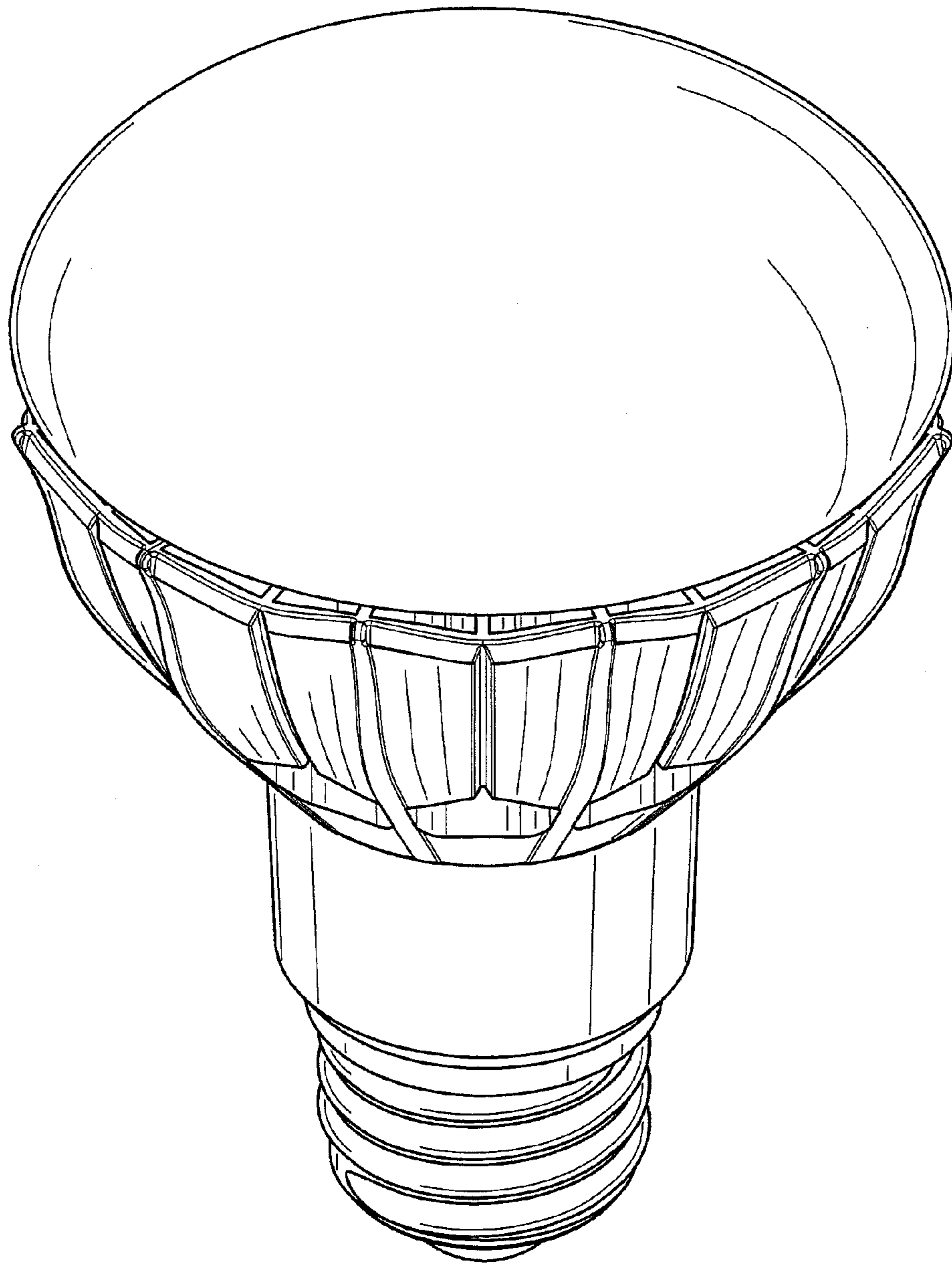


FIG. 1

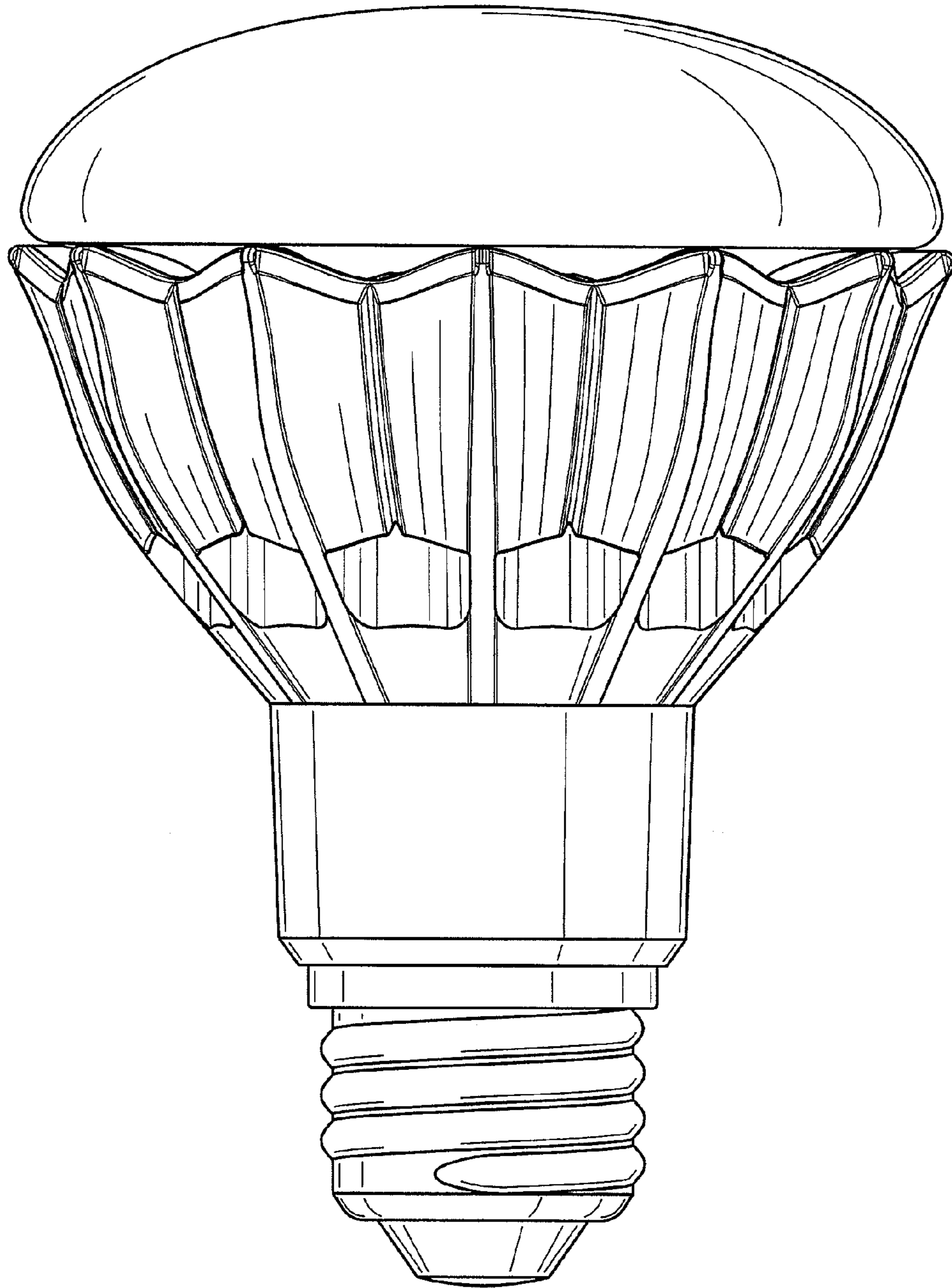


FIG. 2

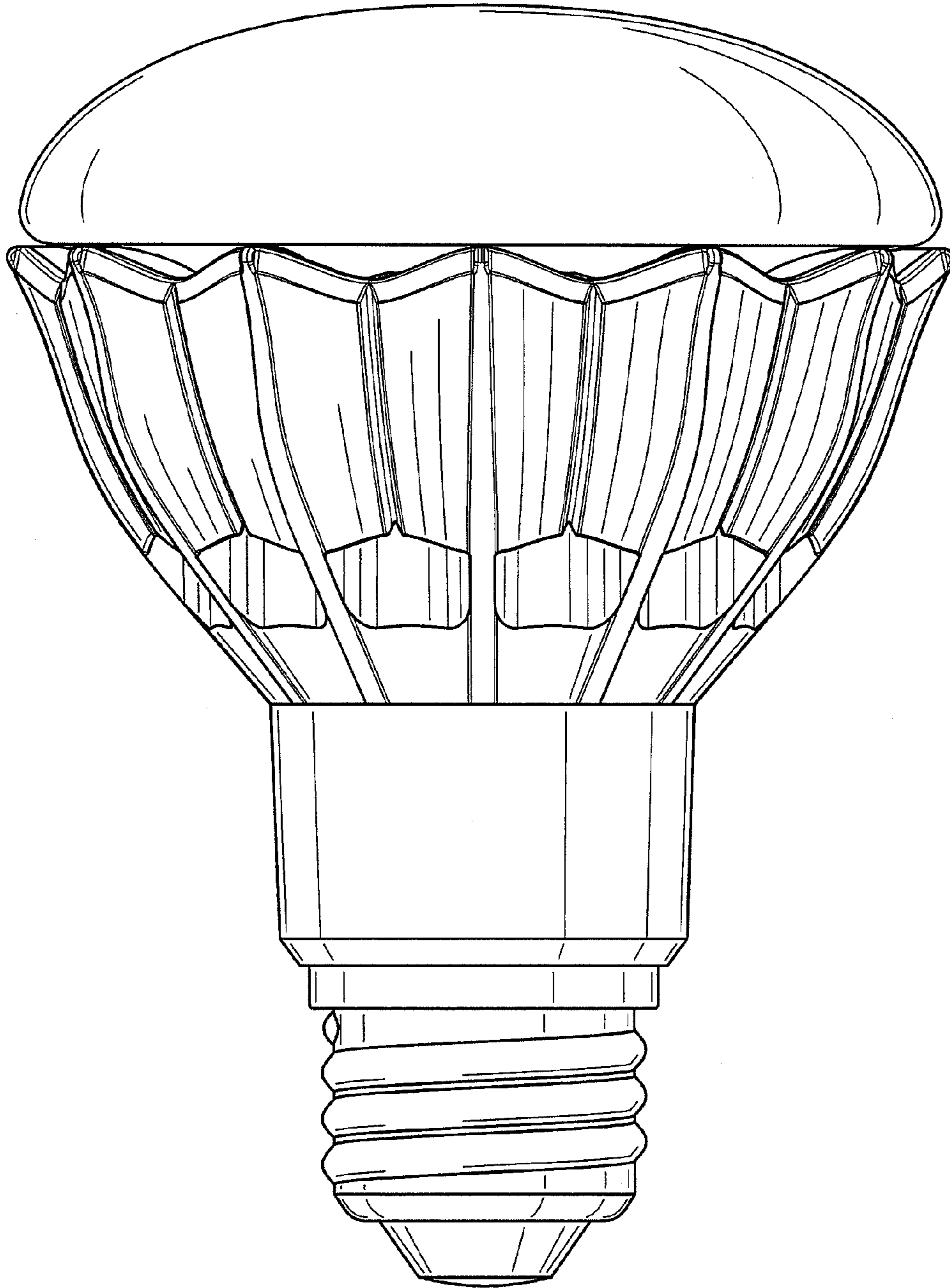


FIG. 3

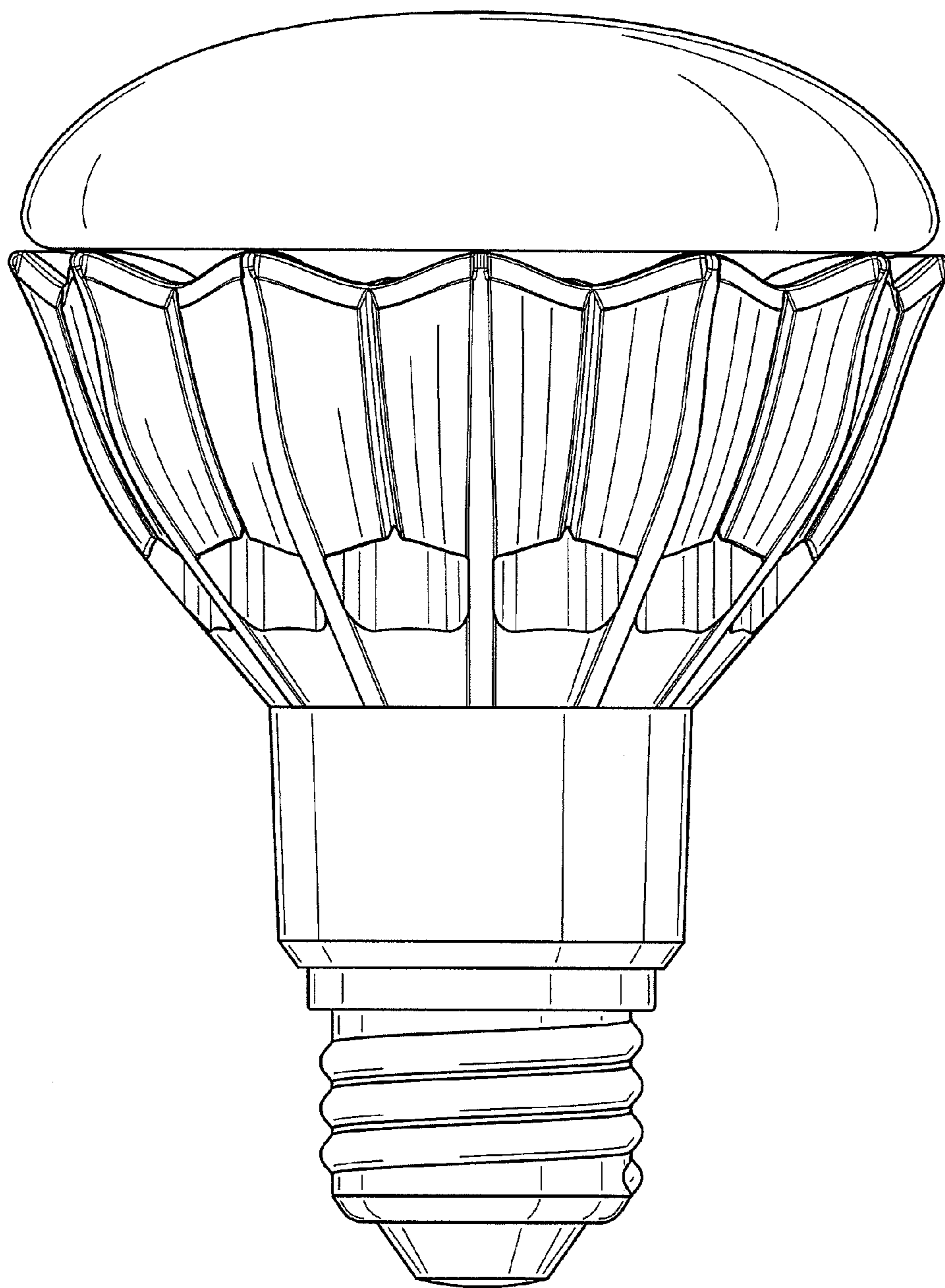


FIG. 4

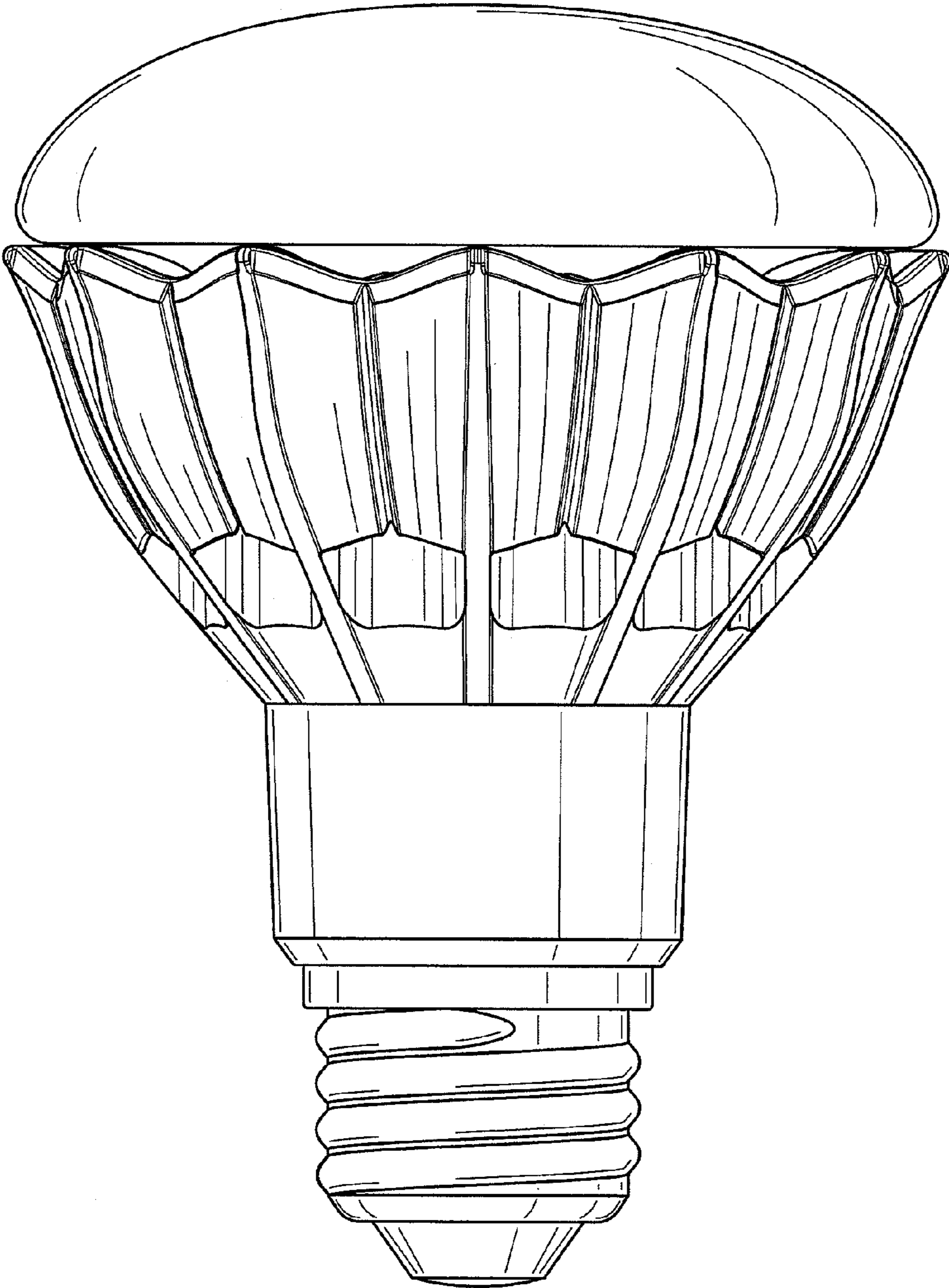


FIG. 5

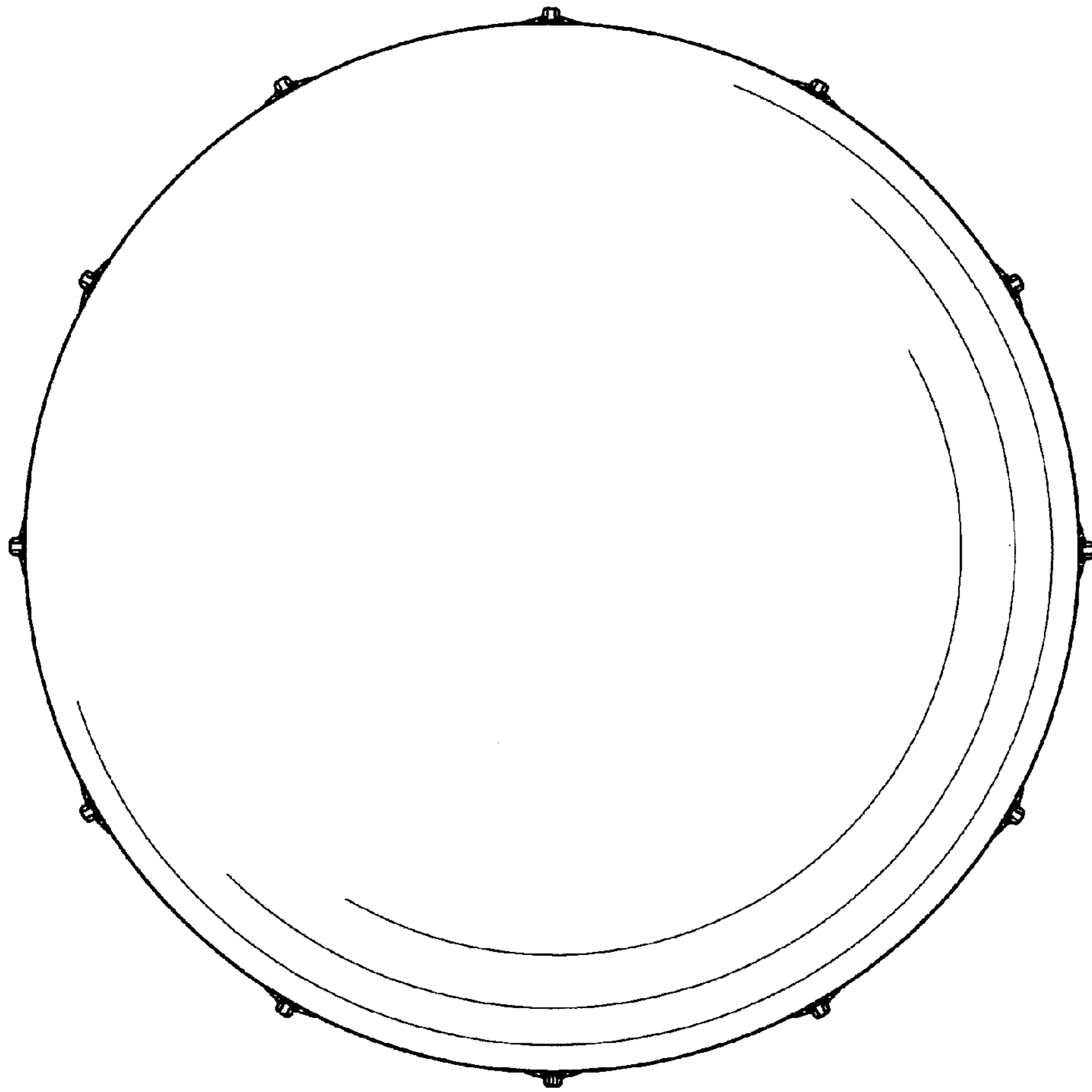


FIG. 6

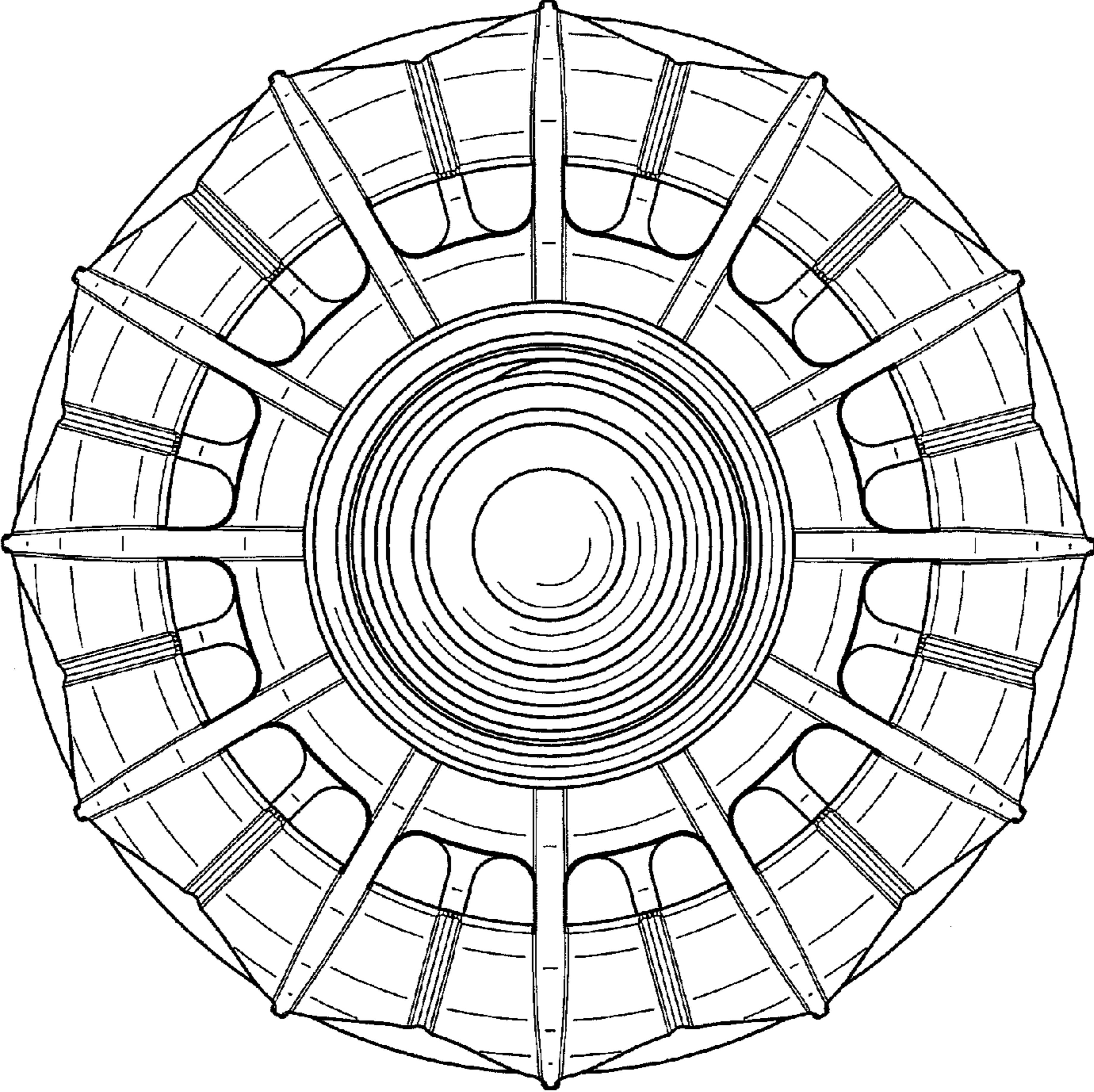


FIG. 7

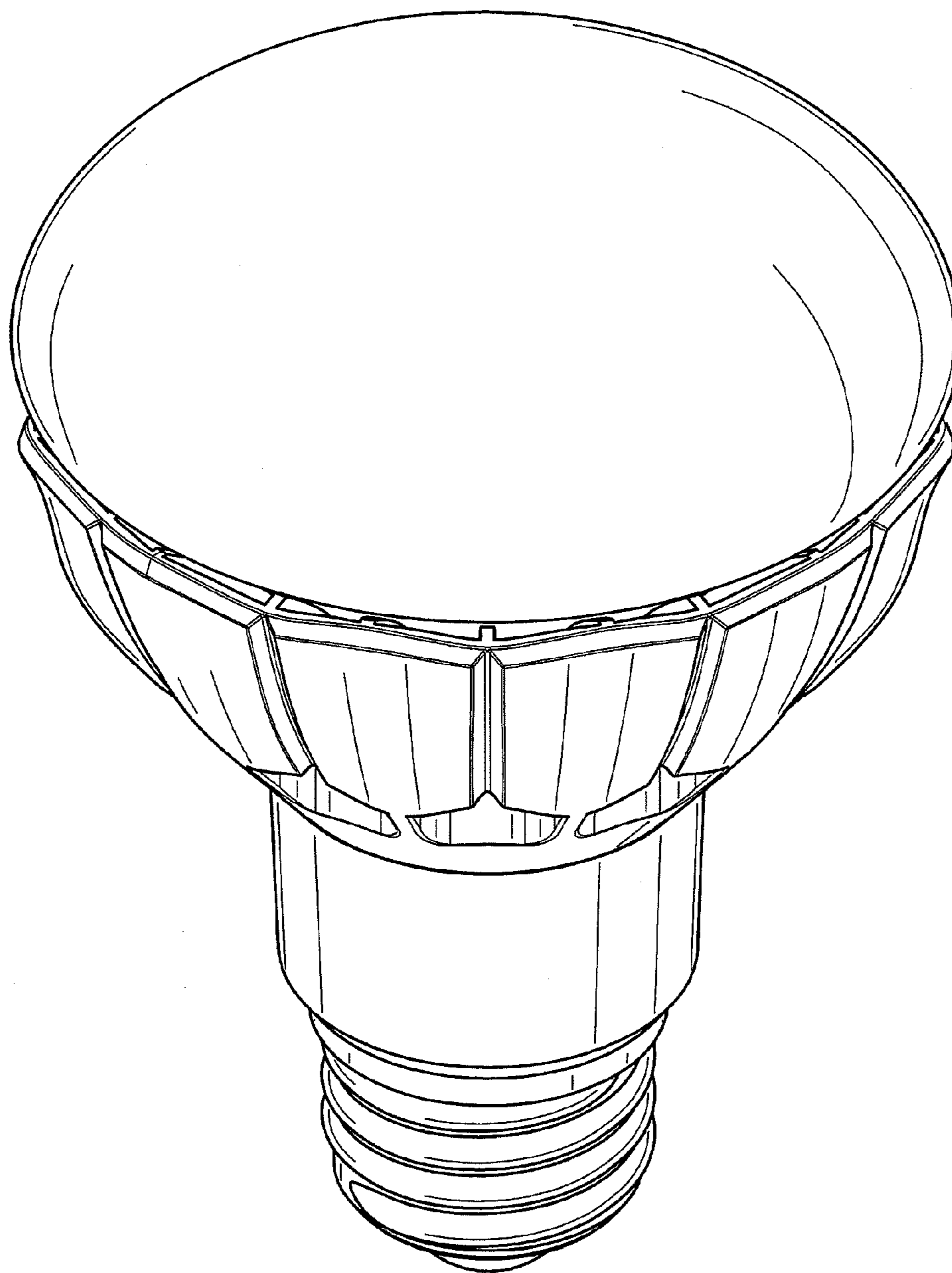


FIG. 8

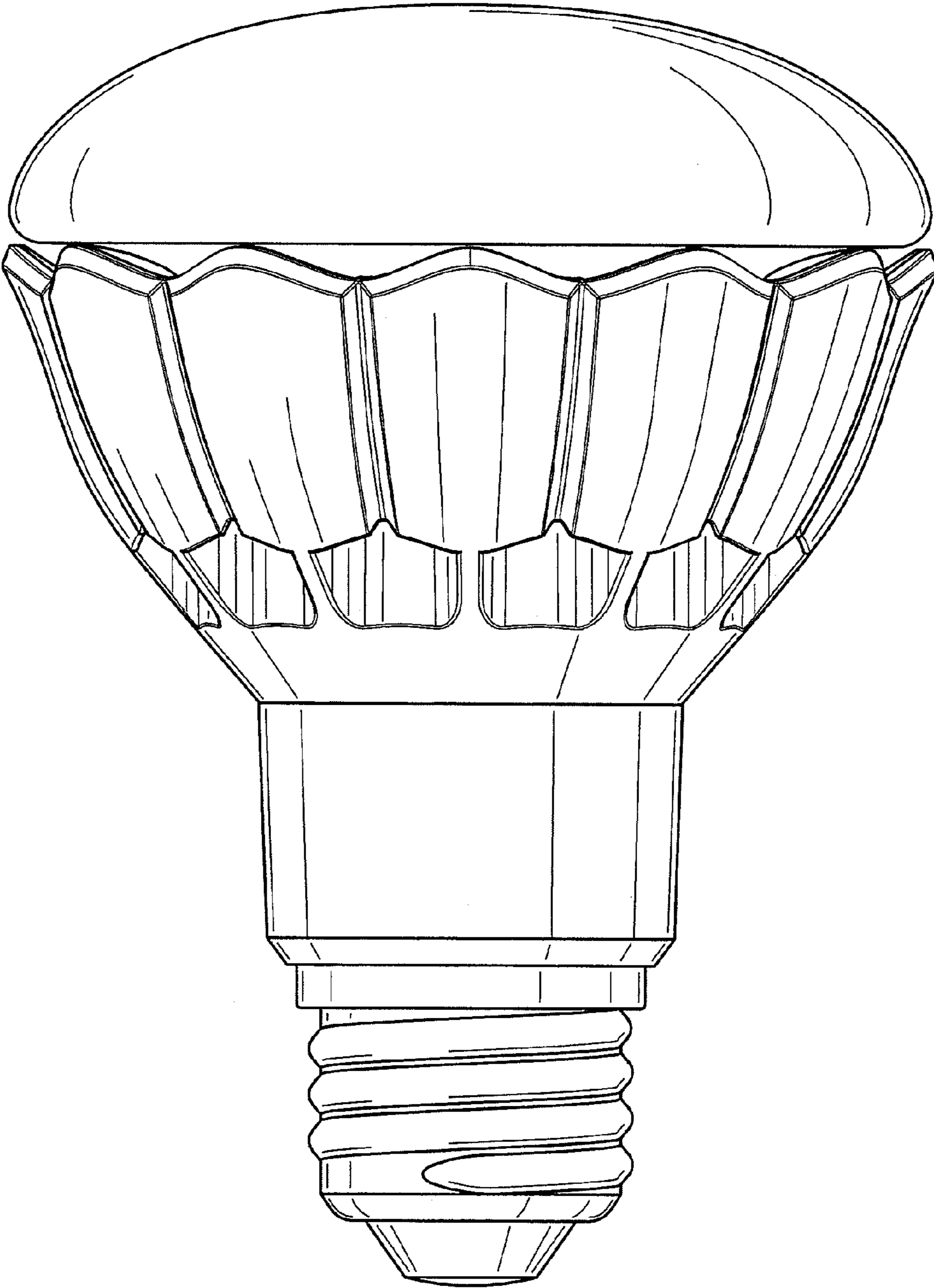


FIG. 9

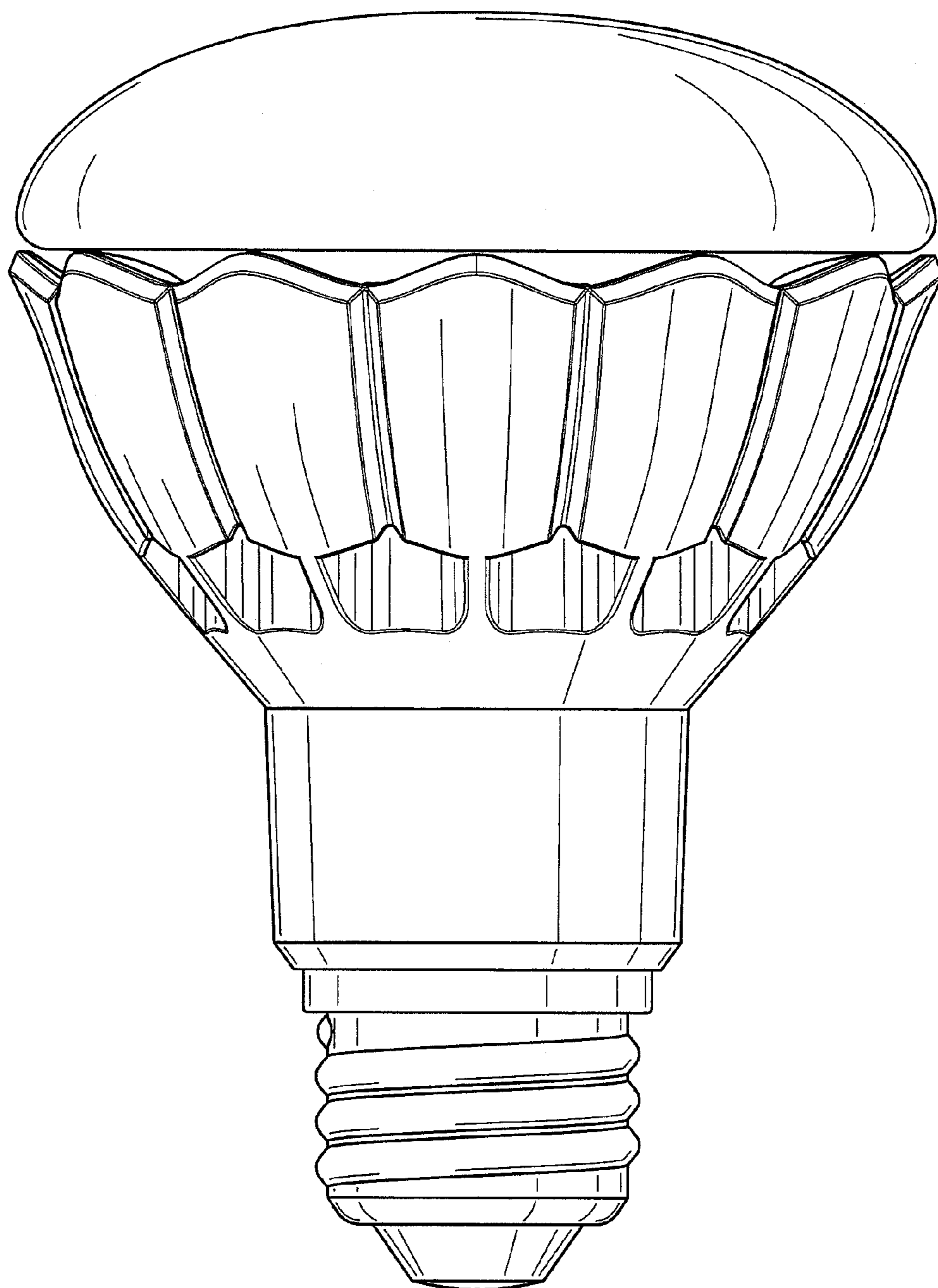


FIG. 10

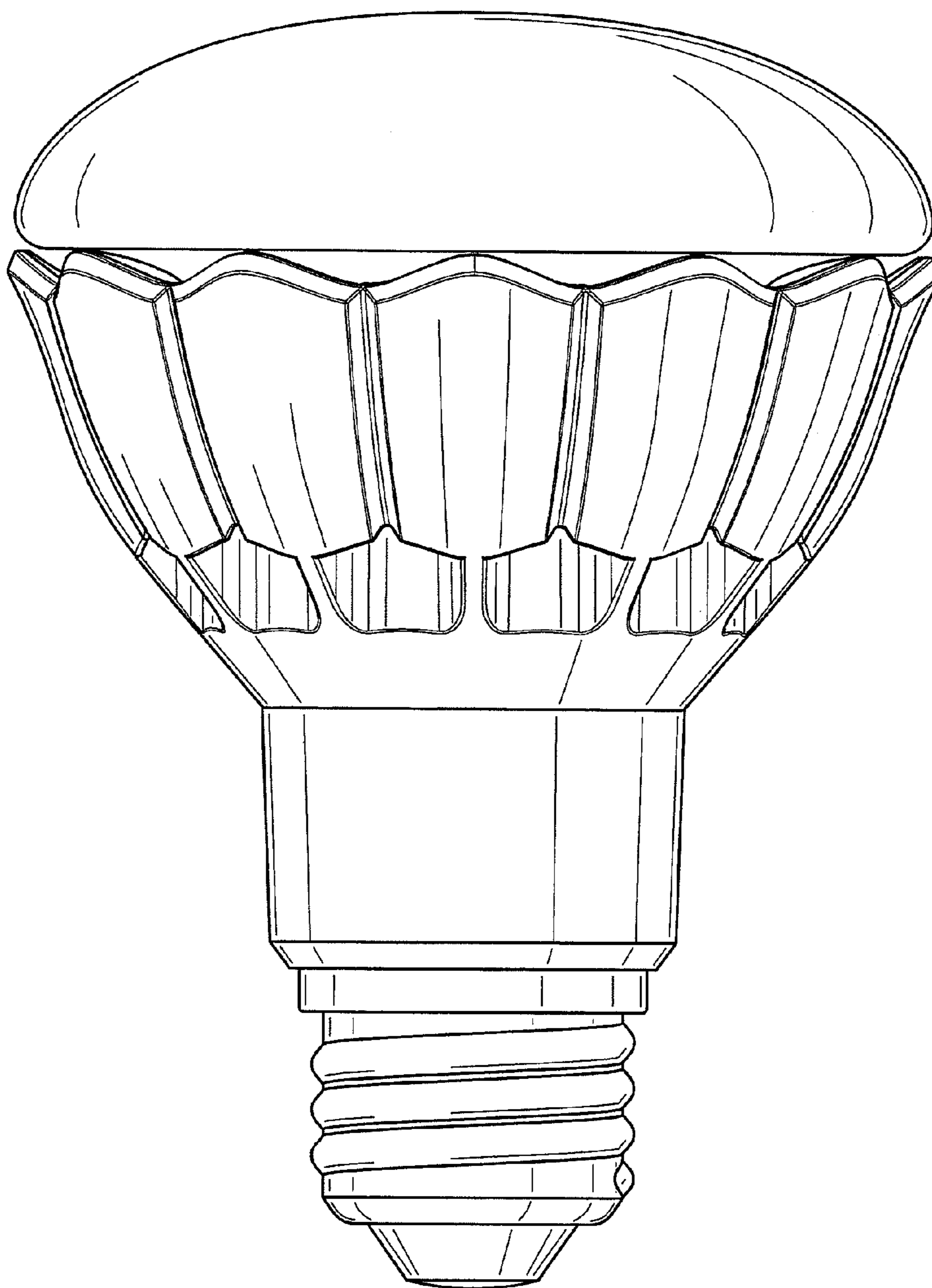


FIG. 11

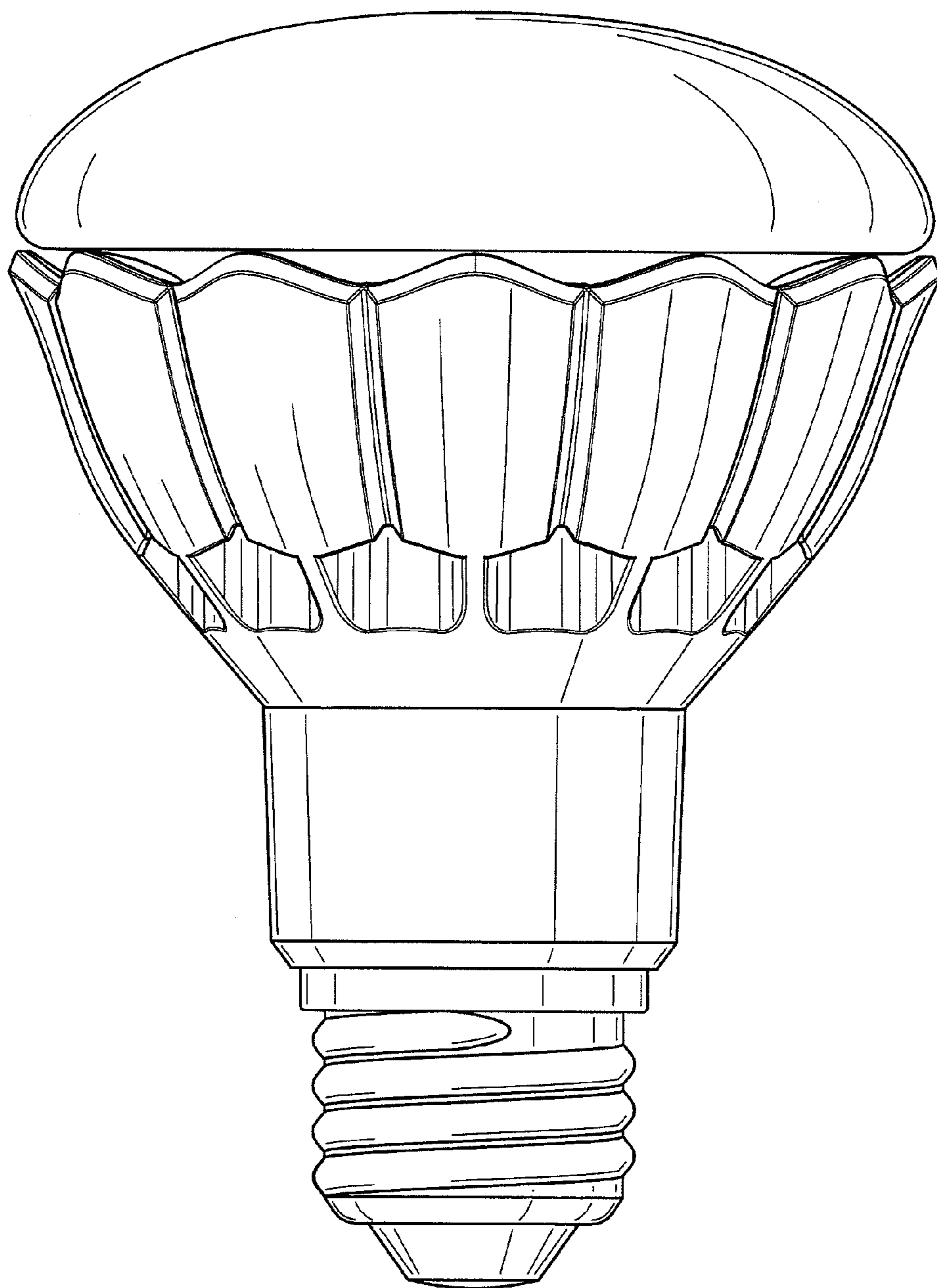


FIG. 12

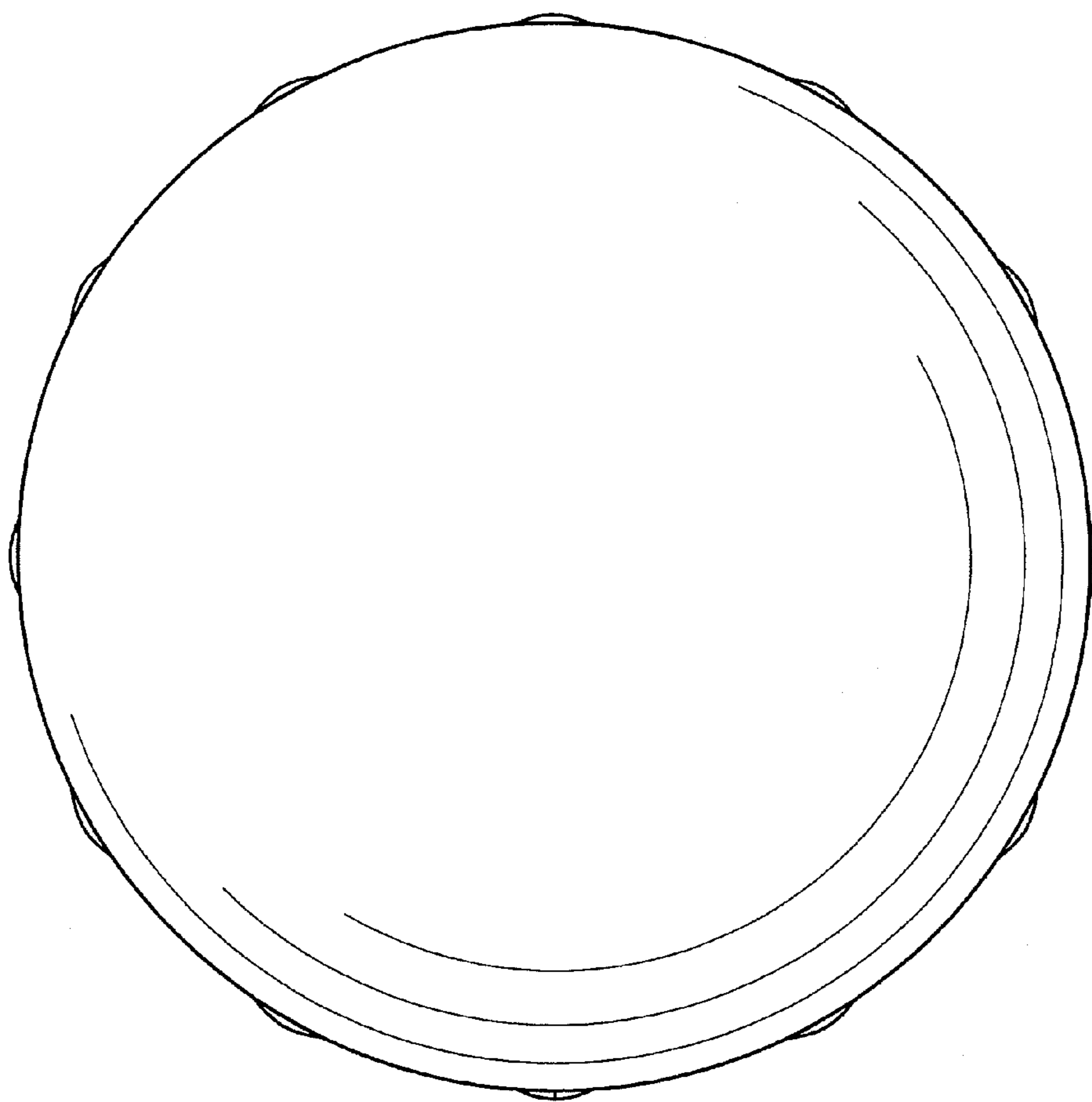


FIG. 13

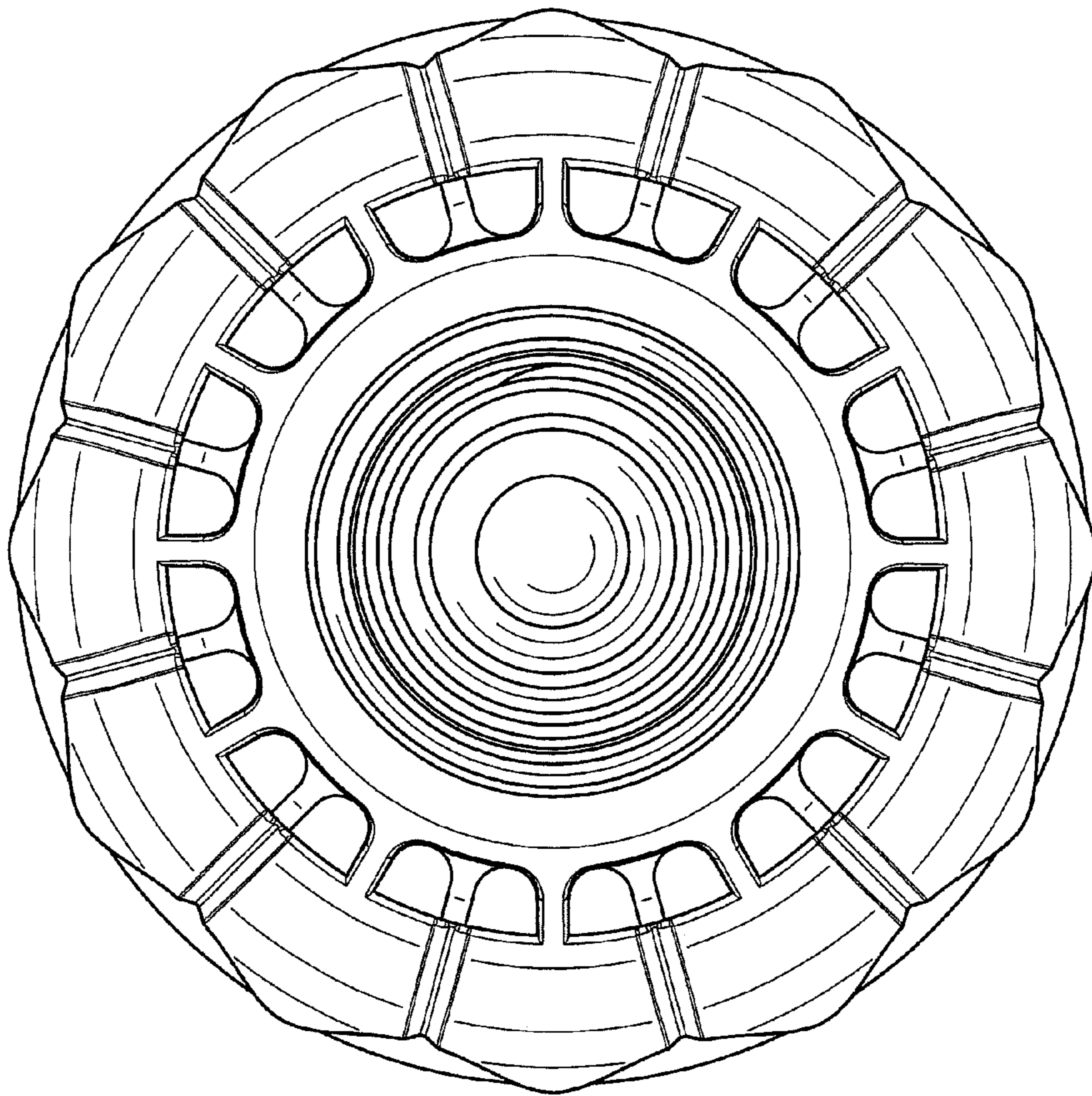


FIG. 14