



US00D700717S

(12) **United States Design Patent**  
**Campacci**

(10) **Patent No.:** **US D700,717 S**  
(45) **Date of Patent:** **\*\* Mar. 4, 2014**

(54) **COMBINED FLASHING AND DRAINAGE TRACK**

5,836,135 A \* 11/1998 Hagan et al. .... 52/836  
D486,921 S \* 2/2004 Zybert ..... D25/119

(75) Inventor: **Gary Campacci**, Woodbridge (CA)

\* cited by examiner

(73) Assignee: **DuROCK Alfacing International Ltd.**,  
Woodbridge, Ontario (CA)

*Primary Examiner* — Doris Clark

(74) *Attorney, Agent, or Firm* — Integral Intellectual  
Property Inc.; Miriam Paton

(\*\*) Term: **14 Years**

(57) **CLAIM**

(21) Appl. No.: **29/425,708**

The ornamental design for a combined flashing and drainage track, as shown and described.

(22) Filed: **Jun. 26, 2012**

**DESCRIPTION**

(51) **LOC (10) Cl.** ..... **25-01**

(52) **U.S. Cl.**  
USPC ..... **D25/119**; D25/199

(58) **Field of Classification Search**  
USPC ..... D25/119, 199, 58, 61; 52/11, 12, 13,  
52/14, 15, 94, 95, 96

See application file for complete search history.

FIG. 1 is a front view of the combined flashing and drainage track;

FIG. 2 is a cross-sectional view of the combined flashing and drainage track taken along line 2-2 of FIG. 1;

FIG. 3 is a top view of the combined flashing and drainage track; and,

FIG. 4 is a perspective view of the combined flashing and drainage track.

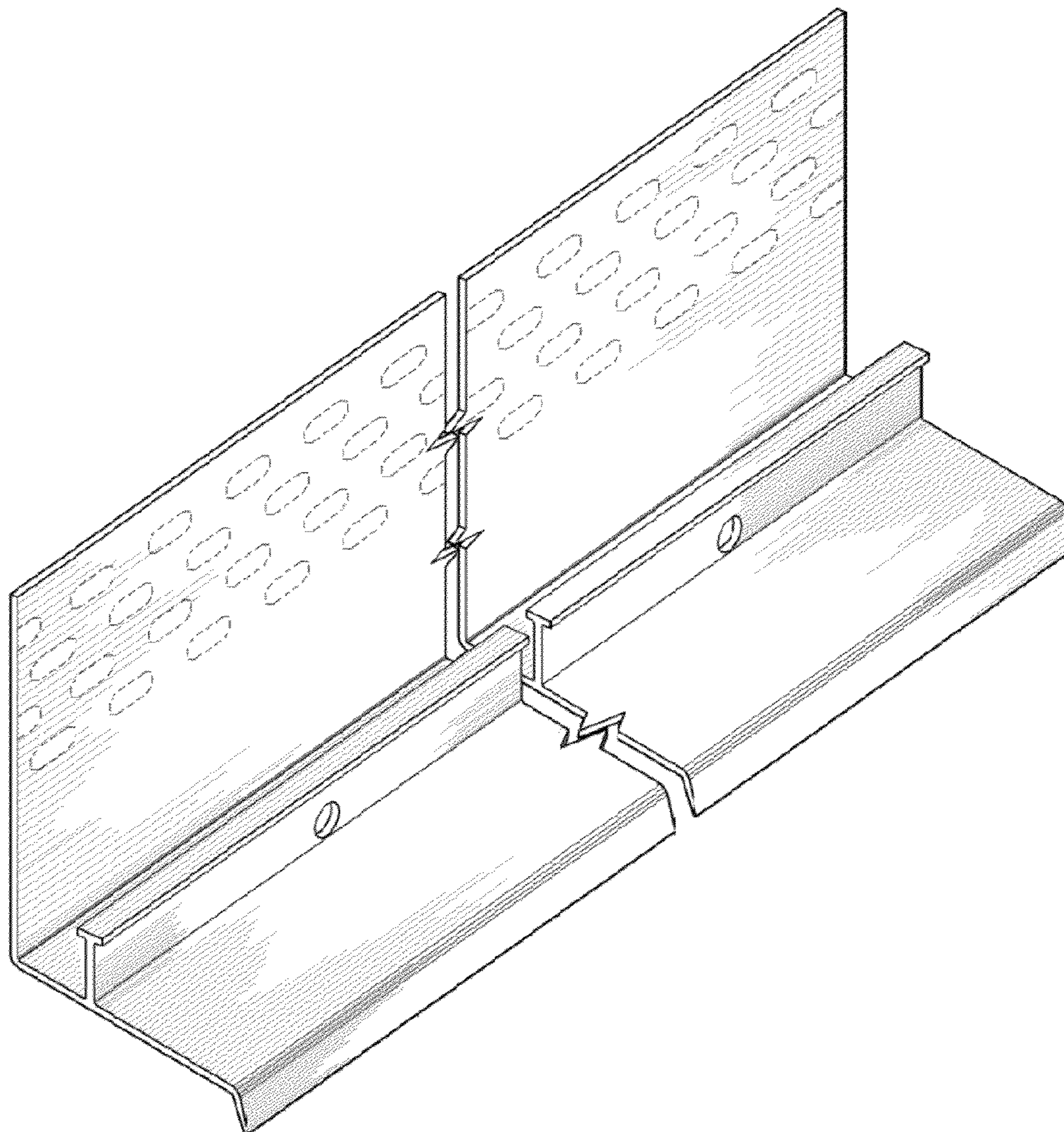
The broken lines are for illustrative purposes only and form no part of the claimed design.

(56) **References Cited**

**U.S. PATENT DOCUMENTS**

5,170,597 A \* 12/1992 Stearns ..... 52/58  
D397,810 S \* 9/1998 Basset ..... D25/199

**1 Claim, 4 Drawing Sheets**



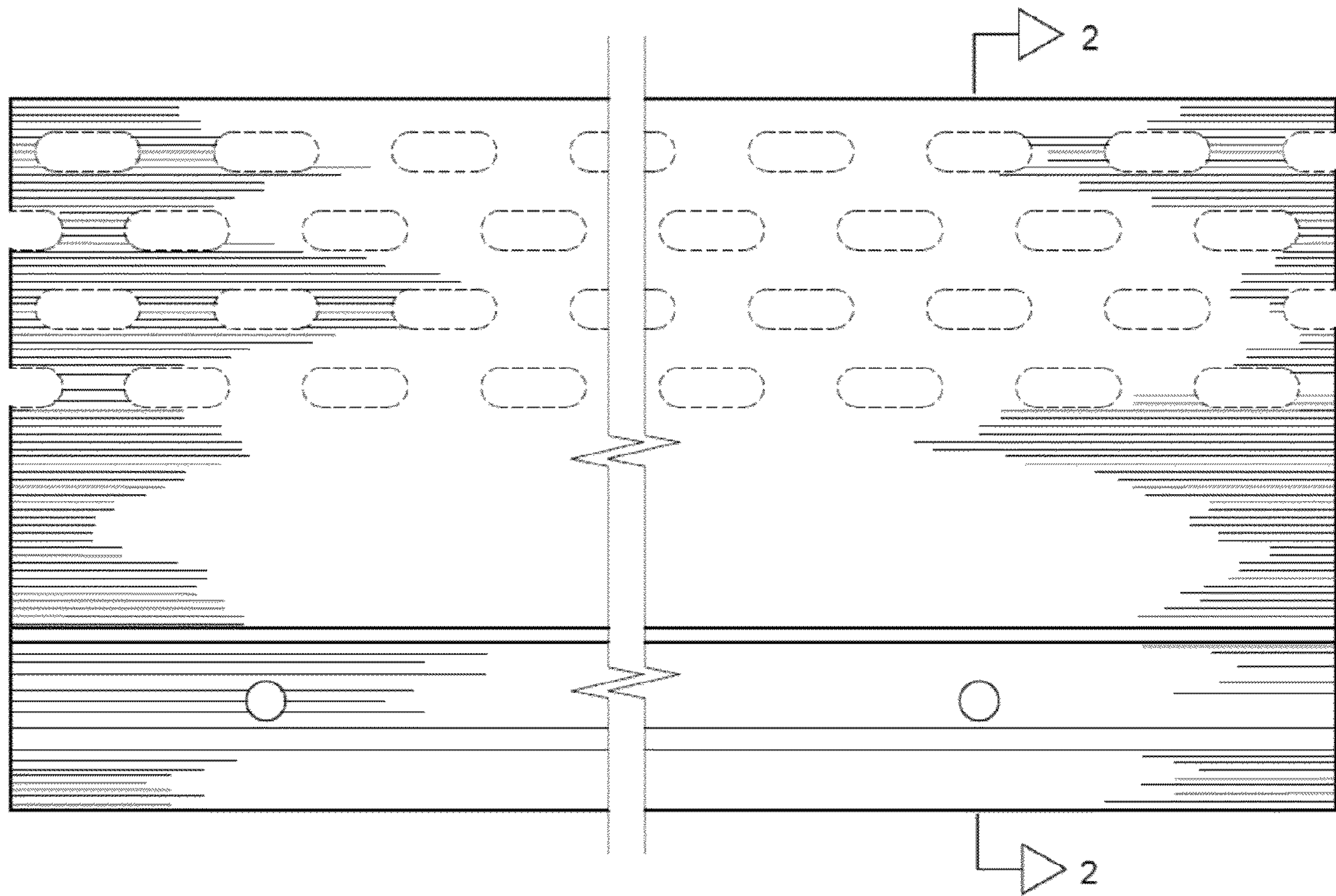


FIG. 1

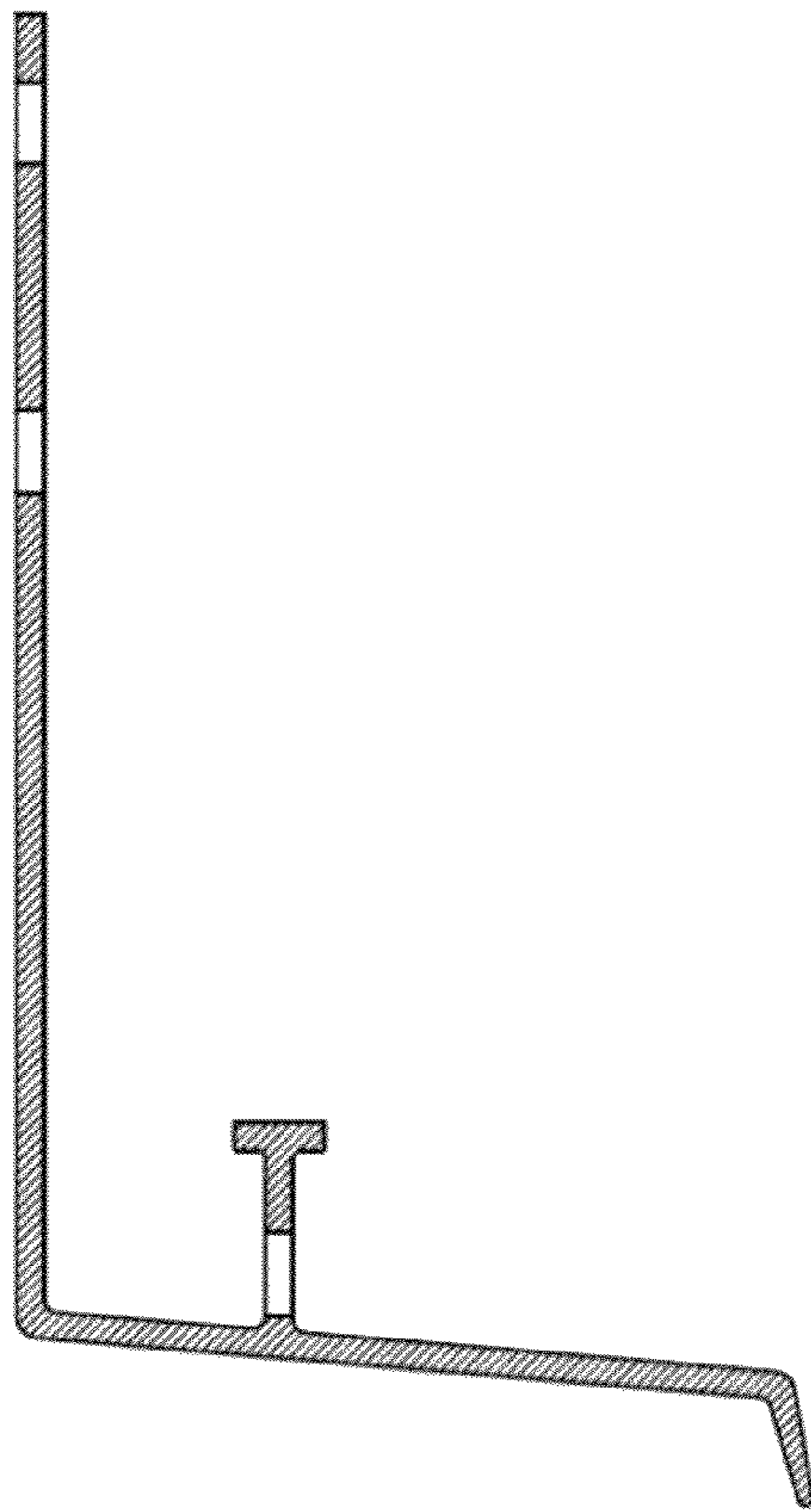


FIG. 2

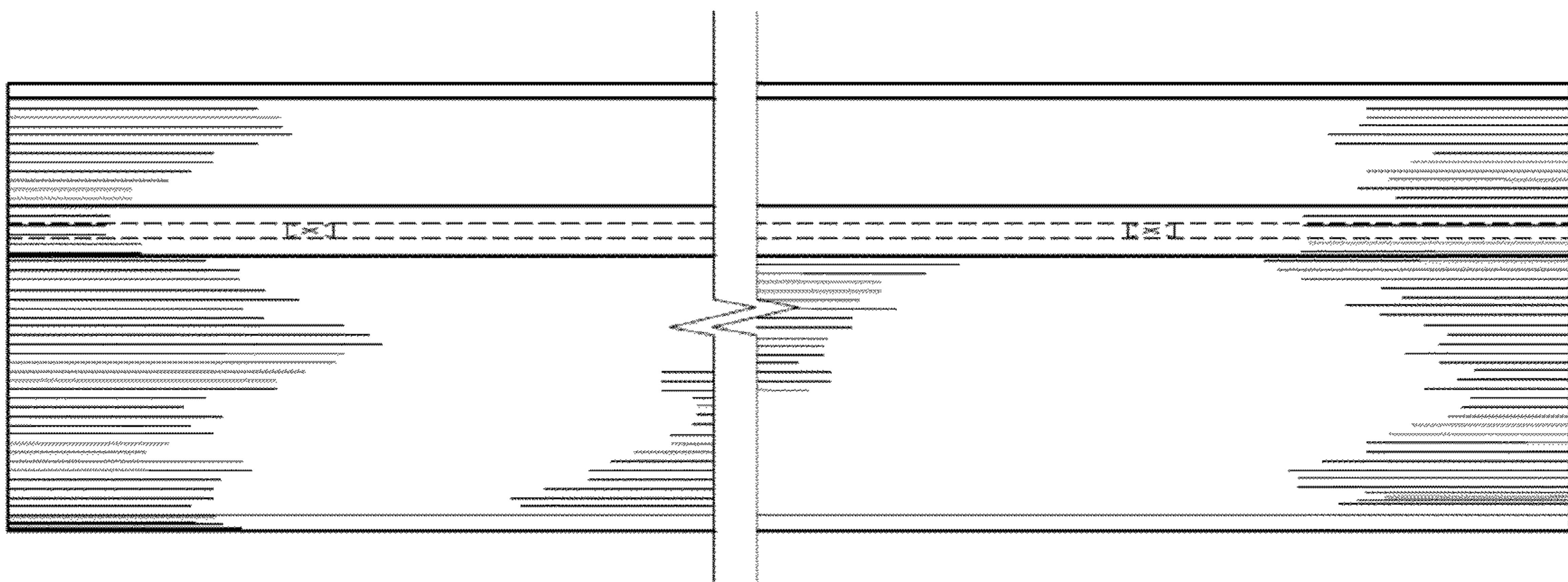


FIG. 3

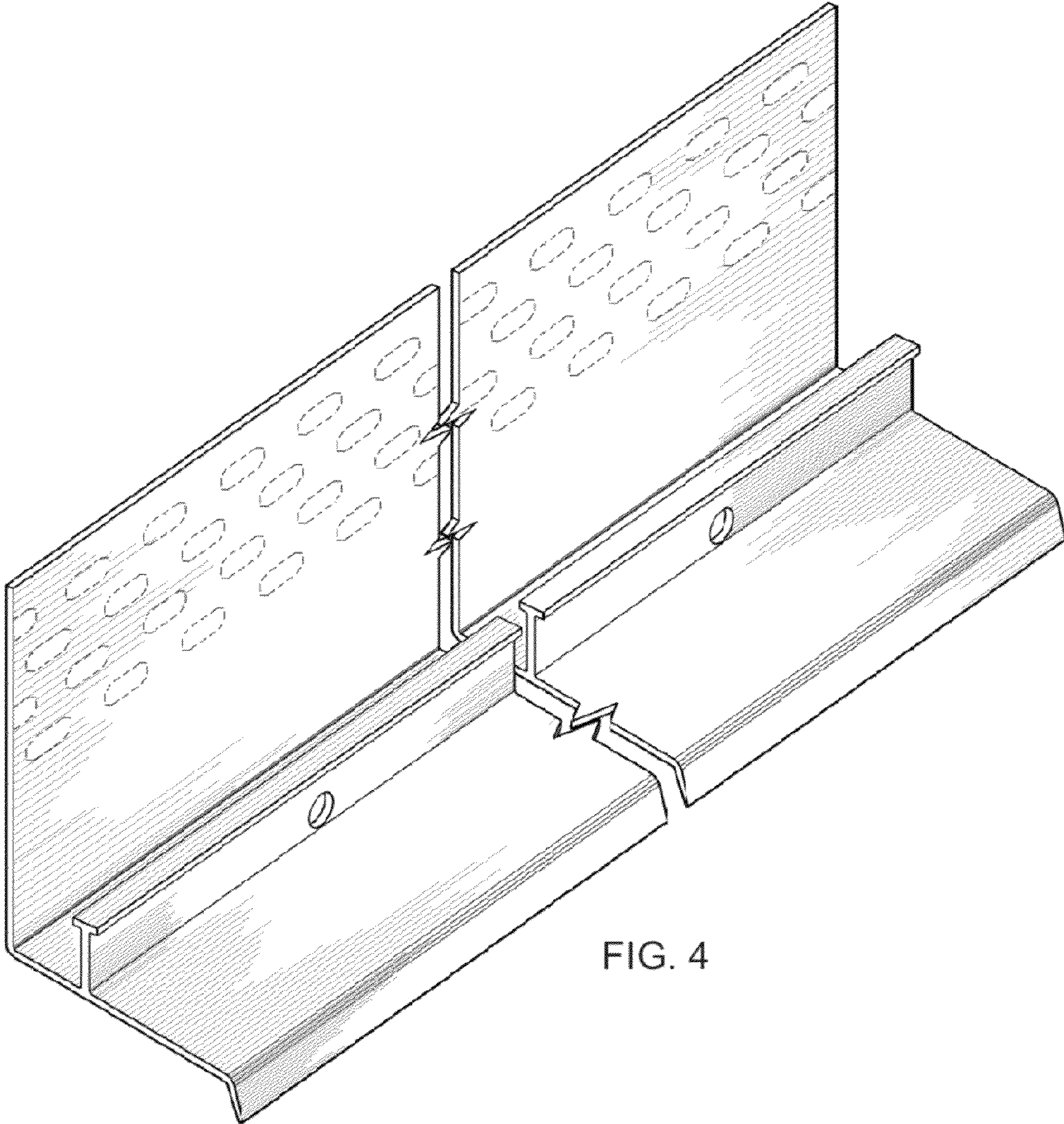


FIG. 4