

US00D700714S

(12) **United States Design Patent**
Rivera

(10) **Patent No.:** **US D700,714 S**
(45) **Date of Patent:** **** Mar. 4, 2014**

(54) **WINDOW RAIN GUARD AND WIND DEFLECTOR**

2010/0281783 A1* 11/2010 Harrington 52/2.23
* cited by examiner

(76) Inventor: **Steven D Rivera**, Kapa'au, HI (US)

Primary Examiner — Doris Clark
(74) *Attorney, Agent, or Firm* — Leighton K. Chong

(**) Term: **14 Years**

(21) Appl. No.: **29/424,263**

(57) **CLAIM**
The ornamental designs for a window rain guard and wind deflector, as shown and described.

(22) Filed: **Jun. 9, 2012**

(51) **LOC (10) Cl.** **25-02**

(52) **U.S. Cl.**
USPC **D25/48.8**

(58) **Field of Classification Search**
USPC D25/48.8; 52/202
See application file for complete search history.

DESCRIPTION

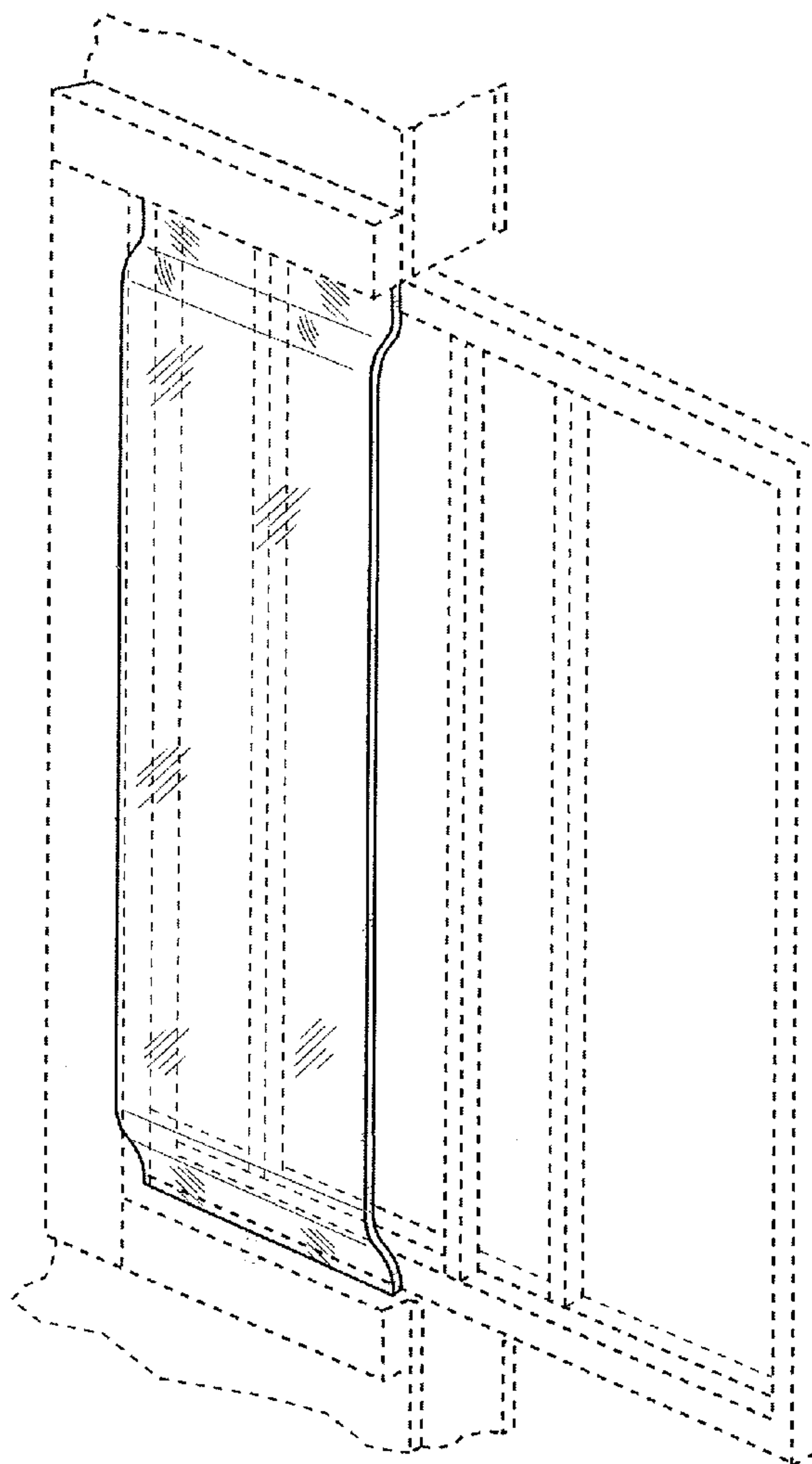
FIG. 1 is a front view of a window rain guard and wind deflector showing my new design;
FIG. 2 is a right side view thereof;
FIG. 3 is a rear view thereof;
FIG. 4 is a left side view thereof;
FIG. 5 is a top view the bottom is a mirror image thereof; and,
FIG. 6 is a perspective view thereof showing a window structure in broken lines for illustrative purposes only and forms no part of the claimed design.

(56) **References Cited**

U.S. PATENT DOCUMENTS

5,943,832 A * 8/1999 Russell 52/202
D688,807 S * 8/2013 Meeks D25/48.8

1 Claim, 2 Drawing Sheets



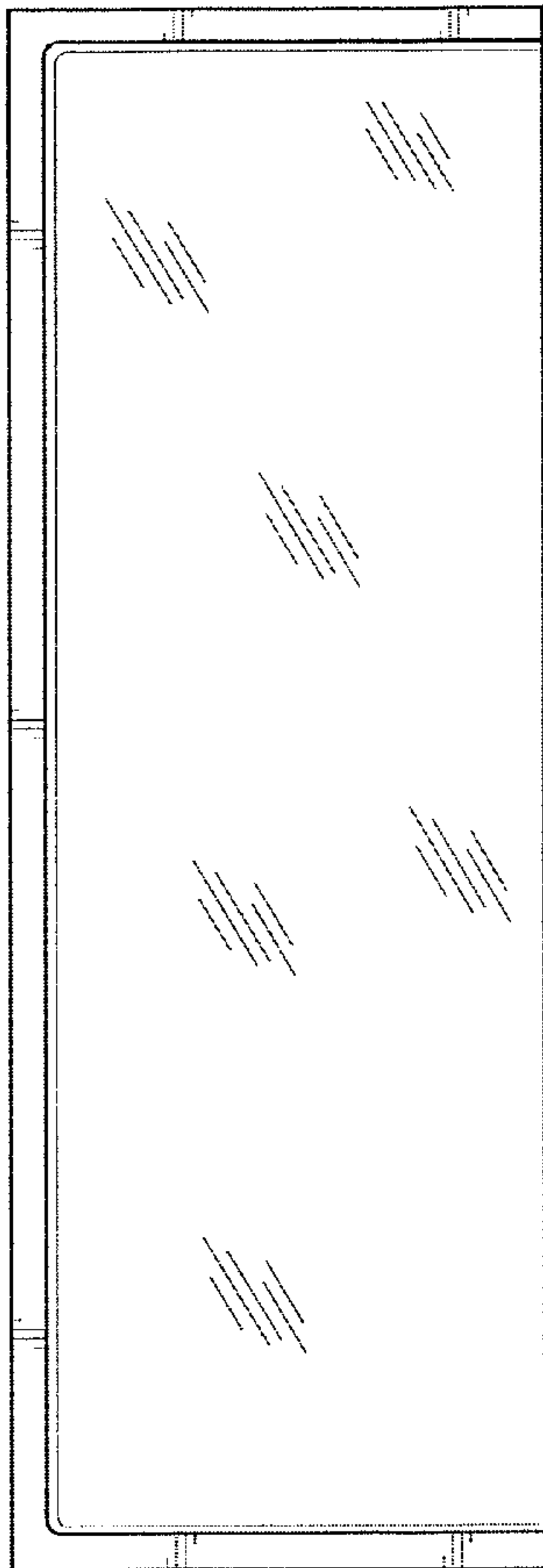


FIG. 1



FIG. 2

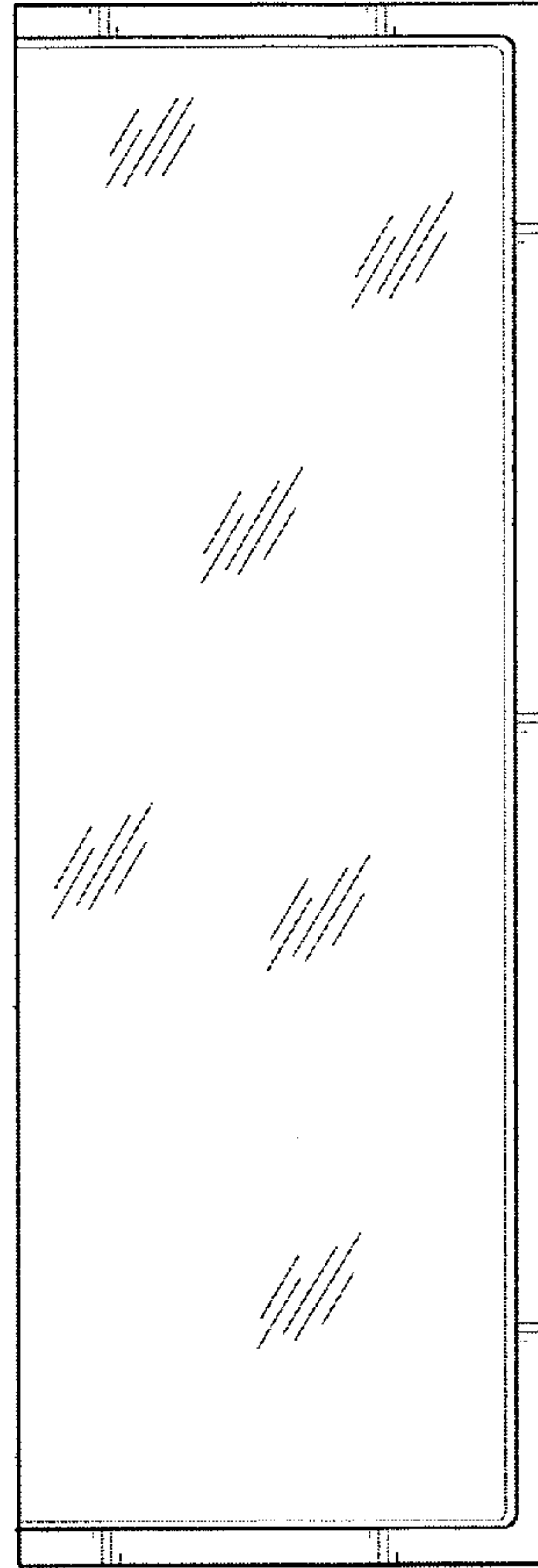


FIG. 3

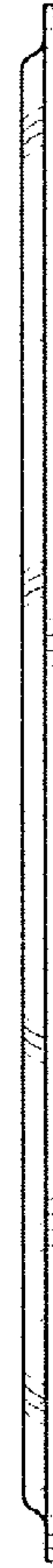


FIG. 4

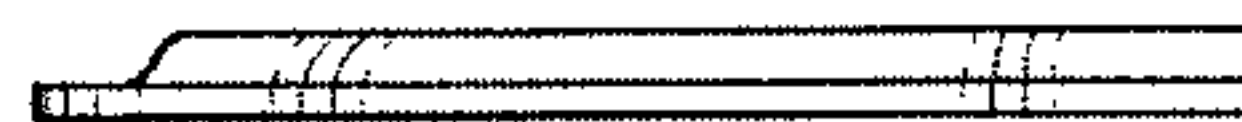


FIG. 5

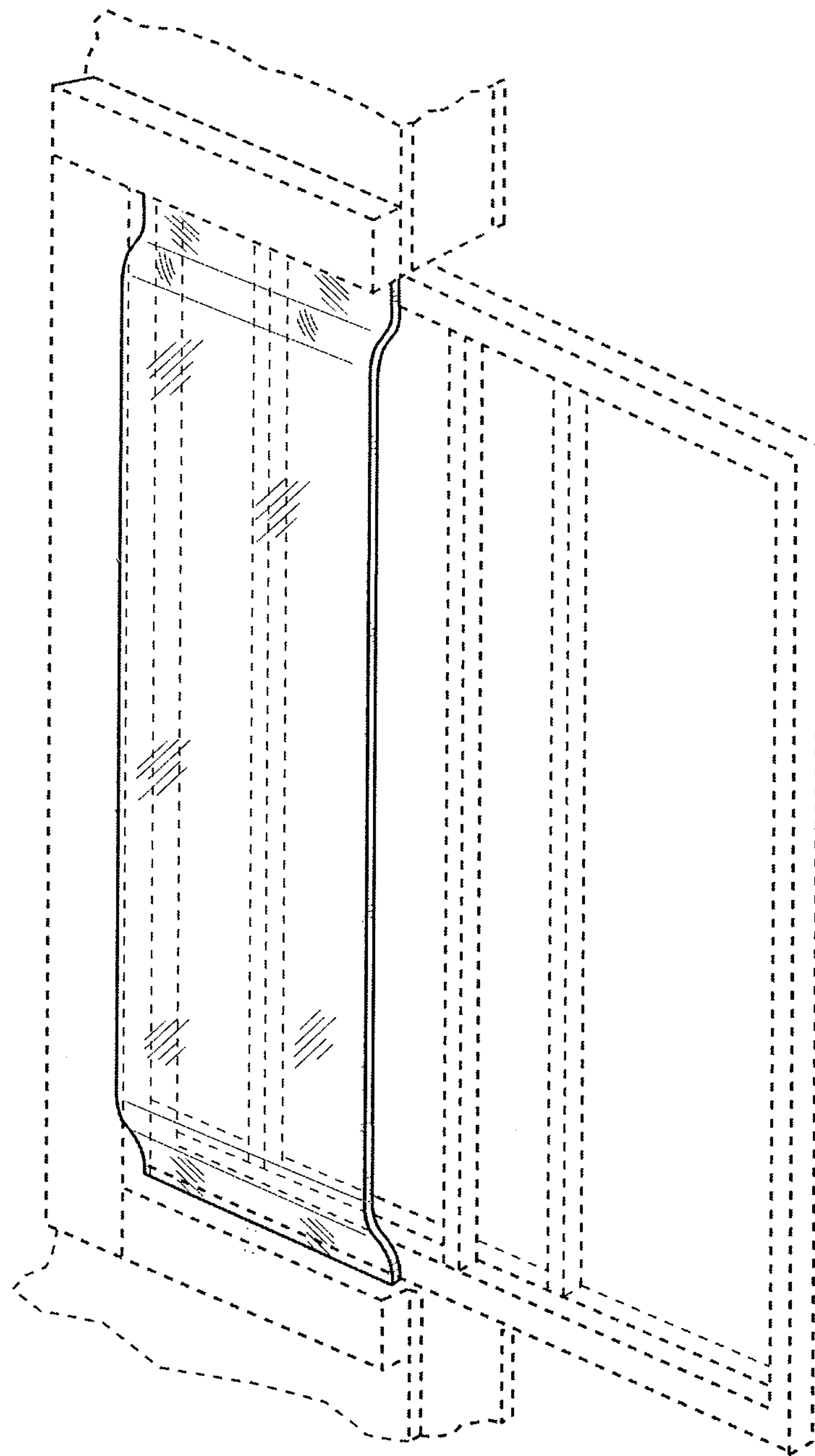


FIG. 6