



US00D700712S

(12) **United States Design Patent**  
**May et al.**

(10) **Patent No.:** **US D700,712 S**  
(45) **Date of Patent:** **\*\* Mar. 4, 2014**

(54) **PCR MULTIWELL PLATE AND CAP MAT ASSEMBLY**

(56) **References Cited**

- (71) Applicant: **Abgene Limited**, Kent (GB)
- (72) Inventors: **Simon May**, Milwaukee, WI (US);  
**Jeffrey Leonard Coulling**, Kent (GB);  
**Clive Ian Harrison**, Kent (GB); **Nicola Burbidge**, Kent (GB)
- (73) Assignee: **ABgene Limited**, Surrey (GB)
- (\*\*) Term: **14 Years**
- (21) Appl. No.: **29/451,575**
- (22) Filed: **Apr. 4, 2013**

U.S. PATENT DOCUMENTS

4,483,925 A	11/1984	Noack	
4,956,150 A *	9/1990	Henry .....	422/553
5,683,659 A *	11/1997	Hovatter .....	422/548
D420,743 S	2/2000	Monks	
6,027,694 A *	2/2000	Boulton et al. ....	422/553
6,106,783 A	8/2000	Gamble	
6,136,273 A	10/2000	Seguin et al.	
D441,091 S	4/2001	Day	
D441,092 S	4/2001	Coulling et al.	
D445,907 S	7/2001	Monks	
6,455,005 B1	9/2002	Berray et al.	
D464,734 S	10/2002	Berna et al.	
D469,544 S	1/2003	Lafond et al.	
6,558,631 B1	5/2003	Day	
D477,416 S	7/2003	Roberts et al.	
6,884,615 B2	4/2005	Suzuki et al.	
6,887,432 B2	5/2005	Kansy et al.	

(Continued)

**Related U.S. Application Data**

(62) Division of application No. 29/414,839, filed on Mar. 5, 2012, now Pat. No. Des. 679,830.

*Primary Examiner* — Anhdao Doan

(74) *Attorney, Agent, or Firm* — Wood, Herron & Evans, LLP

(30) **Foreign Application Priority Data**

Sep. 7, 2011	(EP)	001913690-0001
Sep. 7, 2011	(EP)	001913690-0002
Sep. 7, 2011	(EP)	001913690-0003
Sep. 7, 2011	(EP)	001913690-0004
Sep. 7, 2011	(EP)	001913690-0005
Sep. 7, 2011	(EP)	001913690-0006

(57) **CLAIM**

We claim the ornamental design for a PCR multiwell plate and cap mat assembly, as shown and described.

(51) **LOC (10) Cl.** ..... **24-01**

(52) **U.S. Cl.**  
USPC ..... **D24/224**

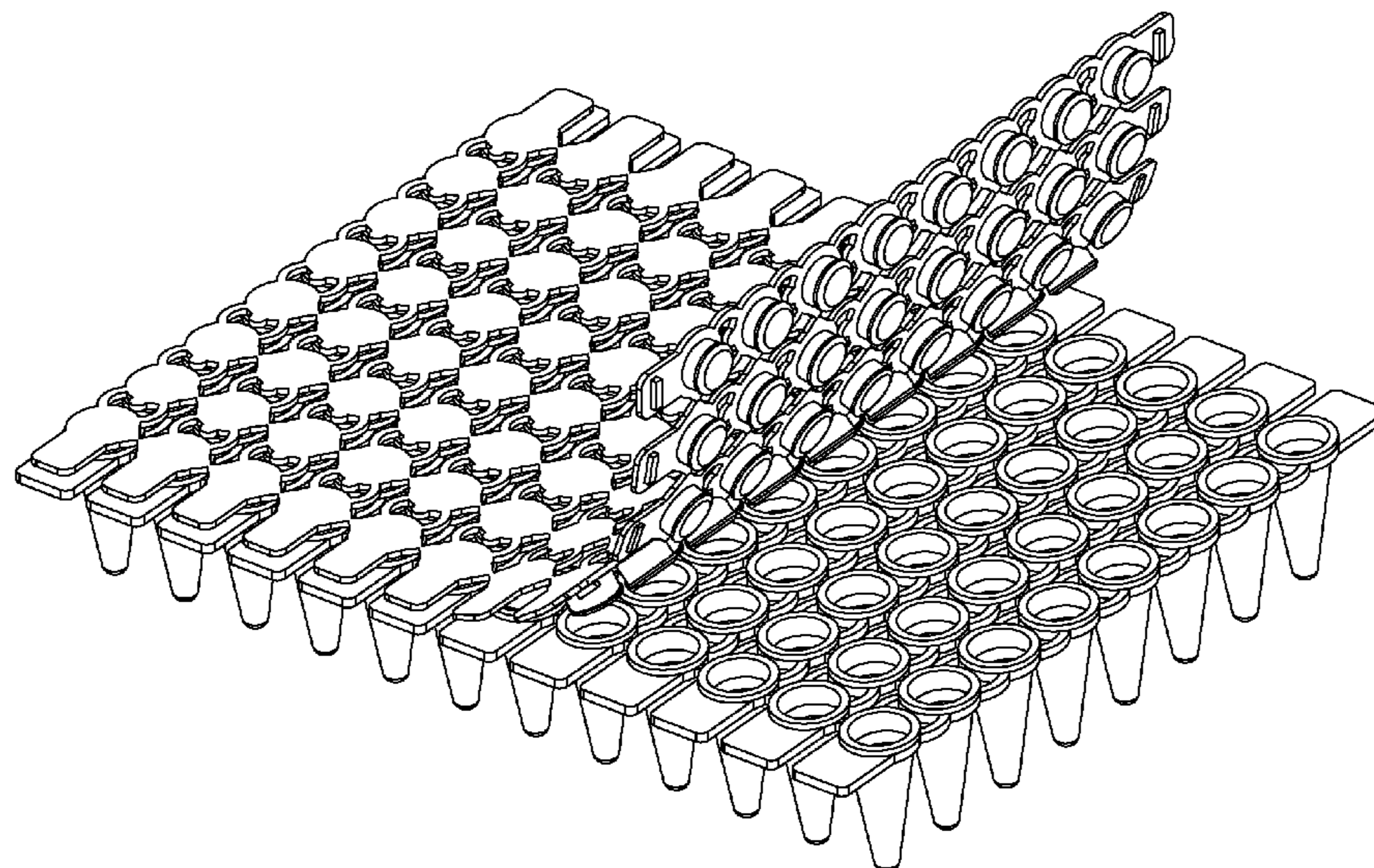
**DESCRIPTION**

(58) **Field of Classification Search**  
USPC ..... D24/216, 219, 223–226, 227, 229–231,  
D24/232, 121; D10/81; 422/500, 547,  
422/551–554, 550, 568, 569;  
435/305.1–305.4

FIG. 1 is a top plan view of a PCR multiwell plate and cap mat assembly showing our new design;  
FIG. 2 is a front view thereof with a portion in cross section;  
FIG. 3 is an enlarged view of the encircled area shown in FIG. 2;  
FIG. 4 is a side view thereof;  
FIG. 5 is a bottom plan view thereof;  
FIG. 6 is a top perspective view thereof in a partially exposed position; and,  
FIG. 7 is a top perspective view thereof.

See application file for complete search history.

**1 Claim, 3 Drawing Sheets**



# US D700,712 S

Page 2

---

(56)

## References Cited

### U.S. PATENT DOCUMENTS

D574,506 S 8/2008 Monks  
D598,566 S 8/2009 Allaer  
D605,303 S 12/2009 Monks

D608,013 S 1/2010 Coulling et al.  
D684,703 S \* 6/2013 Watzele et al. .... D24/224  
2011/0064630 A1 3/2011 Coulling et al.  
2011/0286897 A1 11/2011 Uschkureit et al.  
2013/0029343 A1\* 1/2013 Day et al. .... 422/547

\* cited by examiner

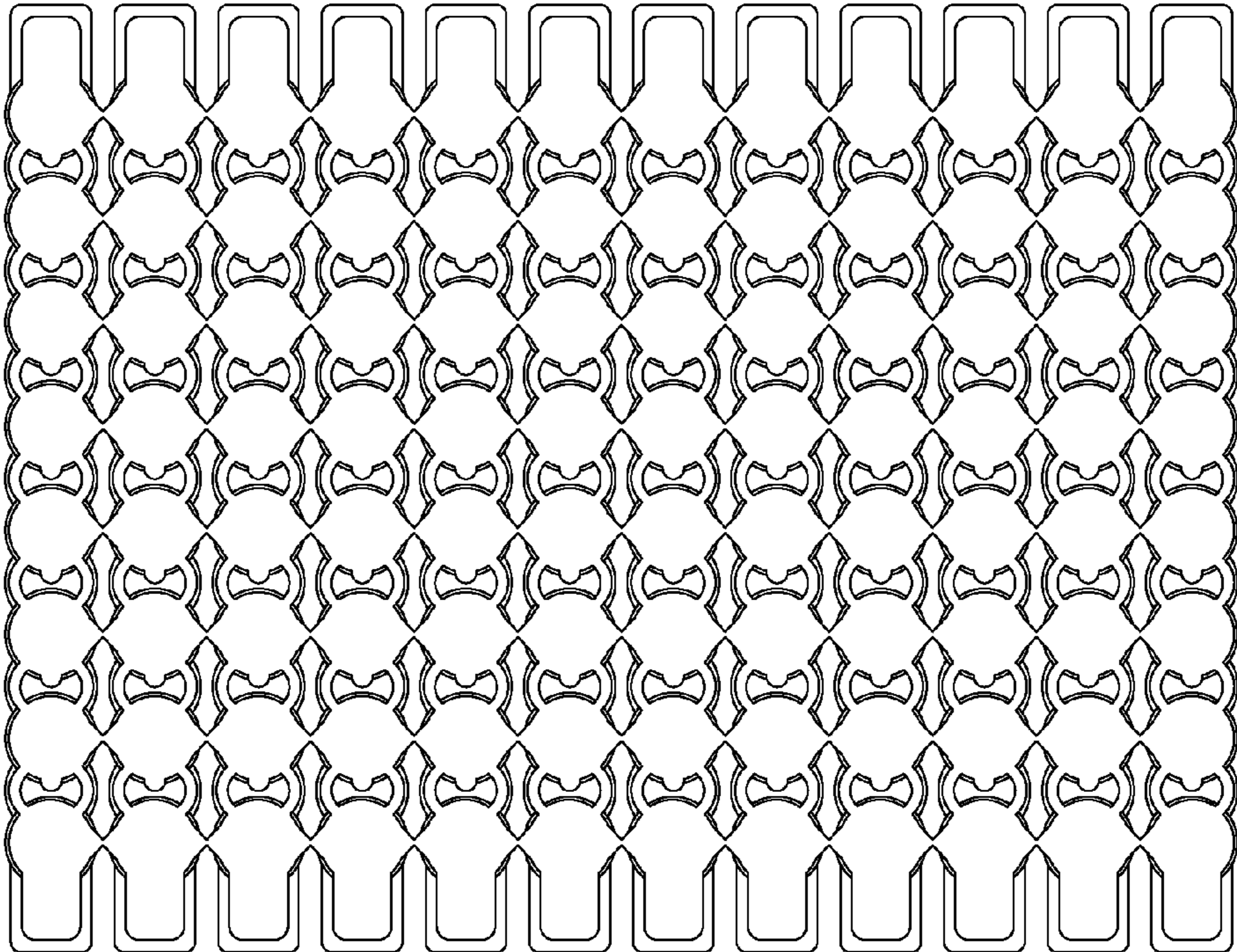


FIG. 1

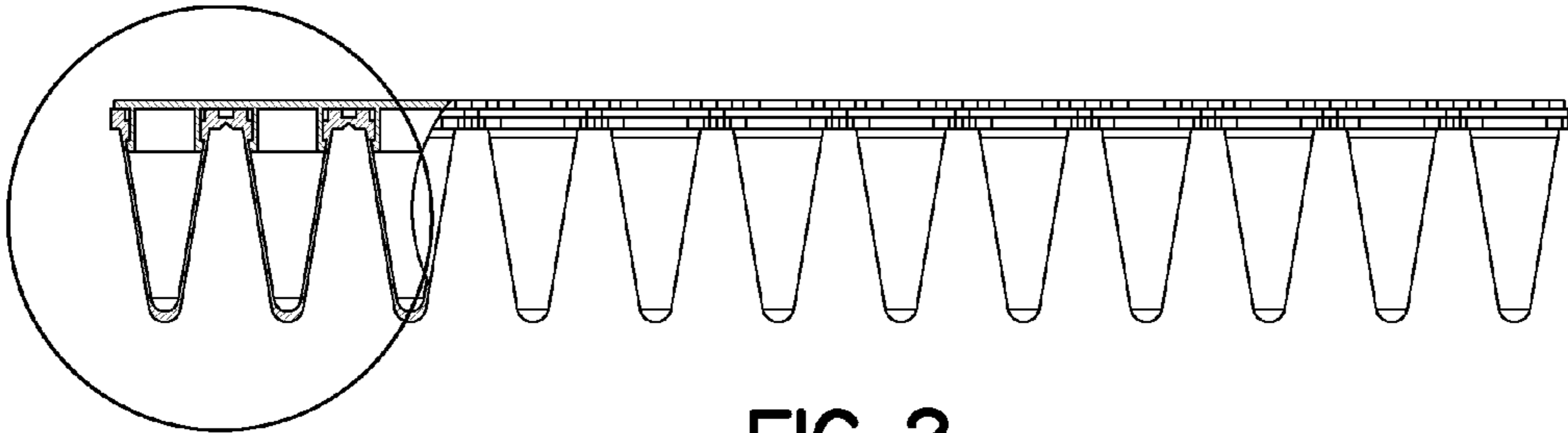


FIG. 2



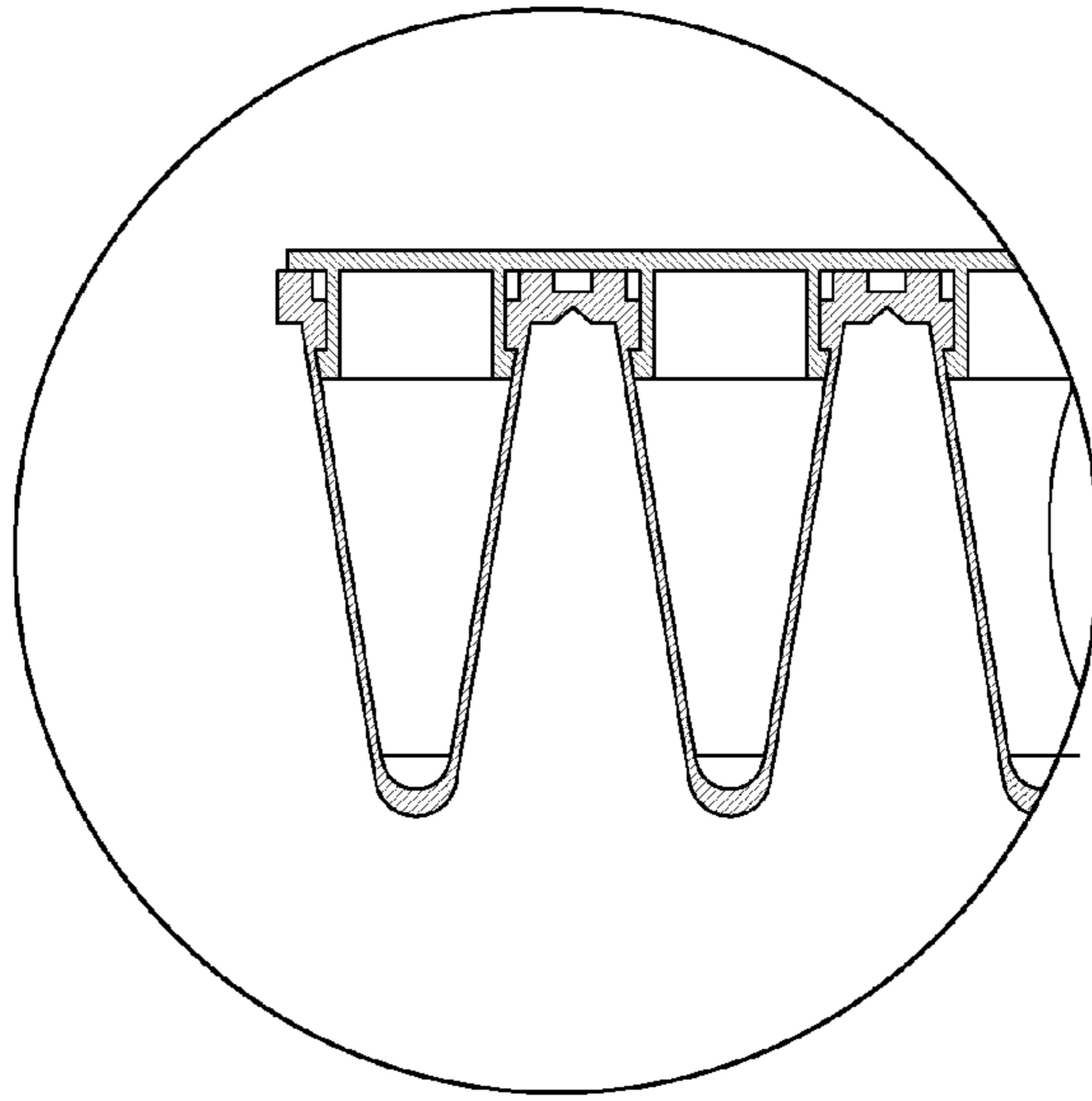


FIG. 3

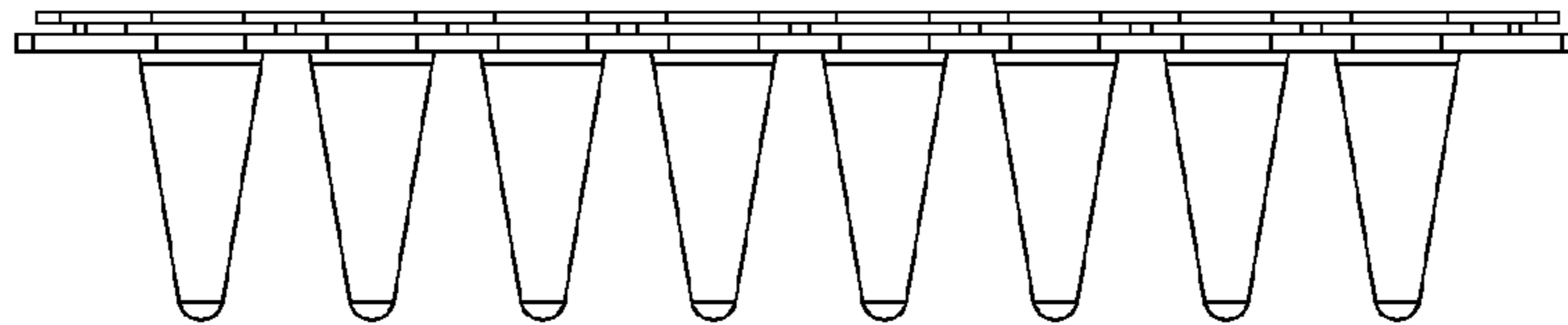


FIG. 4

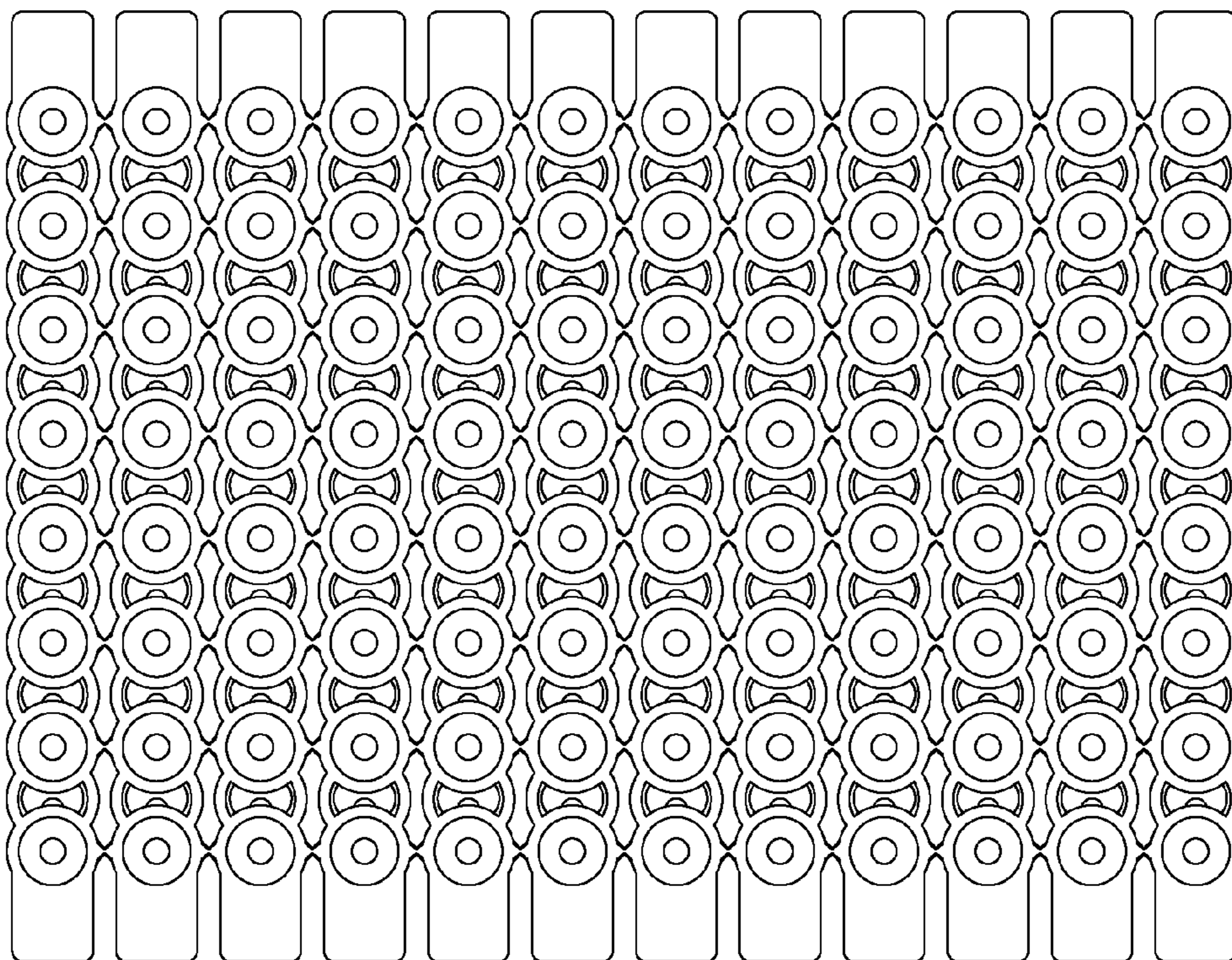


FIG. 5

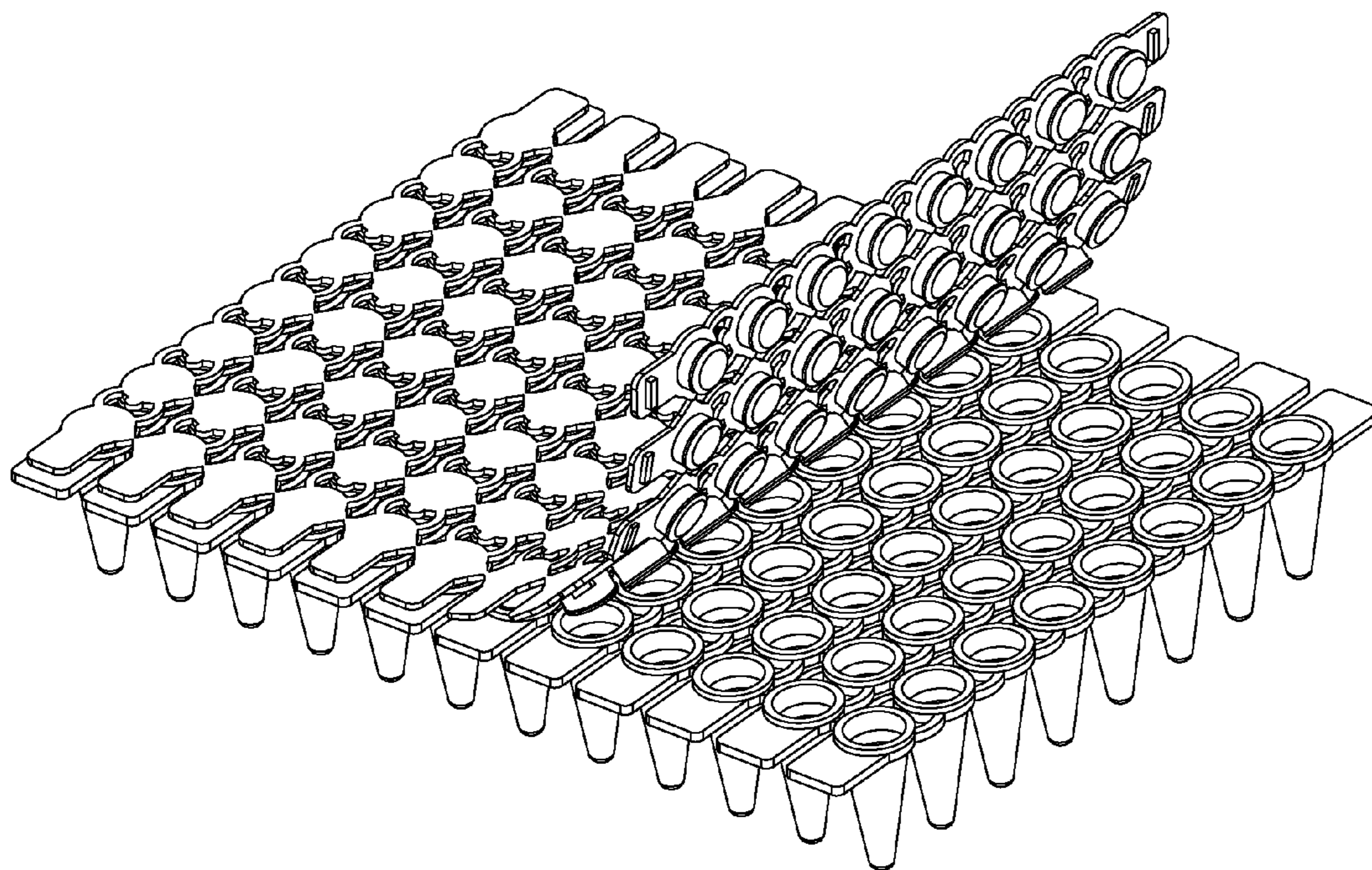


FIG. 6

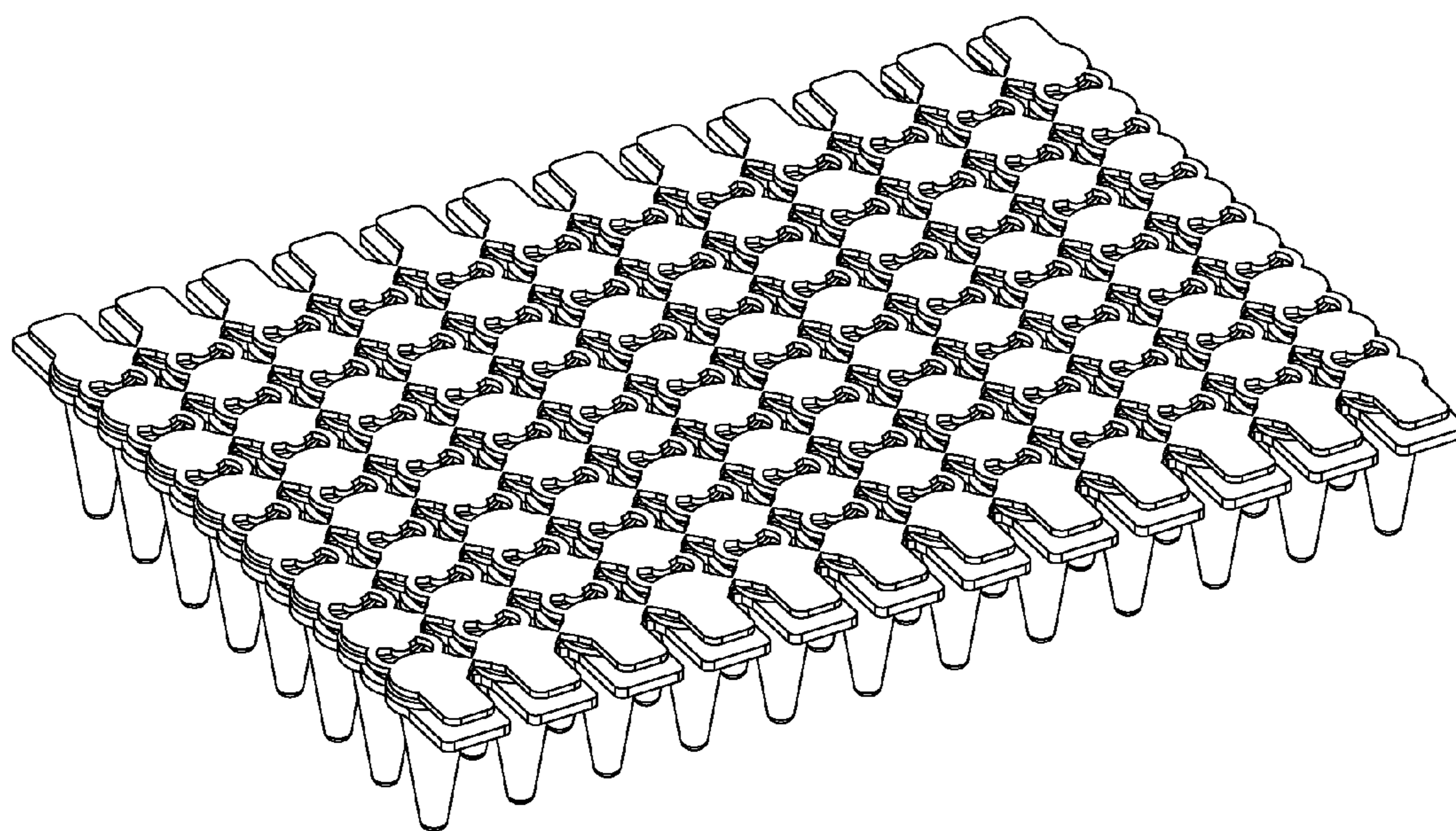


FIG. 7