



US00D700710S

(12) **United States Design Patent**
Meziere

(10) **Patent No.:** **US D700,710 S**
(45) **Date of Patent:** **** Mar. 4, 2014**

(54) **BIO IMAGING DEVICE**

(75) Inventor: **Cyril Meziere**, Villeurbanne (FR)

(73) Assignee: **bioMerieux Societe Anonyme a Conseil d'Administration**, Marcy l'Etoile (FR)

(**) Term: **14 Years**

(21) Appl. No.: **29/416,997**

(22) Filed: **Mar. 29, 2012**

(51) **LOC (10) Cl.** **24-01**

(52) **U.S. Cl.**
USPC **D24/216**

(58) **Field of Classification Search**
USPC D24/216, 217, 219, 223, 231, 232, 233,
D24/107, 169, 186, 158; D10/81;
422/62-65, 67, 500, 547; 436/43, 45,
436/47; 435/287.1, 287.3, 288.7, 808;
D16/130, 131; 356/302-305

See application file for complete search history.

(56) **References Cited**

U.S. PATENT DOCUMENTS

D377,455 S *	1/1997	Burchard et al.	D24/169
D410,080 S *	5/1999	Heidsiek et al.	D24/107
D503,808 S *	4/2005	Stokes et al.	D24/216
D515,707 S *	2/2006	Shinohara et al.	D24/216
D630,535 S *	1/2011	Hoshino	D10/81
D648,035 S *	11/2011	Philipak et al.	D24/216
D662,431 S *	6/2012	Kimura	D10/81

D670,400 S *	11/2012	O'Sullivan et al.	D24/216
D674,830 S *	1/2013	Stoiakine	D16/131
2007/0077550 A1 *	4/2007	Tohma et al.	435/287.1

OTHER PUBLICATIONS

U.S. Appl. No. 29/395,784, Meziere, C.

* cited by examiner

Primary Examiner — Anhdao Doan

(74) *Attorney, Agent, or Firm* — Winstead PC

(57) **CLAIM**

The ornamental design for a bio imaging device, as shown and described.

DESCRIPTION

This application incorporates by reference the disclosure of U.S. design patent application Ser. No. 29/395,784 filed on Mar. 29, 2013.

FIG. 1 is a perspective view of the bio imaging device, showing the new design;

FIG. 2 is a top plan view thereof;

FIG. 3 is a left side view thereof;

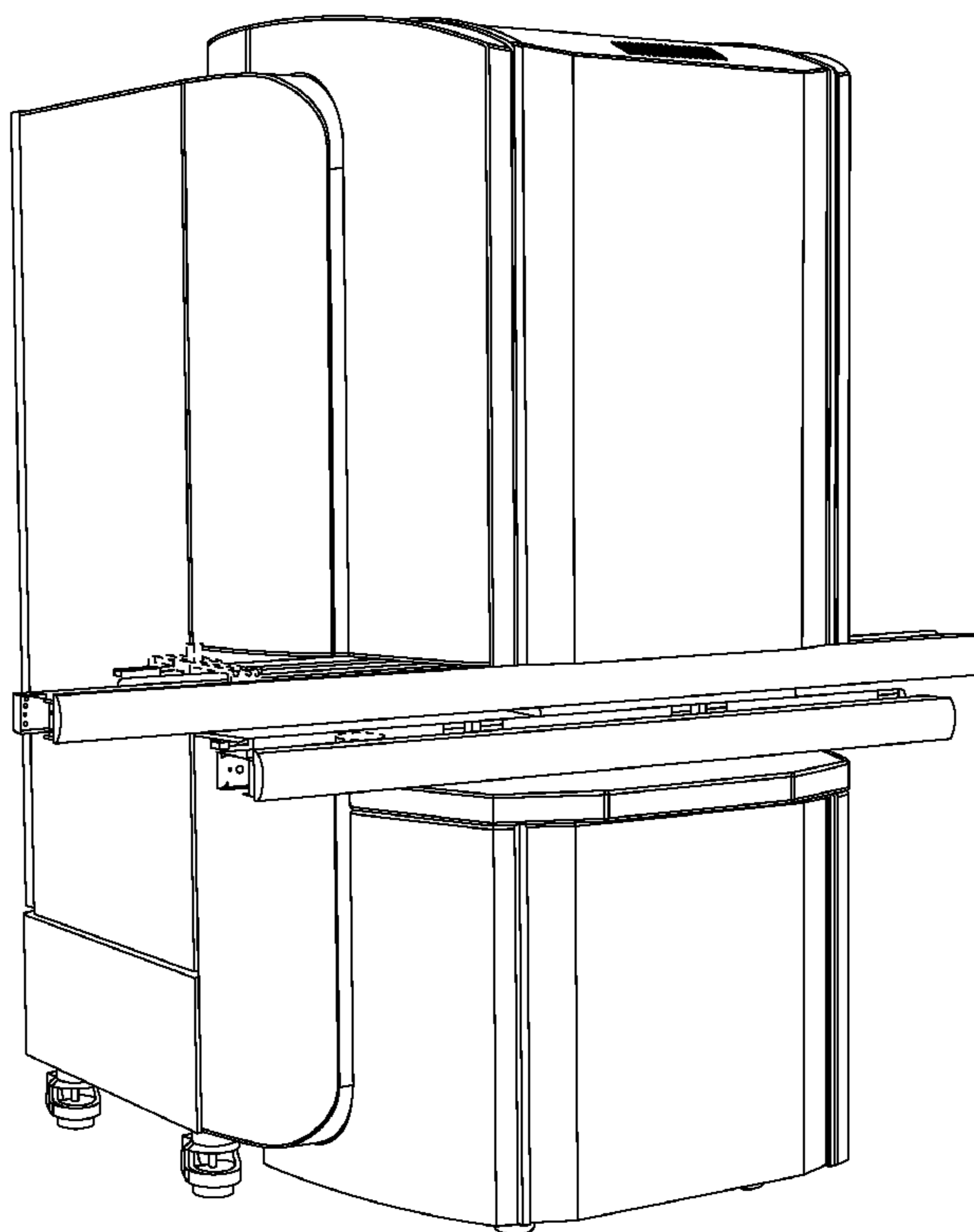
FIG. 4 is a right side view thereof;

FIG. 5 is a front view thereof; and,

FIG. 6 is a rear view thereof.

The broken lines in the drawing views are included for the purpose of illustrating portions of the bio imaging device that form no part of the claimed design.

1 Claim, 6 Drawing Sheets



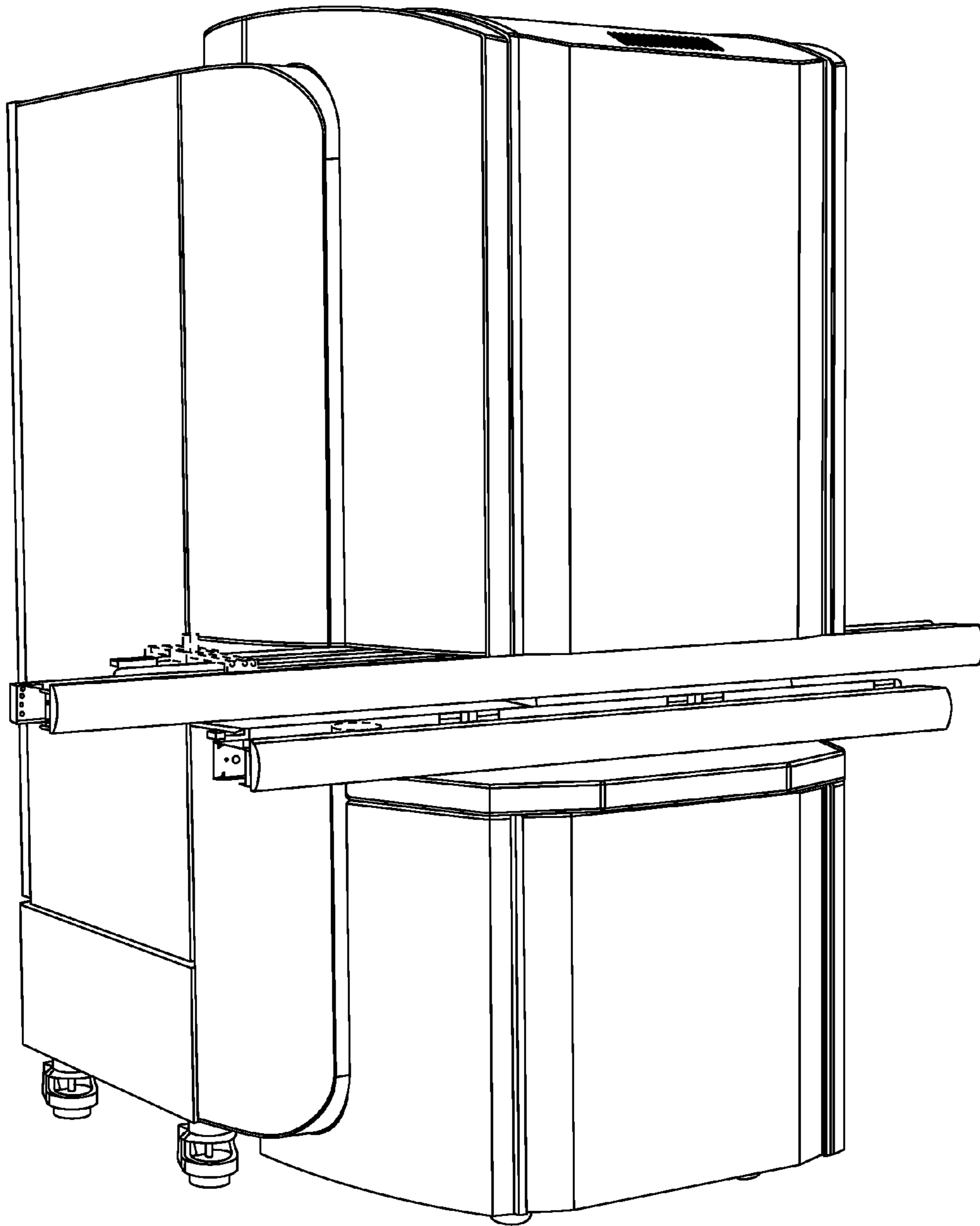


FIG. 1

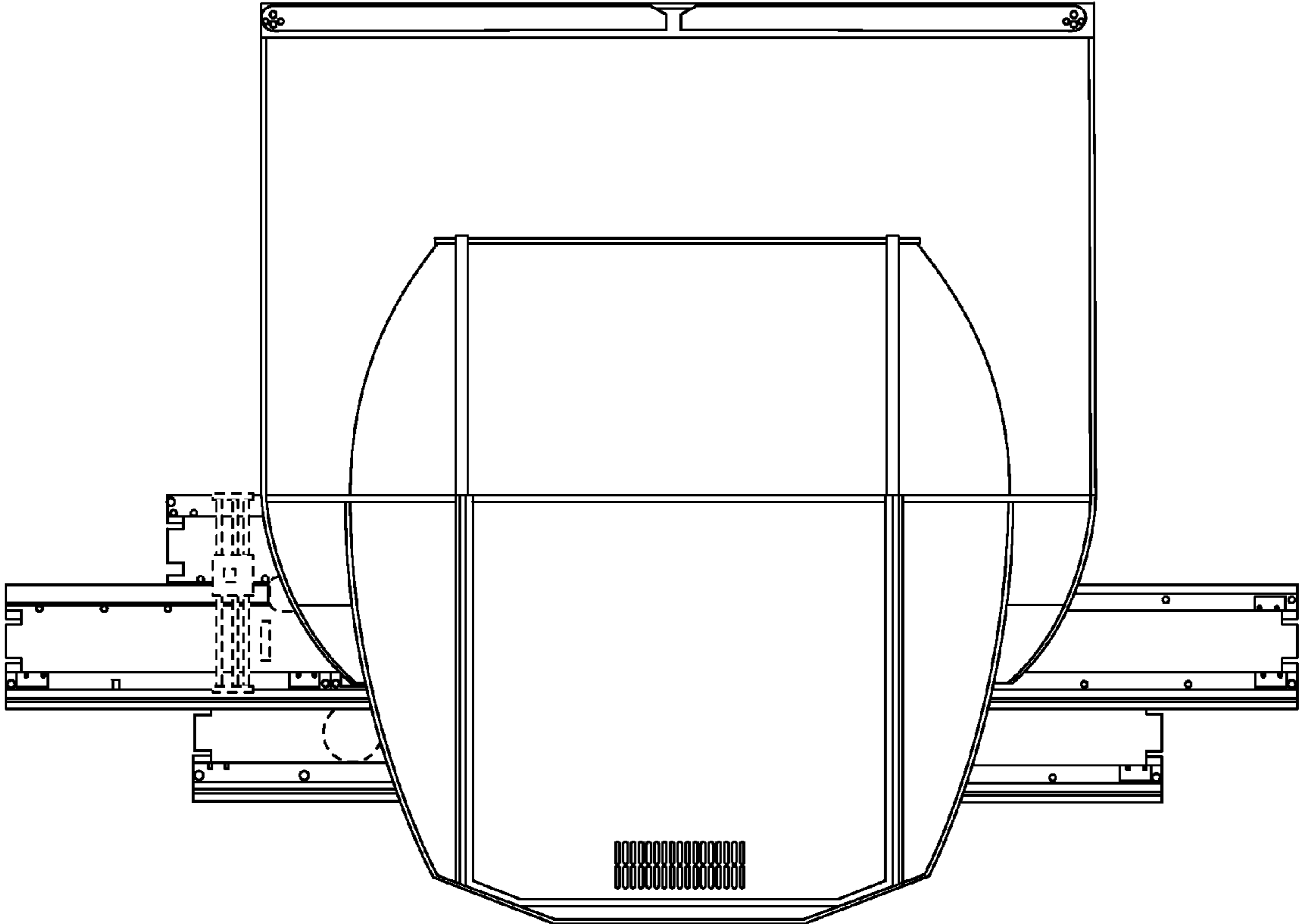


FIG. 2

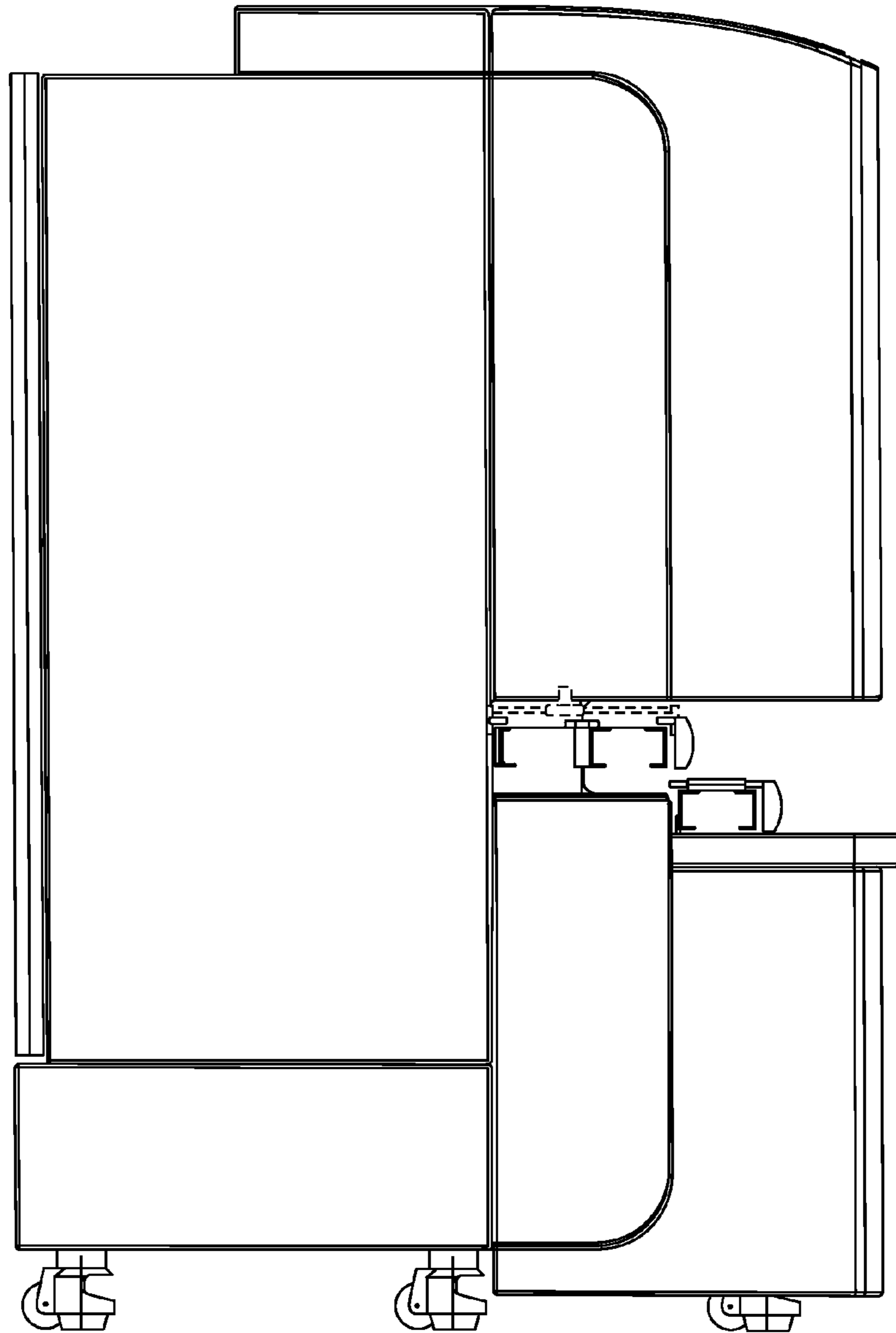


FIG. 3

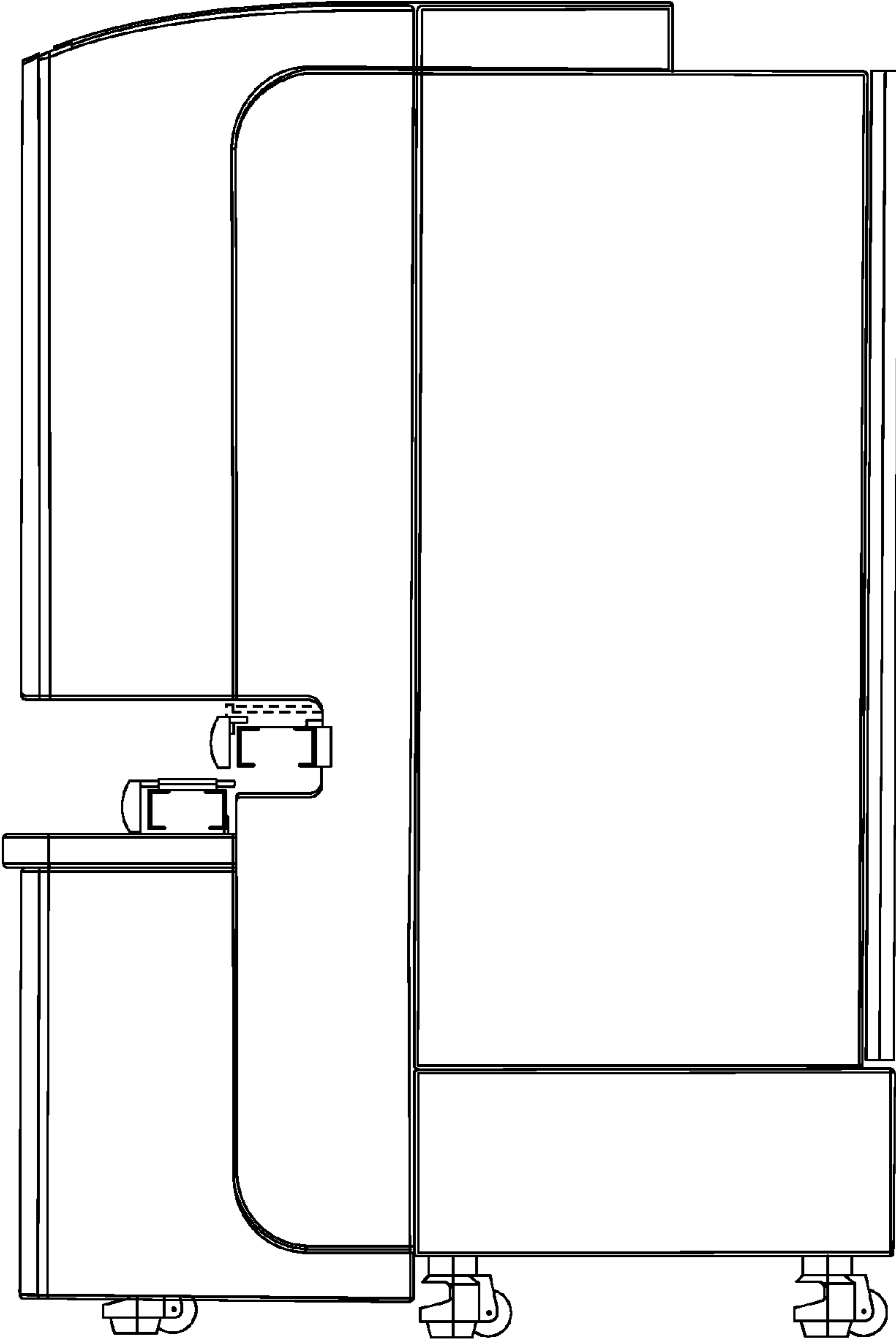


FIG. 4

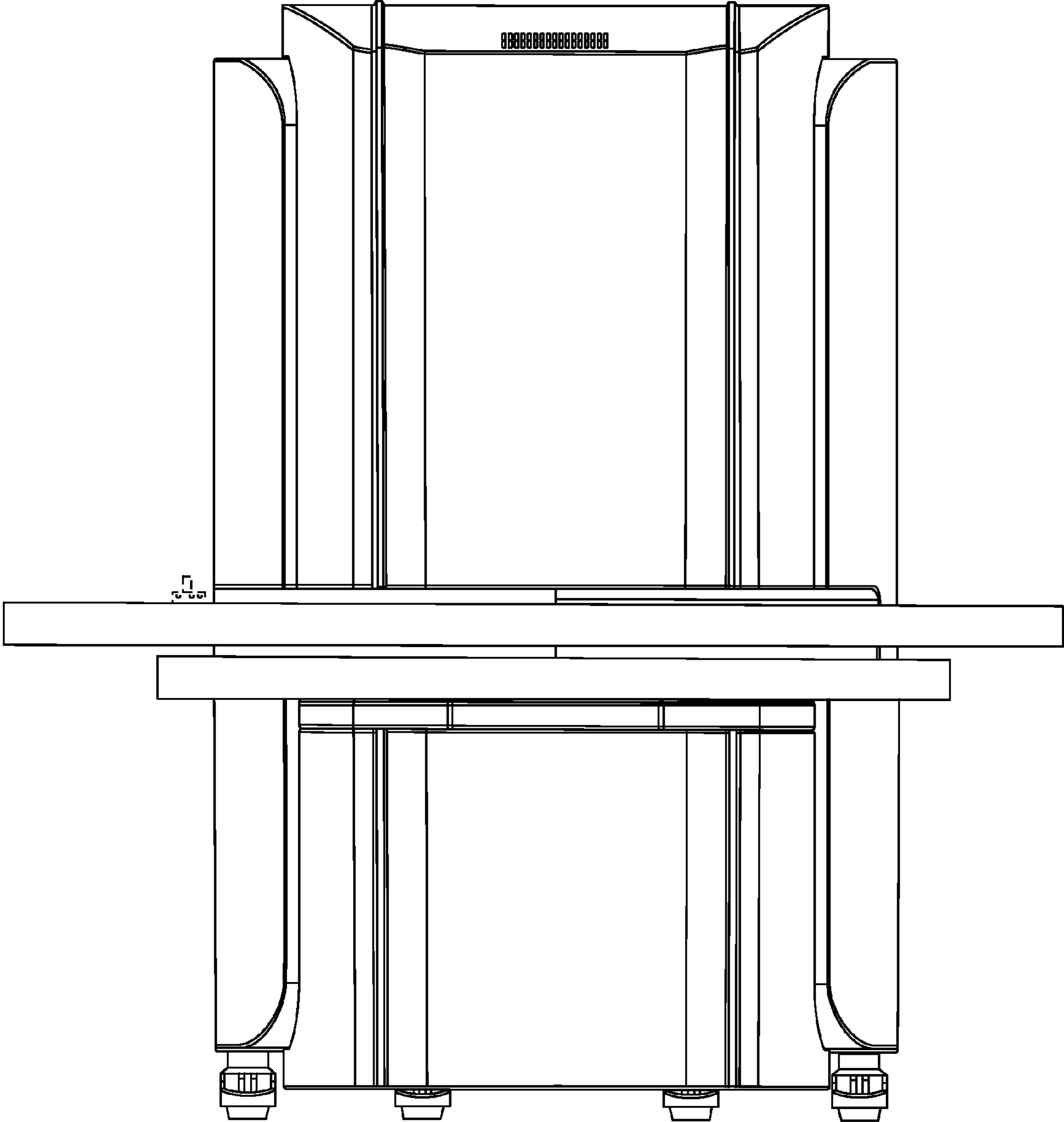


FIG. 5

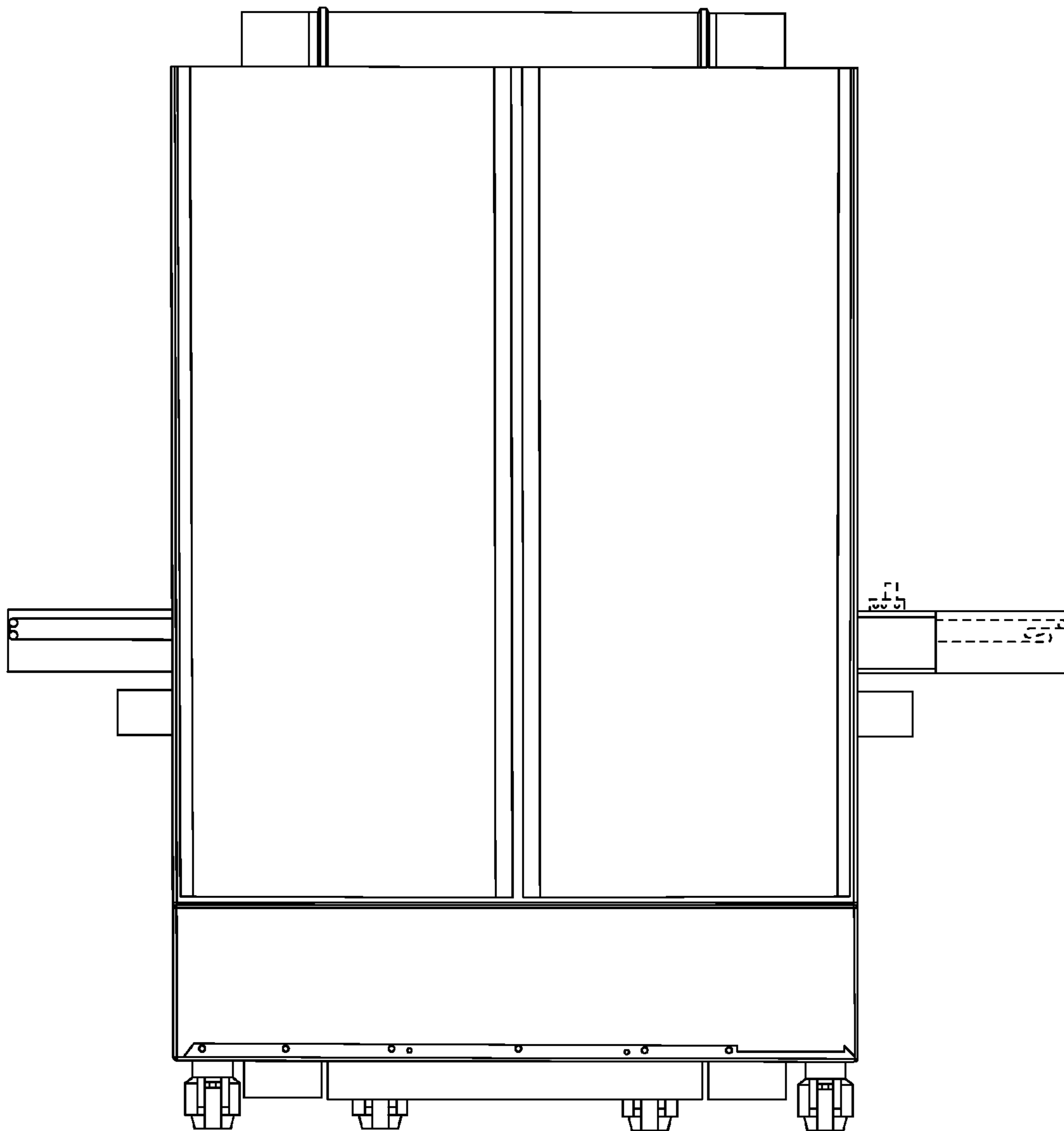


FIG. 6