



US00D700709S

(12) **United States Design Patent**
Khodabakhshian

(10) **Patent No.:** **US D700,709 S**
(45) **Date of Patent:** **** Mar. 4, 2014**

- (54) **THERAPEUTIC SPINE ROLLER**
- (71) Applicant: **Sevak Khodabakhshian**, Newbury Park, CA (US)
- (72) Inventor: **Sevak Khodabakhshian**, Newbury Park, CA (US)
- (**) Term: **14 Years**
- (21) Appl. No.: **29/470,810**
- (22) Filed: **Oct. 25, 2013**
- (51) **LOC (10) Cl.** **28-03**
- (52) **U.S. Cl.**
USPC **D24/211**
- (58) **Field of Classification Search**
USPC D24/200, 211, 212, 213, 214, 215;
601/114, 120, 121, 124, 125, 130, 131,
601/134, 135, 136, 137
See application file for complete search history.

6,129,687	A *	10/2000	Powell et al.	601/15
6,204,584	B1 *	3/2001	Muszynski	310/156.08
6,419,650	B1 *	7/2002	Ryan et al.	601/122
D567,952	S *	4/2008	Fink	D24/200
D567,954	S *	4/2008	Fink	D24/200
D567,955	S *	4/2008	Fink	D24/200
D573,262	S *	7/2008	Soucy	D24/211
D623,310	S *	9/2010	Cheng	D24/211
7,918,774	B2 *	4/2011	Dye	482/132
D637,244	S *	5/2011	Davis et al.	D21/662
D647,980	S *	11/2011	Davis et al.	D21/662
D660,450	S *	5/2012	Johnson	D24/215
D667,130	S *	9/2012	Baker	D24/207
D670,817	S *	11/2012	Narevsky	D24/211
2003/0100417	A1 *	5/2003	Westwood	482/142
2004/0024336	A1 *	2/2004	Lin	601/107

* cited by examiner

Primary Examiner — Sandra Snapp
(74) *Attorney, Agent, or Firm* — Sean D. Burdick

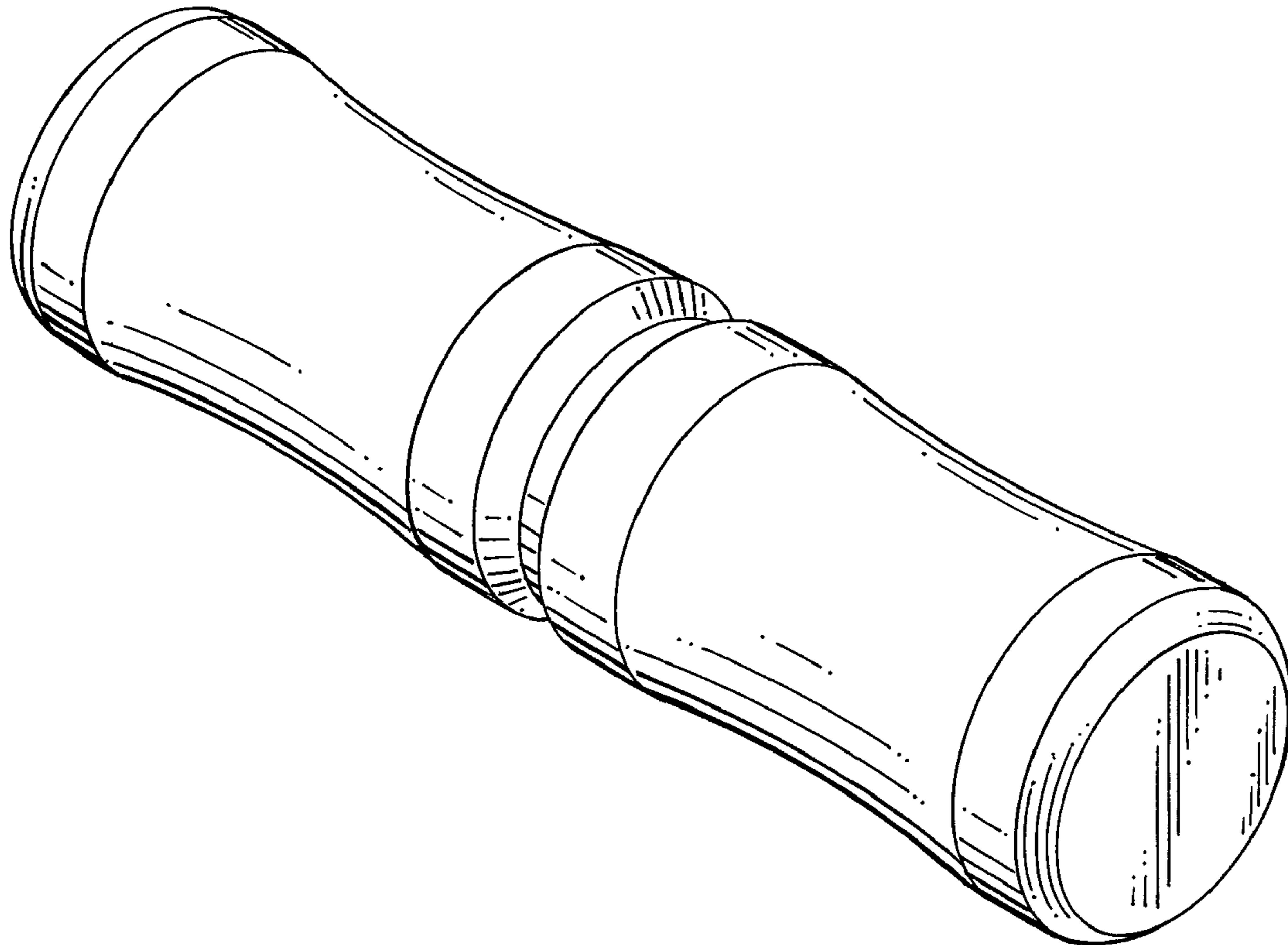
(57) **CLAIM**
The ornamental design for a therapeutic spine roller, as shown.

DESCRIPTION

FIG. 1 is a perspective view of a therapeutic spine roller, showing my new design.
FIG. 2 is a side view thereof.
FIG. 3 is a left end view thereof; and,
FIG. 4 is a right end view thereof.

1 Claim, 2 Drawing Sheets

- (56) **References Cited**
U.S. PATENT DOCUMENTS
- 4,807,603 A * 2/1989 Yasui 601/121
- D347,898 S * 6/1994 Belcher D24/211
- 5,824,013 A * 10/1998 Allen 606/240
- D416,427 S * 11/1999 Pecora et al. D6/601
- D418,227 S * 12/1999 O'Connor D24/211



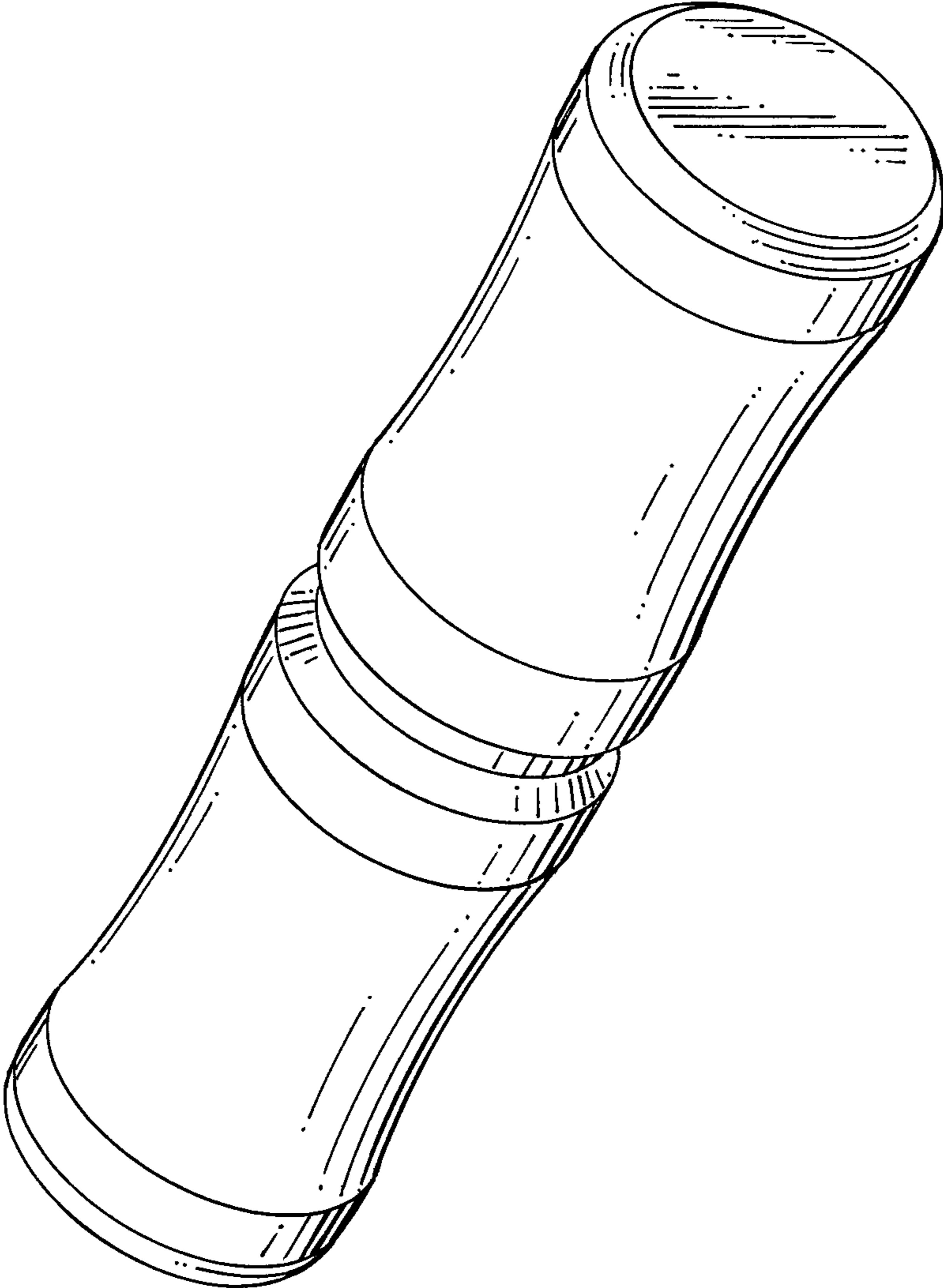


FIG. 1

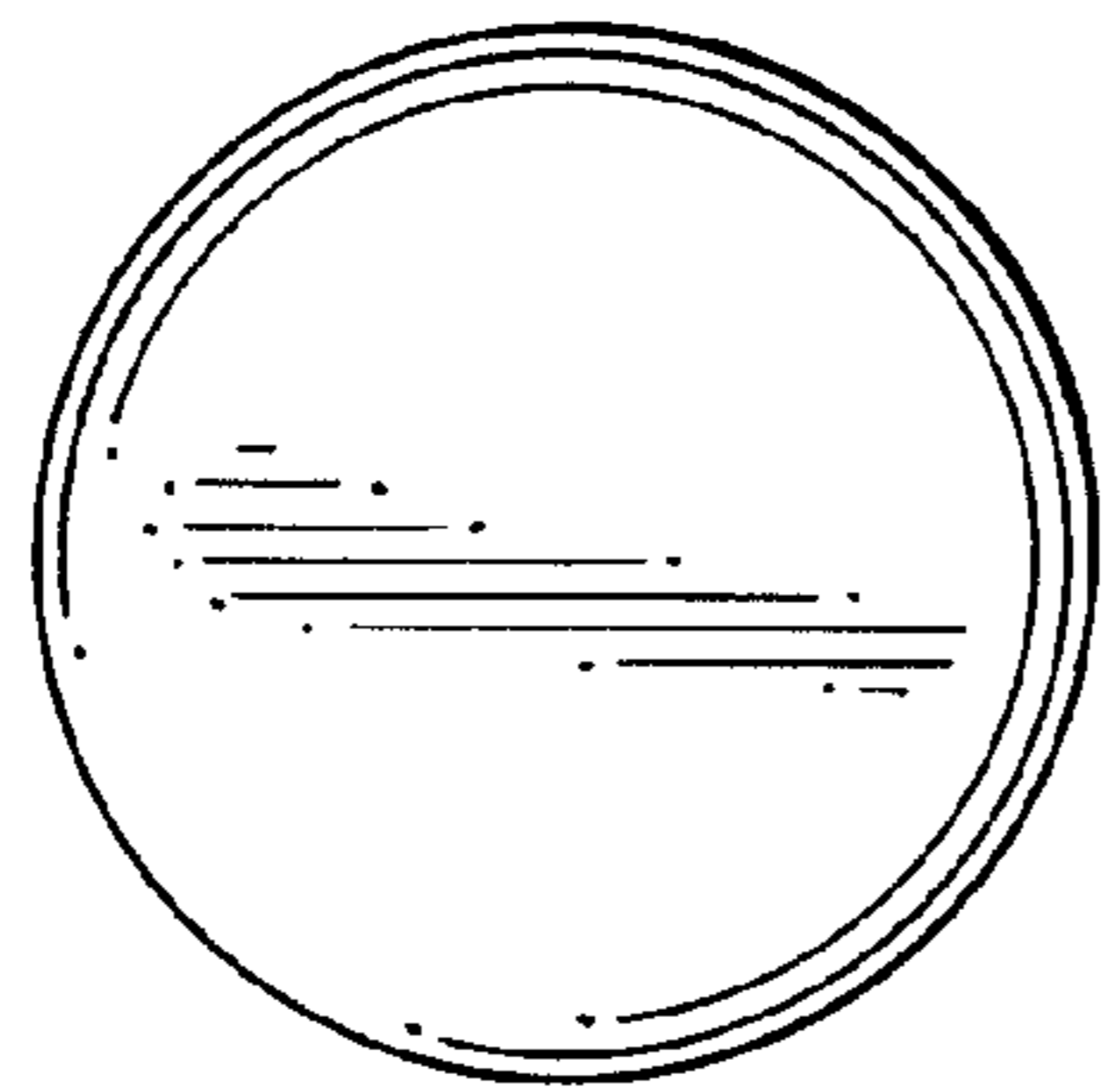


FIG. 4

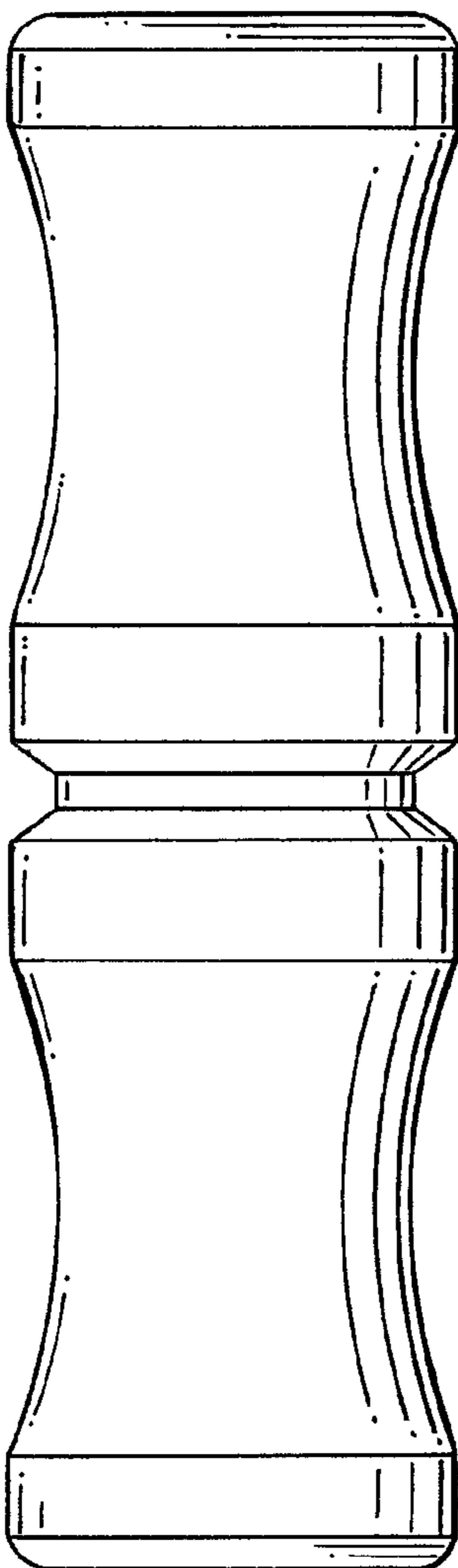


FIG. 2

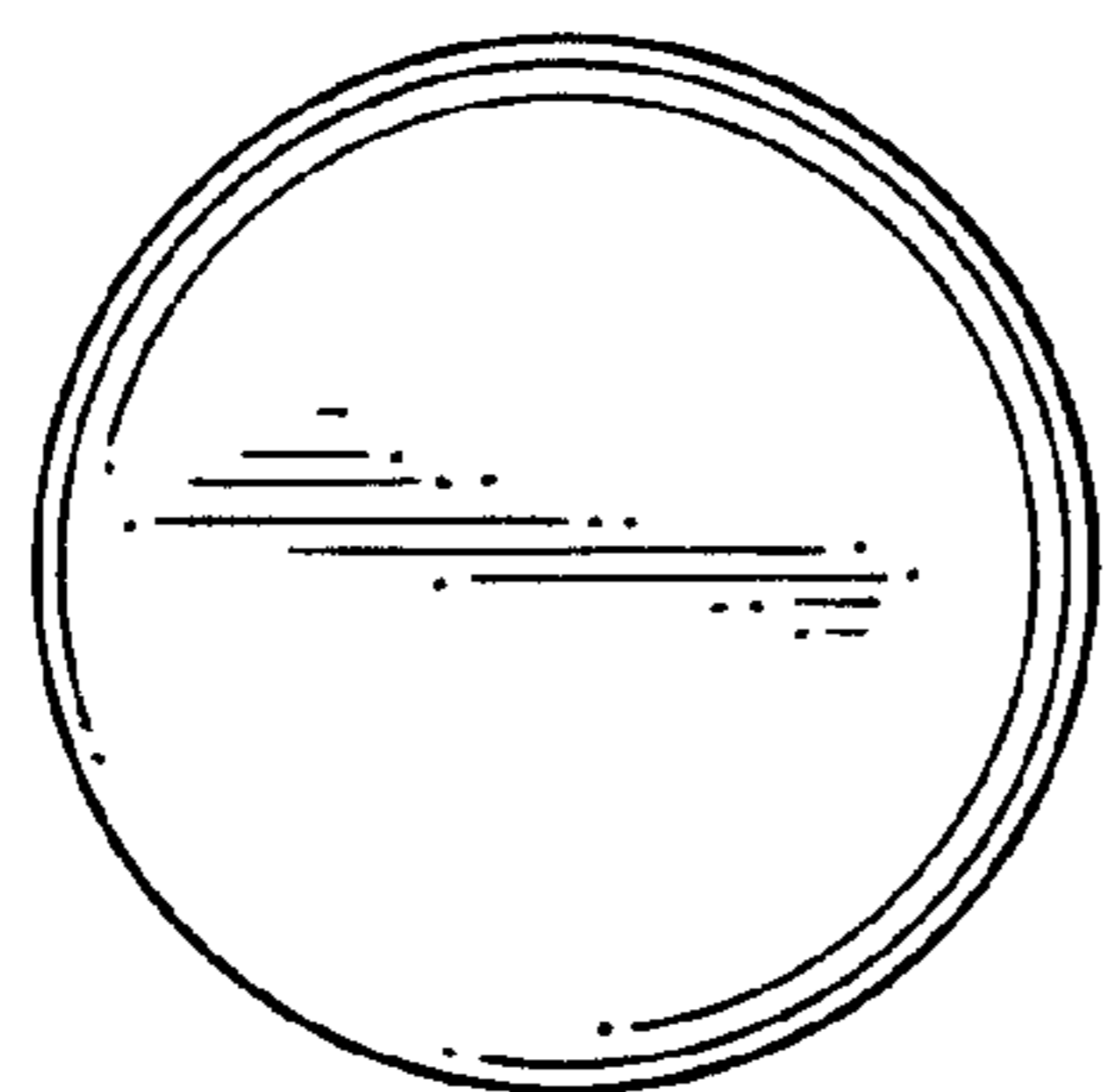


FIG. 3