



US00D700708S

(12) **United States Design Patent**
Ho

(10) **Patent No.:** **US D700,708 S**
(45) **Date of Patent:** **** Mar. 4, 2014**

(54) **PEDICURE FOOT SPA**

(76) Inventor: **Vinh Cao Ho**, Houston, TX (US)

(**) Term: **14 Years**

(21) Appl. No.: **29/395,761**

(22) Filed: **Mar. 26, 2012**

(51) **LOC (10) Cl.** **24-02**

(52) **U.S. Cl.**
USPC **D24/204**

(58) **Field of Classification Search**
USPC D24/200–205, 212, 213; D28/56, 61;
D6/336, 495; 601/6, 15, 64, 157–158,
601/30–32; 607/44; 4/622, 574.1
See application file for complete search history.

(56) **References Cited**

U.S. PATENT DOCUMENTS

D327,949 S *	7/1992	Bucher	D24/205
D387,173 S *	12/1997	Jeans	D24/213
D459,447 S	6/2002	Thomas		
D504,178 S *	4/2005	Zolotnik	D24/213
D506,830 S *	6/2005	Zimmermann	D24/204
D598,120 S *	8/2009	Mai et al.	D24/204
D603,522 S *	11/2009	Elliott	D24/204
D622,858 S *	8/2010	Jan	D24/204
D635,785 S *	4/2011	Ton	D6/336
D635,786 S	4/2011	Ton		
D640,387 S *	6/2011	Tran	D24/204
D641,485 S	7/2011	Mai		

D647,625 S *	10/2011	Le et al.	D24/204
D659,844 S *	5/2012	Jan	D24/204
D663,039 S *	7/2012	Petruccelli	D24/204
D664,664 S *	7/2012	Mai	D24/204
2010/0264789 A1	10/2010	Ton et al.		

* cited by examiner

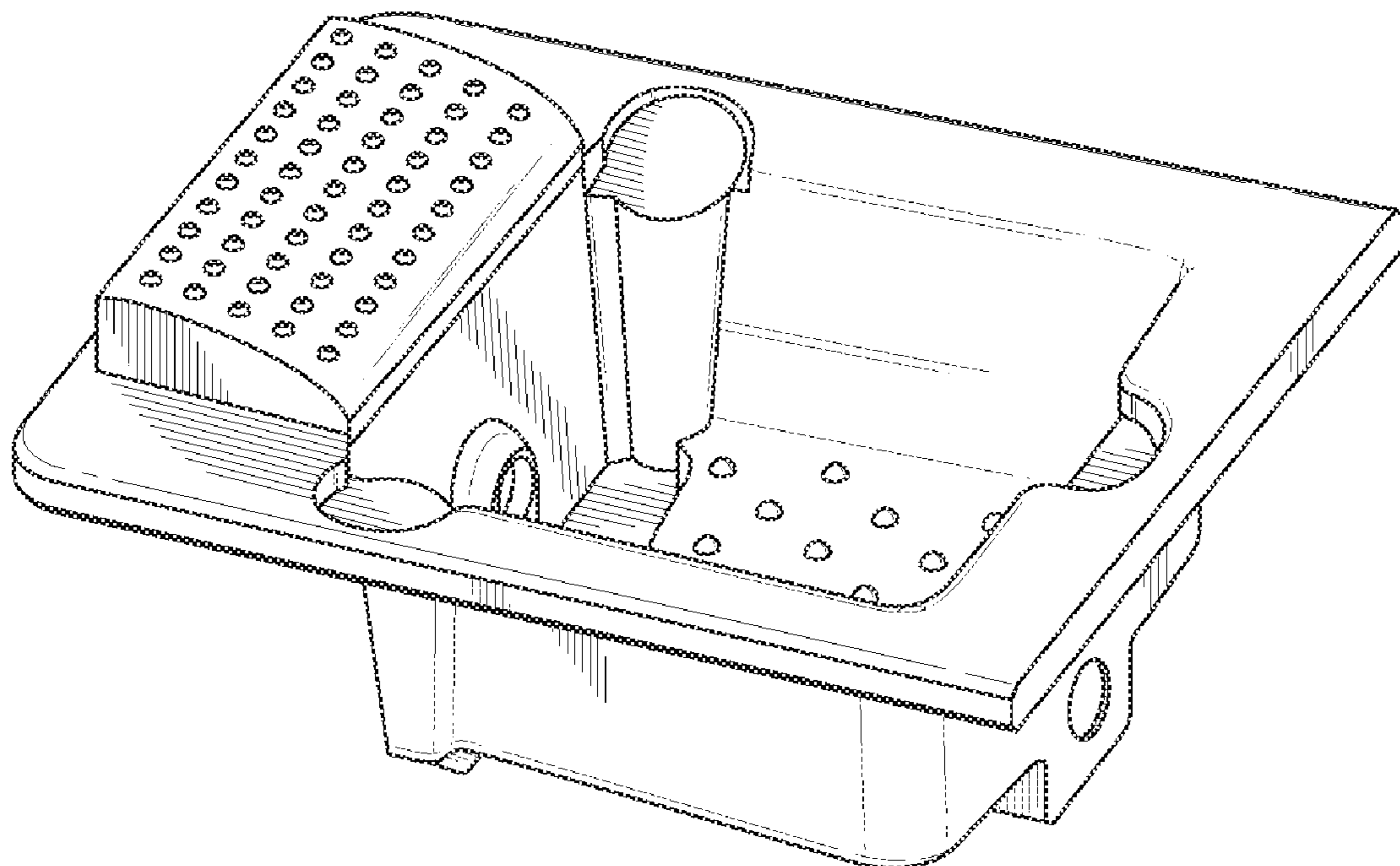
Primary Examiner — David Muller

(57) **CLAIM**
The ornamental design of a pedicure foot spa, as shown and described.

DESCRIPTION

FIG. 1 is a top perspective view depicting a pedicure foot spa, showing my new design.
 FIG. 2 is a bottom perspective view thereof;
 FIG. 3 is a top perspective view depicting the pedicure foot spa, without the foot rest to show the extended edge around the basin.
 FIG. 4 is a top perspective view depicting the foot rest, shown separated from the pedicure foot spa for ease of illustration.
 FIG. 5 is a top plan view of the pedicure foot spa;
 FIG. 6 is a bottom plan view thereof;
 FIG. 7 is a front end elevation view thereof;
 FIG. 8 is a side elevation view thereof; and,
 FIG. 9 is a rear elevation view thereof.
 The broken line showing of parts of the drawings is included for the purpose of illustrating use and environment and forms no part of the claimed design.

1 Claim, 4 Drawing Sheets



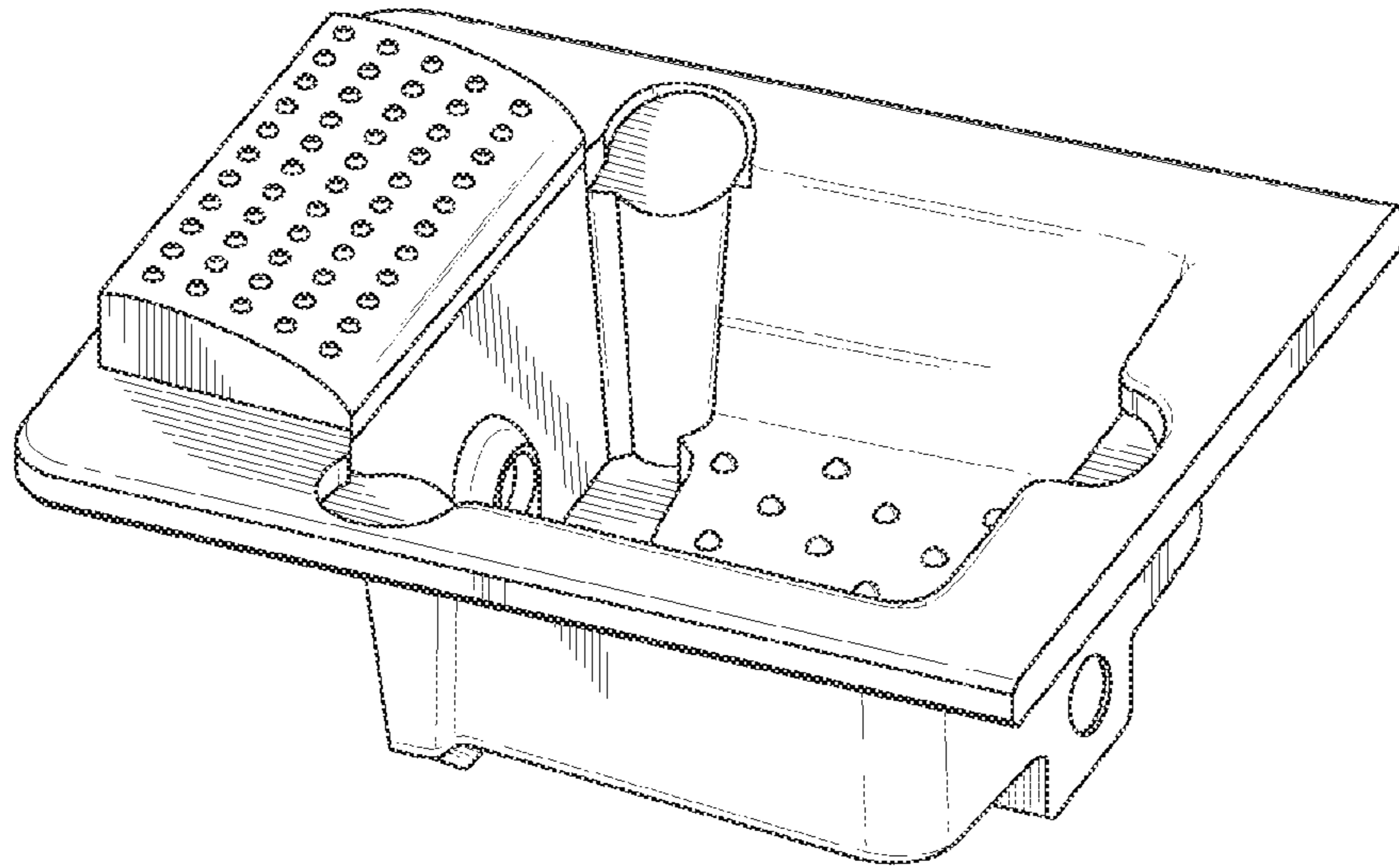


FIG. 1

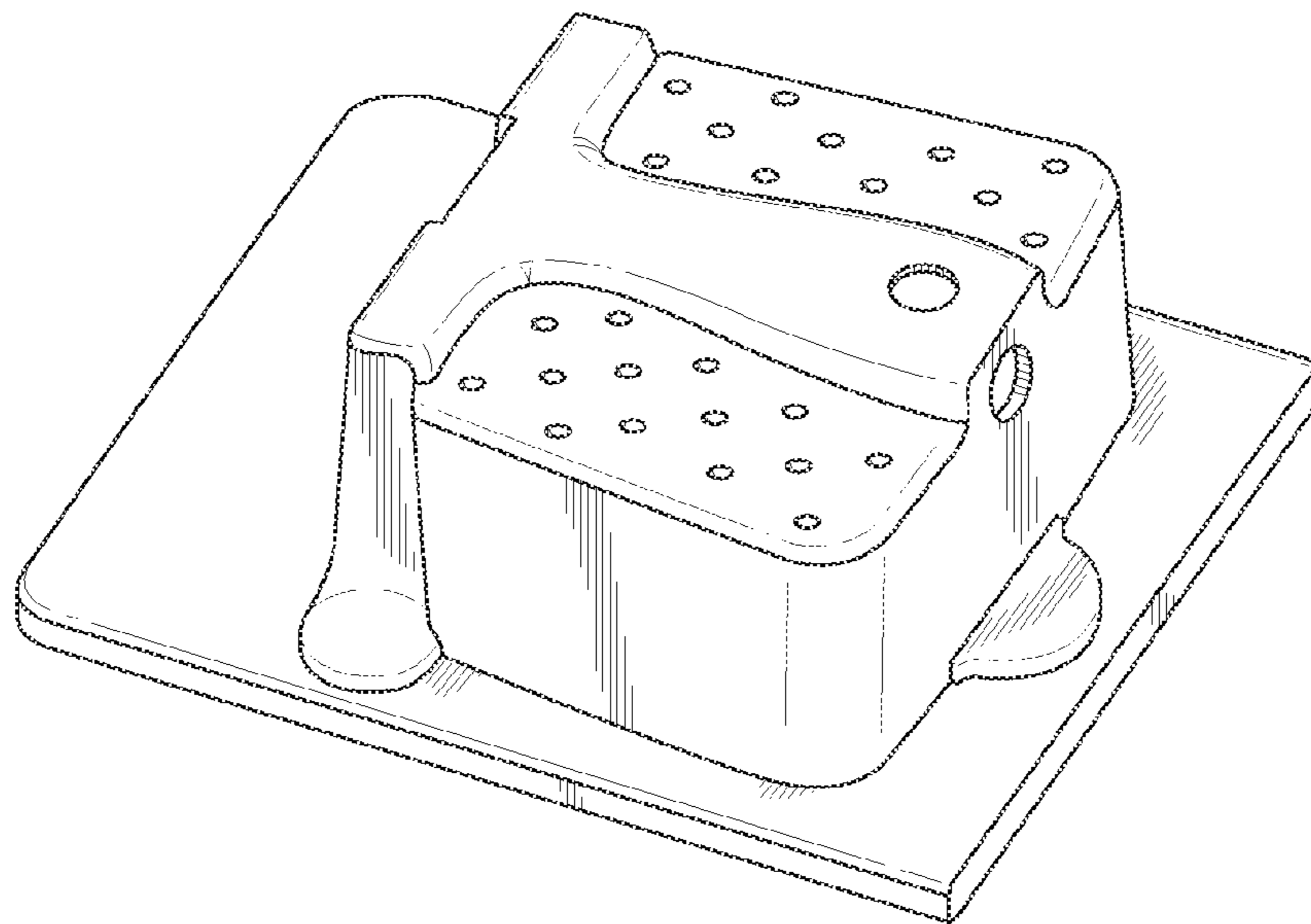


FIG. 2

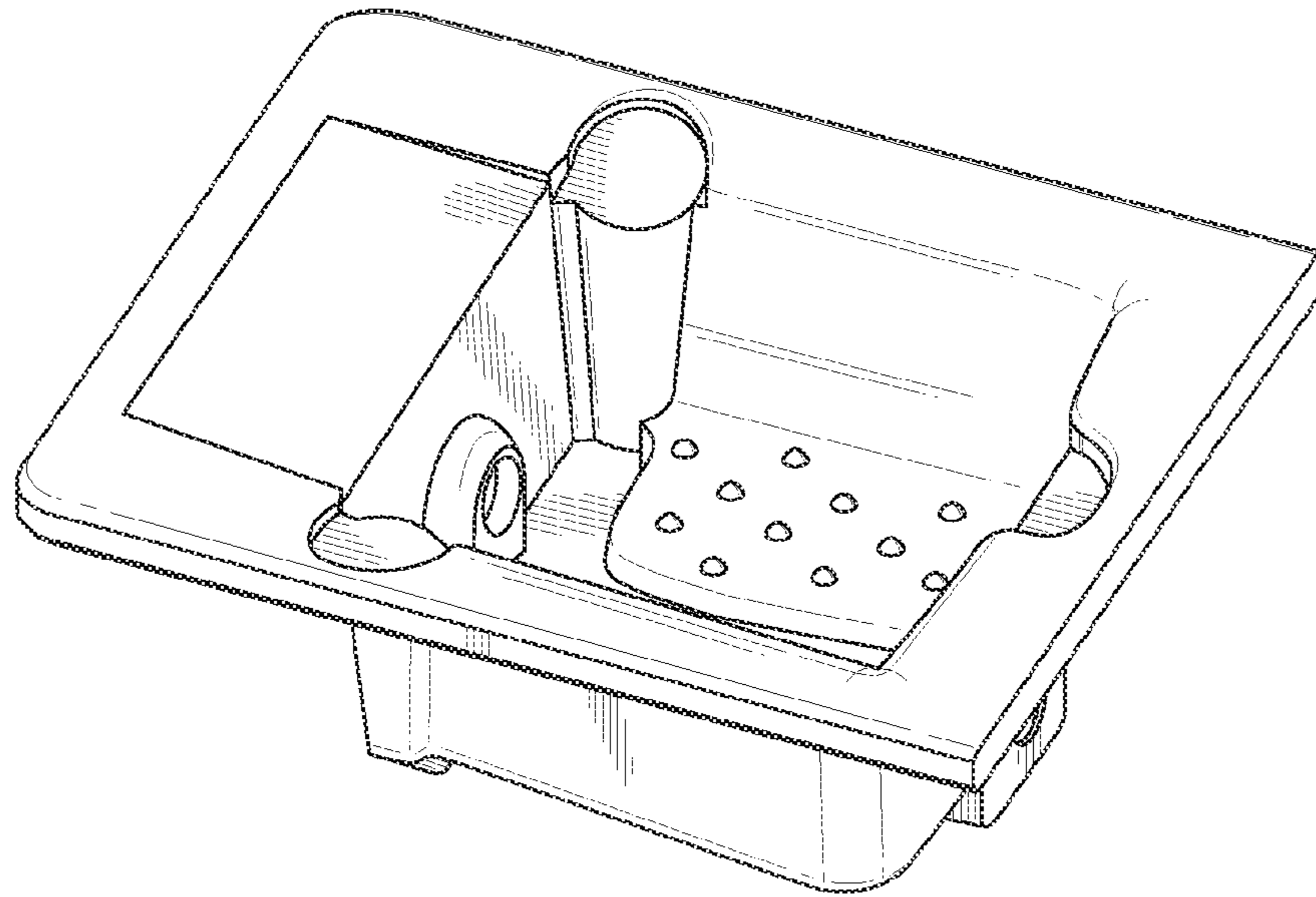


FIG. 3

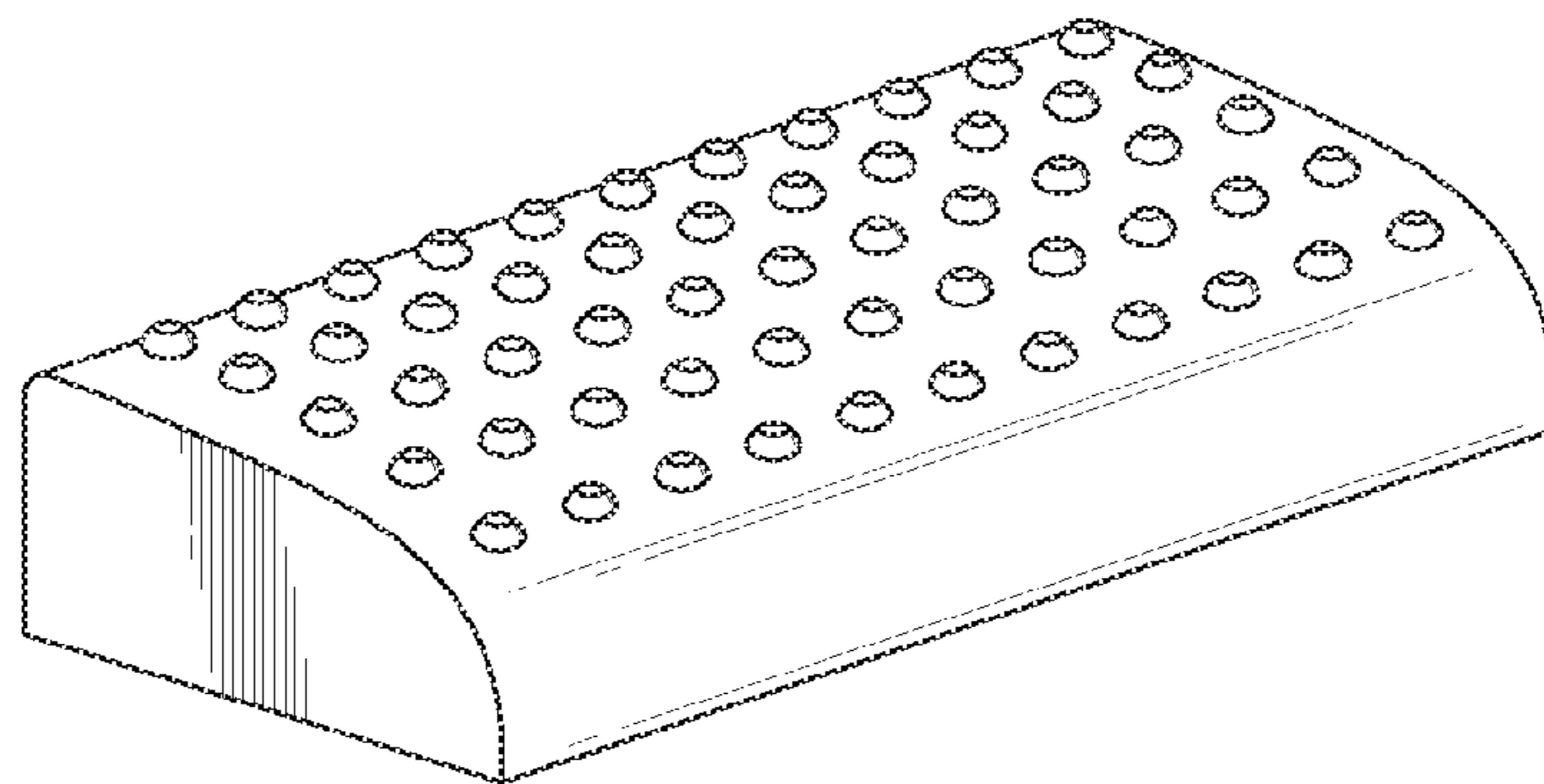


FIG. 4

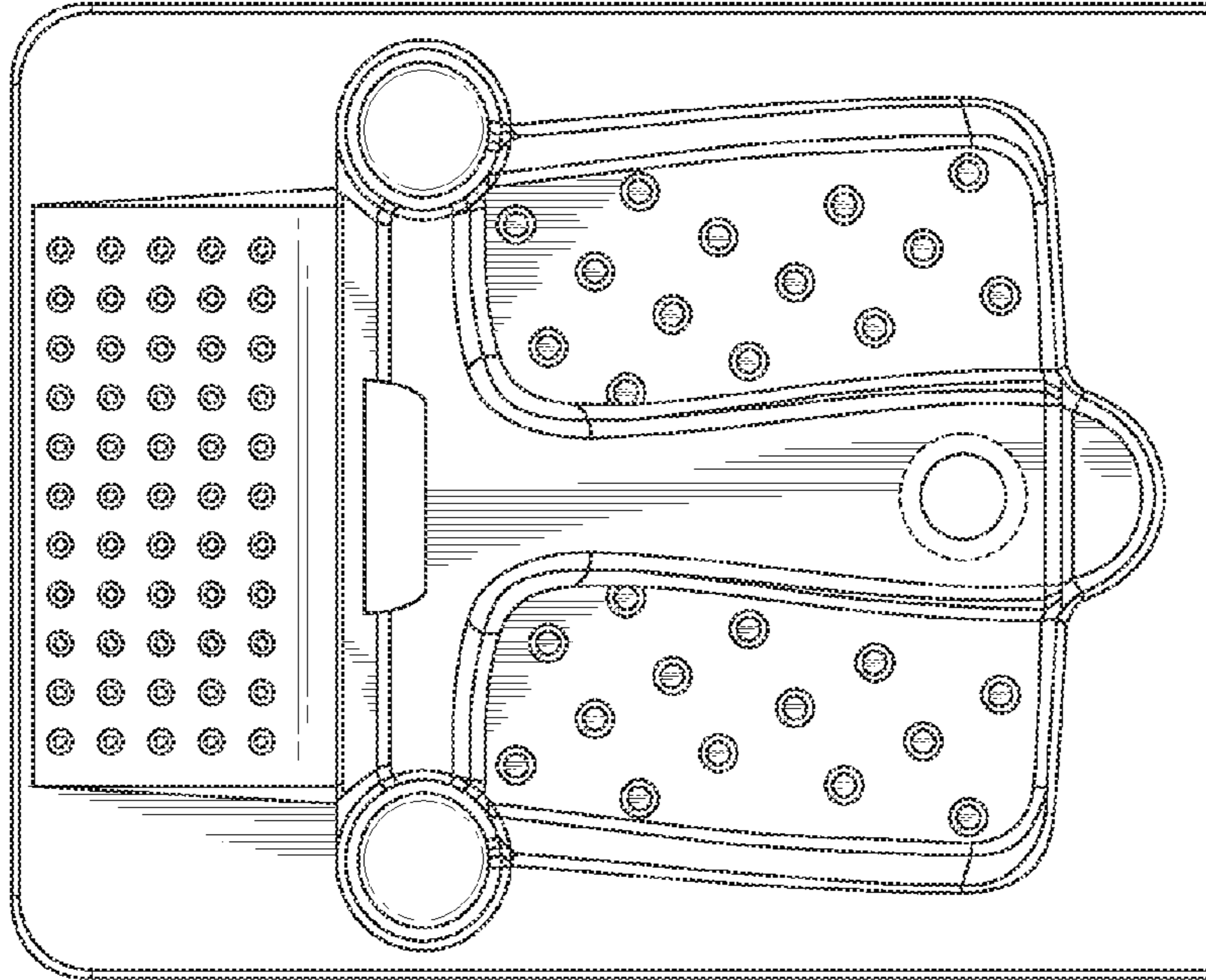


FIG. 5

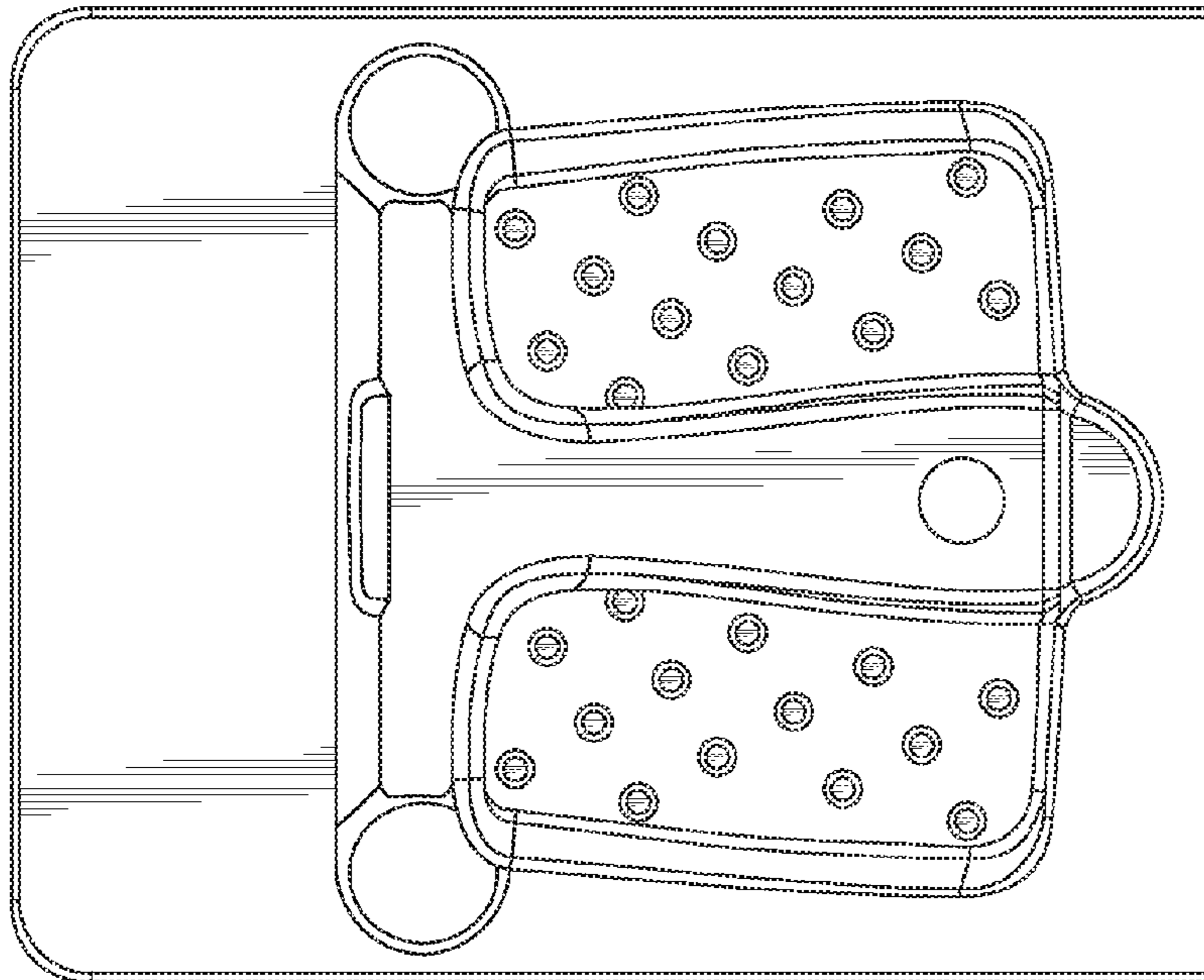


FIG. 6

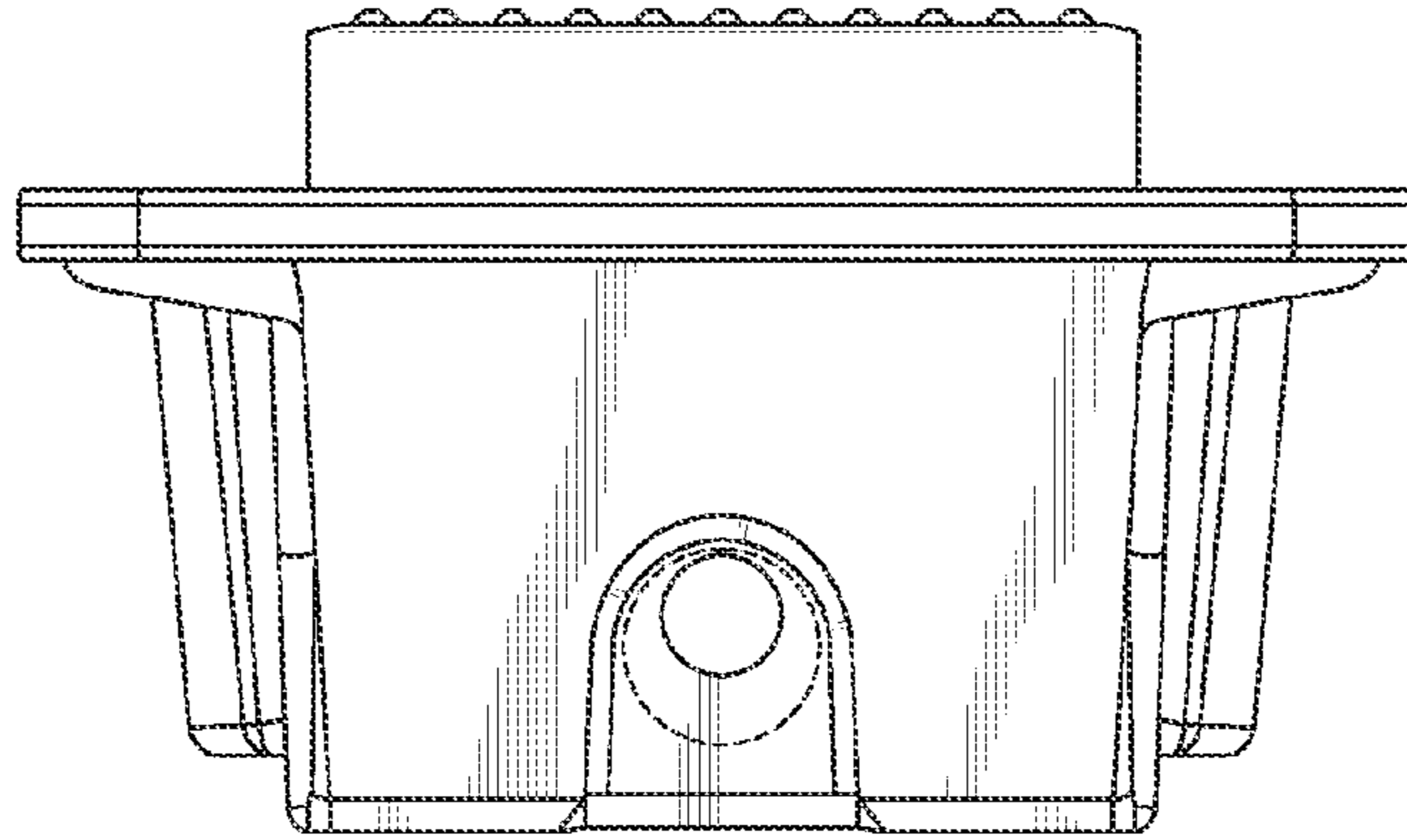


FIG. 7

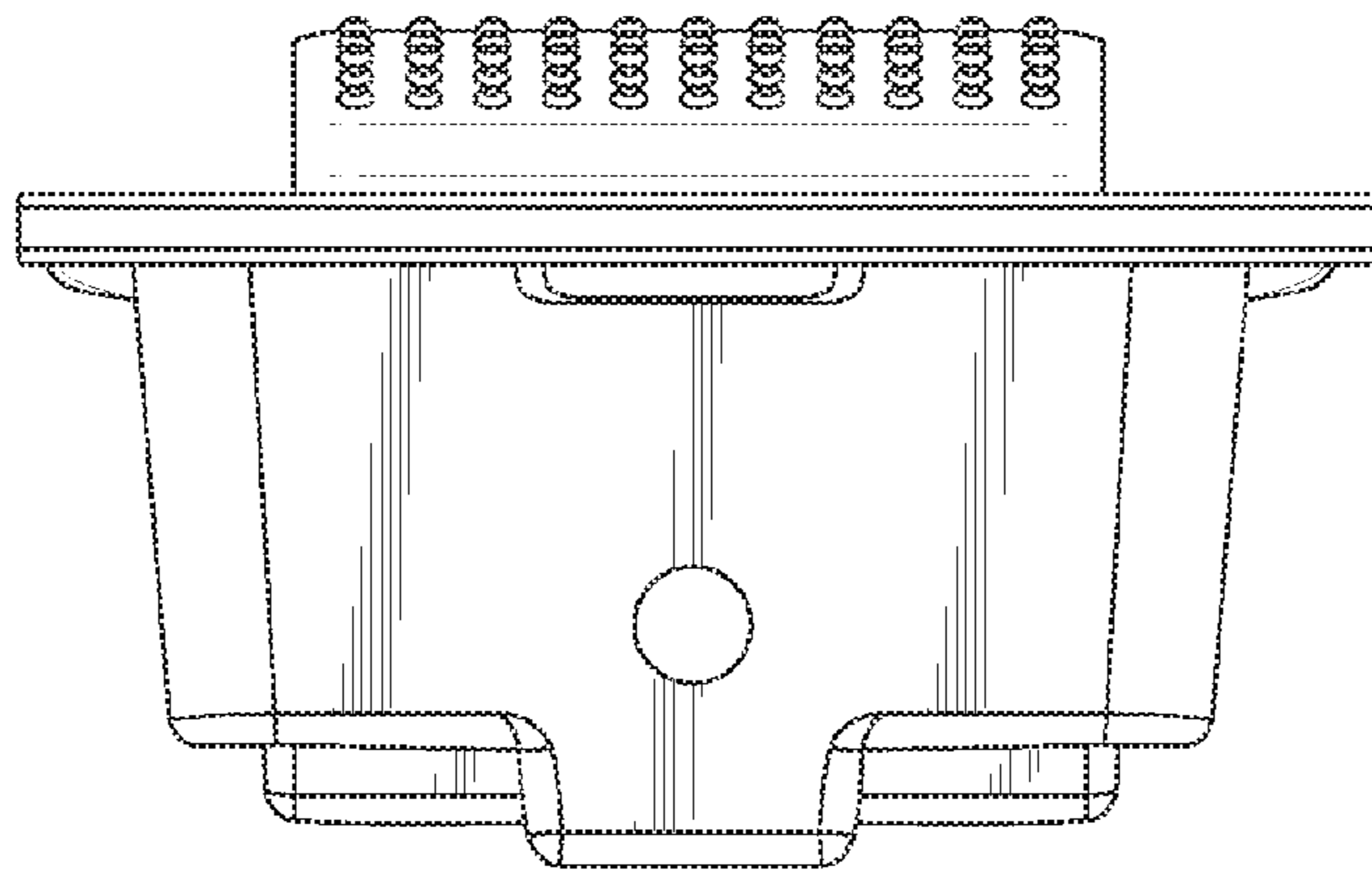


FIG. 8

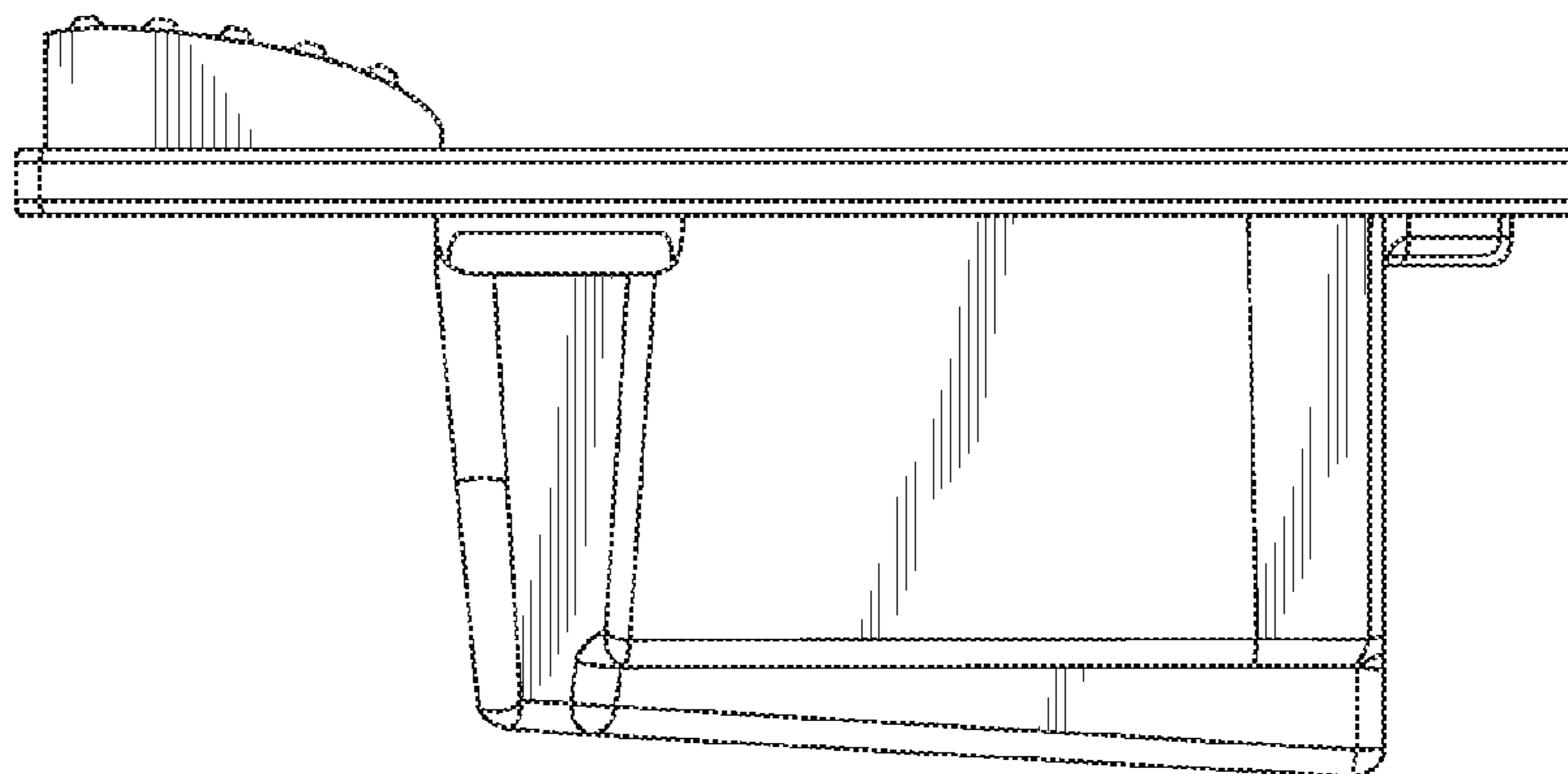


FIG. 9