

US00D700707S

(12) **United States Design Patent**  
**Baumgarten**

(10) **Patent No.:** **US D700,707 S**  
(45) **Date of Patent:** **\*\* Mar. 4, 2014**

(54) **REUSABLE/ADJUSTABLE COMPRESS  
HOLDER**

(76) Inventor: **Victoria L. Baumgarten**, Loganville,  
WI (US)

(\*\*) Term: **14 Years**

(21) Appl. No.: **29/399,771**

(22) Filed: **Aug. 18, 2011**

(51) **LOC (10) Cl.** ..... **24-04**

(52) **U.S. Cl.**  
USPC ..... **D24/189**

(58) **Field of Classification Search**  
USPC ..... D24/189; 602/41-56, 57, 67, 58, 59  
See application file for complete search history.

(56) **References Cited**

U.S. PATENT DOCUMENTS

D298,969 S	12/1988	Pryor	
D324,733 S	3/1992	O'Brien et al.	
D325,441 S	4/1992	O'Brien et al.	
D325,637 S	4/1992	O'Brien et al.	
5,179,942 A	1/1993	Drulias et al.	
D333,350 S	2/1993	Redira, Jr.	
D336,339 S	6/1993	Pryor	
5,494,598 A	2/1996	Hughes	
D371,235 S	7/1996	Robertson	
5,683,354 A *	11/1997	Levy	602/54
D405,188 S	2/1999	Evans	
D408,541 S *	4/1999	Dunshee et al.	D24/189
5,890,487 A	4/1999	Kimmel	
D409,754 S *	5/1999	Dunshee et al.	D24/189
D413,389 S	8/1999	Owen, Jr.	
D425,996 S	5/2000	Owen, Jr.	
D430,674 S *	9/2000	Dunshee et al.	D24/189
D433,142 S *	10/2000	Nash et al.	D24/189
D446,863 S	8/2001	Carroll	
6,274,786 B1 *	8/2001	Heller	602/41
D454,955 S *	3/2002	Dunshee et al.	D24/189
D461,903 S	8/2002	Garcia	

D470,592 S *	2/2003	Dunshee	D24/189
D471,631 S *	3/2003	Dunshee et al.	D24/189
D471,632 S *	3/2003	Dunshee et al.	D24/189
D471,985 S *	3/2003	Dunshee et al.	D24/189
D495,419 S *	8/2004	Dunshee	D24/189
D510,626 S	10/2005	Krahner et al.	
D550,852 S	9/2007	Hoffman et al.	
D556,333 S	11/2007	Hoffman et al.	
D558,842 S	1/2008	Dore et al.	
D571,923 S *	6/2008	Roberts	D24/192

(Continued)

*Primary Examiner* — T. Chase Nelson

*Assistant Examiner* — Michelle E Wilson

(74) *Attorney, Agent, or Firm* — Craig J. Lervick; Larkin Hoffman Daly & Lindgren Ltd.

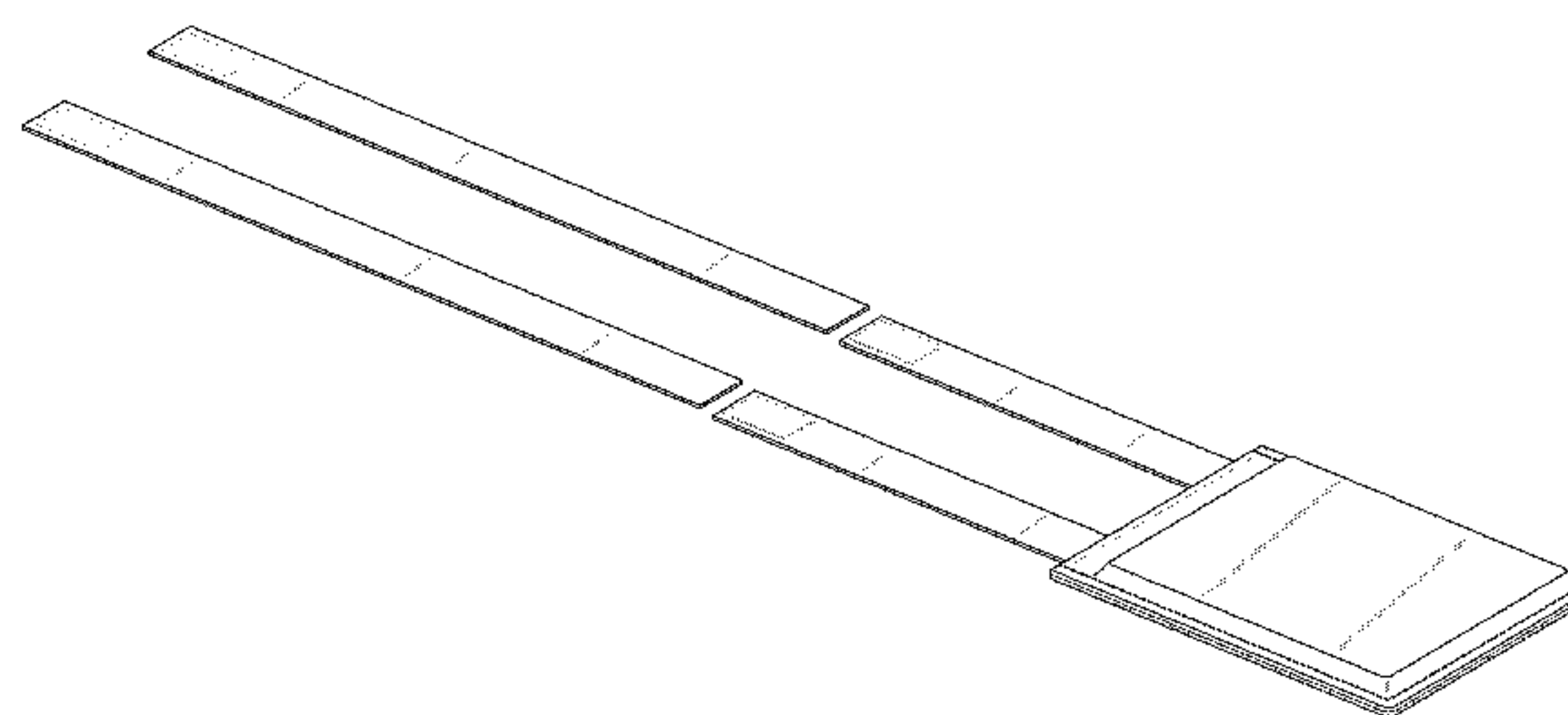
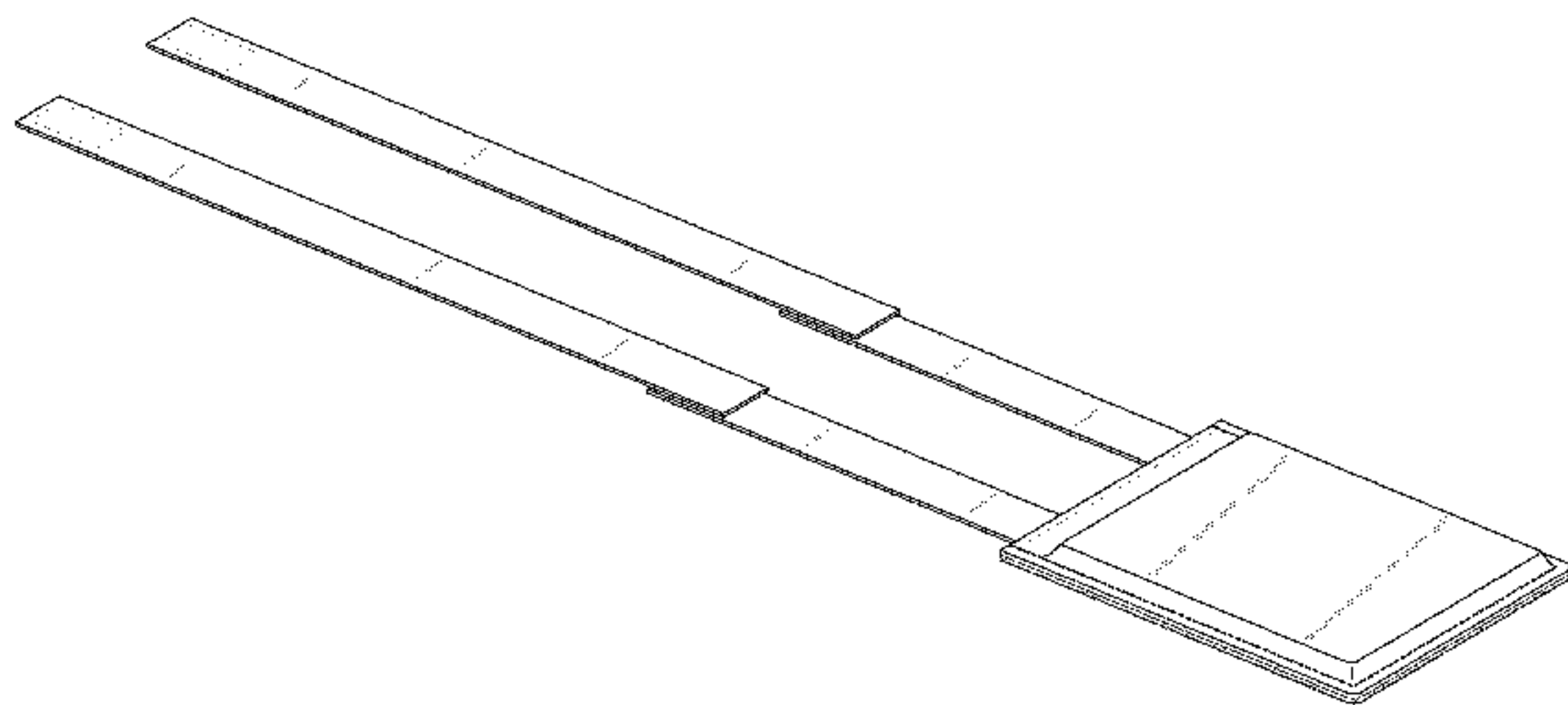
(57) **CLAIM**

The ornamental design for a reusable/adjustable compress holder, as shown and described.

**DESCRIPTION**

FIG. 1 is a perspective front view of the reusable/adjustable compress holder in accordance with the present Invention; FIG. 2 is a front view thereof; FIG. 3 is a rear view thereof; FIG. 4 is a side view thereof; FIG. 5 is a first end view thereof; FIG. 6 is an opposite end view thereof; FIG. 7 is a front perspective view of another embodiment of the reusable/adjustable compress holder wherein the strap elements are detached from one another; FIG. 8 is a front view thereof; FIG. 9 is a rear view thereof; FIG. 10 is a side view thereof; FIG. 11 is a first end view thereof; and, FIG. 12 is an opposite end view thereof. The broken lines depict portions of the reusable/adjustable compress holder that form no part of the claimed design.

**1 Claim, 8 Drawing Sheets**



(56)

**References Cited**

U.S. PATENT DOCUMENTS

D580,553 S \* 11/2008 Nash ..... D24/189  
7,503,078 B2 \* 3/2009 Bernard et al. .... 2/46  
D594,561 S 6/2009 Freeland et al.  
D604,423 S \* 11/2009 Dunshee ..... D24/189  
D611,156 S \* 3/2010 Dunshee ..... D24/189  
D613,870 S 4/2010 Shust

D618,811 S \* 6/2010 Navies ..... D24/189  
D622,404 S \* 8/2010 Williams ..... D24/189  
D623,307 S 9/2010 Warner et al.  
D626,243 S 10/2010 Sagnip et al.  
7,806,841 B2 10/2010 Caselnova  
D627,896 S 11/2010 Matsuo et al.  
D637,725 S \* 5/2011 Seminaroti ..... D24/189  
D646,789 S \* 10/2011 Barth ..... D24/189

\* cited by examiner

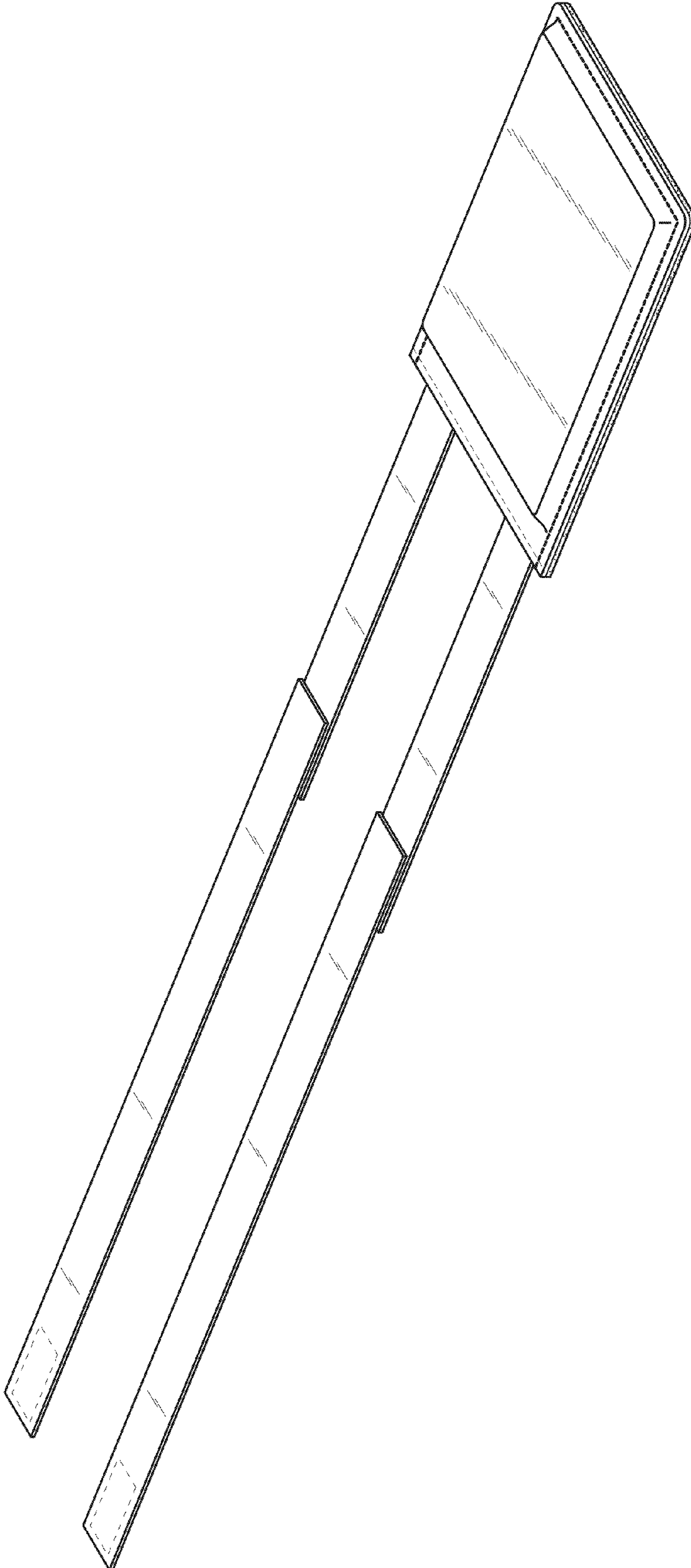


Fig. 1

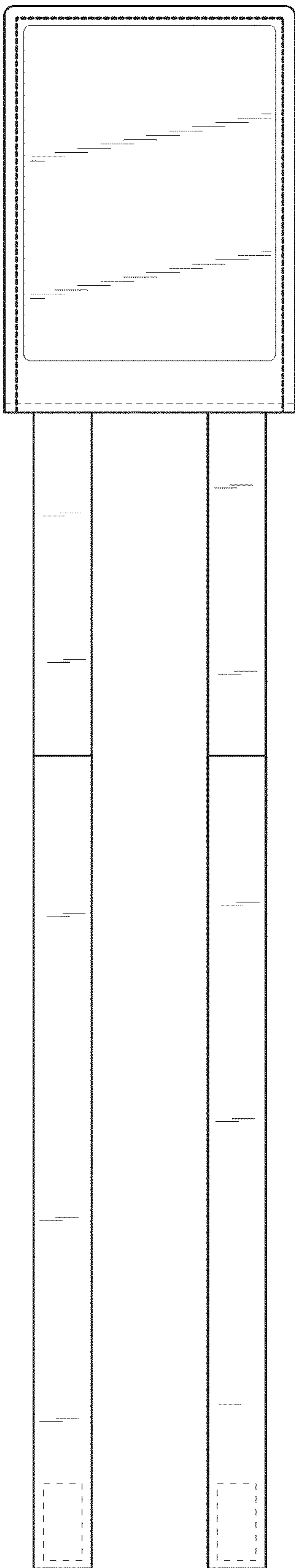


Fig. 2

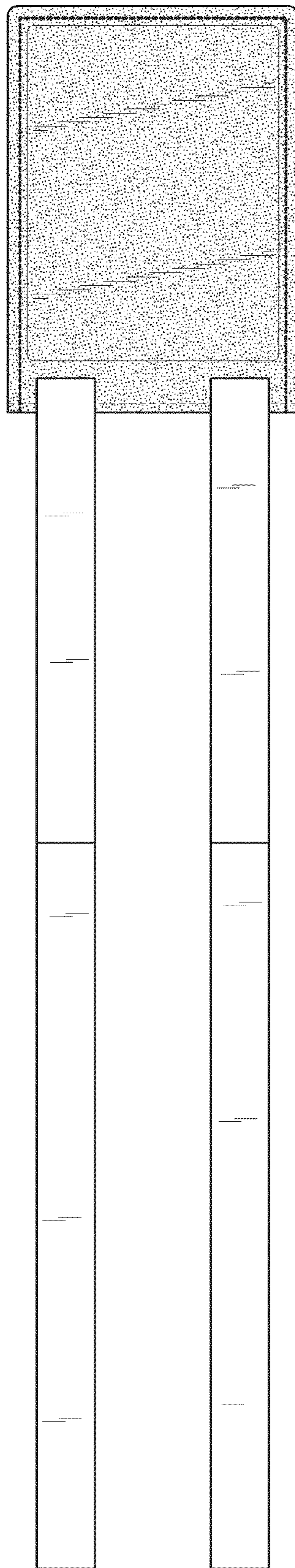


Fig. 3





Fig. 4

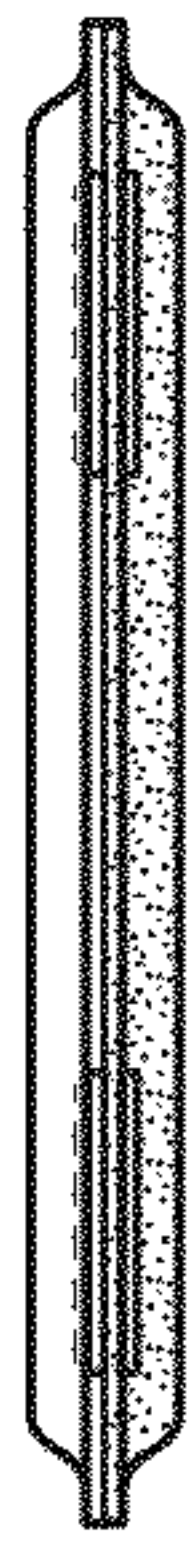


Fig. 5

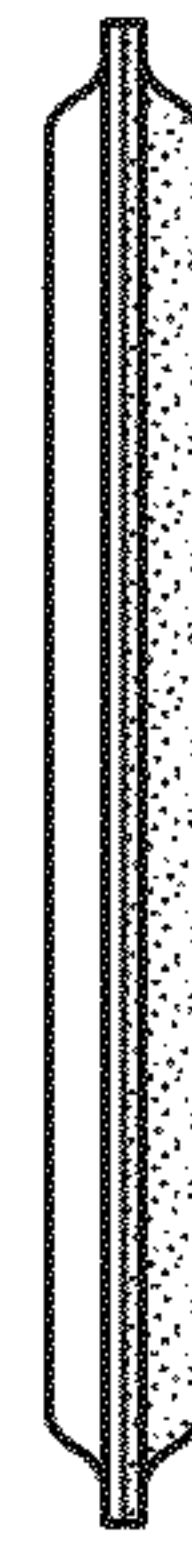


Fig. 6

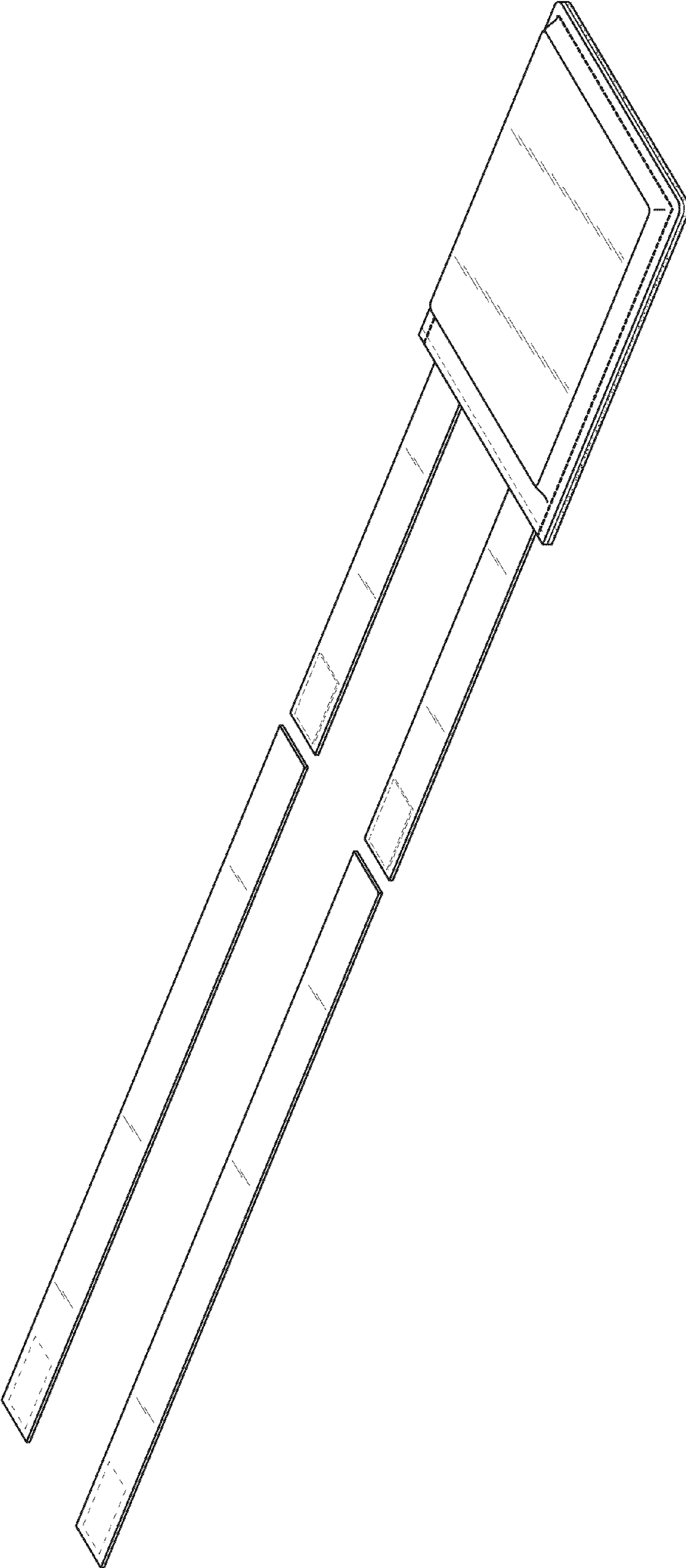


Fig. 7

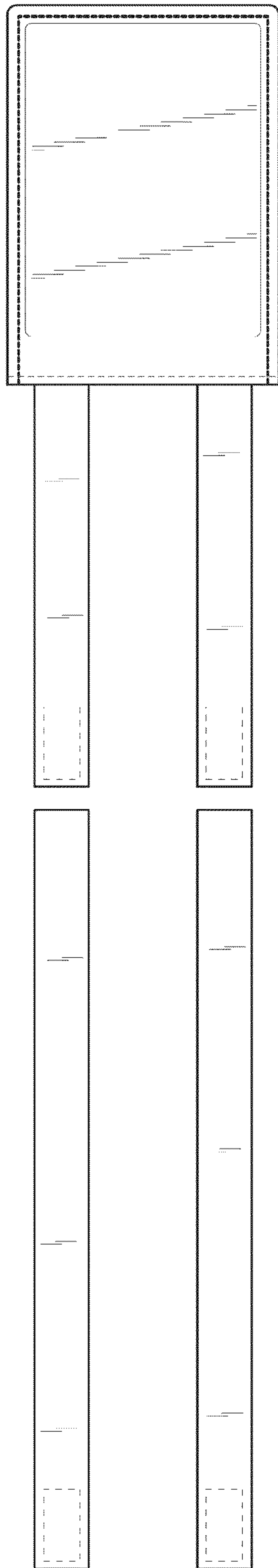


Fig. 8

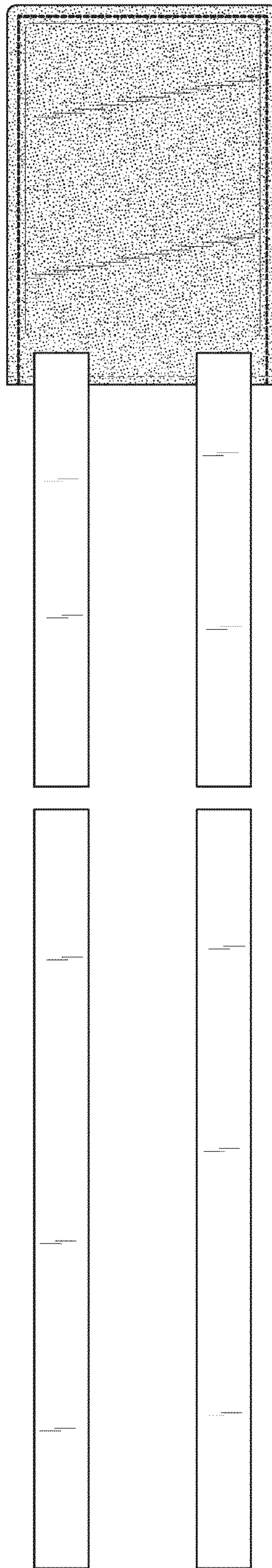


Fig. 9





Fig. 10



Fig. 11

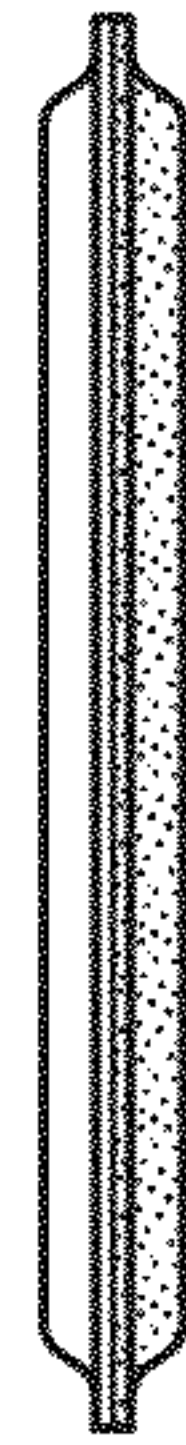


Fig. 12