



US00D700706S

(12) **United States Design Patent**  
**Molter**

(10) **Patent No.:** **US D700,706 S**  
(45) **Date of Patent:** **\*\* Mar. 4, 2014**

(54) **MEDICAL CART**

(71) Applicant: **Daniel E. Molter**, Elmhurst, IL (US)

(72) Inventor: **Daniel E. Molter**, Elmhurst, IL (US)

(73) Assignee: **Peerless Industries, Inc.**, Aurora, IL (US)

(\*\*) Term: **14 Years**

(21) Appl. No.: **29/435,509**

(22) Filed: **Oct. 24, 2012**

(51) **LOC (10) Cl.** ..... **24-00**

(52) **U.S. Cl.**  
USPC ..... **D24/185**

(58) **Field of Classification Search**  
USPC ..... D24/130, 143, 150, 164, 170, 171, 172,  
D24/183, 185, 186, 188, 190, 221, 234;  
351/206, 224, 226

See application file for complete search history.

(56) **References Cited**

**U.S. PATENT DOCUMENTS**

6,189,849	B1	2/2001	Sweere et al.	
D588,272	S *	3/2009	Meiser	D24/185
D606,202	S *	12/2009	Banryu	D24/185
D613,866	S *	4/2010	Tanaka et al.	D24/185
D632,796	S *	2/2011	Ross et al.	D24/185
D632,797	S *	2/2011	Ross et al.	D24/185
D652,936	S *	1/2012	Ross et al.	D24/185
2008/0250989	A1	10/2008	Kozlowski et al.	

**OTHER PUBLICATIONS**

[http://www.ipadenclosures.com/ipad\\_kiosk\\_enclosure/ipad\\_kiosk\\_stands/anthro-medical-ro...](http://www.ipadenclosures.com/ipad_kiosk_enclosure/ipad_kiosk_stands/anthro-medical-ro...) \*

[http://www.motioncomputing.com/products/medical\\_cart\\_mcw.asp](http://www.motioncomputing.com/products/medical_cart_mcw.asp) \*

U.S. Appl. No. 61/744,760, filed Oct. 3, 2012, Shatskin.

\* cited by examiner

*Primary Examiner* — Robert M Spear

*Assistant Examiner* — Rhea Shields

(74) *Attorney, Agent, or Firm* — Foley & Lardner LLP

(57) **CLAIM**

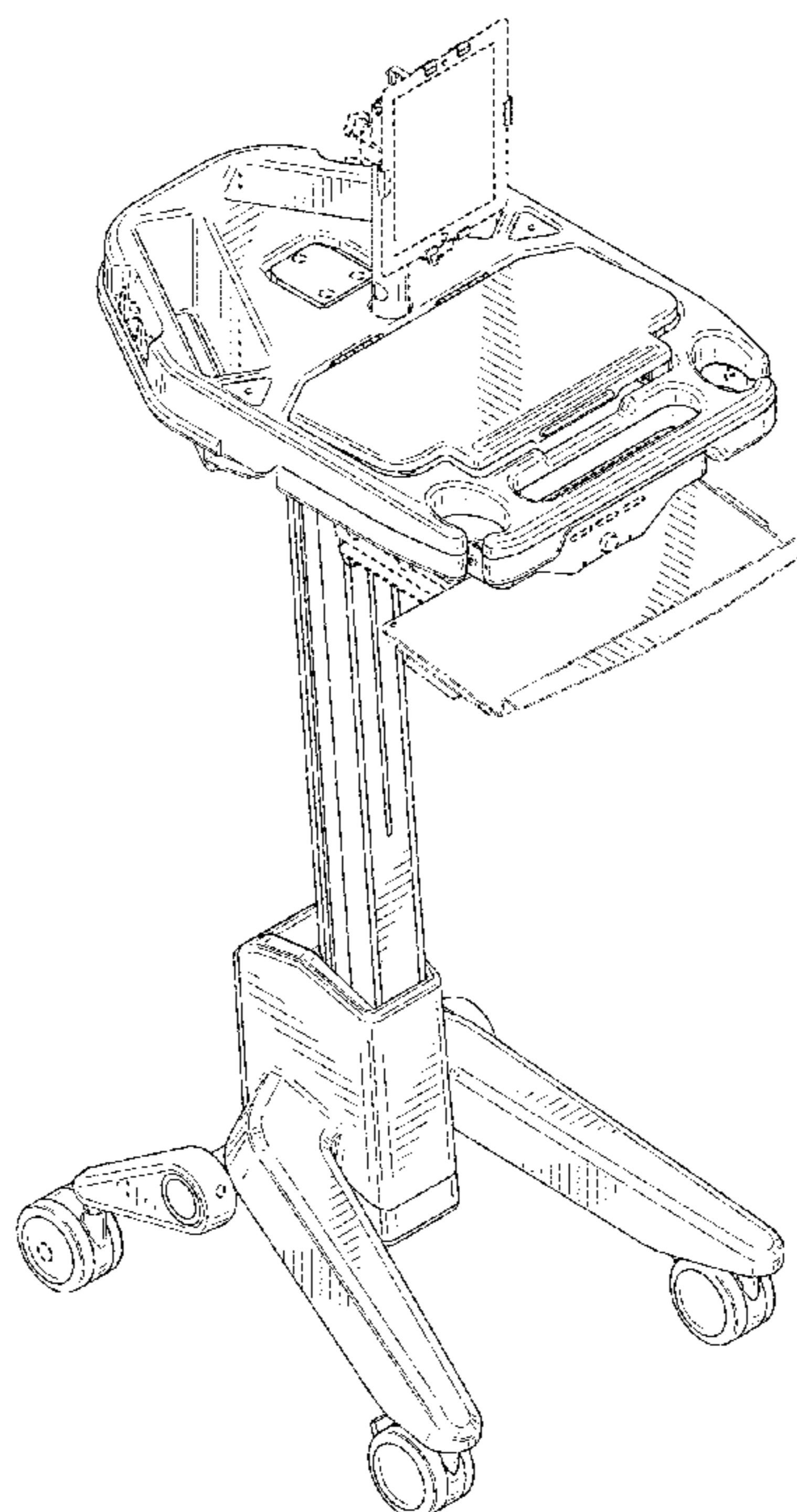
I claim the ornamental design for a medical cart, as shown and described.

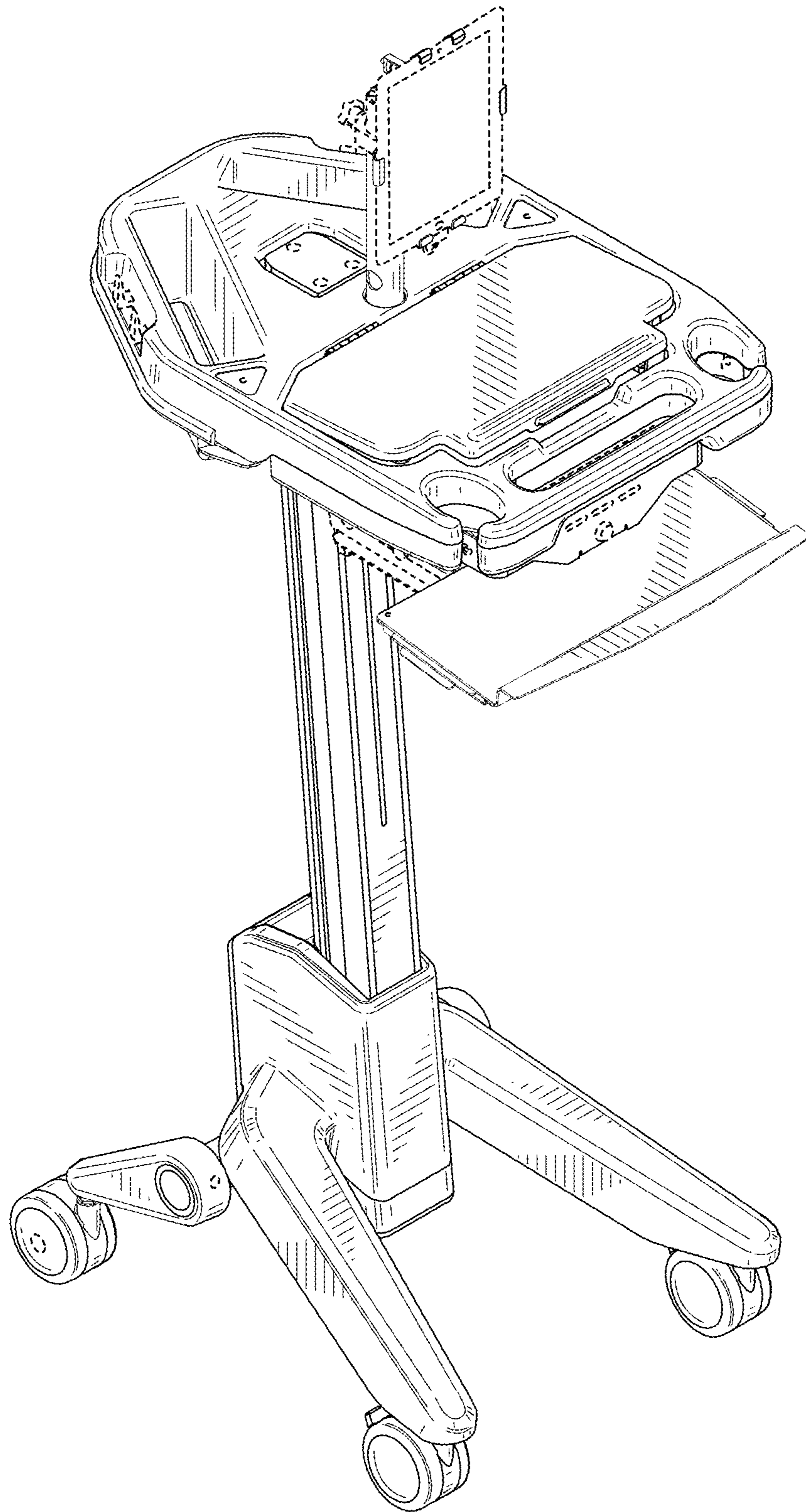
**DESCRIPTION**

FIG. 1 is a first front isometric view of the claimed design.  
FIG. 2 is a front elevational view of the claimed design of FIG. 1.  
FIG. 3 is a rear elevational view of the claimed design of FIG. 1.  
FIG. 4 is a right side elevational view of the claimed design of FIG. 1.  
FIG. 5 is a left side elevational view of the claimed design of FIG. 1.  
FIG. 6 is a top plan view of the claimed design of FIG. 1.  
FIG. 7 is a bottom plan view of the claimed design of FIG. 1; and,  
FIG. 8 is a second front isometric view of the claimed design of FIG. 1.

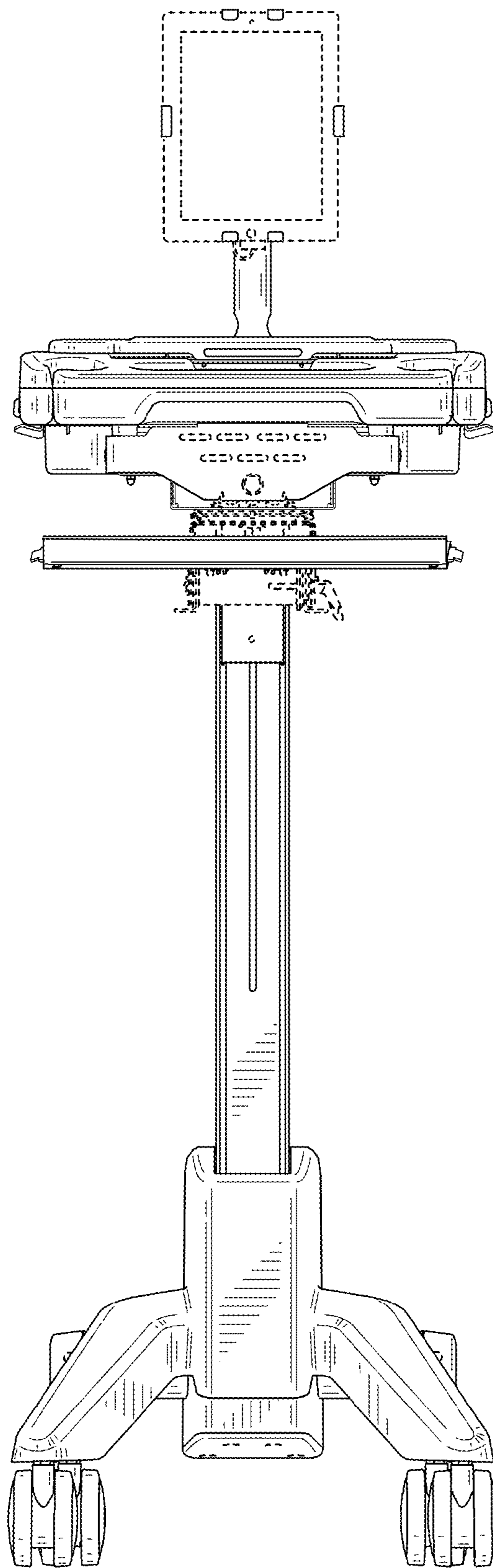
The broken lines in the drawings are for illustrative purposes only and form no part of the claimed design.

**1 Claim, 8 Drawing Sheets**





**FIG. 1**



**FIG. 2**

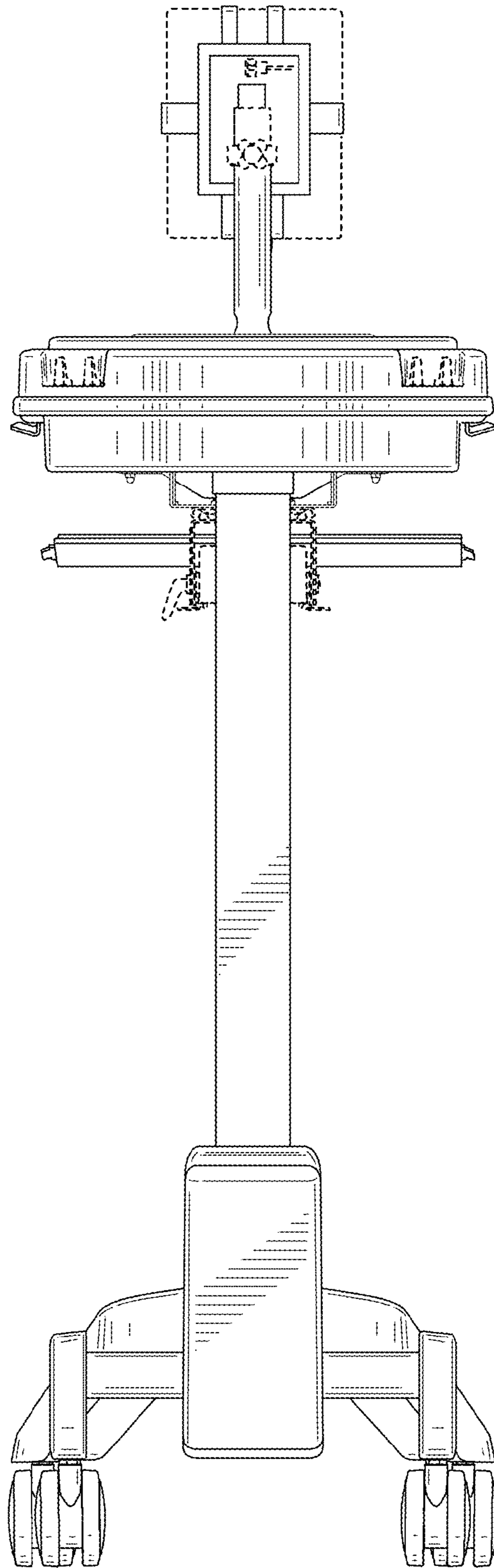


FIG. 3

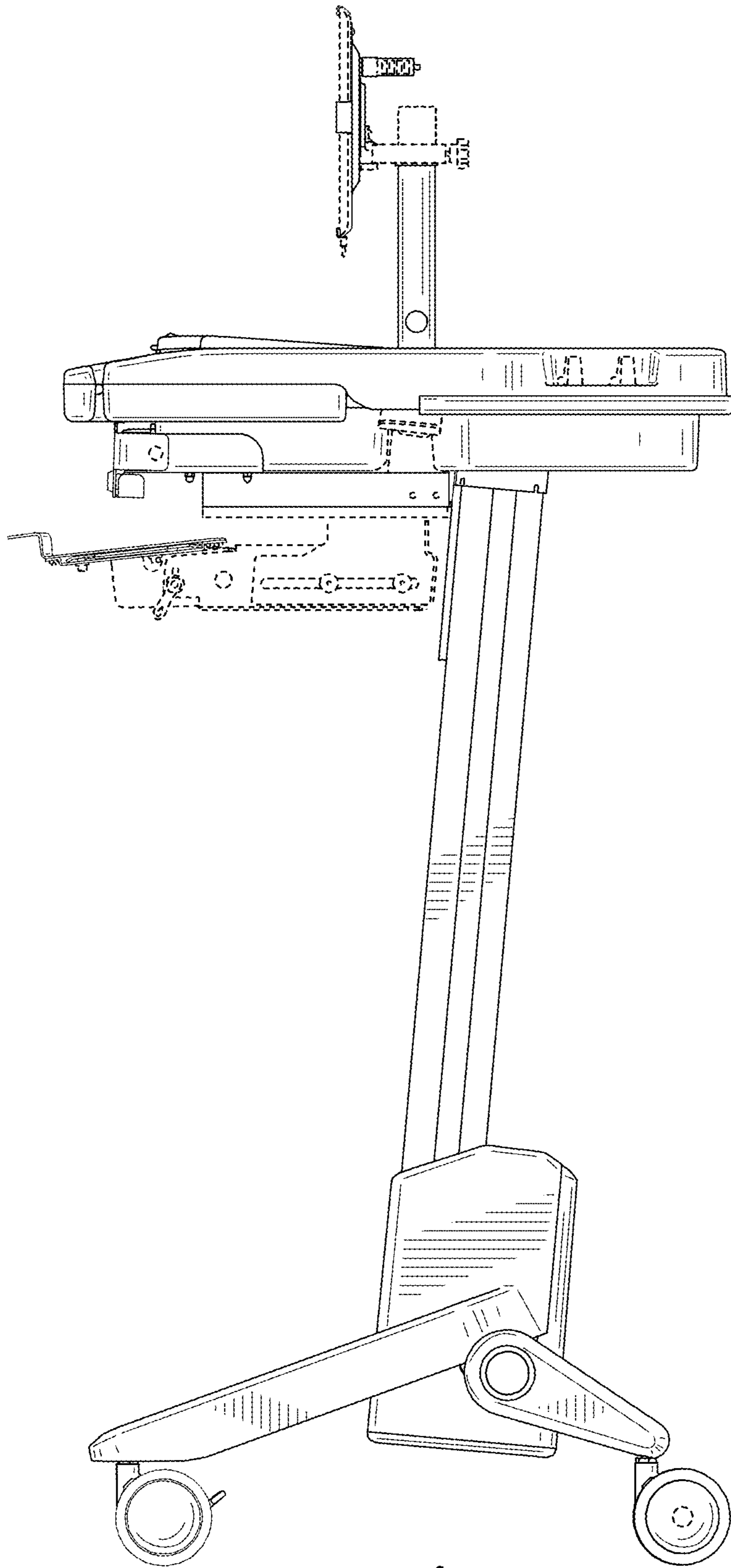


FIG. 4

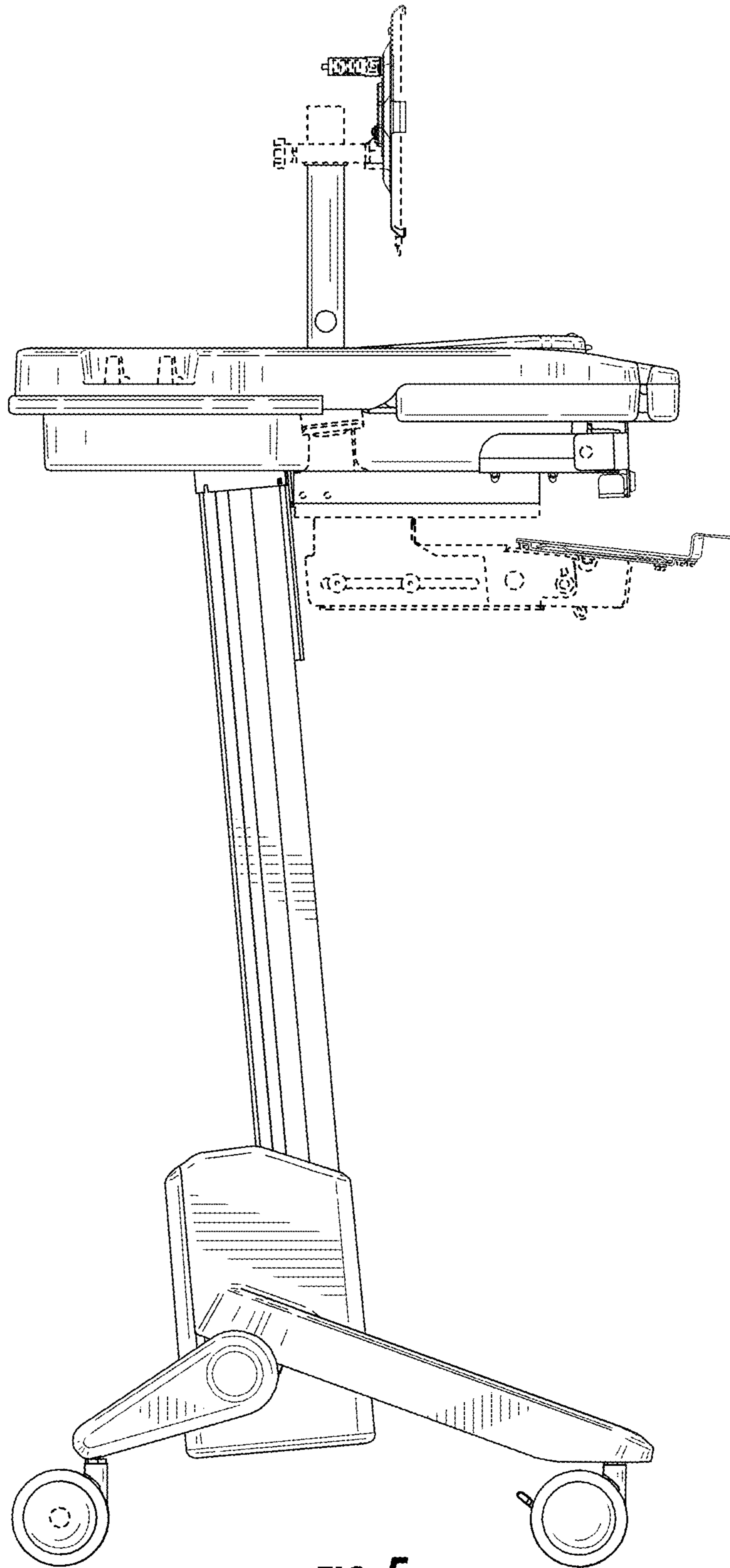
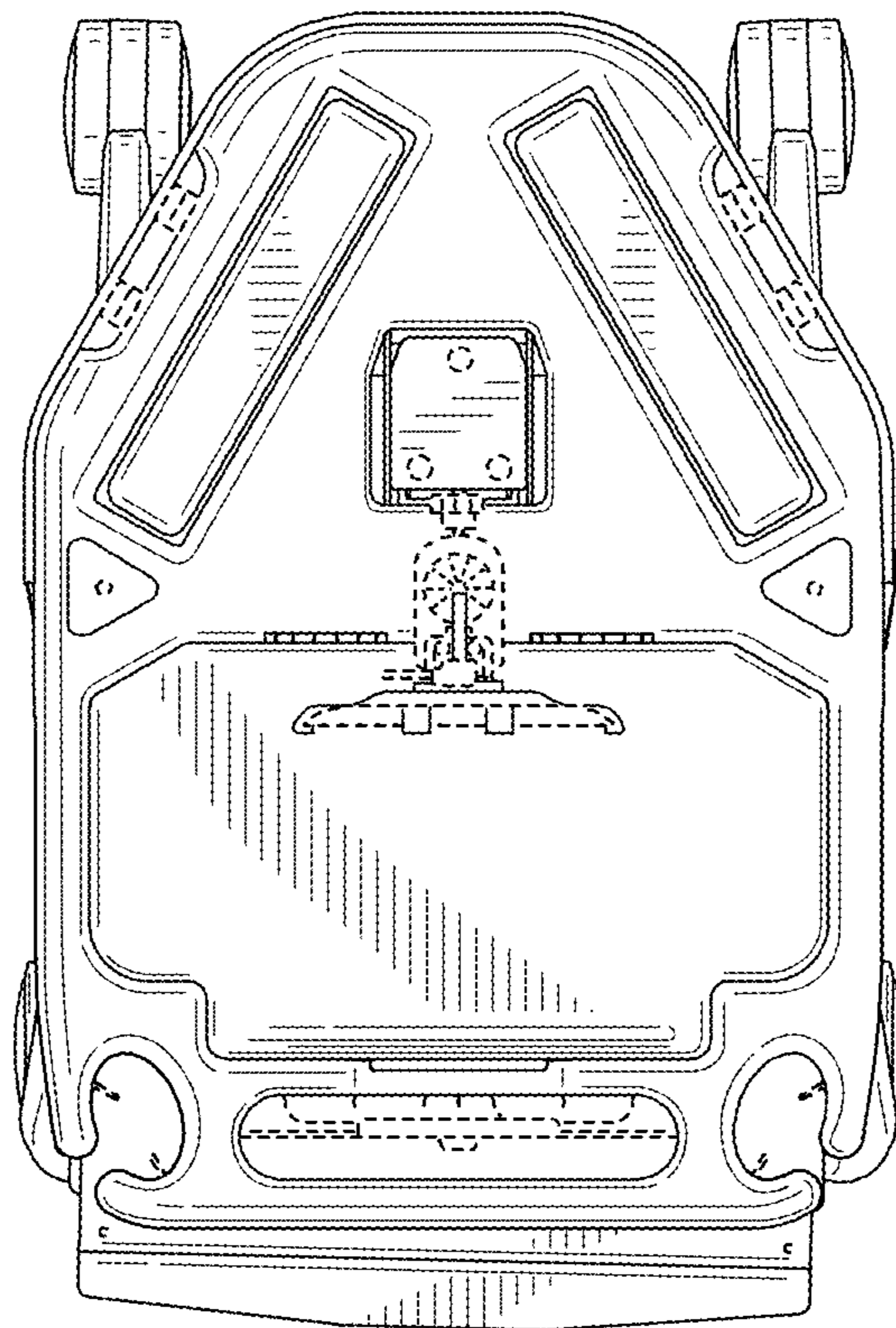
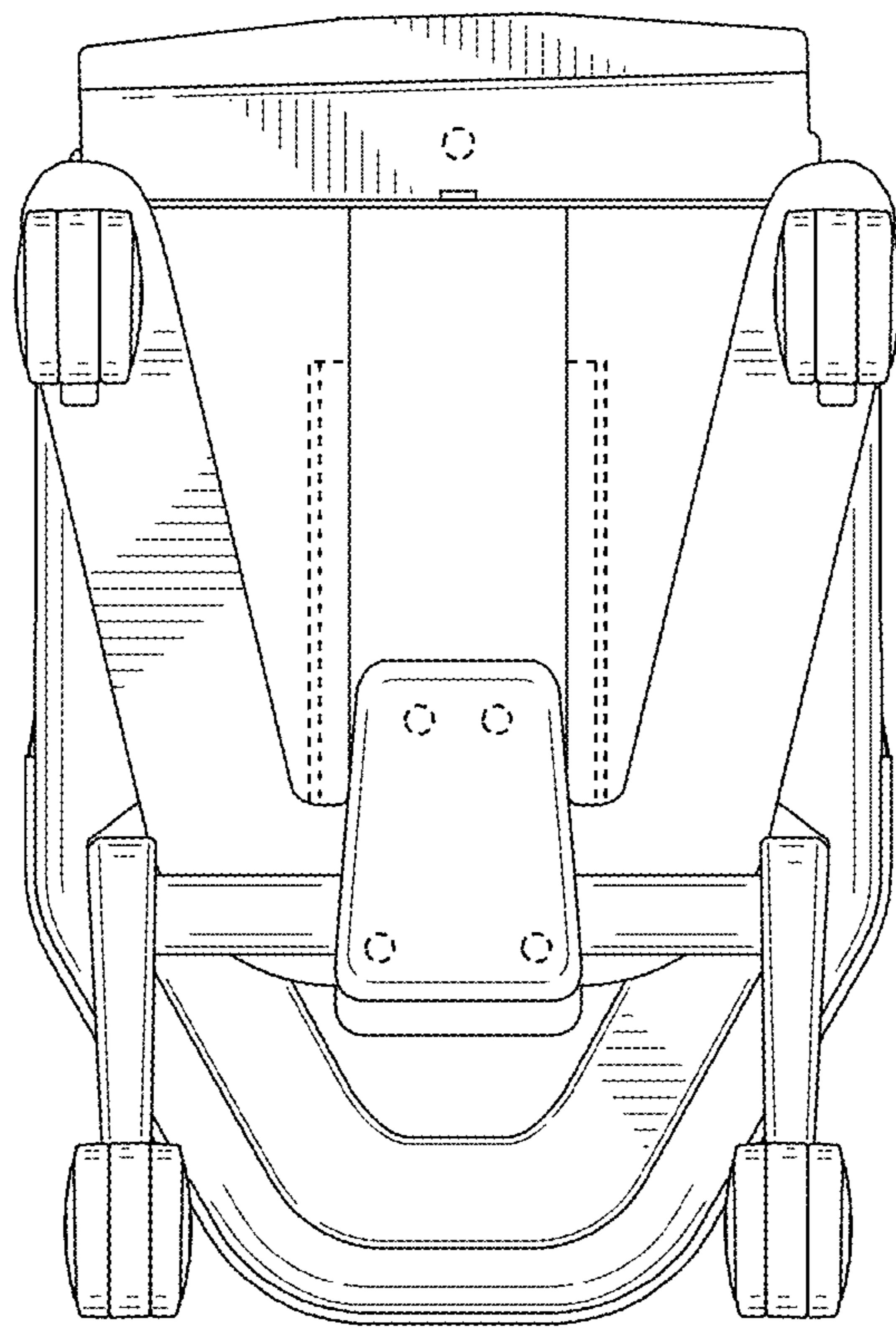


FIG. 5

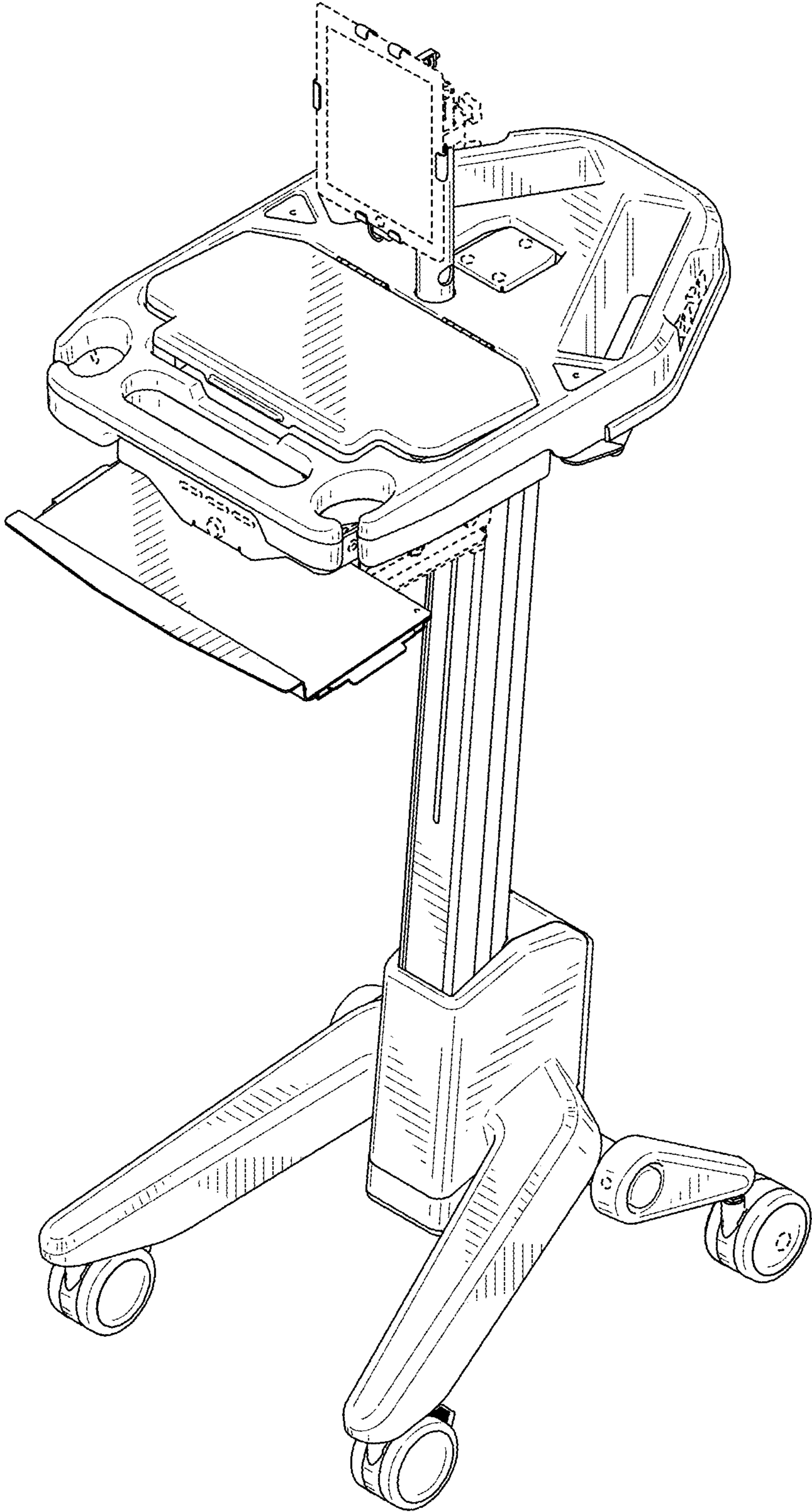


**FIG. 6**



**FIG. 7**





**FIG. 8**