



US00D700704S

(12) **United States Design Patent**
Kitt et al.

(10) **Patent No.:** **US D700,704 S**
(45) **Date of Patent:** **** Mar. 4, 2014**

(54) **ENDOSCOPY WORKSTATION**

FOREIGN PATENT DOCUMENTS

(75) Inventors: **David Kitt**, Essex (GB); **Jerry Mills**, Essex (GB)

DE 029719839 U1 1/1998
DE 029910086 U1 7/1999

(Continued)

(73) Assignee: **Keymed (Medical & Industrial Equipment) Ltd.** (GB)

OTHER PUBLICATIONS

(**) Term: **14 Years**

Japanese Patent Office: Examination Report, Application No. 2011-025751, Mar. 6, 2012.

(21) Appl. No.: **29/408,563**

(Continued)

(22) Filed: **Dec. 14, 2011**

Primary Examiner — Robert M Spear
Assistant Examiner — Rhea Shields

(30) **Foreign Application Priority Data**

(74) *Attorney, Agent, or Firm* — Luedeka Neely Group, PC

Sep. 26, 2011 (EM) 001295968-0001
Sep. 26, 2011 (EM) 001295968-0002
Oct. 19, 2011 (EM) 001298871-0001

(57) **CLAIM**

The ornamental design for an endoscopy workstation, as claimed and described.

(51) **LOC (10) Cl.** **24-00**

(52) **U.S. Cl.**
USPC **D24/185**

DESCRIPTION

(58) **Field of Classification Search**
USPC D24/130, 143, 150, 164, 170, 171, 172,
D24/183, 185, 186, 188, 190, 221, 234;
351/206, 224, 226
See application file for complete search history.

FIG. 1 is frontal perspective view of the endoscopy workstation of our new design;
FIG. 2 is a front plan view of the endoscopy workstation of our new design;
FIG. 3 is a rear plan view of the endoscopy workstation of our new design;
FIG. 4 is a right side view of the endoscopy workstation of our new design;
FIG. 5 is a left side view of the endoscopy workstation of our new design;
FIG. 6 is a top plan view of the endoscopy workstation of our new design;
FIG. 7 is a bottom plan view of the endoscopy workstation of our new design; and,
FIG. 8 is an enlarged view of a portion of FIG. 1.
The broken lines in the figures illustrate unclaimed environment only and form no part of the claimed design.

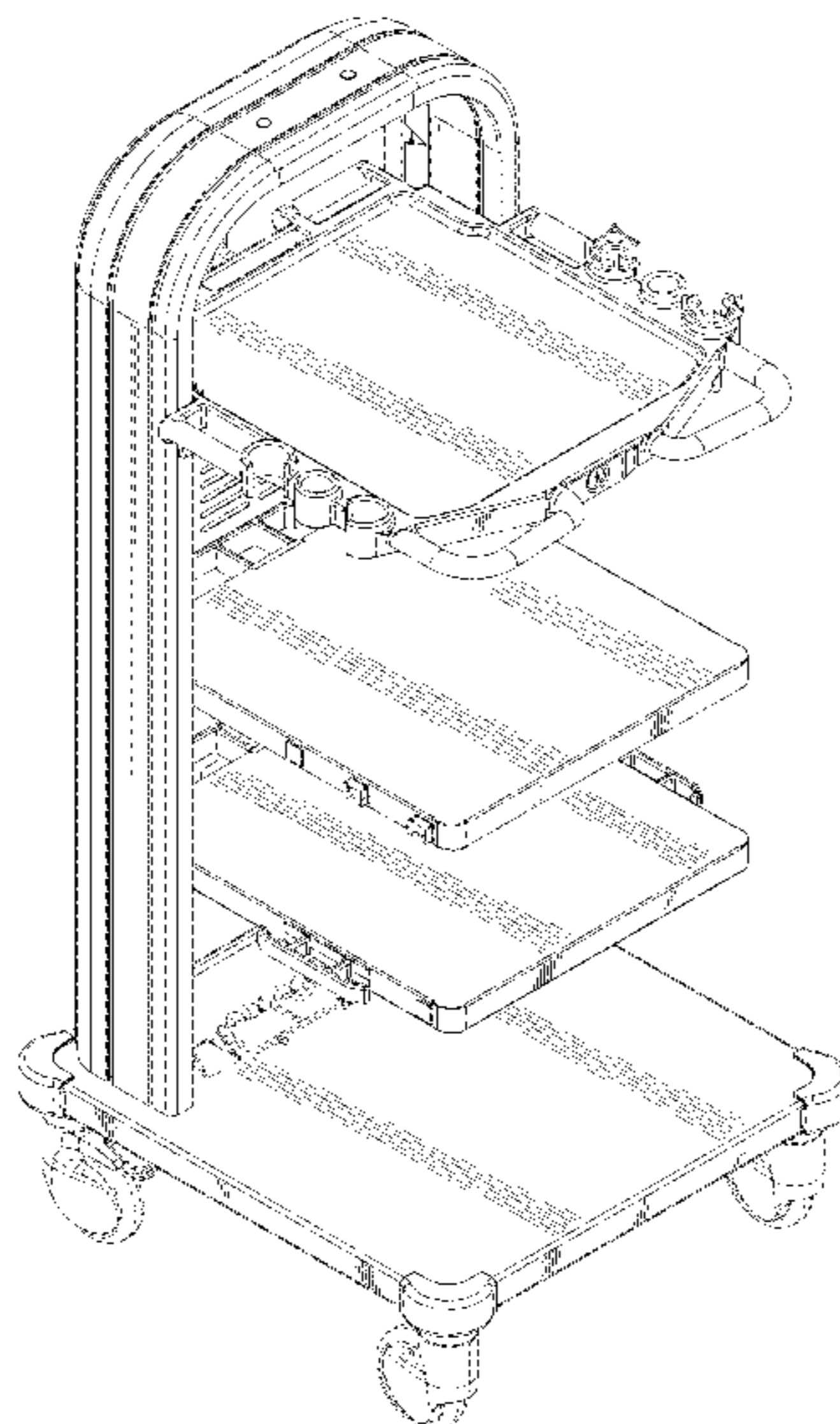
(56) **References Cited**

U.S. PATENT DOCUMENTS

1,660,898 A 2/1928 Worley, Jr.
1,778,075 A 12/1929 Harris
4,230,052 A 10/1980 Champagne
4,615,278 A 10/1986 Cabrelli
4,892,044 A 1/1990 Welsch
D337,822 S * 7/1993 Janke D24/185
5,590,974 A 1/1997 Yang
7,424,958 B1 9/2008 Eley
D625,071 S * 10/2010 Shigeno et al. D34/17
D655,013 S * 2/2012 Sabaris Vilas D24/185

(Continued)

1 Claim, 8 Drawing Sheets



(56)

References Cited

U.S. PATENT DOCUMENTS

2004/0182804 A1 9/2004 Harper
2005/0045573 A1 3/2005 Winig et al.
2012/0111818 A1* 5/2012 Kitt et al. 211/134

FOREIGN PATENT DOCUMENTS

DE 020207265 U1 9/2002
EP 0104678 A1 4/1984
GB 0870428 A 6/1961
GB 1549138 A 8/1979
GB 2214414 A 9/1989
GB 2473805 B 10/2011

GB 2481835 A 1/2012
JP 2009000169 A 1/2009
JP 2011025751 2/2011

OTHER PUBLICATIONS

Webpage: http://olympus.co.jp/jp/news/2011b/image/nr110712viseraj_01.jpg, Jul. 29, 2011 (see p. 2 of Japanese Exam Report listed above).

European Patent Office, Authorized Officer Jan Petzold International Search Report PCT/GB2010/001305 date of mailing Nov. 5, 2010.

European Patent Office, Authorized Officer Jan Petzold International Search Report PCT/GB2010/001303 date of mailing Oct. 18, 2010.

* cited by examiner

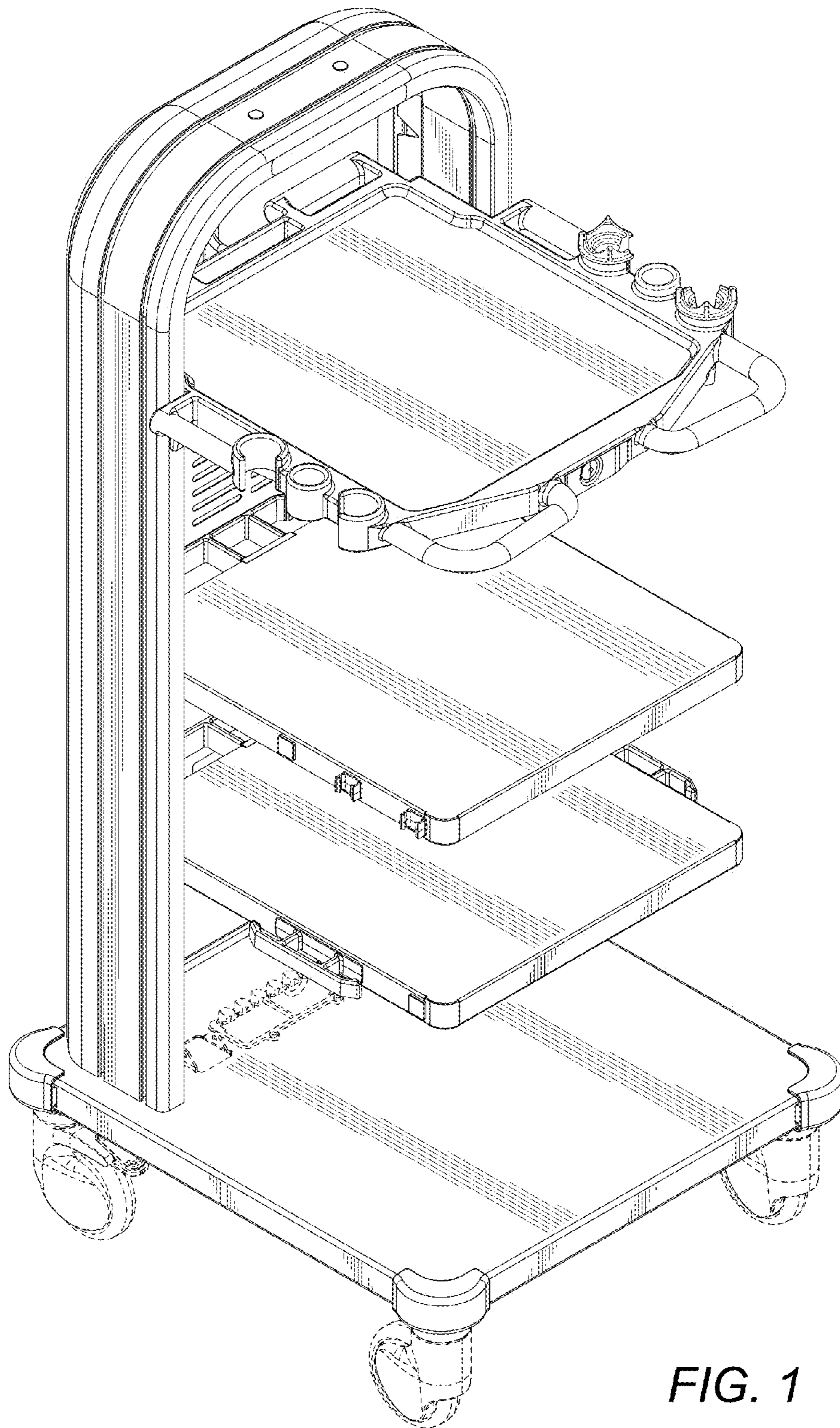


FIG. 1

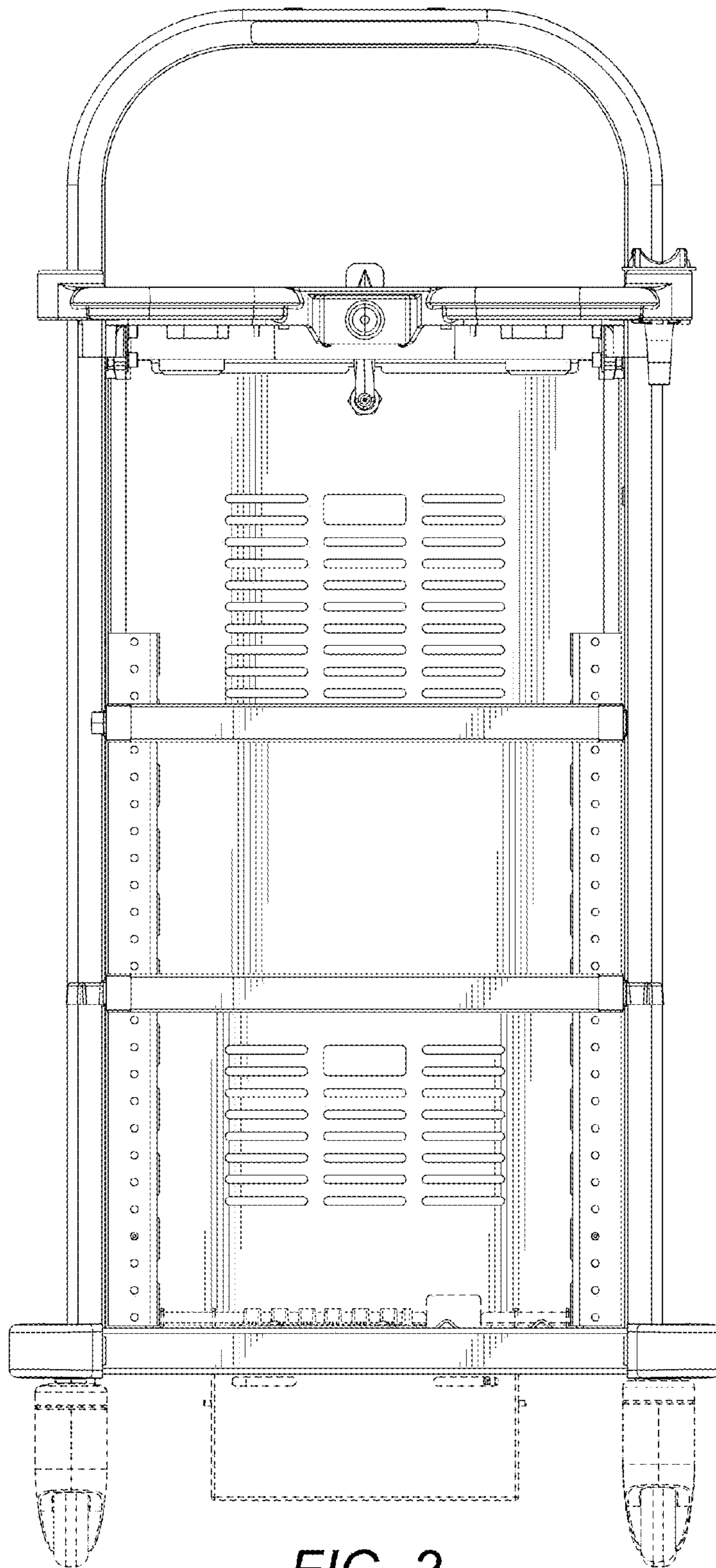


FIG. 2

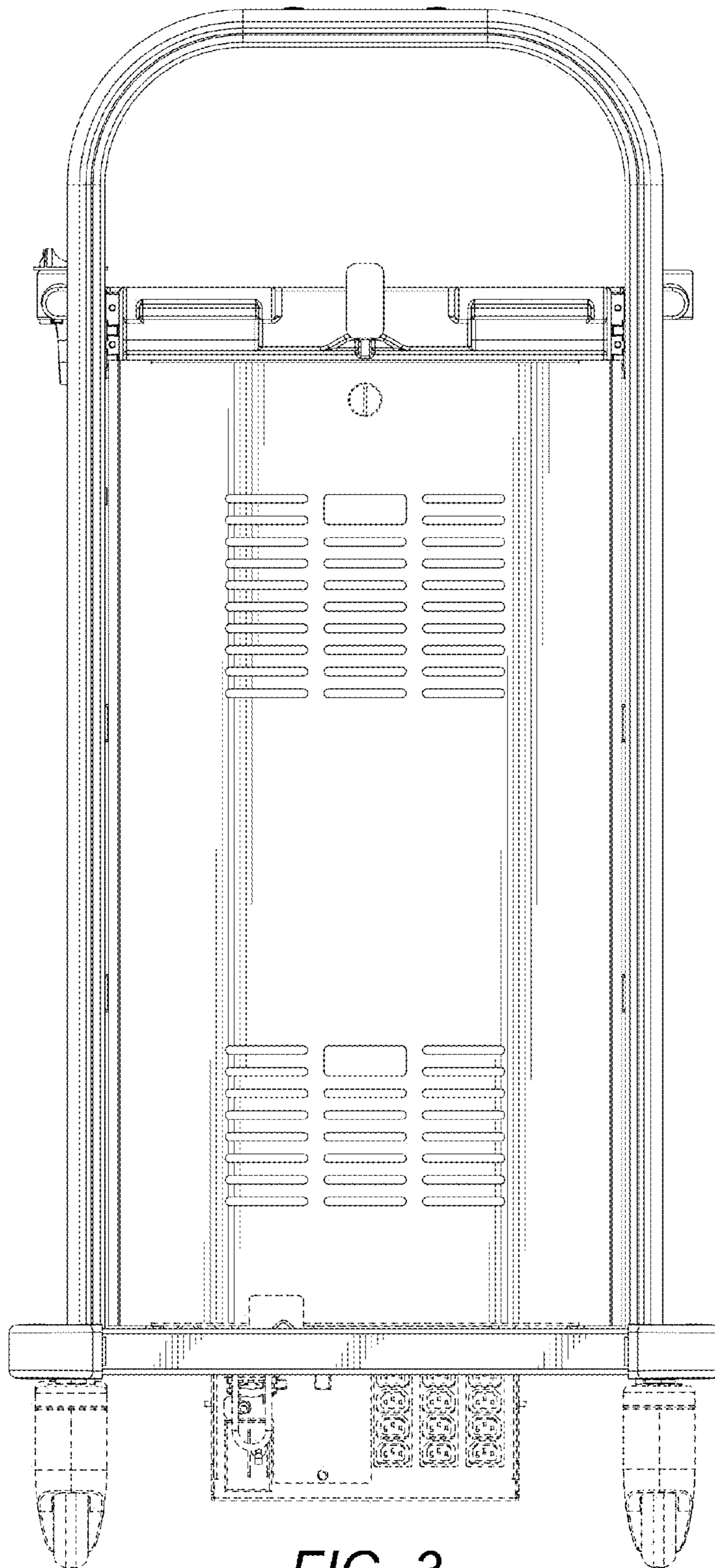


FIG. 3

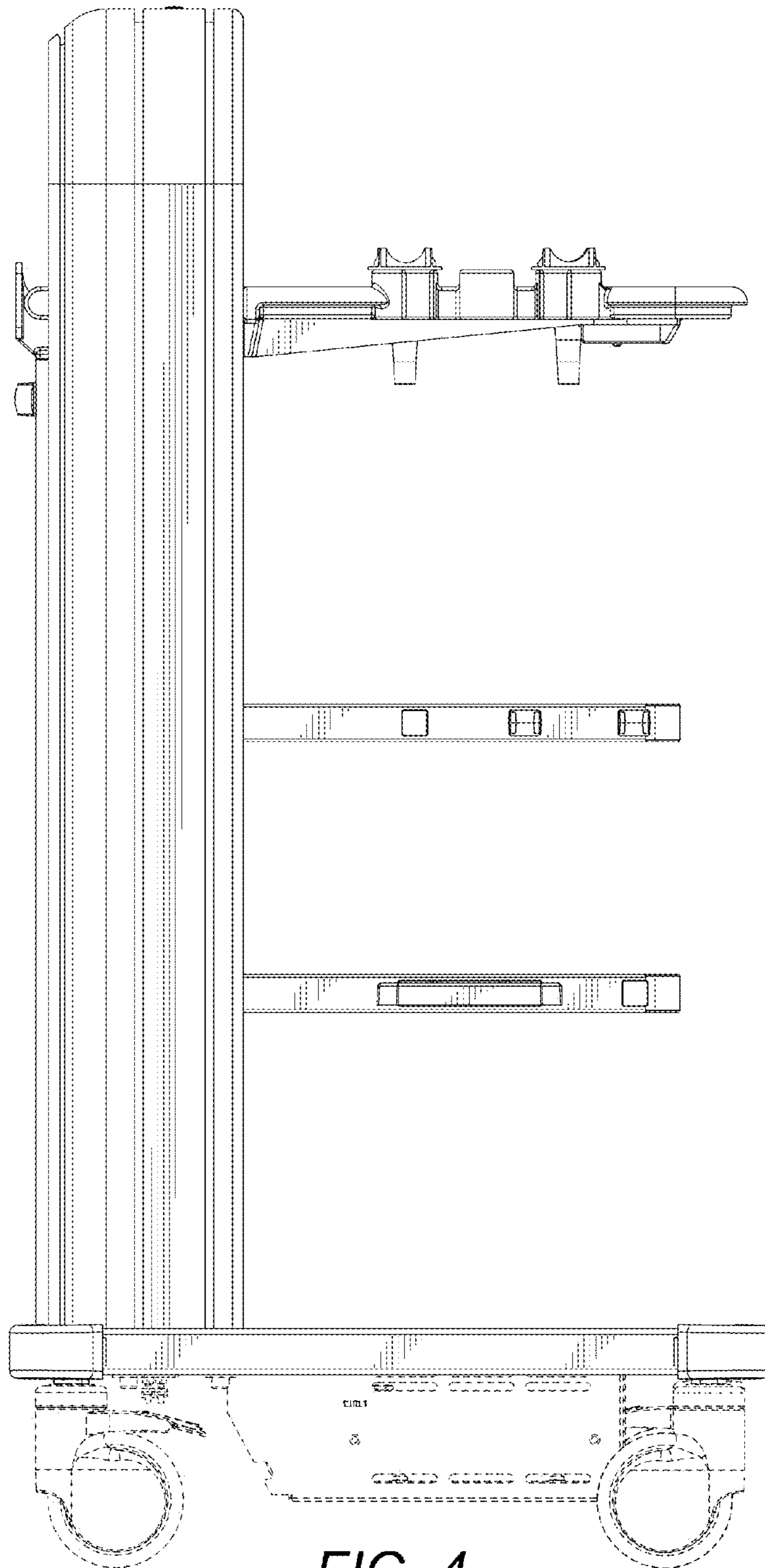


FIG. 4

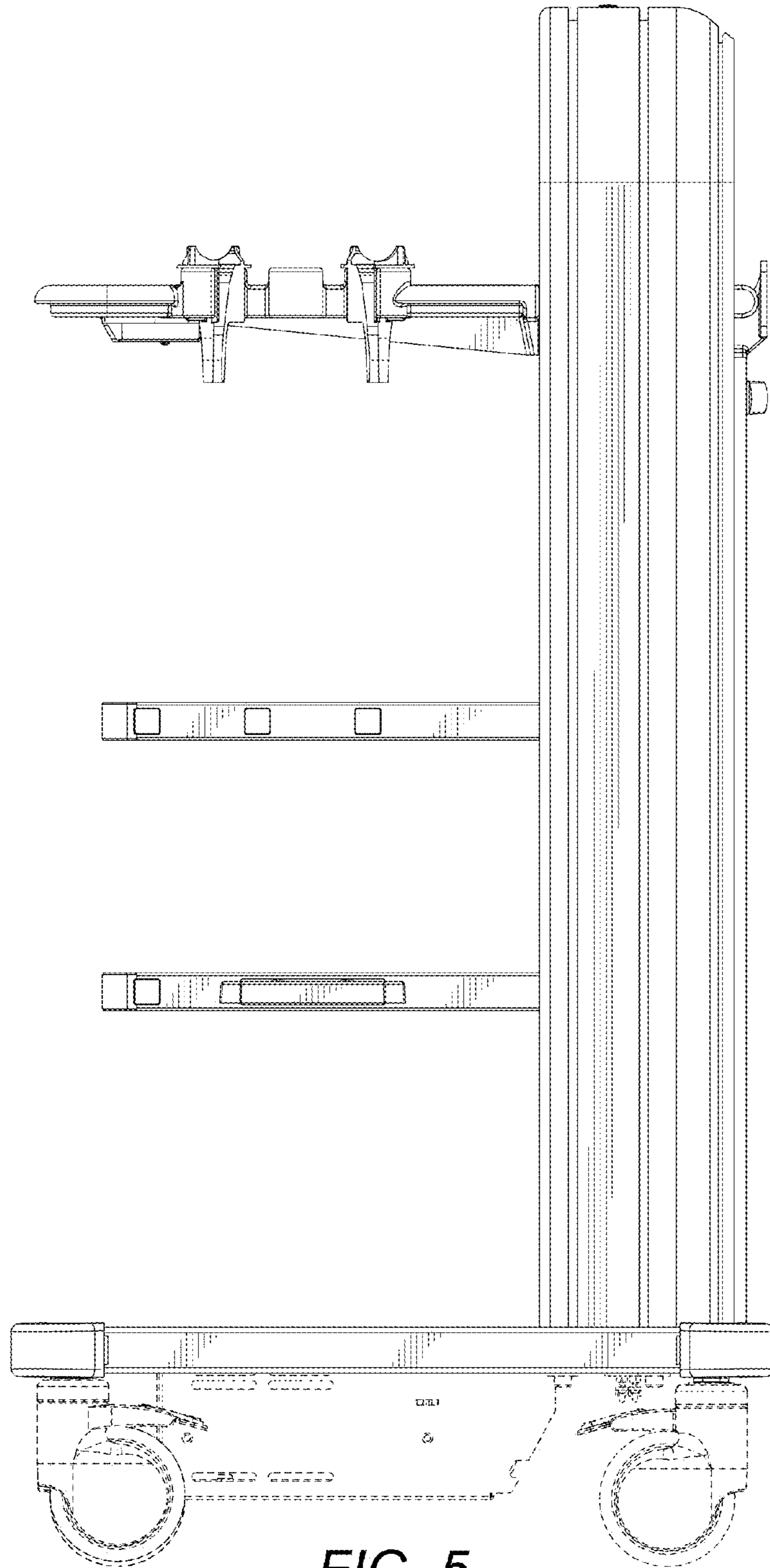


FIG. 5

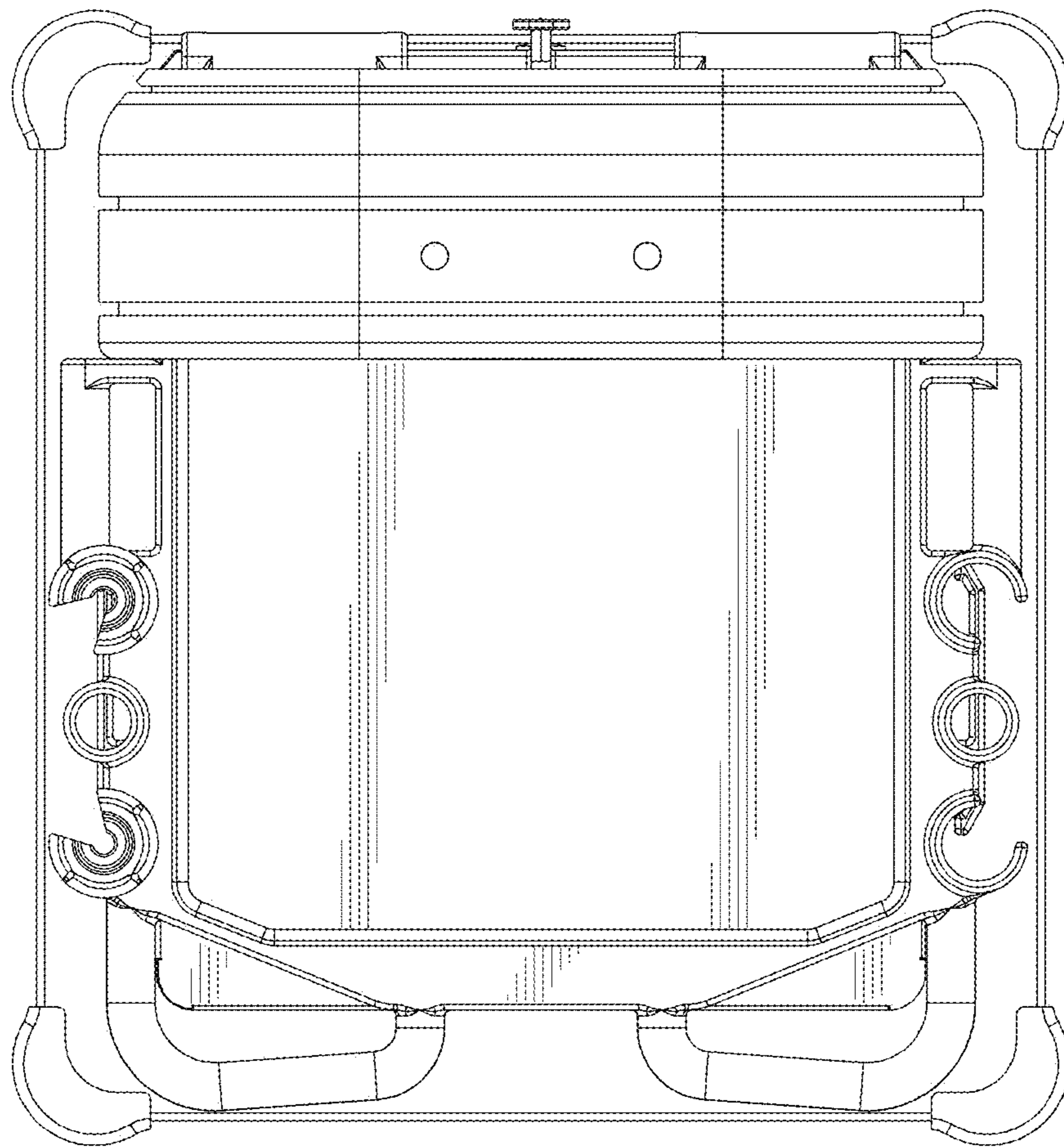


FIG. 6

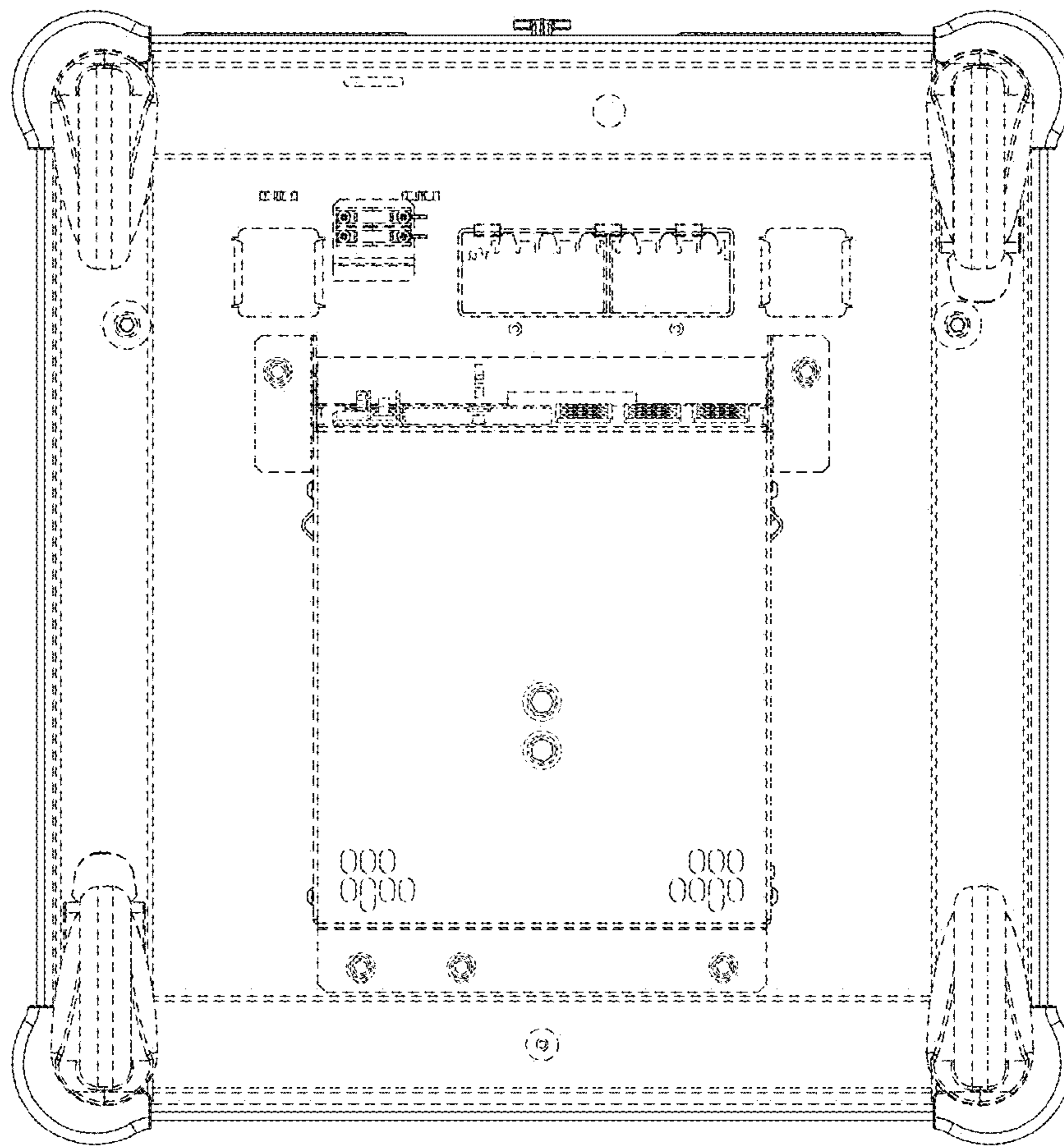


FIG. 7

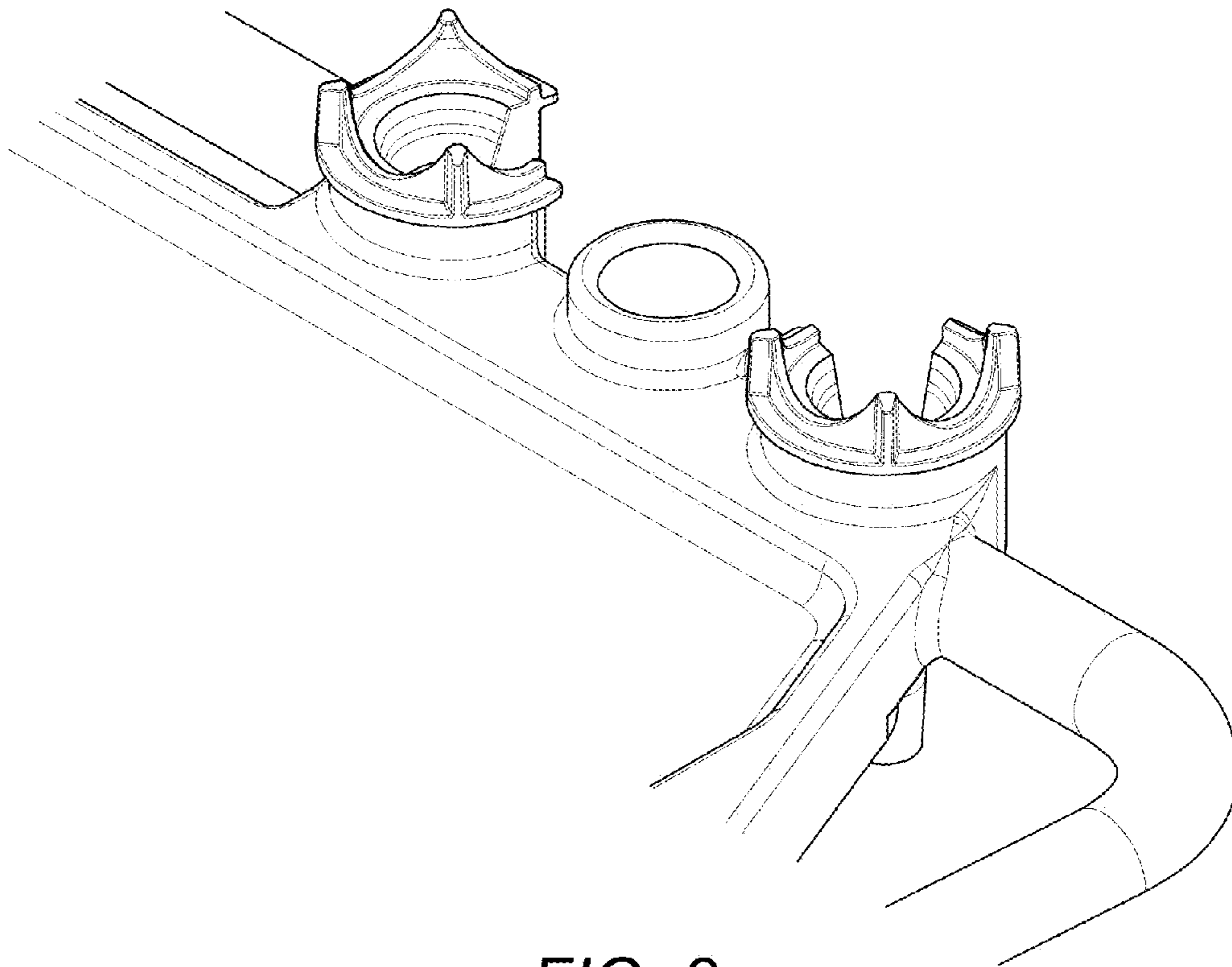


FIG. 8