



(12) **United States Design Patent**
Cho

(10) **Patent No.:** **US D700,703 S**
(45) **Date of Patent:** **** Mar. 4, 2014**

(54) **DENTAL JIG FOR DRILLING LINGUAL WALL**

(75) Inventor: **Sang Choon Cho**, New York, NY (US)

(73) Assignee: **EBI Co., Ltd.** (KR)

(**) Term: **14 Years**

(21) Appl. No.: **29/422,016**

(22) Filed: **May 15, 2012**

(30) **Foreign Application Priority Data**

Nov. 18, 2011 (KR) 30-2011-0048724

(51) **LOC (10) Cl.** **24-01**

(52) **U.S. Cl.**
USPC **D24/176**

(58) **Field of Classification Search**
USPC D24/152, 155-156, 176-177, 180-181,
D24/140; 433/3, 6, 9-10, 15, 17, 71-72, 75,
433/140, 172, 173-175, 215, 225
See application file for complete search history.

(56) **References Cited**

U.S. PATENT DOCUMENTS

3,445,935 A * 5/1969 Marshall 433/71
4,708,655 A * 11/1987 Weissman 433/225
4,820,159 A * 4/1989 Weissman 433/225
4,998,881 A * 3/1991 Lauks 433/173

7,137,816 B2 * 11/2006 Gervais et al. 433/173
8,333,587 B2 * 12/2012 Jamison 433/75
8,388,342 B2 * 3/2013 De Clerck 433/174
2010/0136500 A1 * 6/2010 Suter et al. 433/75

* cited by examiner

Primary Examiner — Wan Laymon

(74) *Attorney, Agent, or Firm* — St. Onge Steward Johnston & Reens LLC

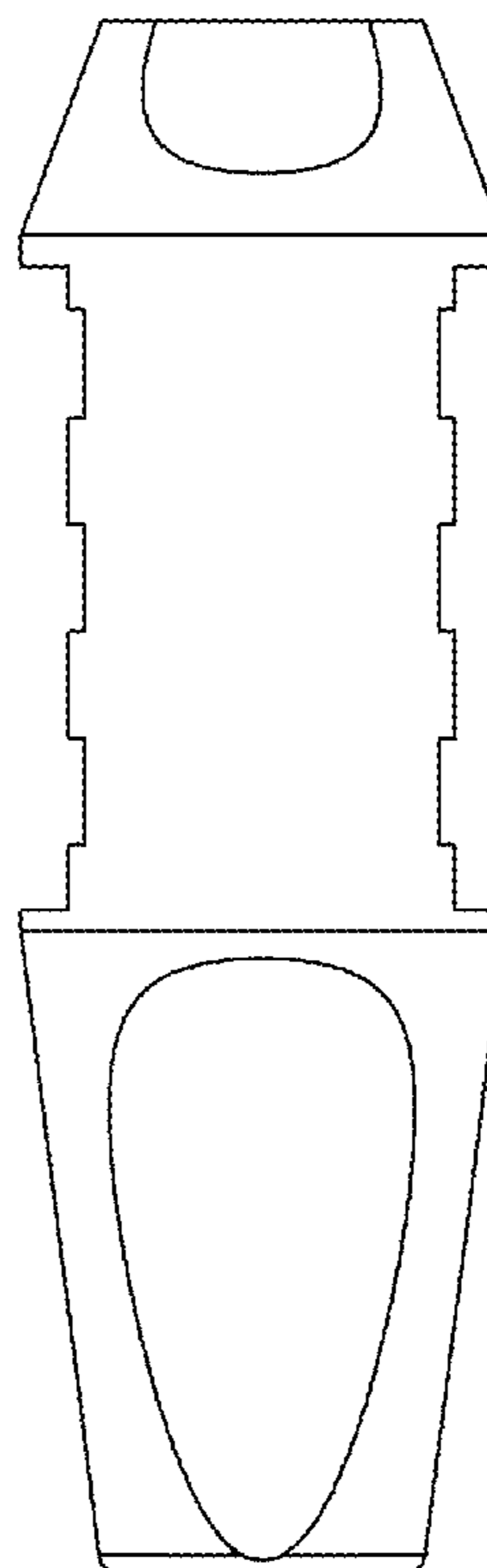
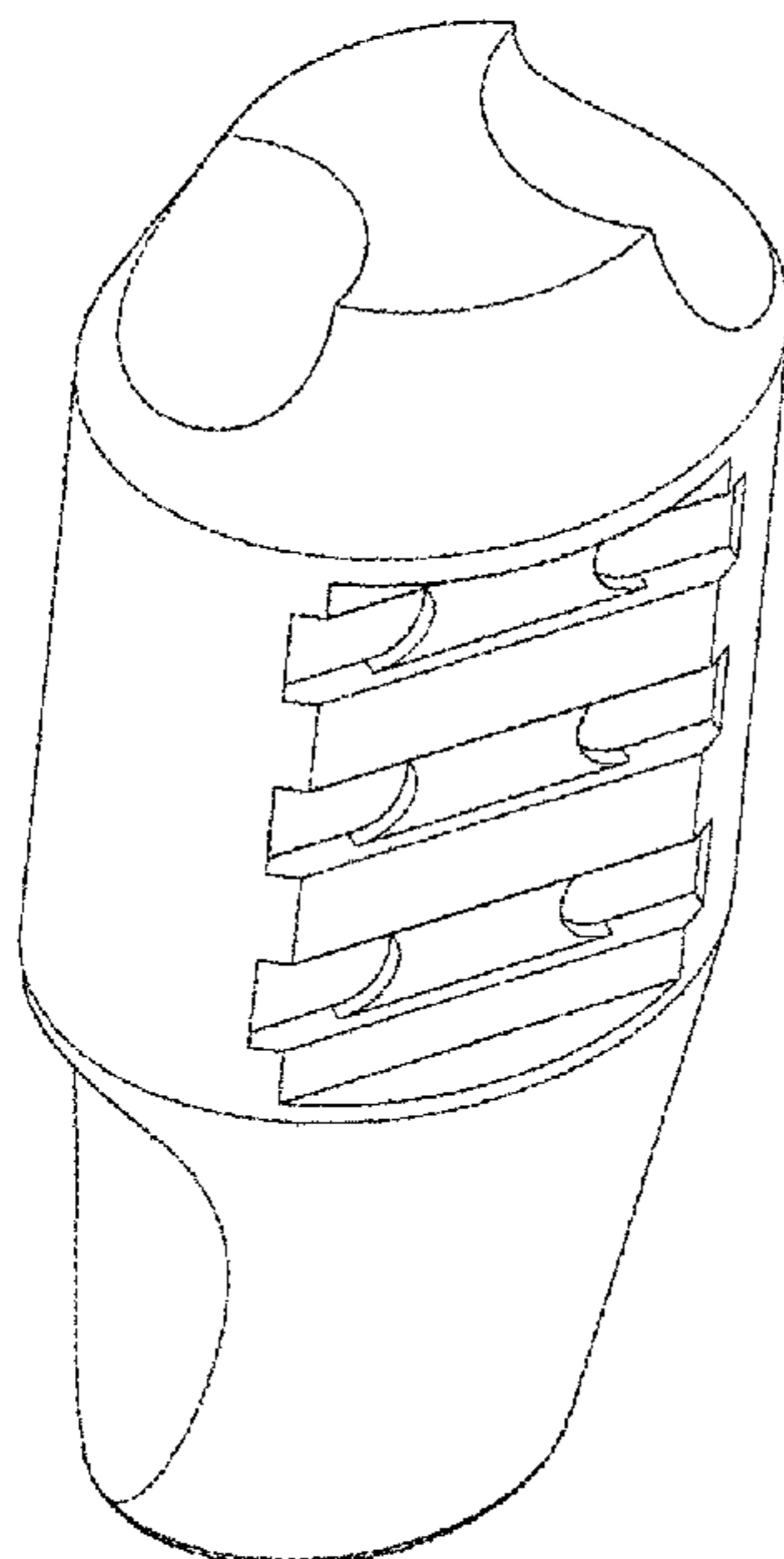
(57) **CLAIM**

The ornamental design for a dental jig for drilling lingual wall, as shown and described.

DESCRIPTION

FIG. 1 is a top front perspective view of a dental jig for drilling lingual wall in accordance with the new design;
FIG. 2 is a front elevational view thereof;
FIG. 3 is a rear elevational view thereof;
FIG. 4 is a right side elevational view thereof;
FIG. 5 is a left side elevational view thereof;
FIG. 6 is a bottom plan view thereof;
FIG. 7 is a top plan view thereof;
FIG. 8 is a cross-sectional view thereof, taken along the line 8-8 of FIG. 7; and,
FIG. 9 is a perspective view thereof, showing connection with a grip by one of several grooves formed on its main body.
The broken lines shown in FIGS. 6 and 9 represent the bounds of the claimed design and form no part of the claimed design.

1 Claim, 8 Drawing Sheets



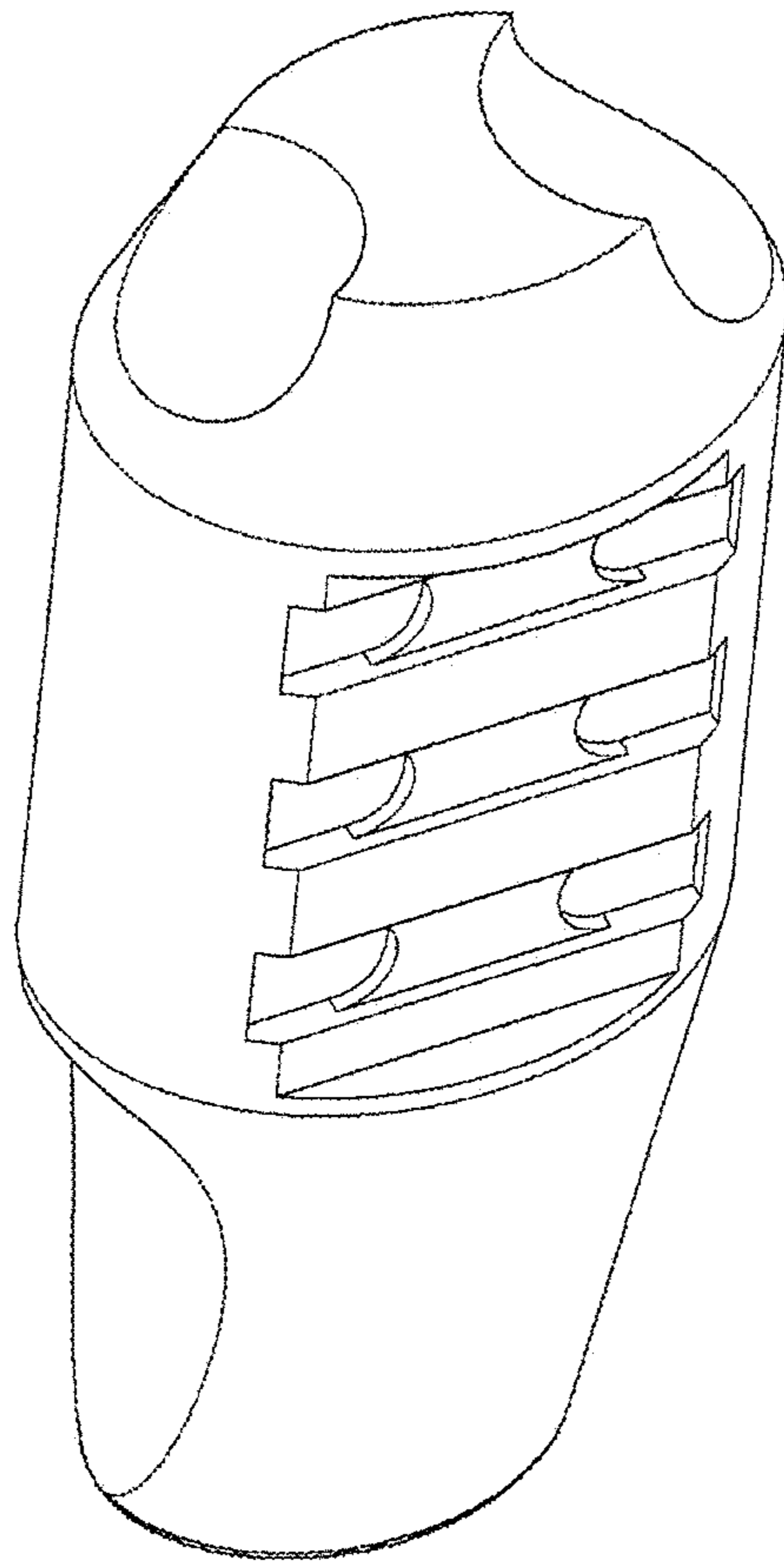


FIG. 1

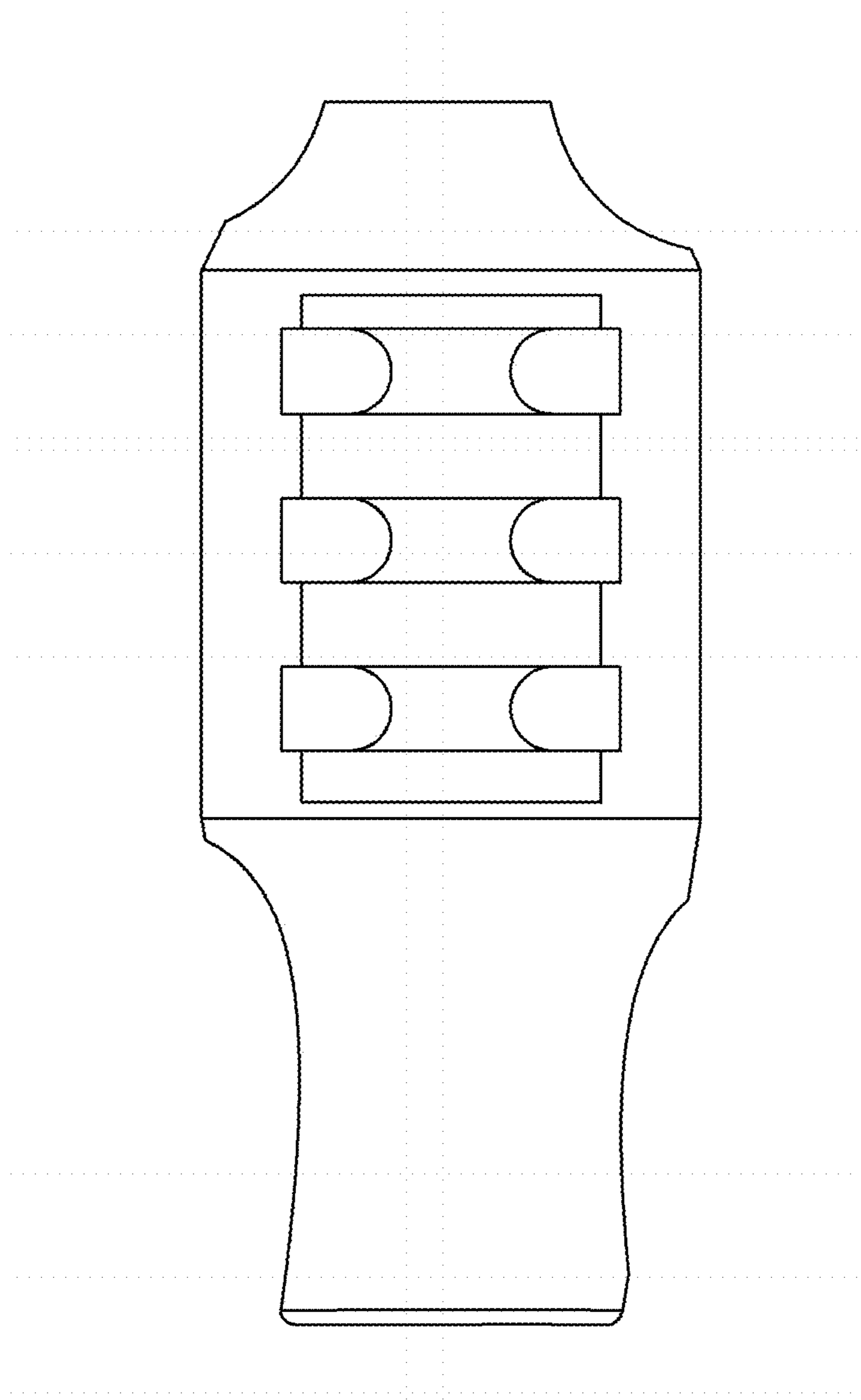


FIG. 2

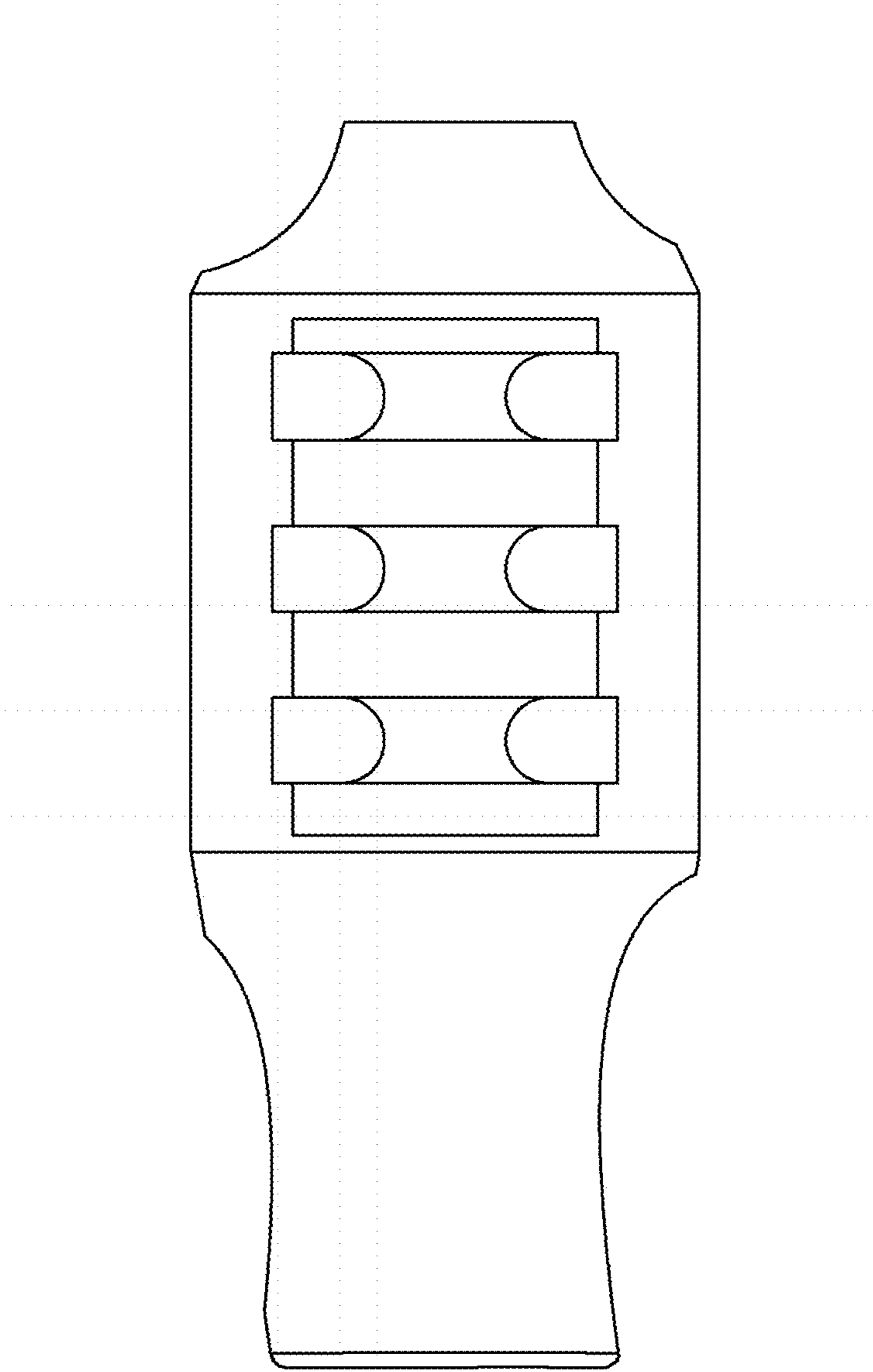


FIG. 3

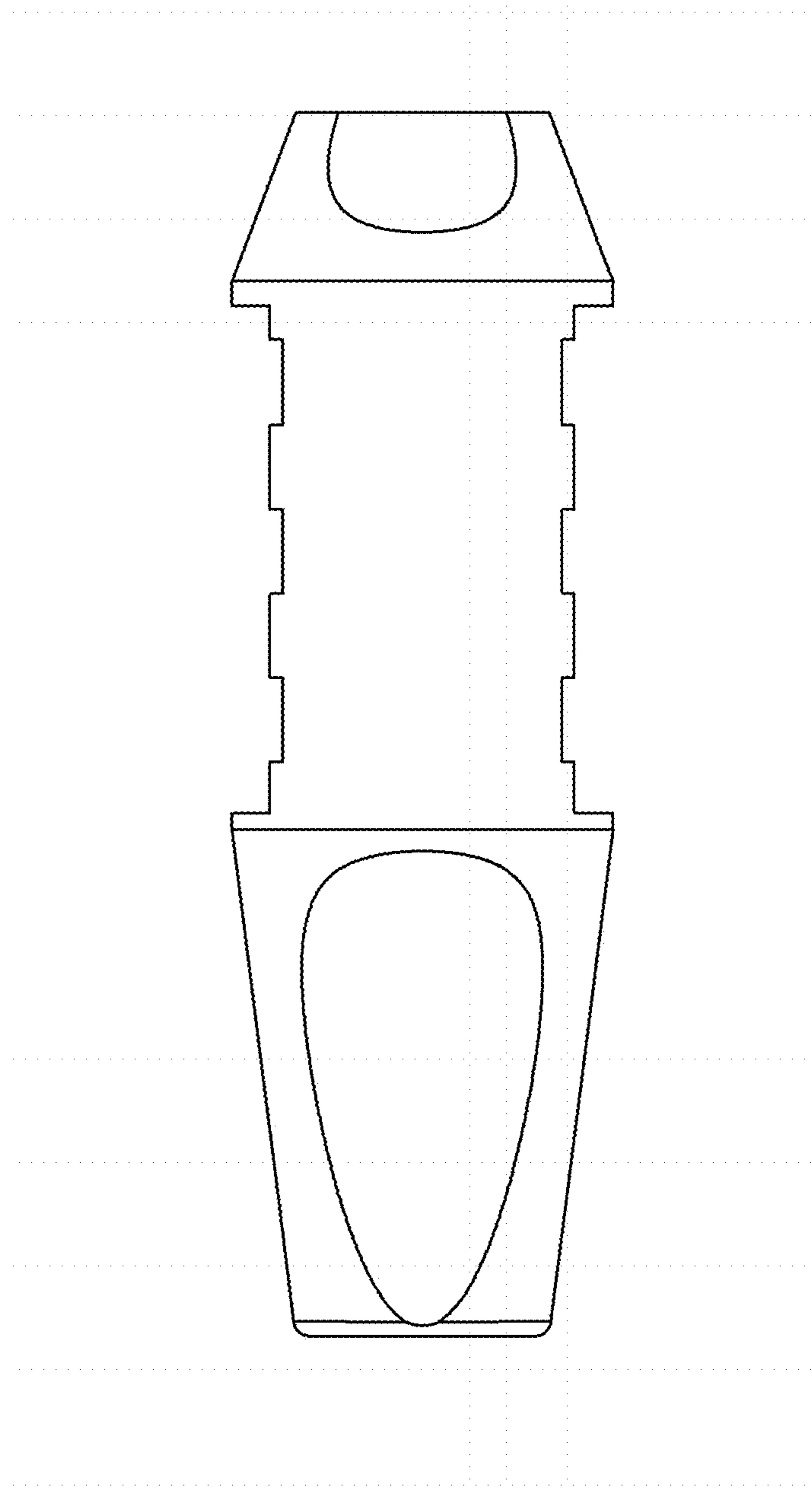


FIG. 4

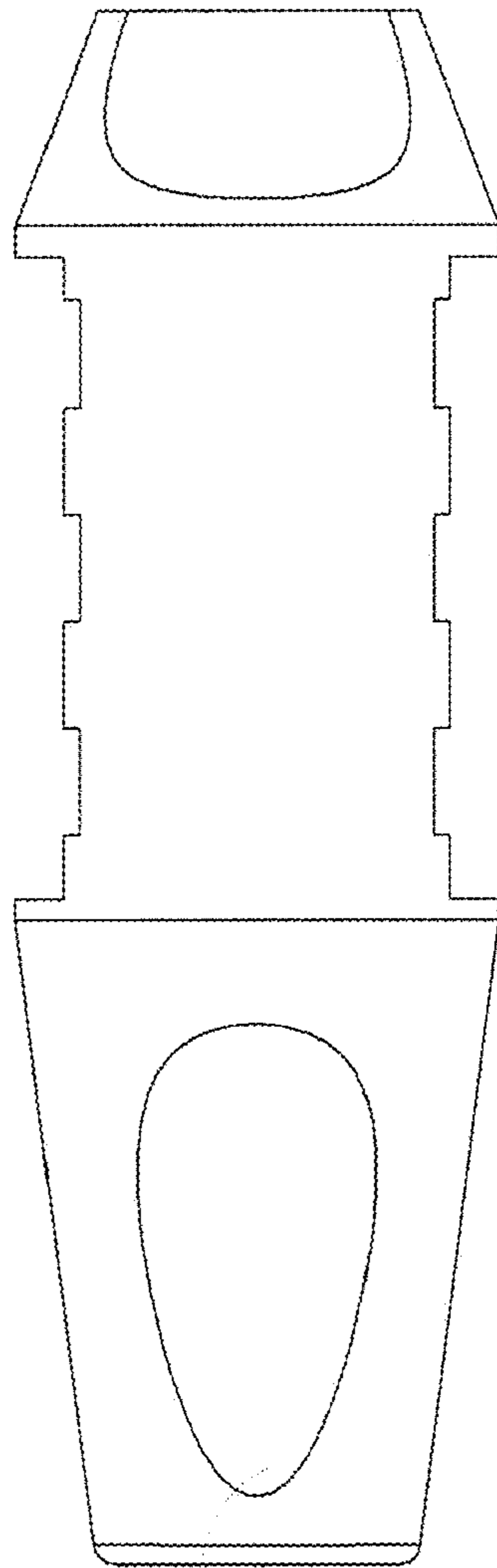


FIG. 5

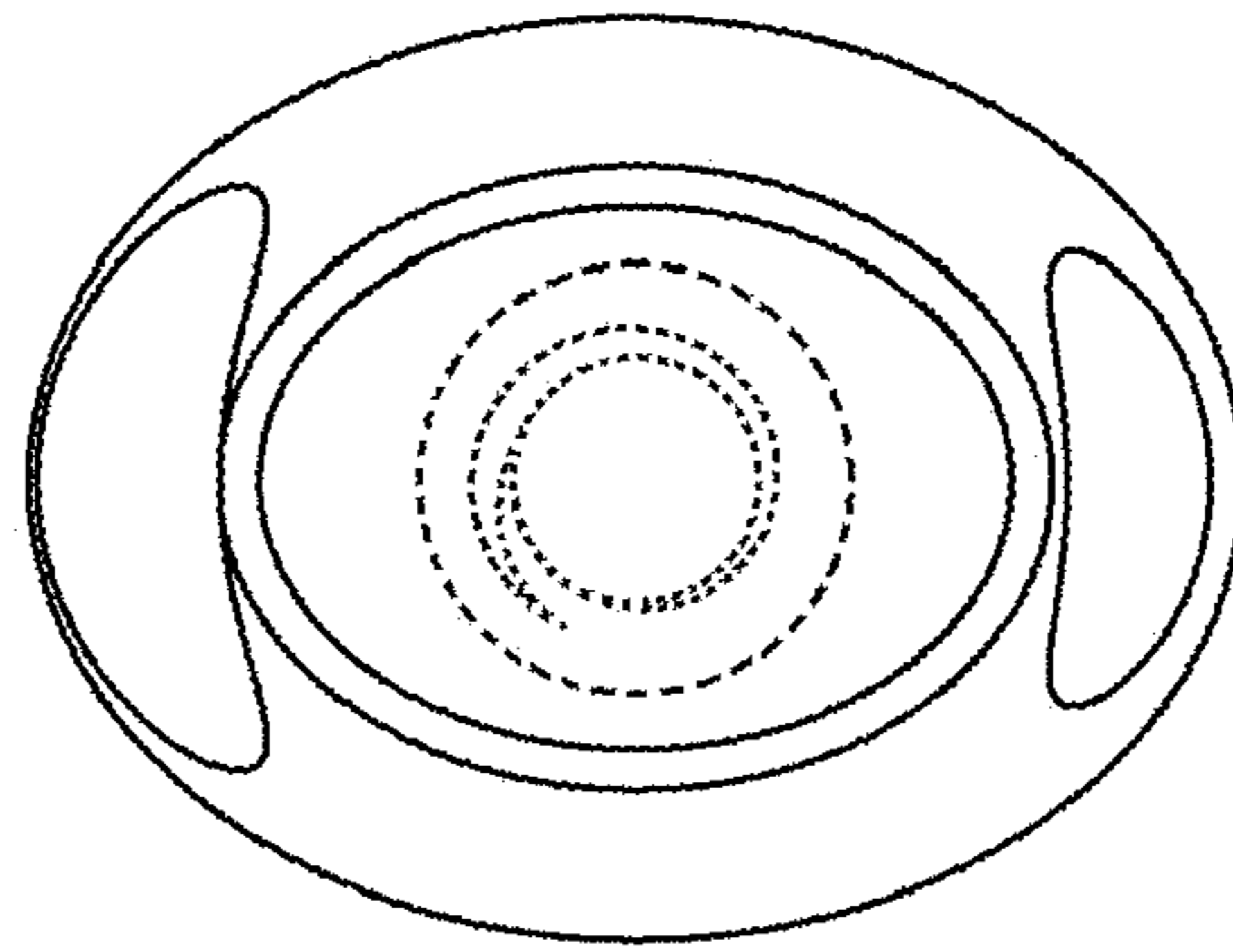


FIG. 6

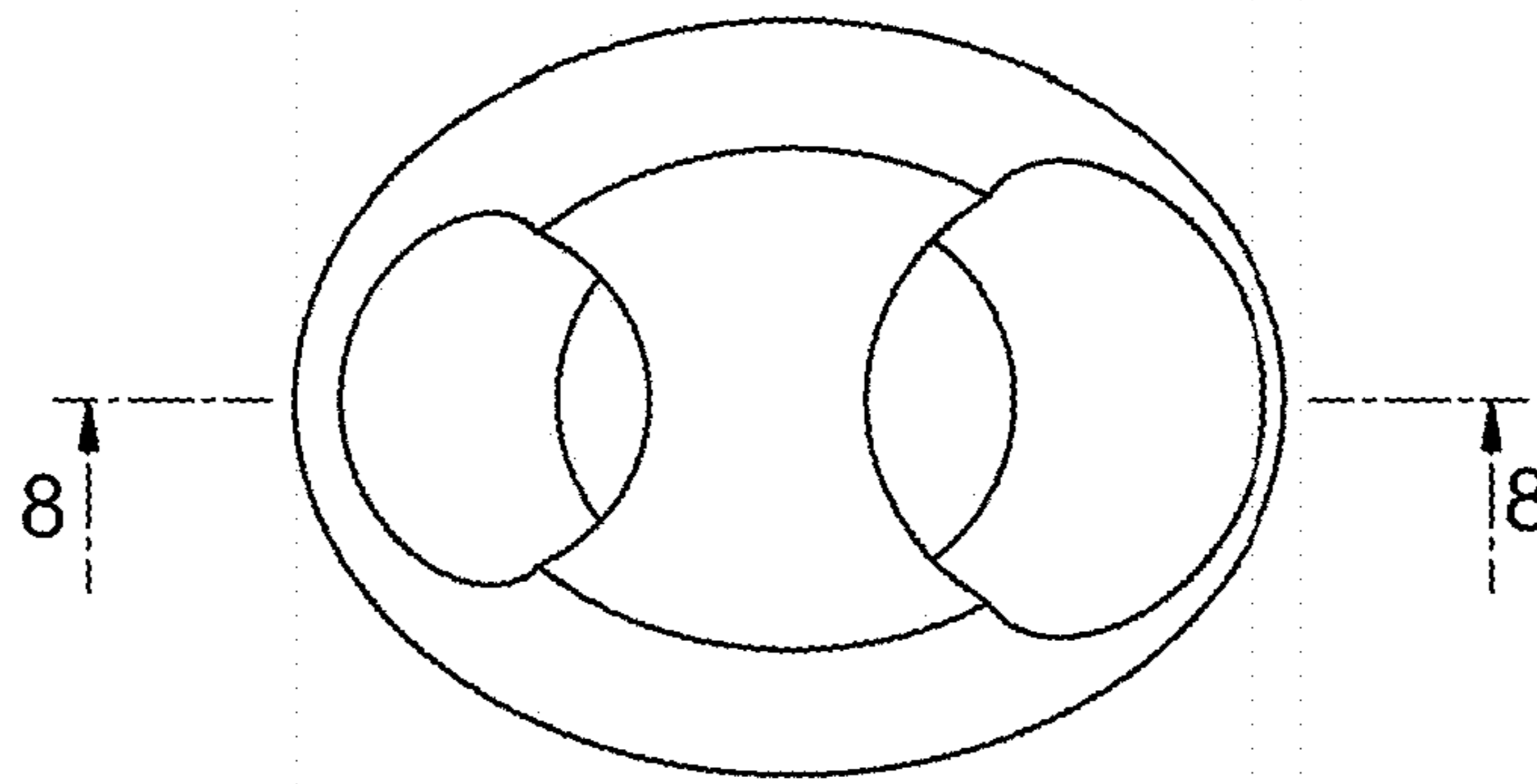


FIG. 7

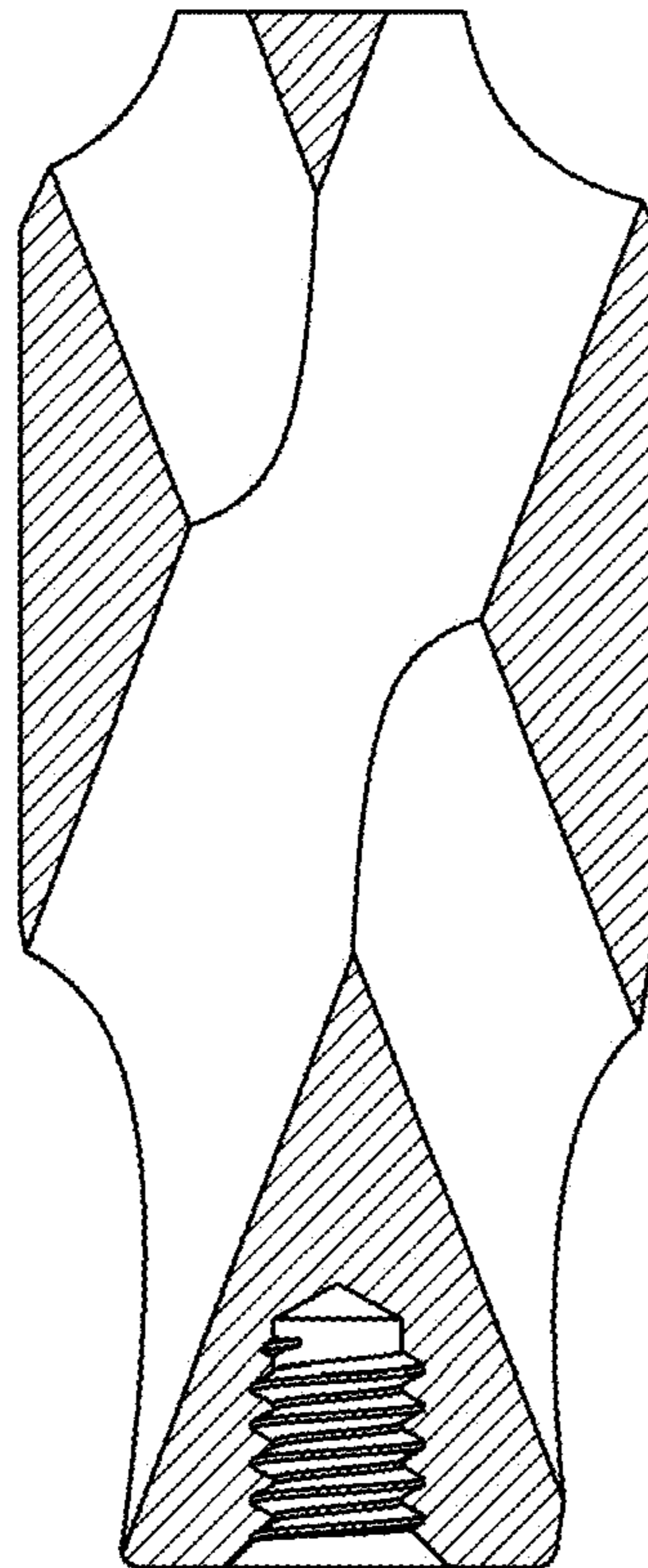


FIG. 8

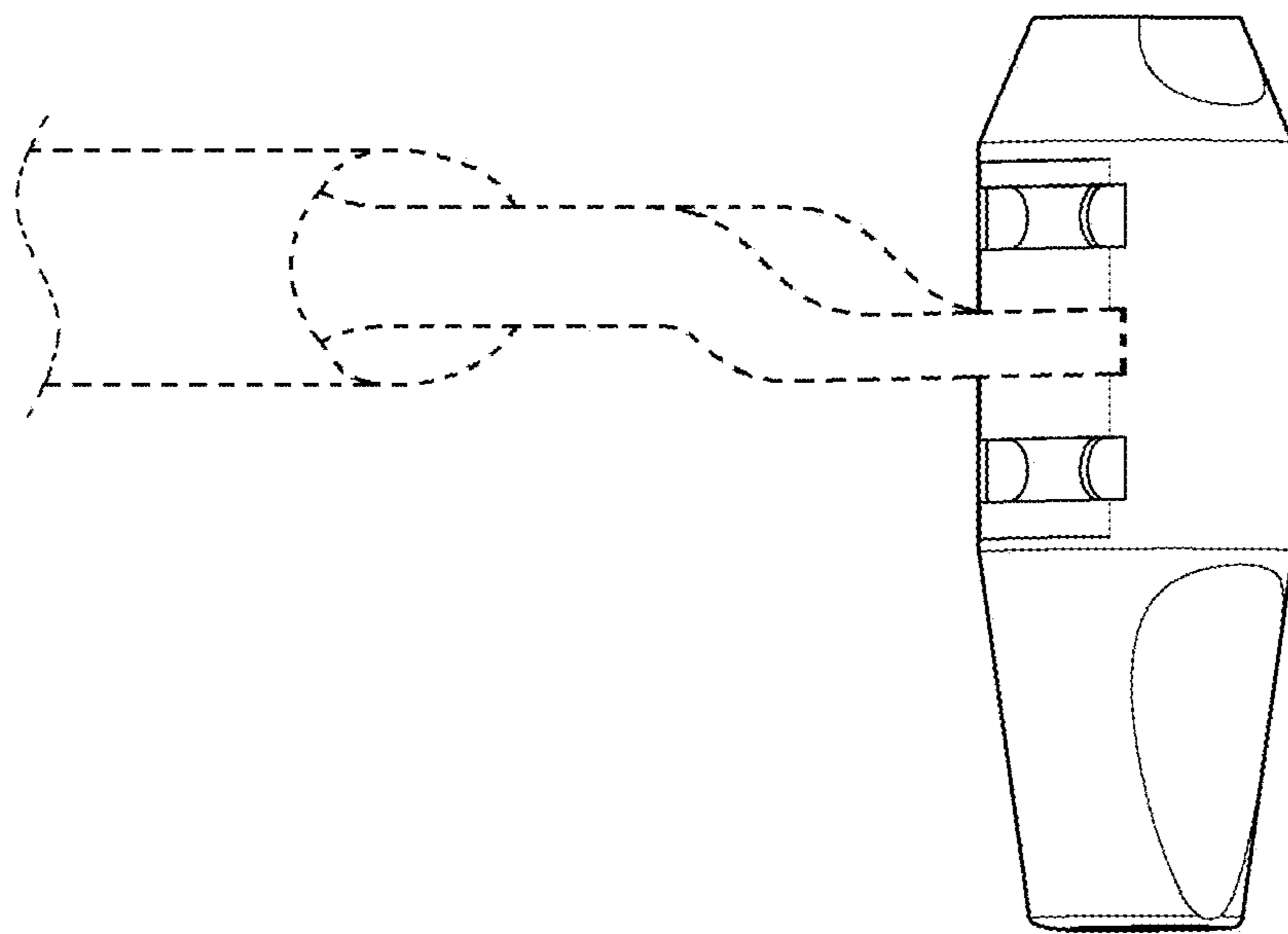


FIG. 9