



US00D700702S

(12) **United States Design Patent**
Kolb

(10) **Patent No.:** **US D700,702 S**
(45) **Date of Patent:** **** Mar. 4, 2014**

(54) **BLOOD MEASURING INSTRUMENT**

(75) Inventor: **Matthias Kolb**, Neu Ulm (DE)

(73) Assignee: **Messers Beurer GmbH** (DE)

(**) Term: **14 Years**

(21) Appl. No.: **29/431,592**

(22) Filed: **Sep. 10, 2012**

(51) **LOC (10) Cl.** **24-01**

(52) **U.S. Cl.**
USPC **D24/169**

(58) **Field of Classification Search**
USPC D24/107, 165-169, 186, 216, 223, 231,
D24/232; D10/78, 81; 422/68.1, 400, 565;
205/792; 435/41, 287.1; 600/309, 316,
600/322, 365, 368

See application file for complete search history.

(56) **References Cited**

U.S. PATENT DOCUMENTS

D417,504 S	*	12/1999	Love et al.	D24/169
D429,527 S	*	8/2000	Bolam et al.	D24/169
D495,418 S	*	8/2004	Rounds et al.	D24/169
D499,805 S	*	12/2004	D'Agostino	D24/169
D585,135 S	*	1/2009	Mori et al.	D24/169
D606,659 S	*	12/2009	Kiani et al.	D24/186
D628,915 S	*	12/2010	Faulkner et al.	D10/78
D670,812 S	*	11/2012	Huang	D24/169

* cited by examiner

Primary Examiner — Anhdao Doan

(74) *Attorney, Agent, or Firm* — Mayback & Hoffman, P.A.;
Gregory L. Mayback

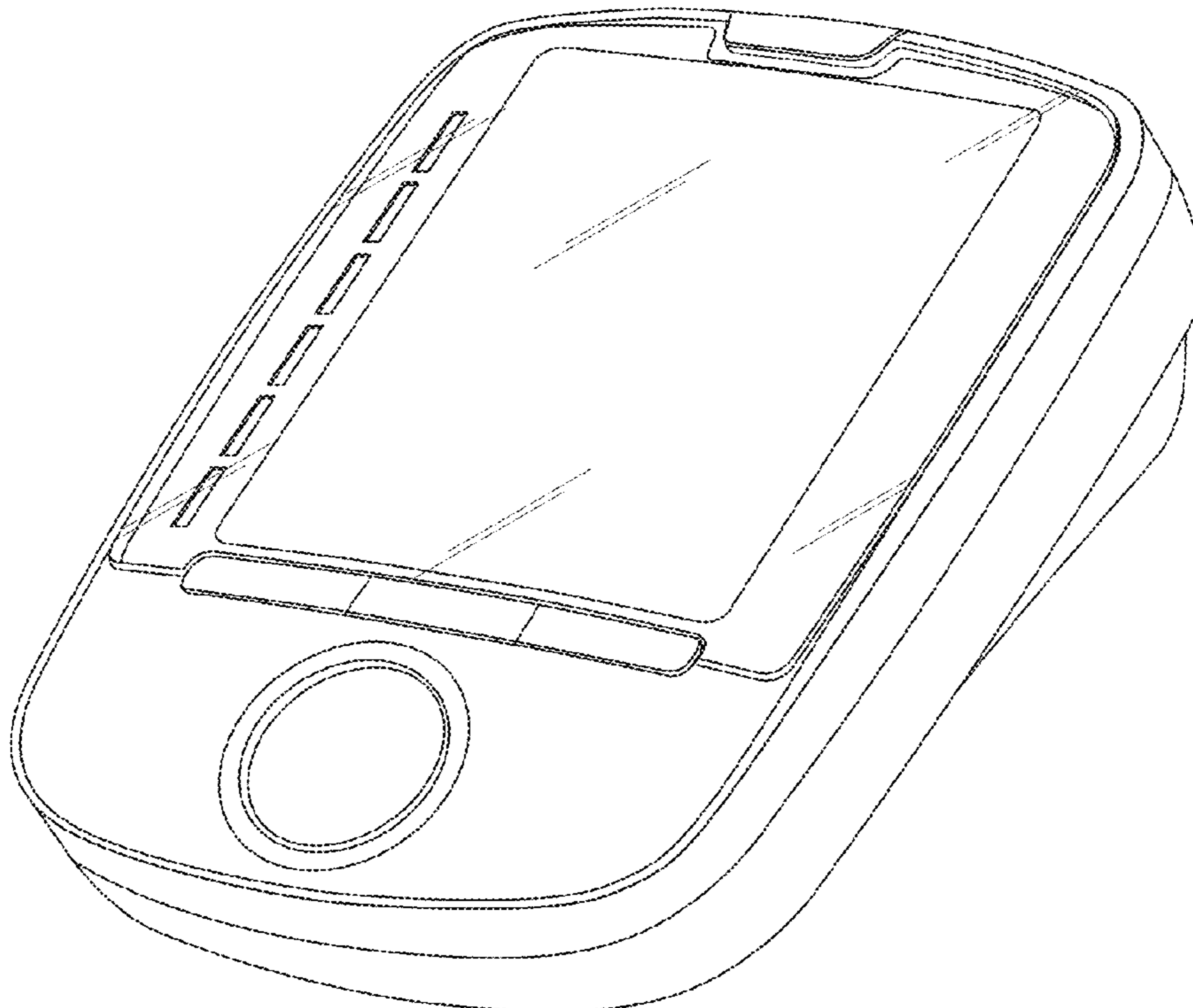
(57) **CLAIM**

The ornamental design for a blood measuring instrument, as shown and described.

DESCRIPTION

FIG. 1 is a perspective view of the blood measuring instrument from above a right front side thereof;
FIG. 2 is a top plan view of the blood measuring instrument of FIG. 1;
FIG. 3 is a bottom plan view of the blood measuring instrument of FIG. 1;
FIG. 4 is an elevational view of the left side of the blood measuring instrument of FIG. 1;
FIG. 5 is an elevational view of the right side of the blood measuring instrument of FIG. 1;
FIG. 6 is an elevational view of the front of the blood measuring instrument of FIG. 1; and,
FIG. 7 is an elevational view of the rear side of the blood measuring instrument of FIG. 1.
The broken lines in FIGS. 3 and 4 are included for the purpose of illustrating portions of the blood measuring device that form no part of the claimed design.

1 Claim, 4 Drawing Sheets



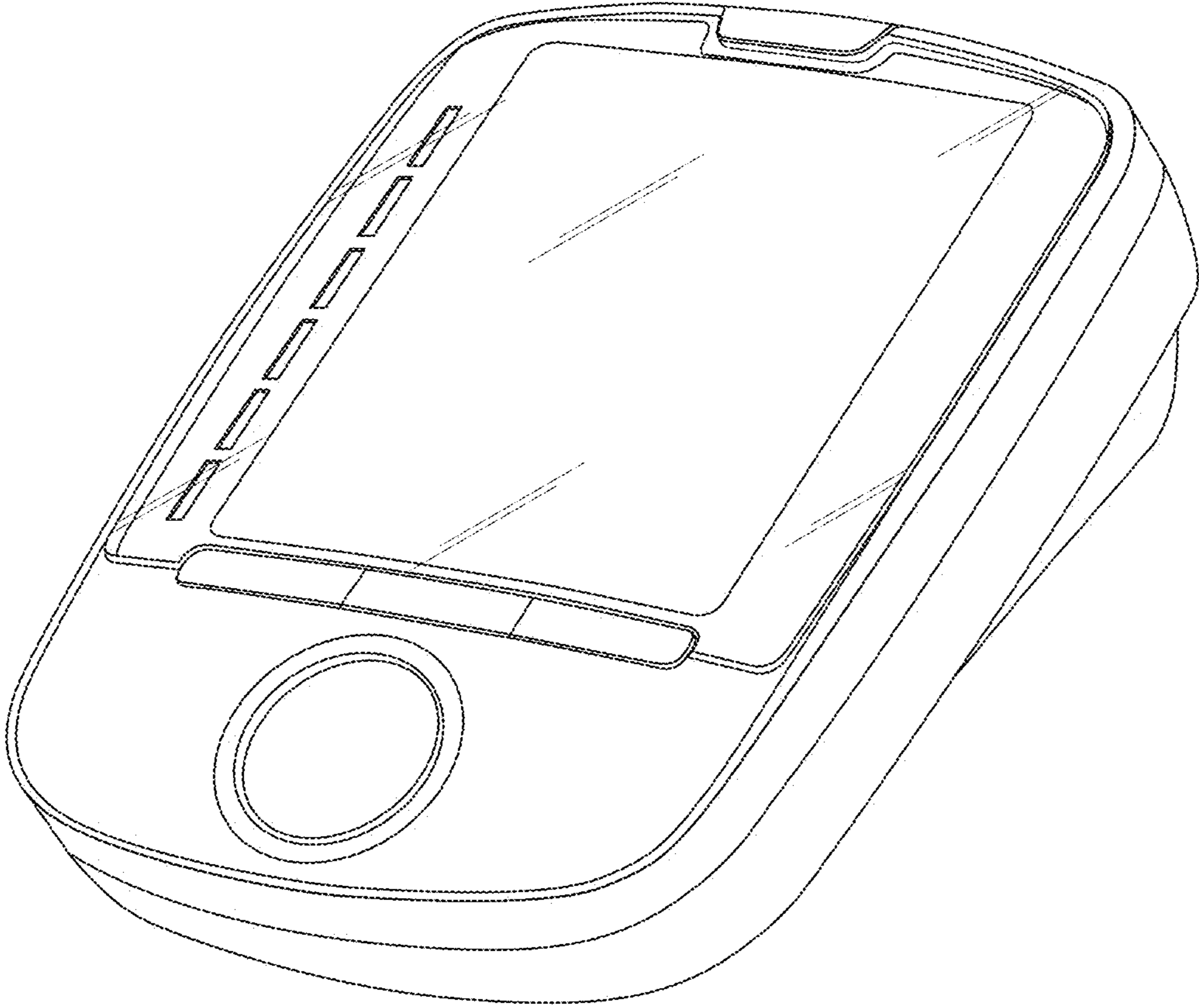


FIG. 1

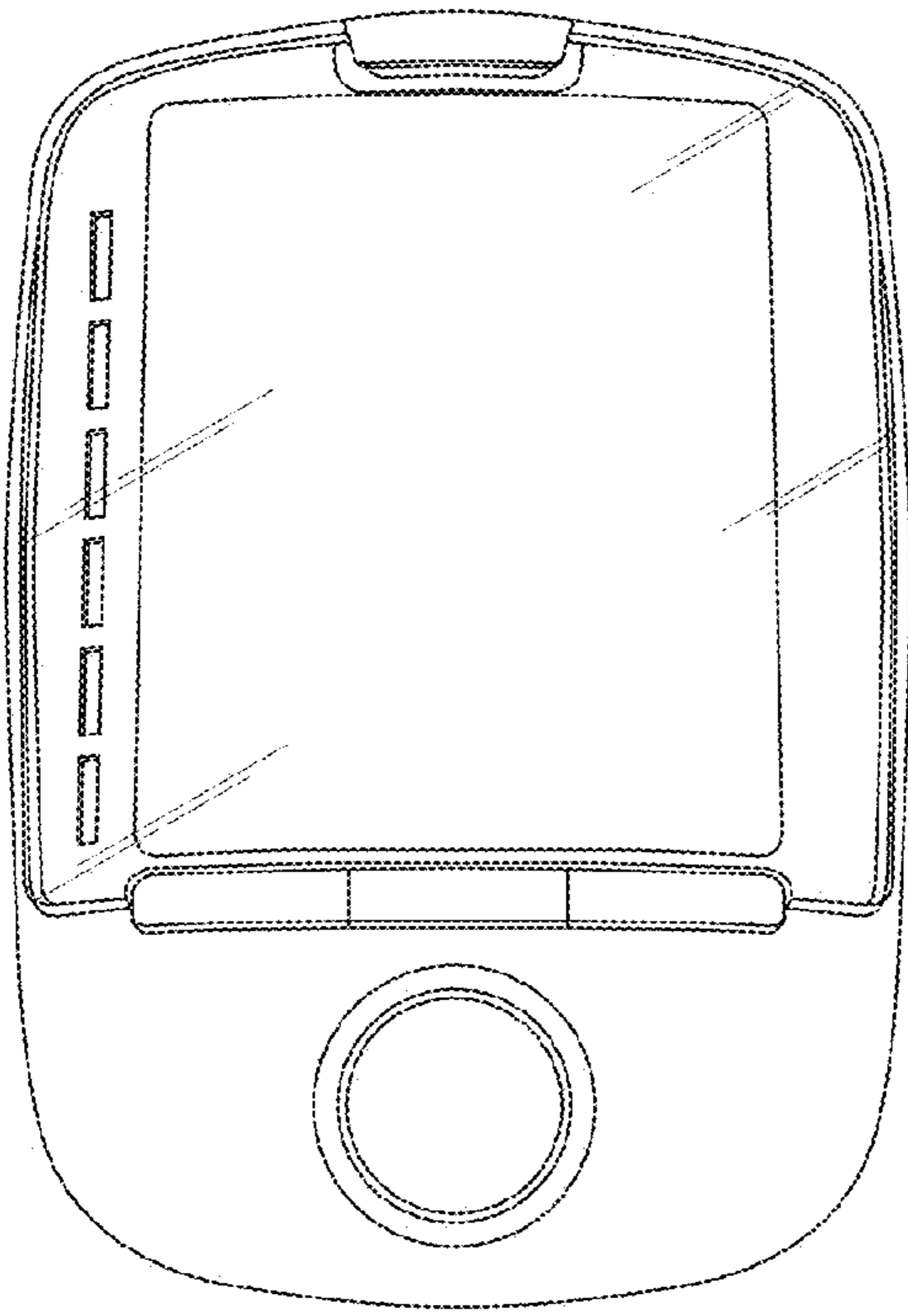


FIG. 2

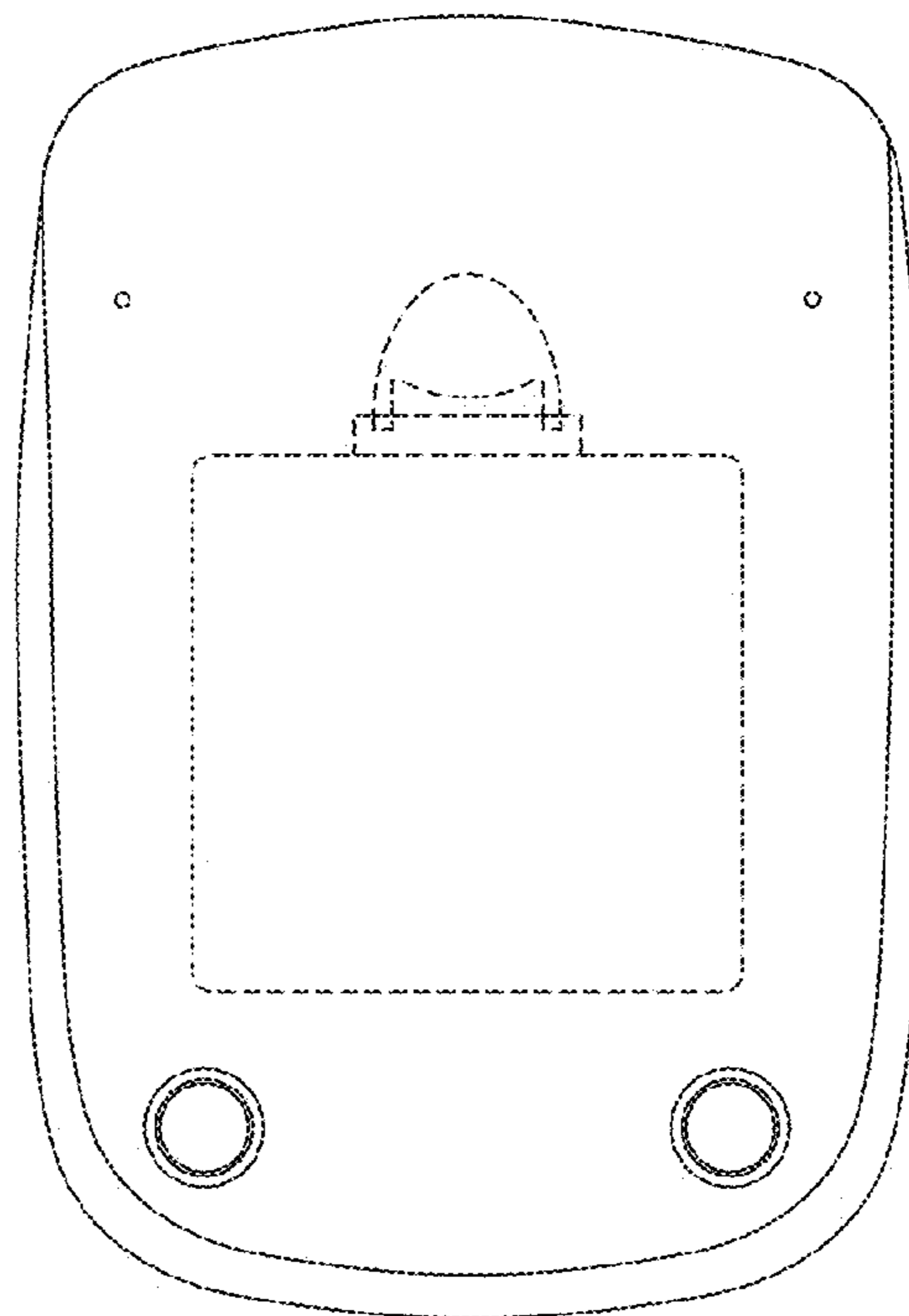


FIG. 3

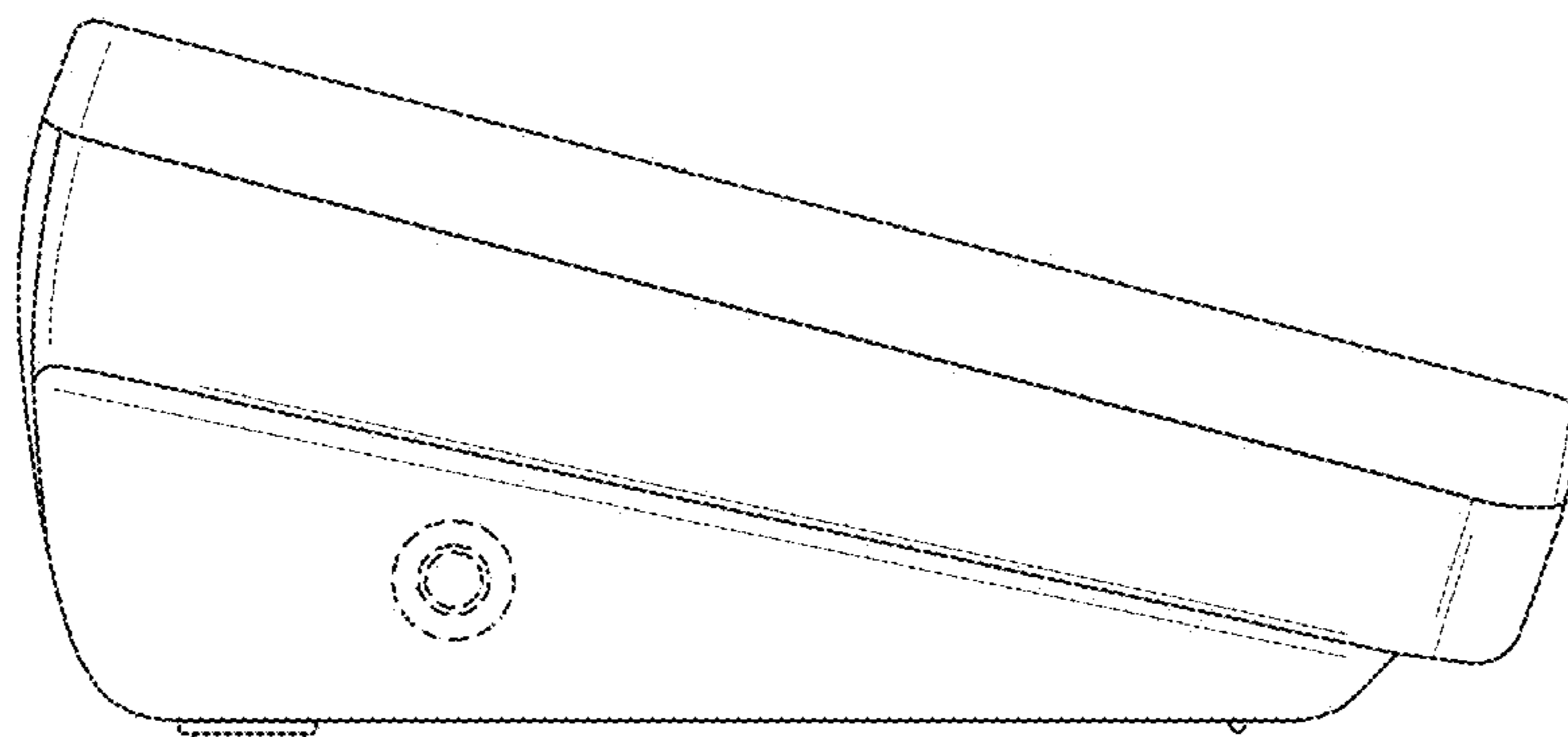


FIG. 4

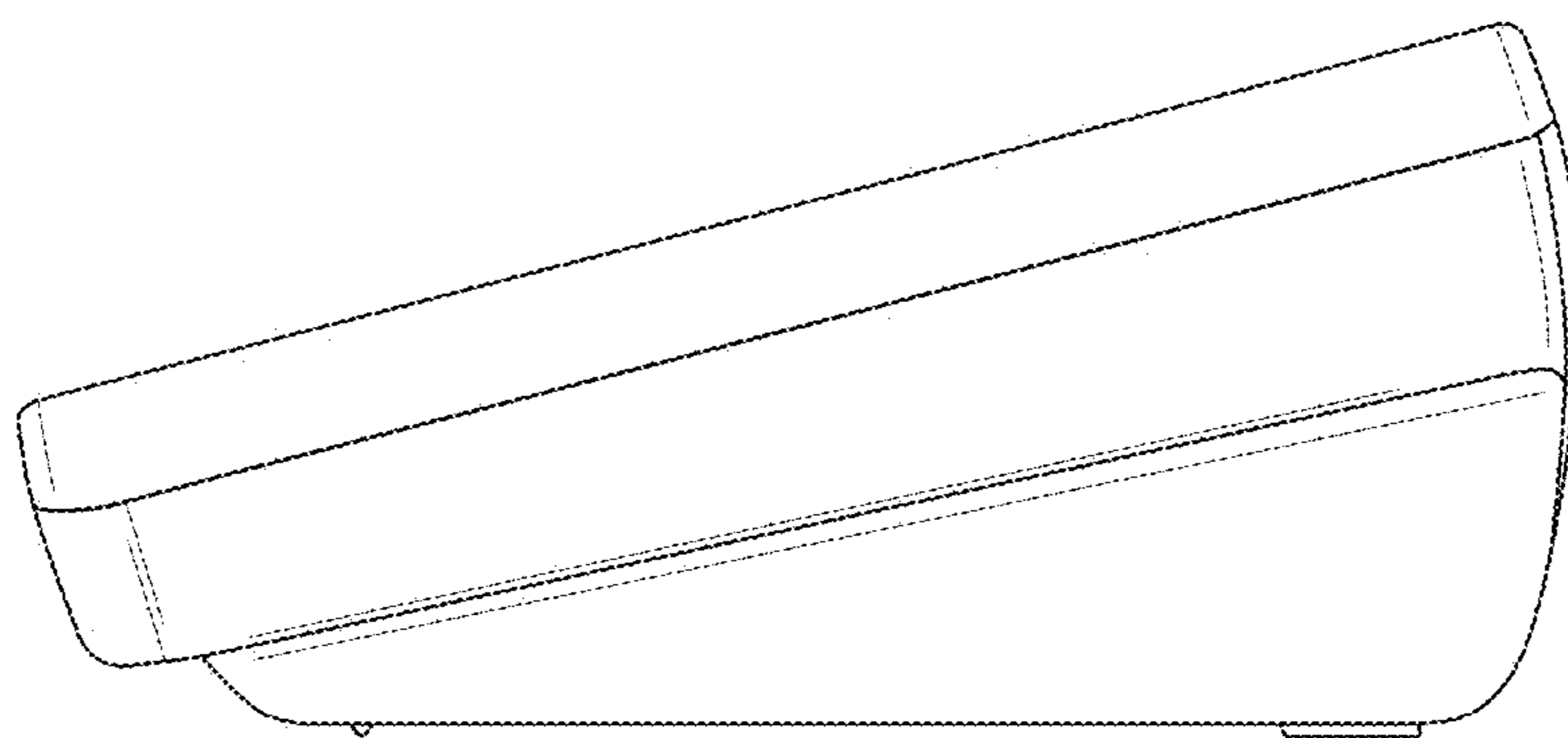


FIG. 5

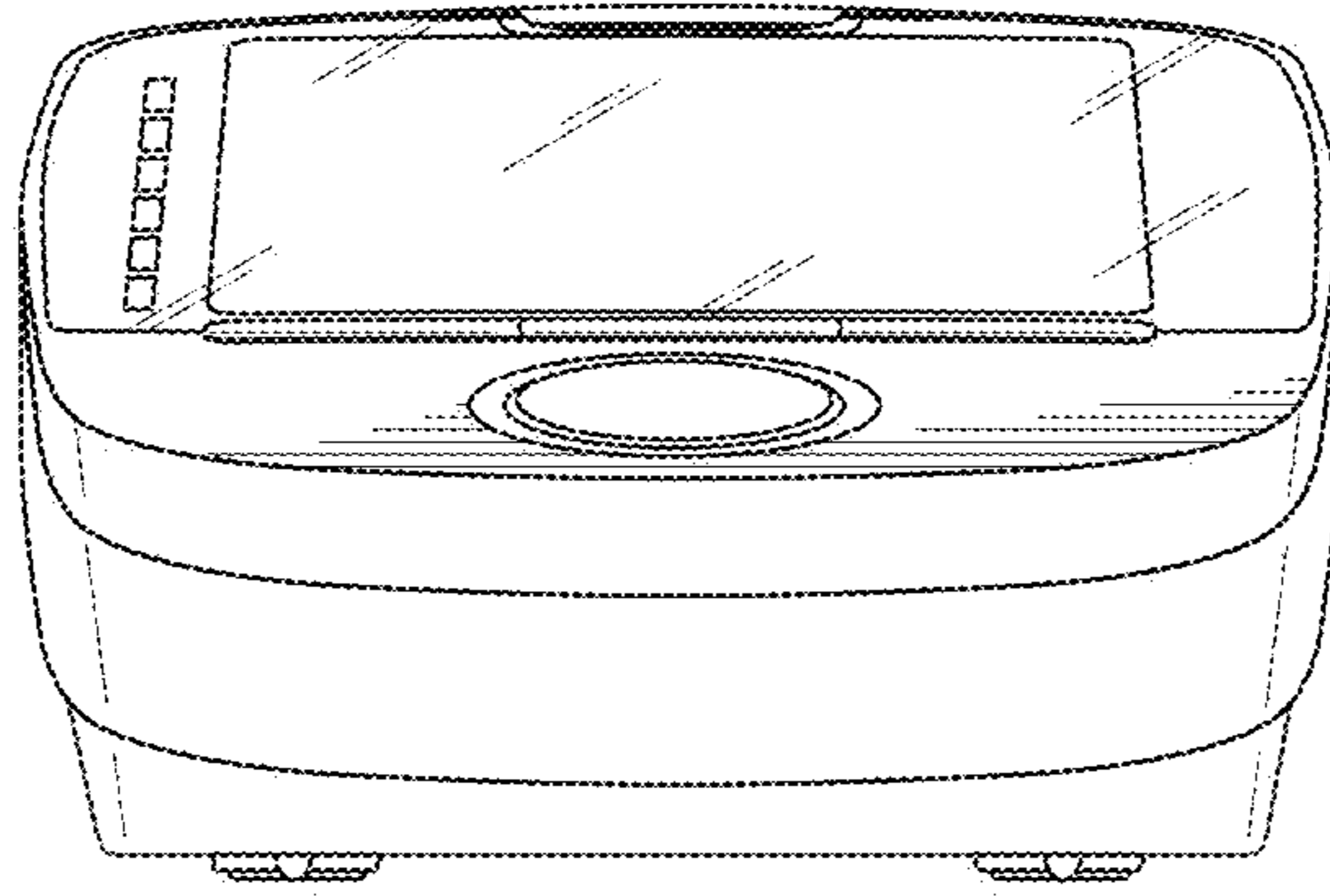


FIG. 6

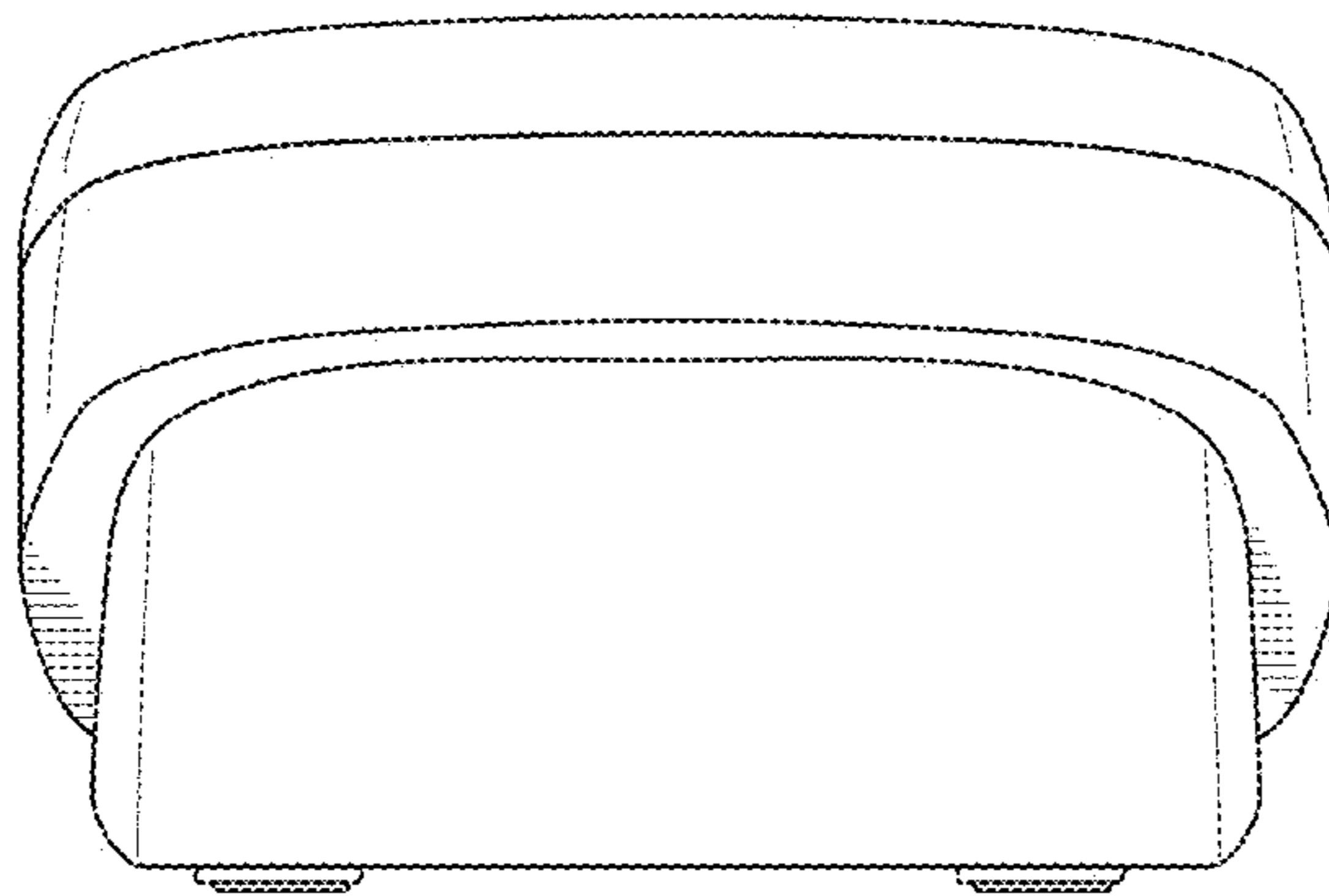


FIG. 7