



US00D700701S

(12) **United States Design Patent**
Taylor et al.

(10) **Patent No.:** **US D700,701 S**
(45) **Date of Patent:** **** Mar. 4, 2014**

(54) **OXYGEN CONCENTRATOR**

(71) Applicant: **Inogen, Inc.**, Goleta, CA (US)

(72) Inventors: **Brenton Alan Taylor**, Kenwood, CA (US); **Peter James Hansen**, Santa Barbara, CA (US); **John Russell Stump**, Santa Barbara, CA (US); **Patrick Fitzlindon Burgess**, Dunedin, FL (US)

(73) Assignee: **Inogen, Inc.**, Goleta, CA (US)

(**) Term: **14 Years**

(21) Appl. No.: **29/448,106**

(22) Filed: **Mar. 8, 2013**

(51) **LOC (10) Cl.** **24-00**

(52) **U.S. Cl.**
USPC **D24/164**

(58) **Field of Classification Search**
USPC D24/107, 170, 187, 142, 164, 110.5, D24/186, 110, 232, 169, 168, 163, 165, 216, D24/231; 600/538, 529, 532; 128/204.18, 128/205.24; 73/23.3, 861.52; 422/84; D10/78, 96; D14/218, 371; D8/315
See application file for complete search history.

(56) **References Cited**

U.S. PATENT DOCUMENTS

D490,155 S * 5/2004 Nakamura D24/164
D513,074 S * 12/2005 Nakamura et al. D24/164

(Continued)

OTHER PUBLICATIONS

<http://www.inogenone.com/press/inogen-releases-g3-oxygen-concentrator/>*

(Continued)

Primary Examiner — Robert M Spear

Assistant Examiner — Rhea Shields

(74) *Attorney, Agent, or Firm* — Knobbe, Martens, Olson & Bear, LLP

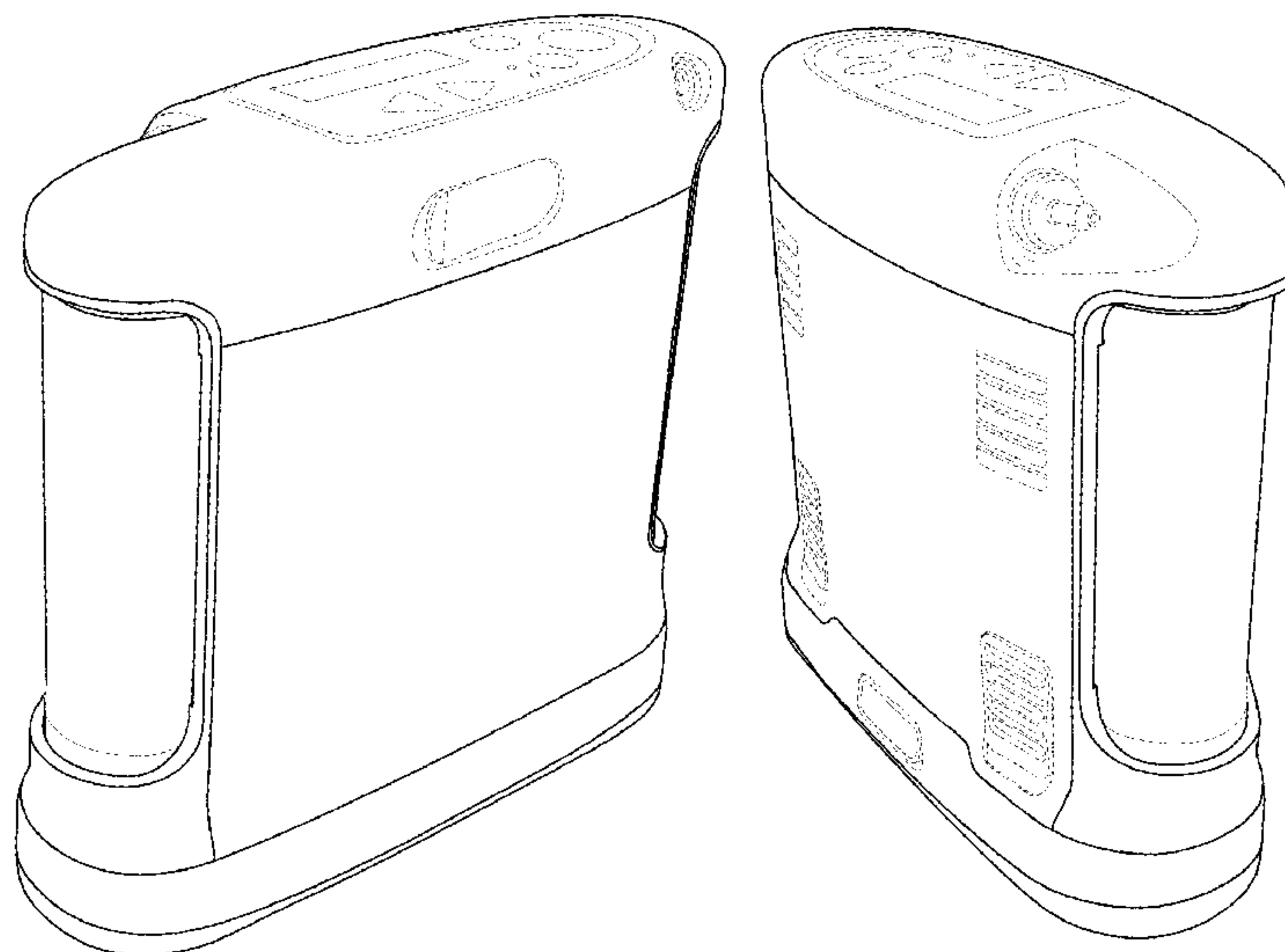
(57) **CLAIM**

The ornamental design for the oxygen concentrator, as shown and described.

DESCRIPTION

FIG. 1 is a front perspective view of a first embodiment of the oxygen concentrator.
FIG. 2 is a rear perspective view of the oxygen concentrator in FIG. 1.
FIG. 3 is a front view of the oxygen concentrator in FIG. 1.
FIG. 4 is a rear view of the oxygen concentrator in FIG. 1.
FIG. 5 is a left side view of the oxygen concentrator in FIG. 1.
FIG. 6 is a right side view of the oxygen concentrator in FIG. 1.
FIG. 7 is a top view of the oxygen concentrator in FIG. 1.
FIG. 8 is a bottom view of the oxygen concentrator in FIG. 1.
FIG. 9 is a front perspective view of a second embodiment of the oxygen concentrator.
FIG. 10 is a rear perspective view of the oxygen concentrator in FIG. 9.
FIG. 11 is a front view of the oxygen concentrator in FIG. 9.
FIG. 12 is a rear view of the oxygen concentrator in FIG. 9.
FIG. 13 is a left side view of the oxygen concentrator in FIG. 9.
FIG. 14 is a right side view of the oxygen concentrator in FIG. 9.
FIG. 15 is a top view of the oxygen concentrator in FIG. 9; and,
FIG. 16 is a bottom view of the oxygen concentrator in FIG. 9.
The broken lines are for illustrative purposes only and form no part of the claimed design.

1 Claim, 12 Drawing Sheets



(56)

References Cited

U.S. PATENT DOCUMENTS

D528,212 S * 9/2006 Conway et al. D24/164
D604,417 S * 11/2009 Fujimoto et al. D24/164
D606,655 S * 12/2009 Wilkinson et al. D24/164
D642,273 S * 7/2011 McCombs et al. D24/164
D660,409 S * 5/2012 Taggerty et al. D24/108
D666,724 S * 9/2012 Wilhelm D24/164
2008/0257145 A1* 10/2008 Sprinkle et al. 95/22
2010/0052293 A1* 3/2010 Brooks et al. 280/651

2011/0073107 A1* 3/2011 Rodman et al. 128/201.21
2011/0192122 A1* 8/2011 Whitesel et al. 55/315
2012/0291884 A1* 11/2012 Yamaura et al. 137/455
2013/0008438 A1* 1/2013 Sugawara et al. 128/202.24

OTHER PUBLICATIONS

https://www.shermanoaksmmedical.com/Inogen_One_Portable_OX_G3_p/inogen_one-is-30...*

* cited by examiner

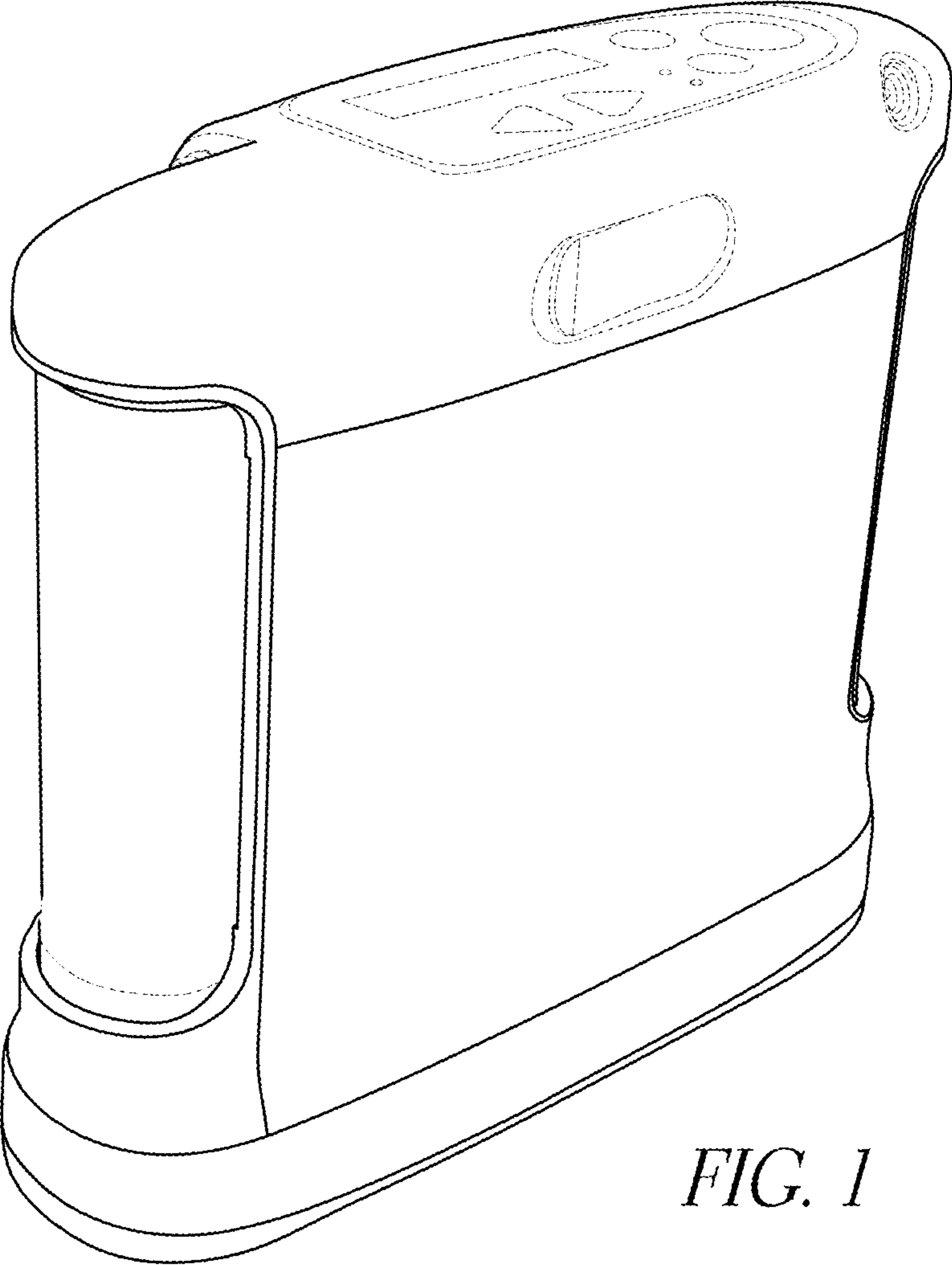


FIG. 1

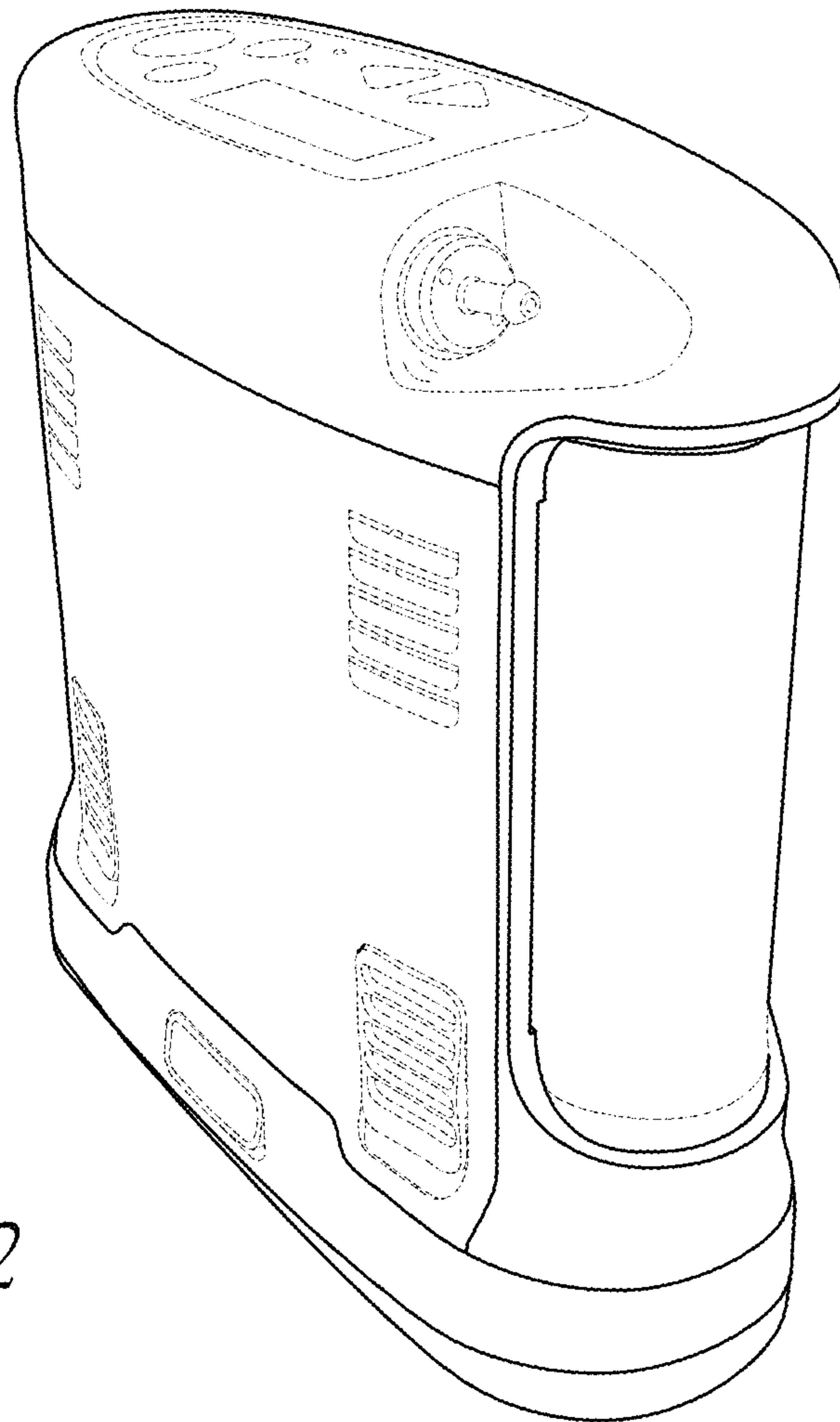


FIG. 2

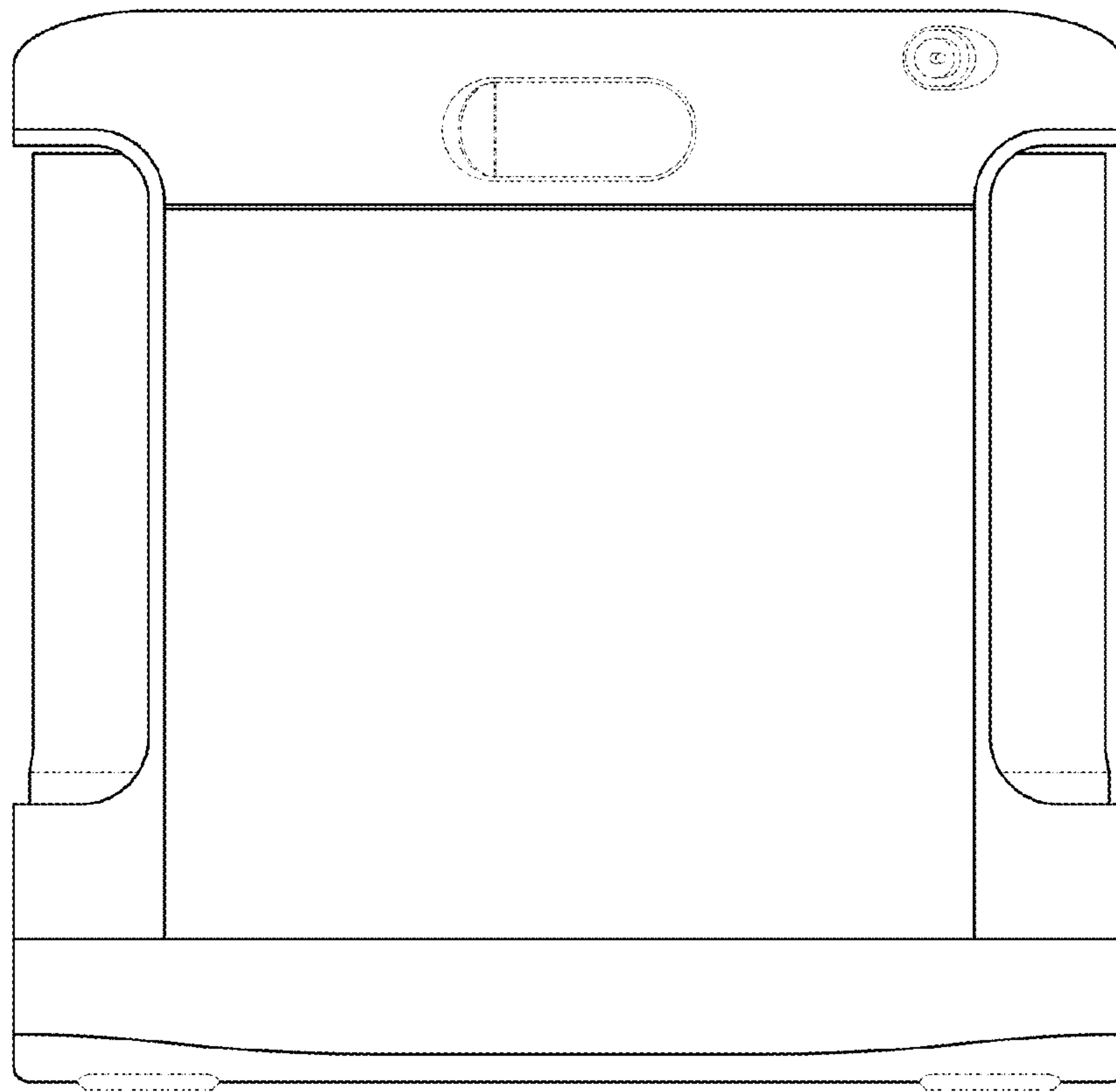


FIG. 3

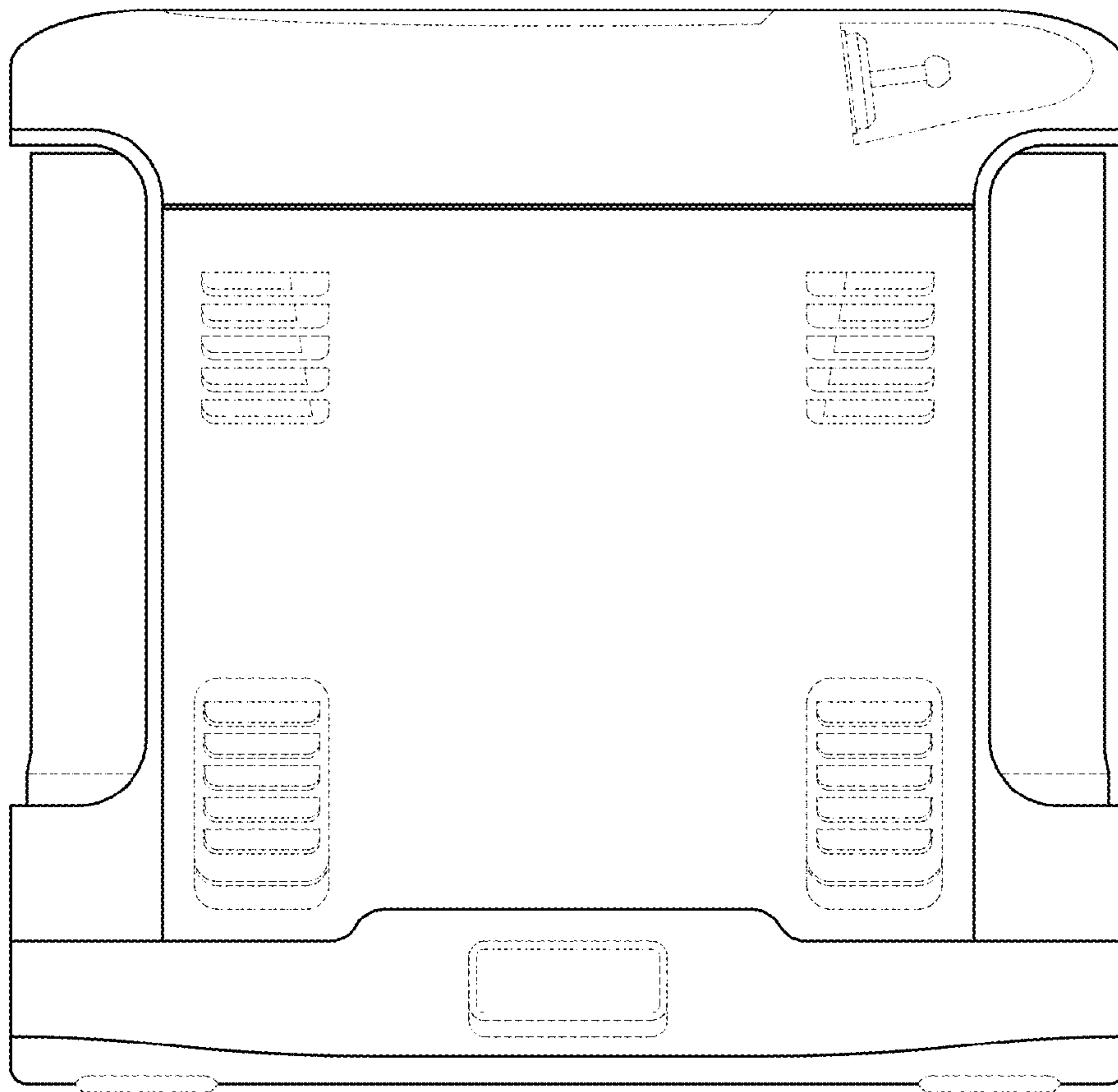


FIG. 4

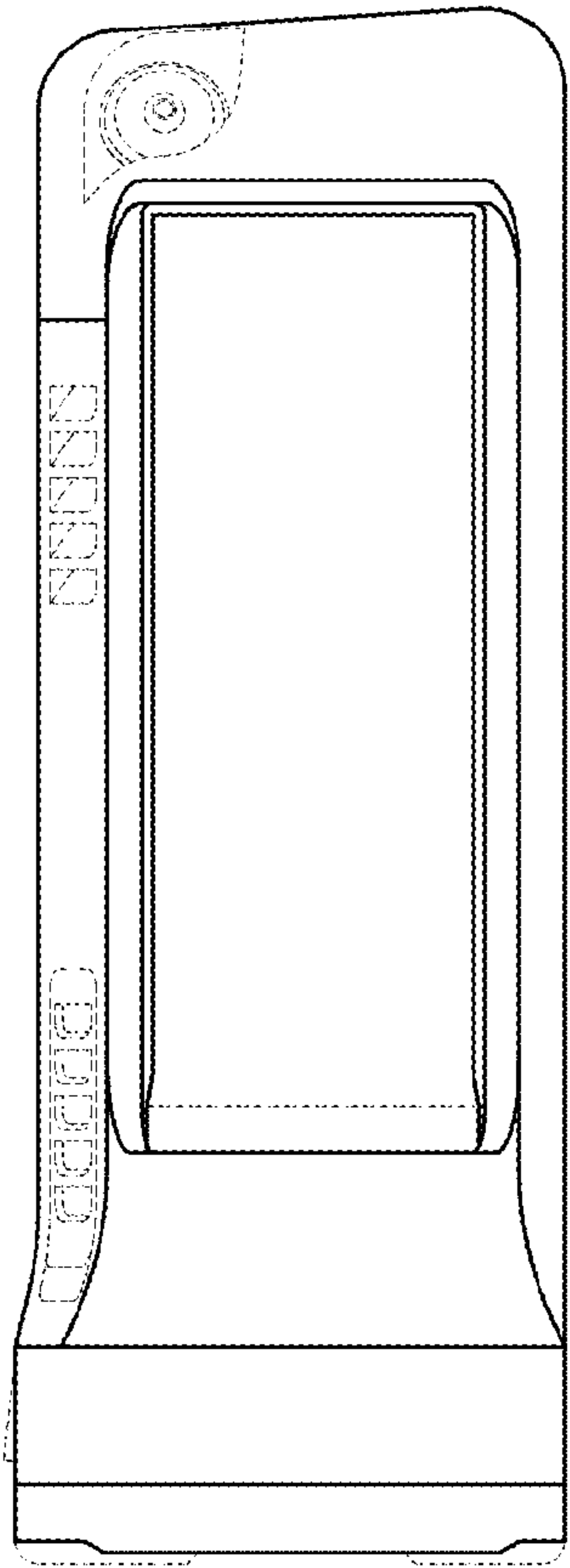


FIG. 5

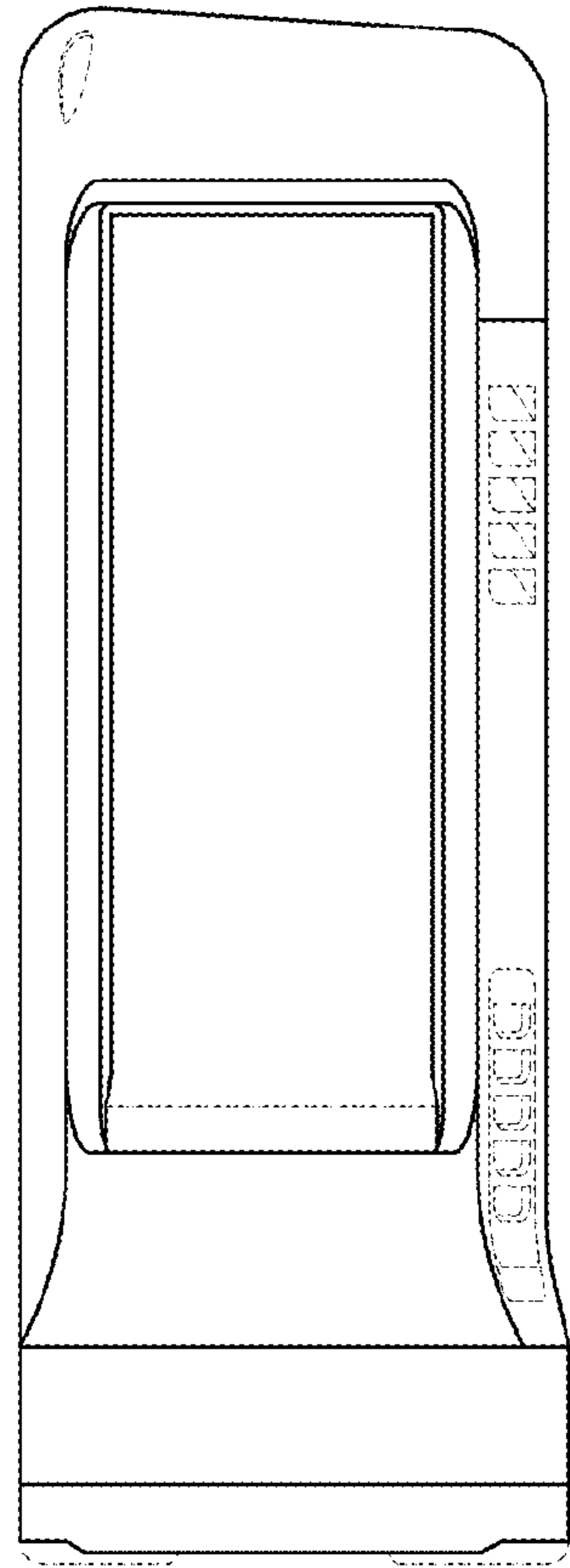


FIG. 6

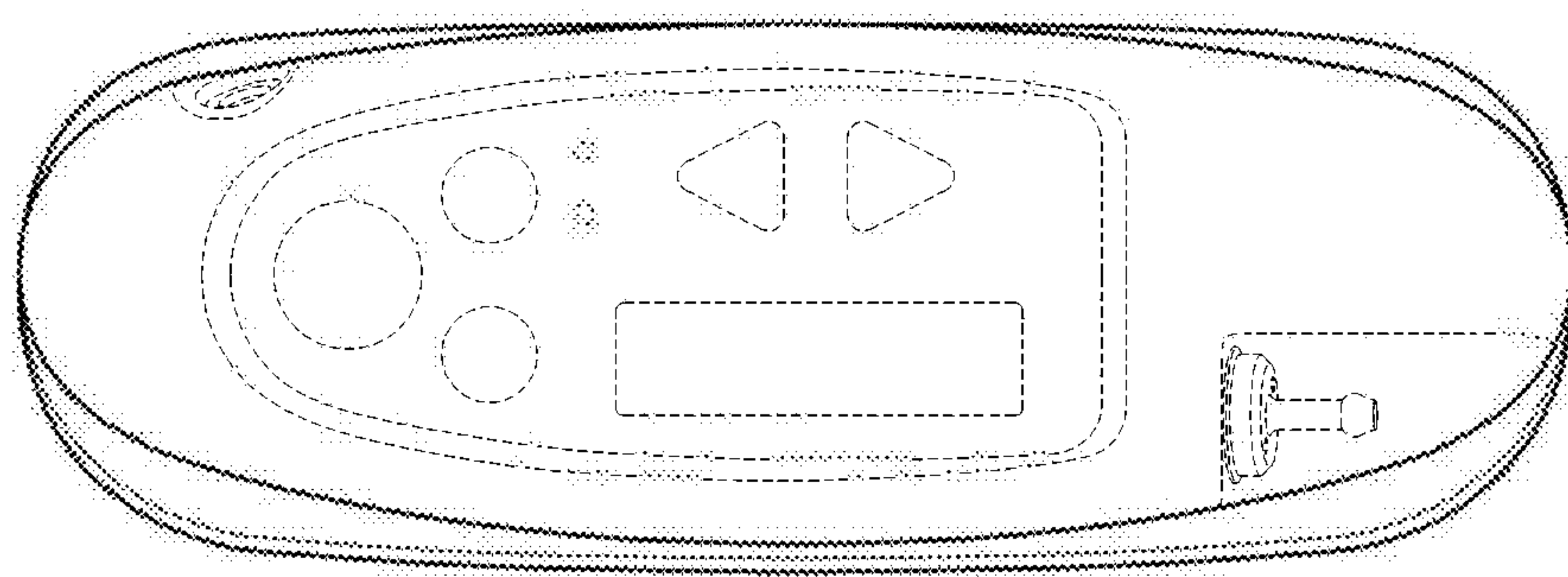


FIG. 7

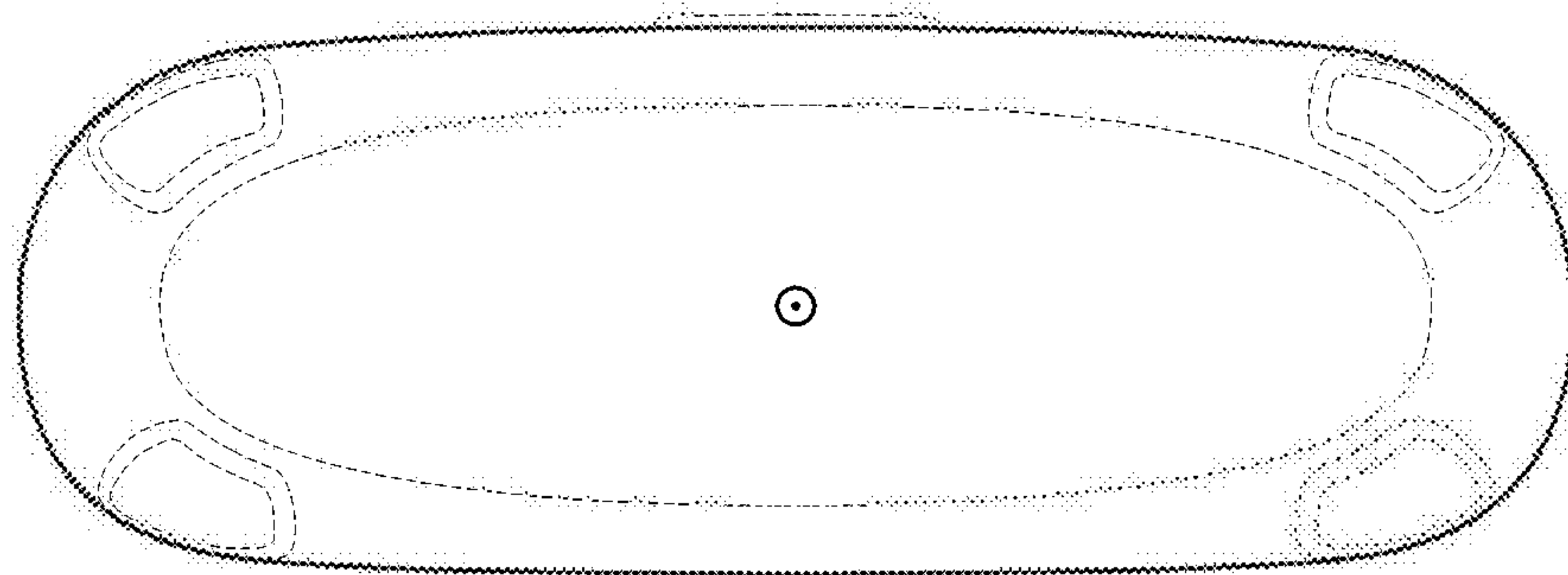
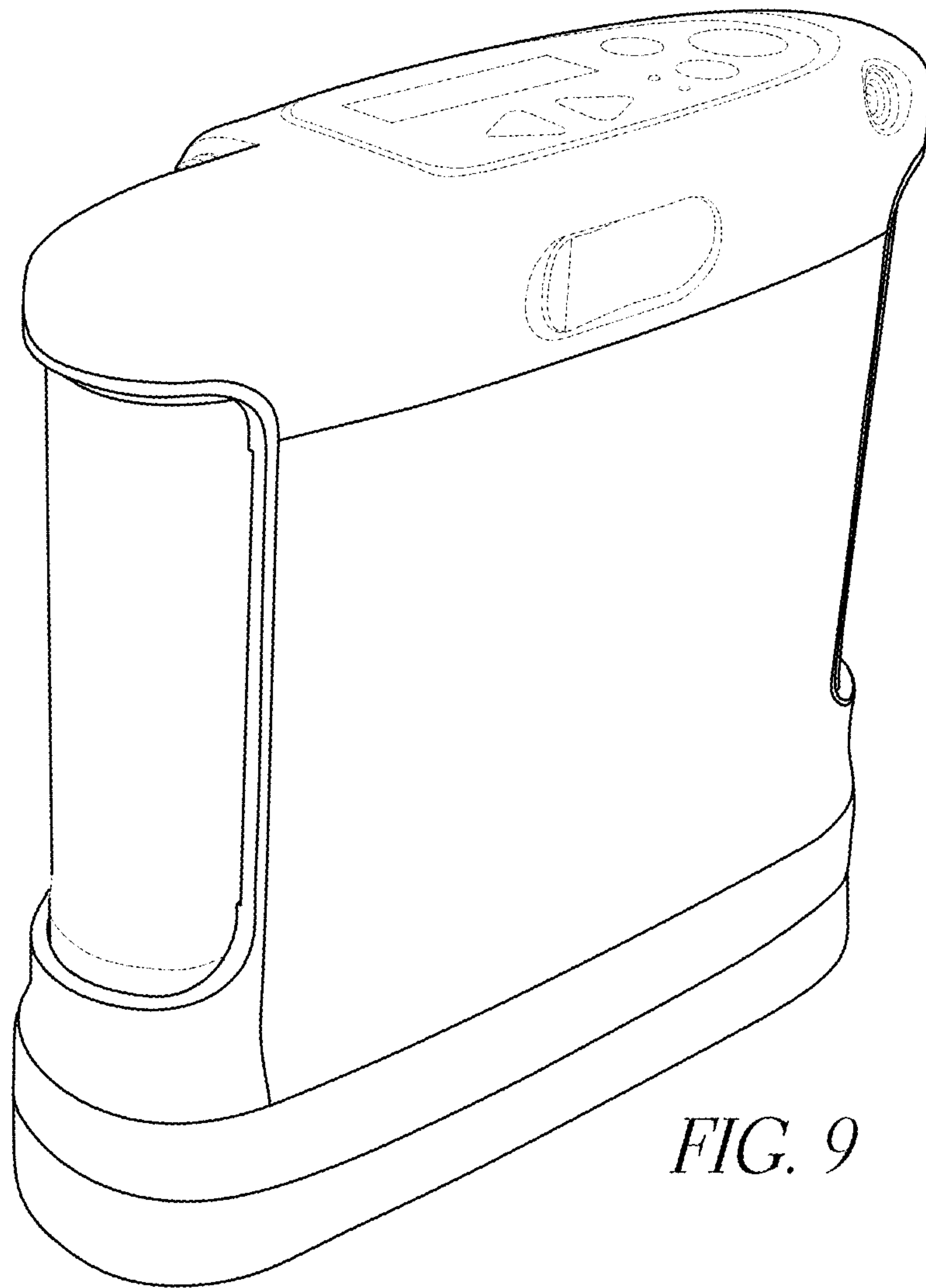


FIG. 8



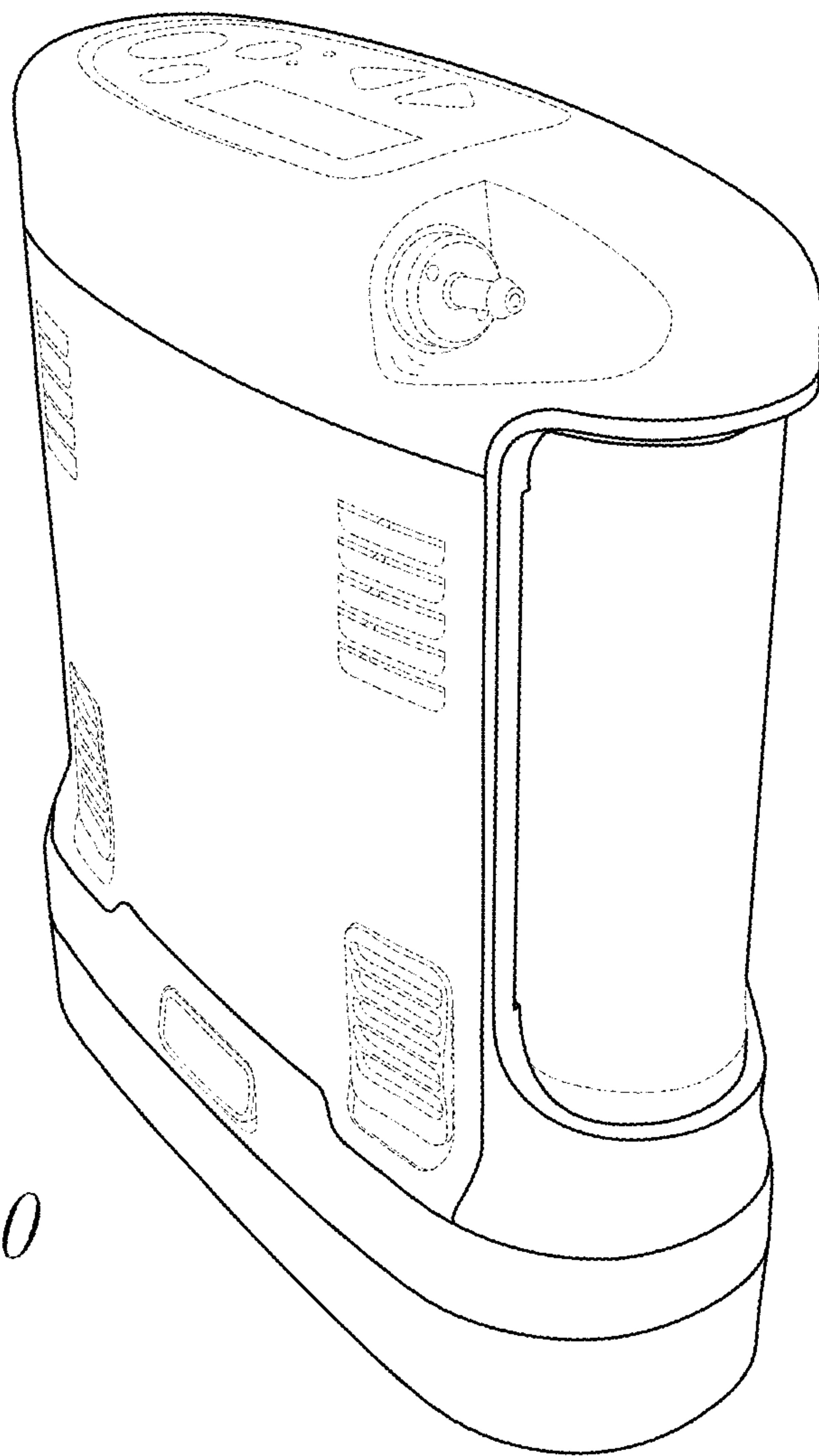


FIG. 10

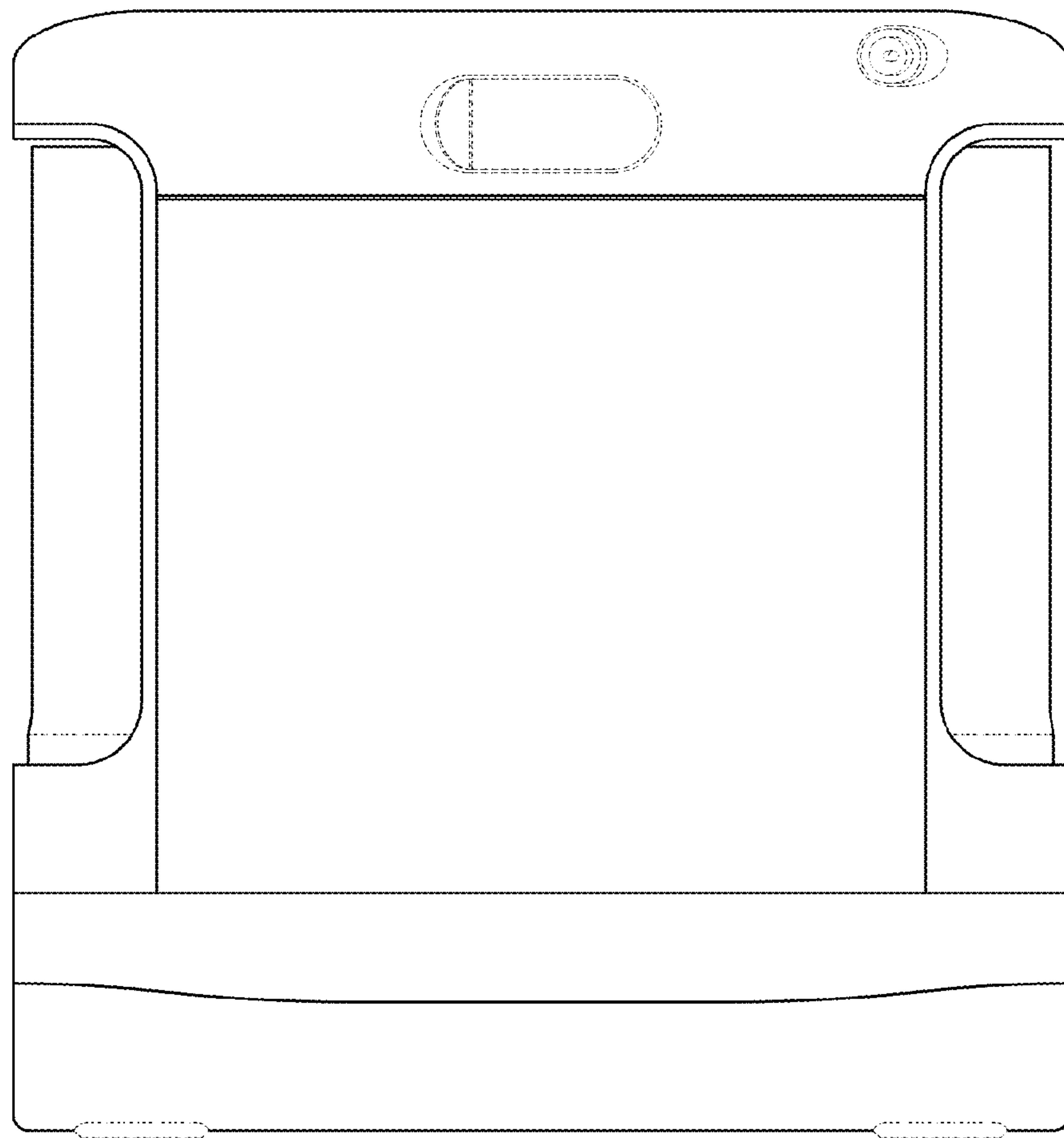


FIG. 11

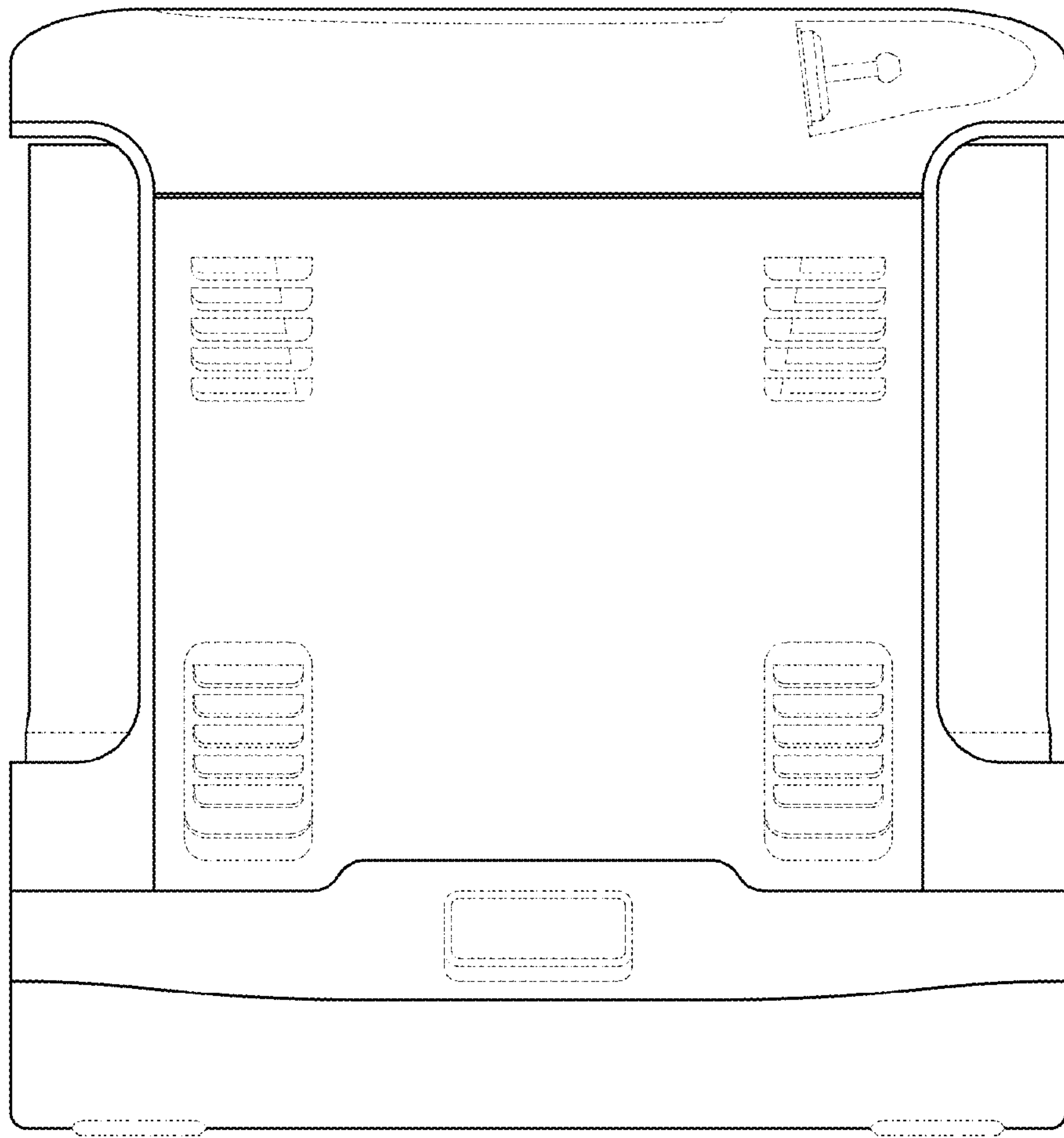


FIG. 12

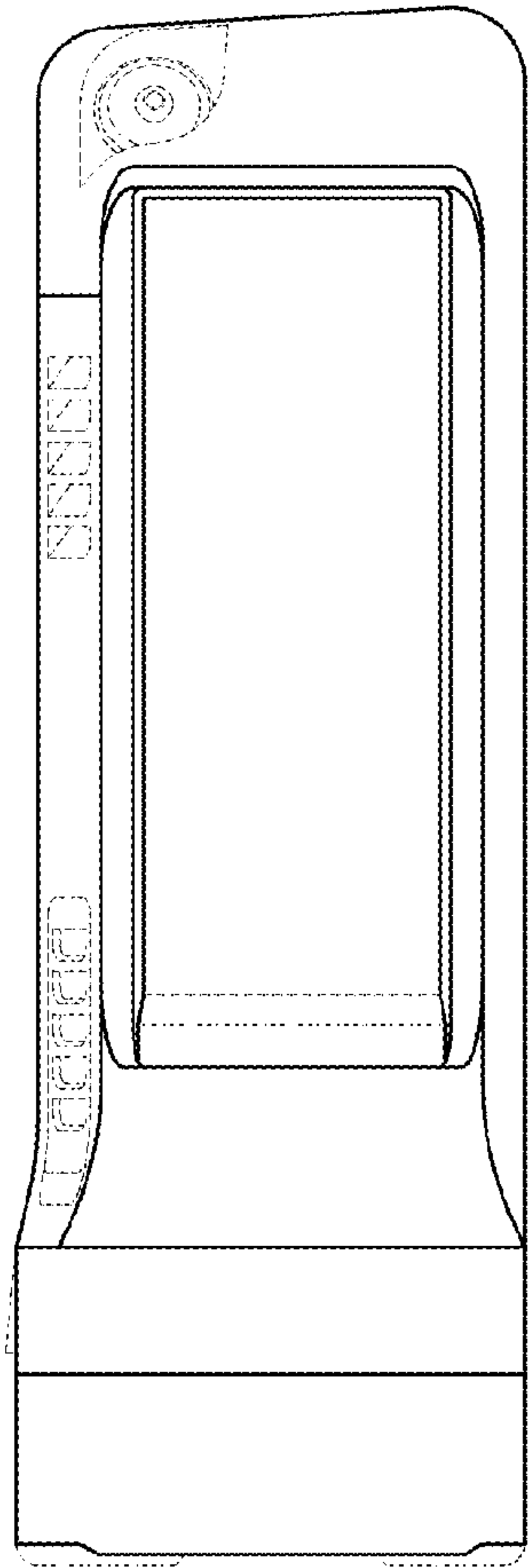


FIG. 13

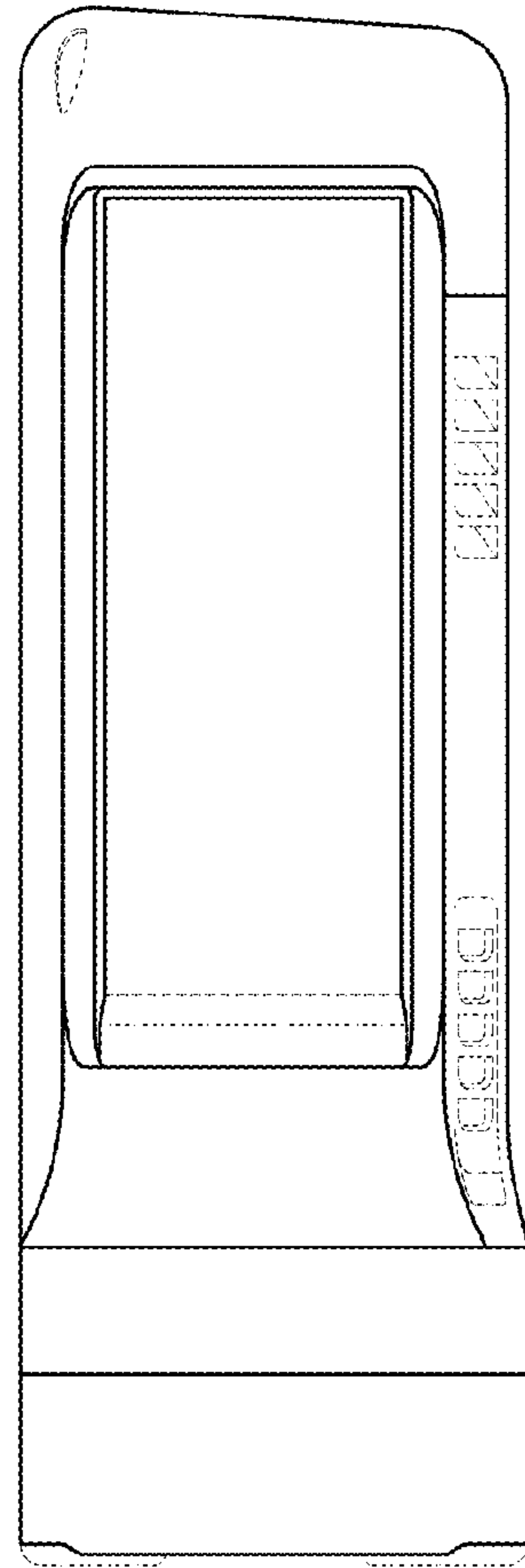


FIG. 14

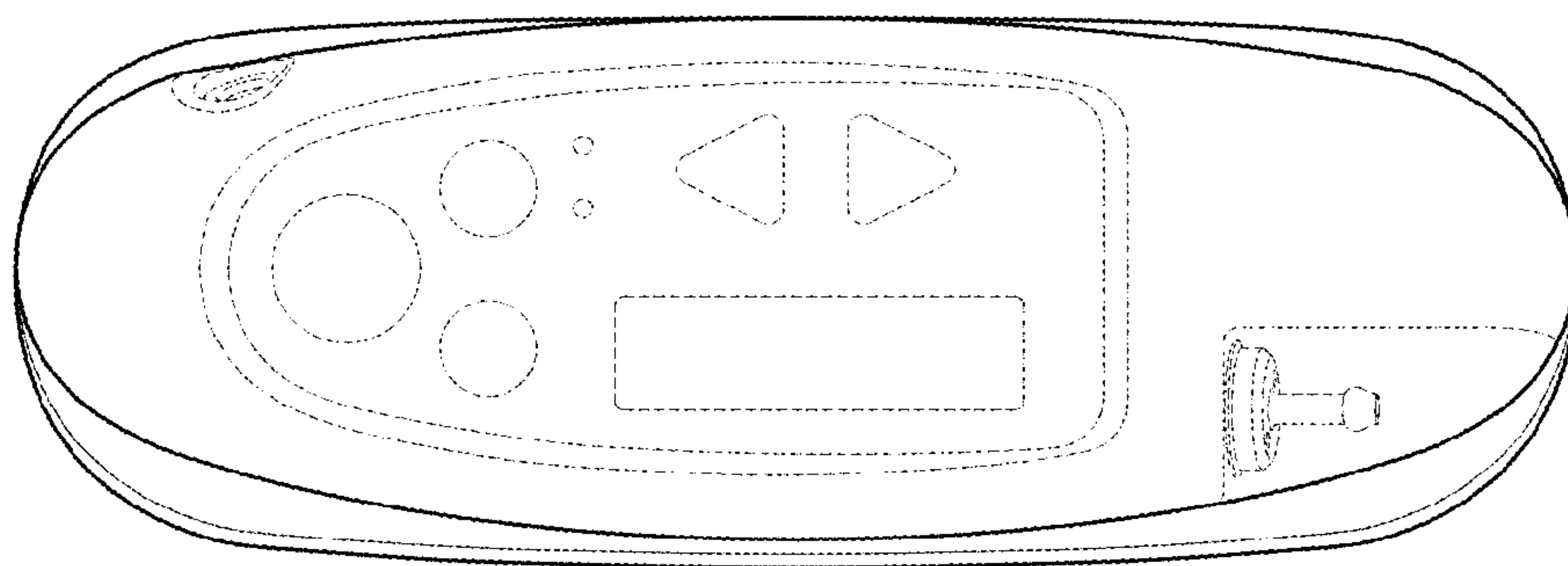


FIG. 15

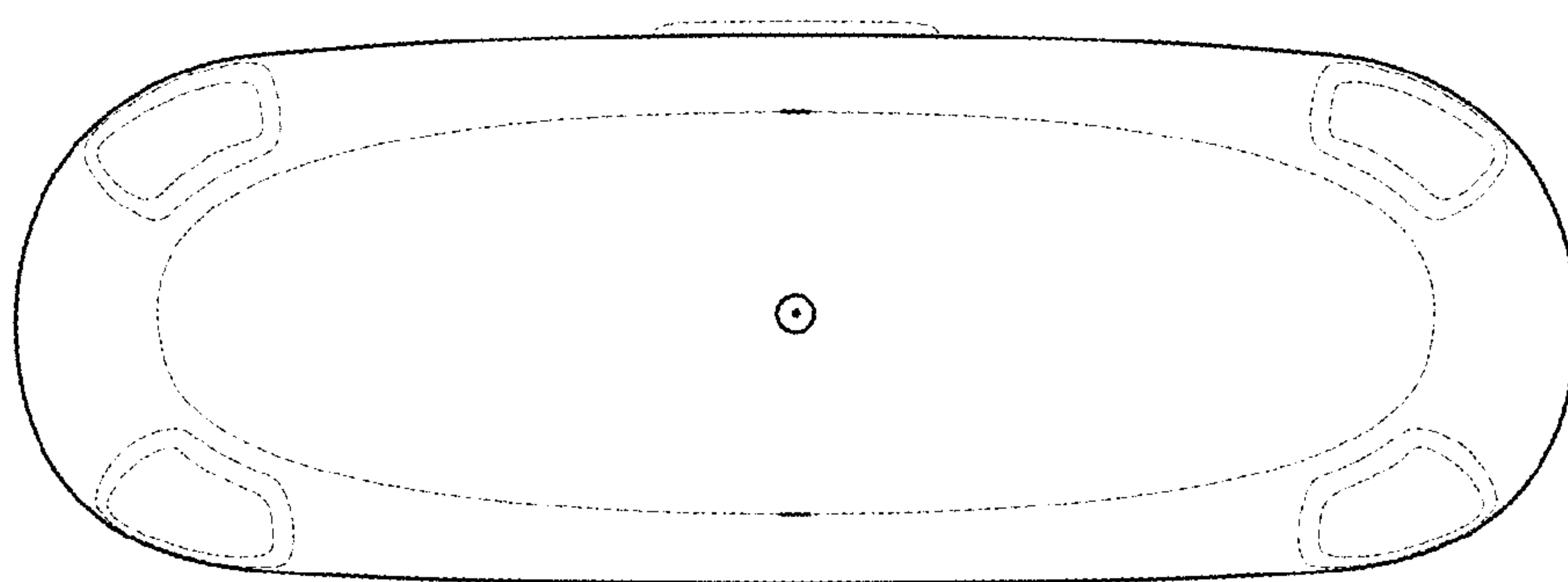


FIG. 16