



US00D700700S

(12) **United States Design Patent**
Efinger

(10) **Patent No.:** **US D700,700 S**
(45) **Date of Patent:** **** Mar. 4, 2014**

(54) **SCALPEL HANDLE**

(75) Inventor: **Andreas Efinger**, Rietheim (DE)

(73) Assignee: **Karl Storz GmbH & Co. KG** (DE)

(**) Term: **14 Years**

(21) Appl. No.: **29/391,903**

(22) Filed: **May 13, 2011**

(30) **Foreign Application Priority Data**

Nov. 15, 2010 (EM) 001781360-0013

(51) **LOC (10) Cl.** **24-02**

(52) **U.S. Cl.**
USPC **D24/147**

(58) **Field of Classification Search**
USPC D24/146, 147, 133; D8/107, 98, 99;
606/166, 167, 161, 181, 182, 170;
600/566, 567; 30/329, 296.32, 330;
D7/649
See application file for complete search history.

(56) **References Cited**

U.S. PATENT DOCUMENTS

- 661,910 A * 11/1900 Graham 15/105
- D166,394 S * 4/1952 Herold D8/98
- D177,879 S * 5/1956 Speelman D24/147
- 3,471,929 A * 10/1969 Boone 433/144
- D220,183 S * 3/1971 Boone D24/152
- D220,184 S * 3/1971 Boone D24/147
- D226,735 S * 4/1973 Navara D24/147
- D235,549 S * 6/1975 Funderburk D24/135
- D235,550 S * 6/1975 Berger D24/147
- D239,317 S * 3/1976 Spencer, Jr. D15/139
- D249,062 S * 8/1978 Crafoord et al. D24/147
- D255,834 S * 7/1980 Linden D24/152
- D258,310 S * 2/1981 LaHaye D24/147
- D270,837 S * 10/1983 Legerius et al. D15/139
- D275,127 S * 8/1984 Edwards D24/147
- D293,372 S * 12/1987 Butt D24/152

- D295,445 S * 4/1988 Freeman D24/135
- D318,117 S * 7/1991 Michelson D24/147
- D382,342 S * 8/1997 Rosen D24/142
- 6,019,774 A * 2/2000 Weiss et al. 606/167
- D457,630 S * 5/2002 Lehtonen D24/147
- D463,555 S * 9/2002 Etter et al. D24/147
- D571,010 S * 6/2008 Cote D24/147
- D589,774 S * 4/2009 Haraguchi et al. D8/98
- D593,202 S * 5/2009 Petersen D24/146
- D598,094 S * 8/2009 Alber D24/133
- 7,748,124 B1 7/2010 Bell et al.
- D639,432 S * 6/2011 Trees et al. D24/147
- D669,988 S * 10/2012 Packard et al. D24/147
- D685,092 S * 6/2013 Morawski et al. D24/147

OTHER PUBLICATIONS

Bl Braun Sharing Expertise—Aesculap Surgical Instruments; Aesculap Skalpellklingen and Einmalskalpelle; 2005; 16 pages; specifically p. 13.

Hans Behrbohm; Grundleagen Der Instrumentenkunde—Für den Hals-Nasen-Ohrenarzt Und Plastischen Gesichtschirurgen; 2006; 67 pages; specifically p. 52.

* cited by examiner

Primary Examiner — Ian Simmons

Assistant Examiner — Carissa C Fitts

(74) *Attorney, Agent, or Firm* — St. Onge Steward Johnston & Reens LLC

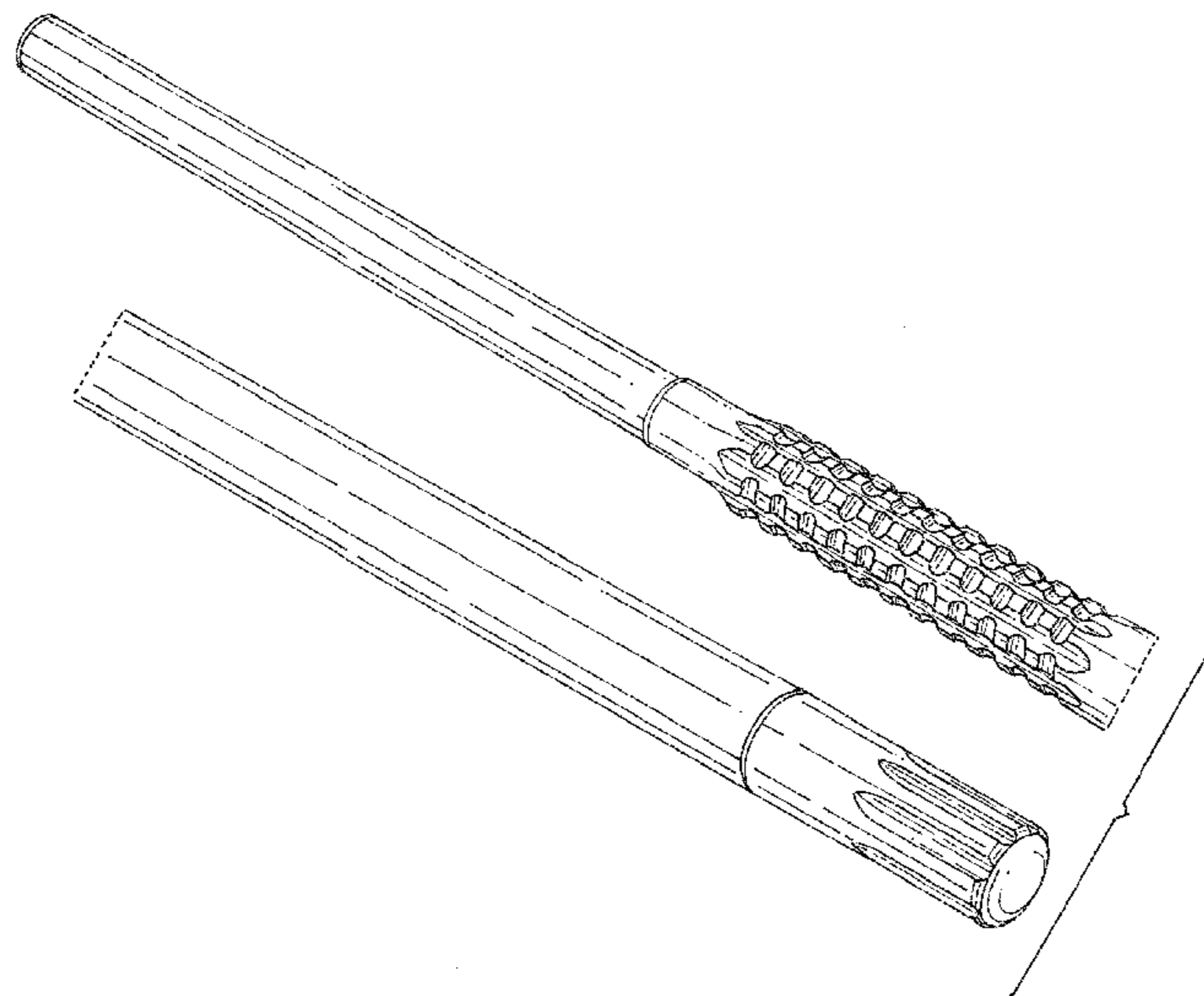
(57) **CLAIM**

The ornamental design for a scalpel handle, as shown and described.

DESCRIPTION

FIG. 1 is a top isometric view of a scalpel handle in accordance with the new design, a bottom isometric view being a mirror image thereof;
FIG. 2 is a left side elevation view thereof, a right side elevation view being a mirror image thereof;
FIG. 3 is a rear isometric view thereof; and,
FIG. 4 is a front isometric view thereof.

1 Claim, 4 Drawing Sheets



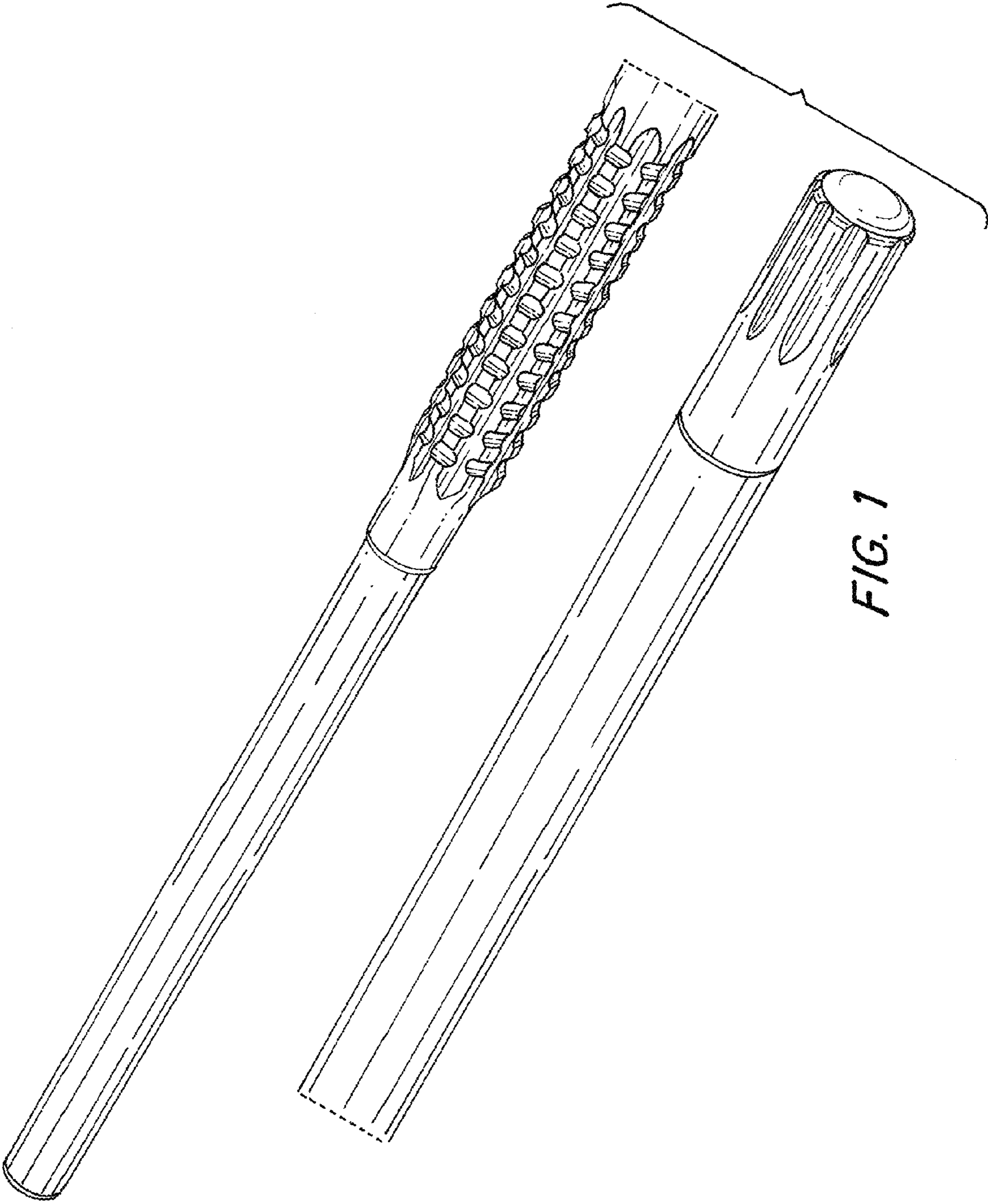


FIG. 1

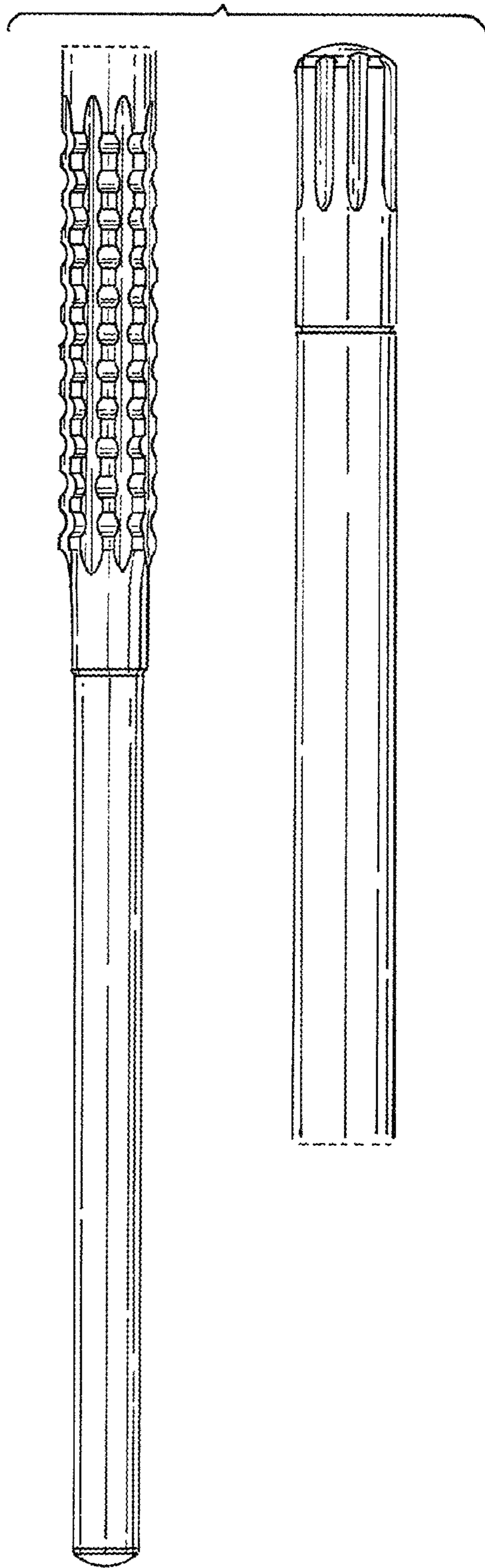


FIG. 2

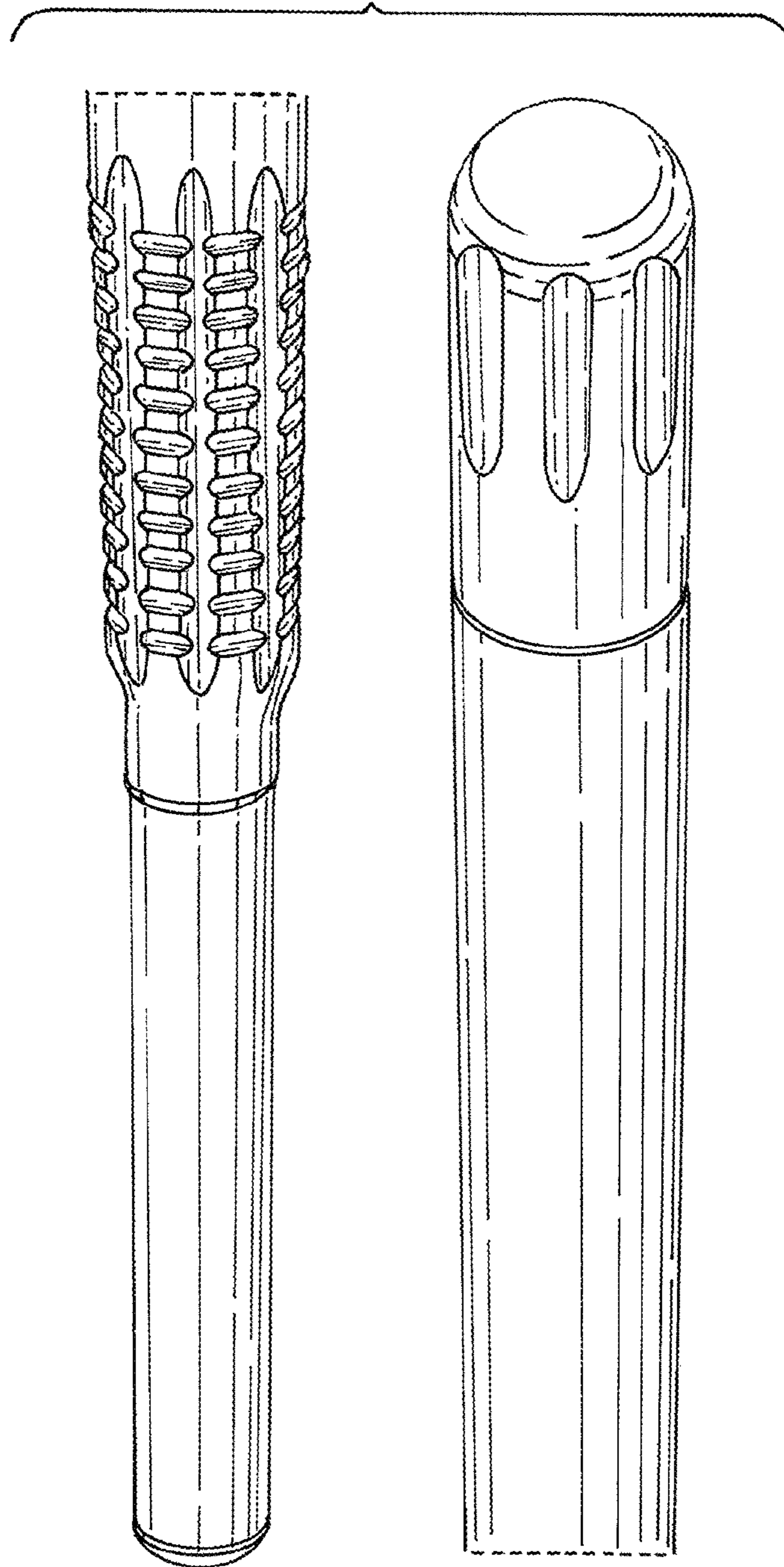


FIG. 3

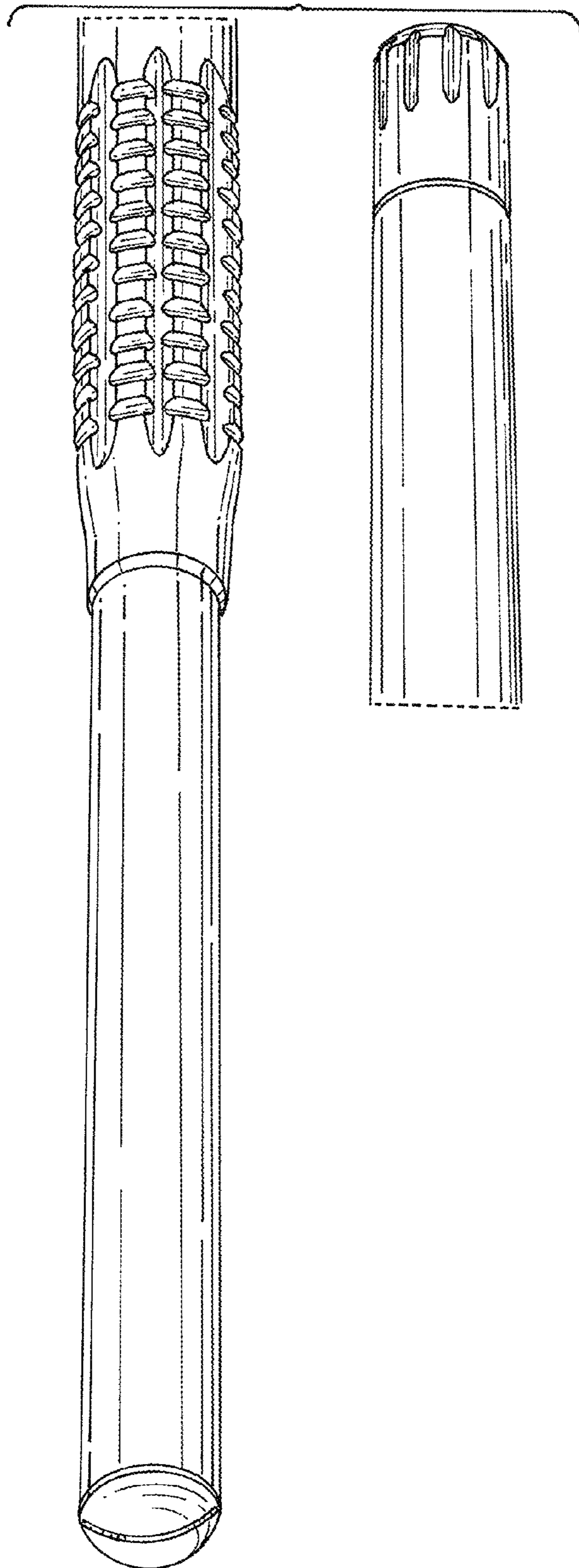


FIG. 4