



US00D700696S

(12) **United States Design Patent**
Kashiwagi et al.

(10) **Patent No.:** **US D700,696 S**
(45) **Date of Patent:** **** Mar. 4, 2014**

(54) **SCRAPER FOR EXHAUST GAS TREATMENT APPARATUS**

(75) Inventors: **Seiji Kashiwagi**, Tokyo (JP); **Hiroshi Ikeda**, Tokyo (JP); **Kazutomo Miyazaki**, Tokyo (JP)

(73) Assignee: **Ebara Corporation**, Tokyo (JP)

(**) Term: **14 Years**

(21) Appl. No.: **29/432,083**

(22) Filed: **Sep. 13, 2012**

(30) **Foreign Application Priority Data**

Mar. 16, 2012 (JP) 2012-006010

(51) **LOC (10) Cl.** **23-03**

(52) **U.S. Cl.**
USPC **D23/499**

(58) **Field of Classification Search**
USPC D23/403-410, 415-422, 499, 345, 347, D23/349; D7/332, 402, 407, 417; D15/144; 40/428, 798; 44/520, 530; 52/36.3; 126/201, 258, 500, 512, 540, 543, 544, 126/548, 555, 298; 160/DIG. 9; 219/549; 431/263, 273, 329
See application file for complete search history.

(56) **References Cited**

U.S. PATENT DOCUMENTS

1,465,133 A * 8/1923 Hubbard 126/215
1,470,168 A * 10/1923 Jepsen 33/31
D410,010 S * 5/1999 Gieseke et al. D15/5
D430,991 S * 9/2000 Cragg D7/402
D440,293 S * 4/2001 Gieseke et al. D23/365

6,540,801 B2 * 4/2003 Gieseke et al. 55/330
D476,725 S * 7/2003 Dushek et al. D23/365
6,852,148 B2 * 2/2005 Gieseke et al. 95/287
D525,273 S * 7/2006 Conway et al. D15/144
D628,269 S * 11/2010 Dittmann et al. D23/209
7,985,379 B2 * 7/2011 Chiu et al. 422/168
2003/0054299 A1 * 3/2003 Kawamura et al. 431/5
2012/0128541 A1 * 5/2012 Kashiwagi et al. 422/173

* cited by examiner

Primary Examiner — Karen S Acker

(74) *Attorney, Agent, or Firm* — Greenblum & Bernstein P.L.C.

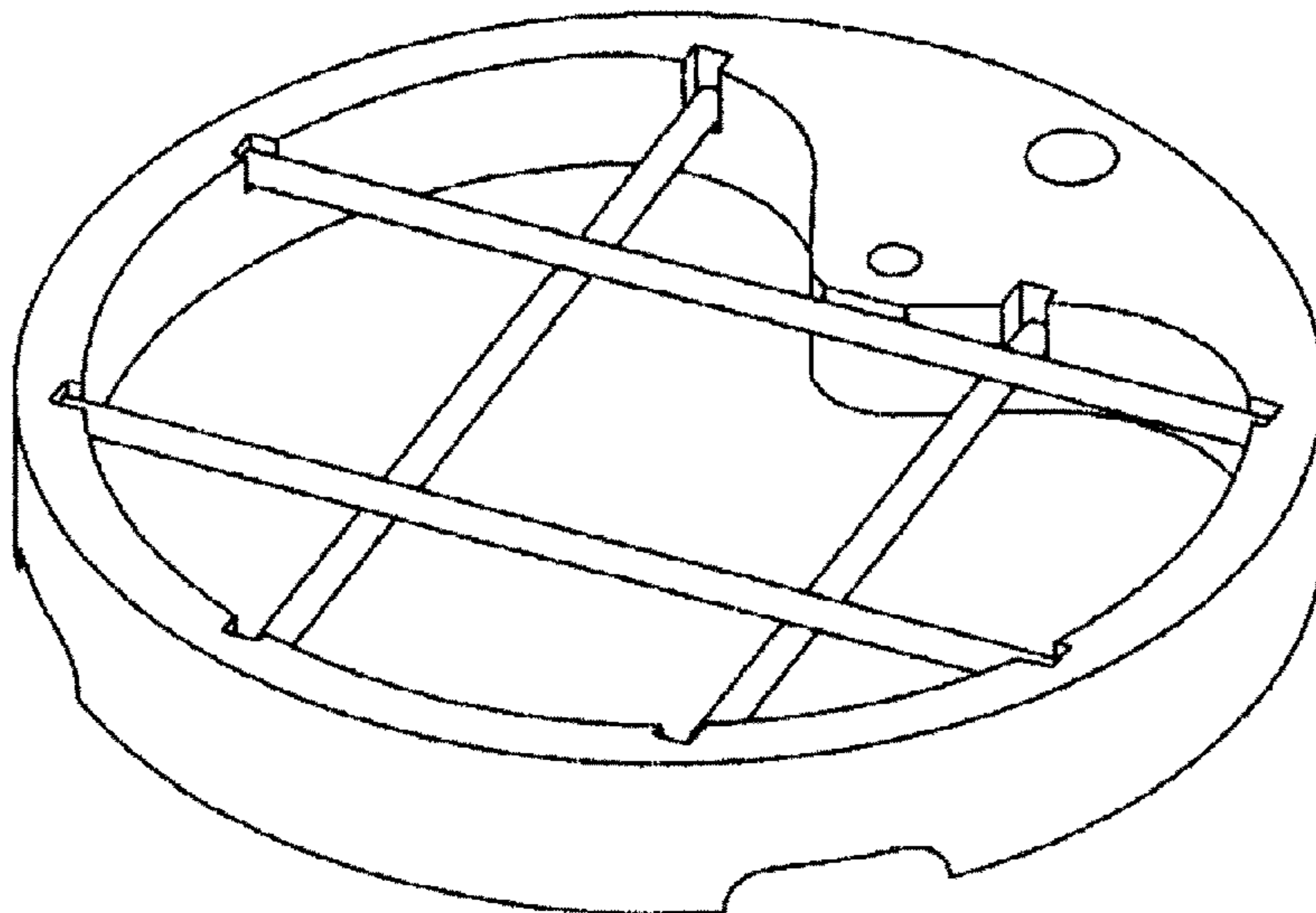
(57) **CLAIM**

The ornamental design for a scraper for exhaust gas treatment apparatus, as shown and described.

DESCRIPTION

FIG. 1 is a top perspective view of a scraper for exhaust gas treatment apparatus showing our new design; FIG. 2 is a bottom perspective view thereof; FIG. 3 is a front elevation view thereof; FIG. 4 is a rear elevation view thereof; FIG. 5 is a top plan view thereof; FIG. 6 is a bottom plan view; FIG. 7 is a right side view thereof; FIG. 8 is a left side view thereof; FIG. 9 is a top perspective view showing the scraper for exhaust gas treatment apparatus in a position of use; and, FIG. 10 is a bottom perspective view showing the scraper for exhaust gas treatment apparatus in a position of use. The broken lines depict environmental subject matter only and form no part of the claimed design.

1 Claim, 8 Drawing Sheets



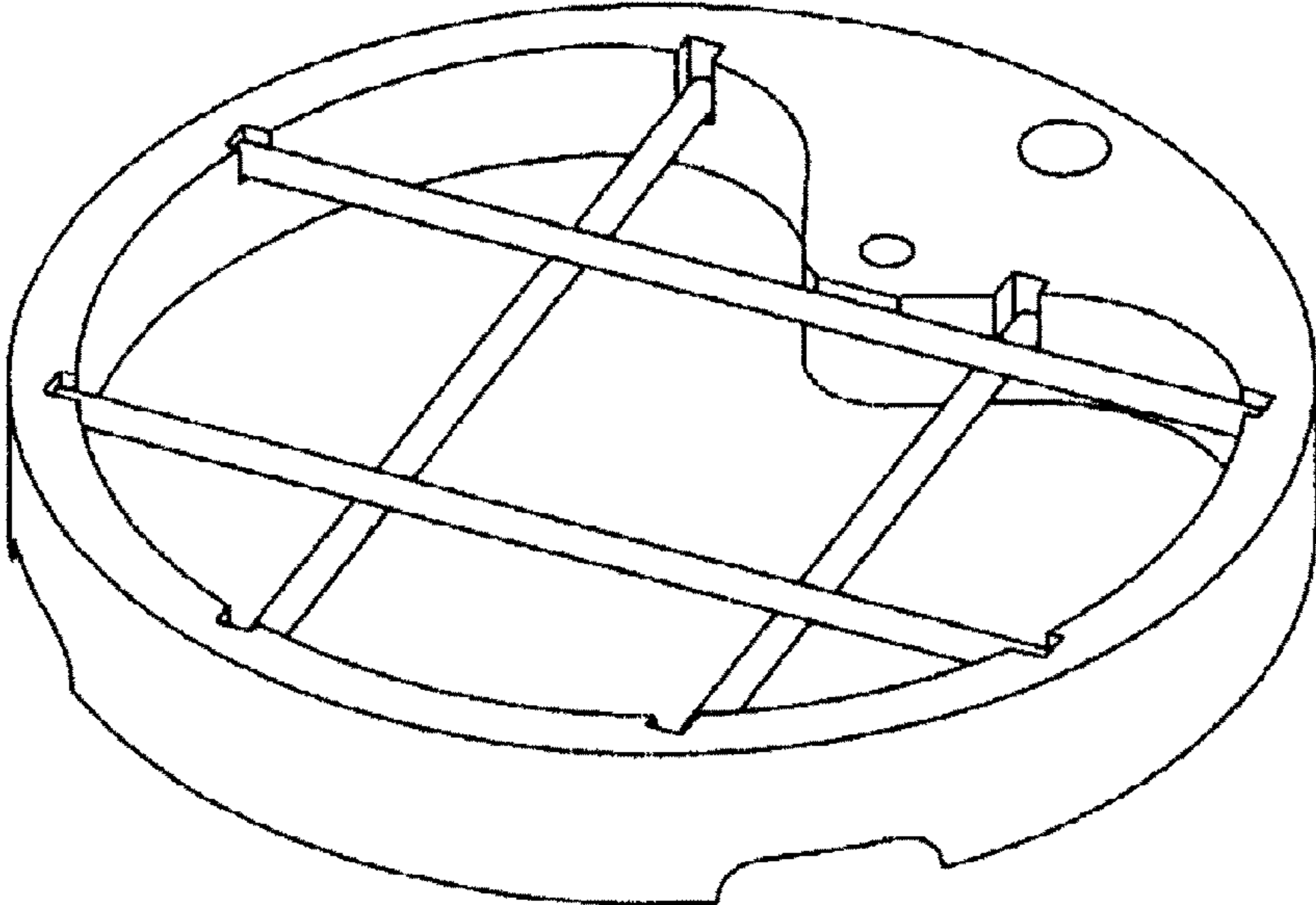


Fig.1

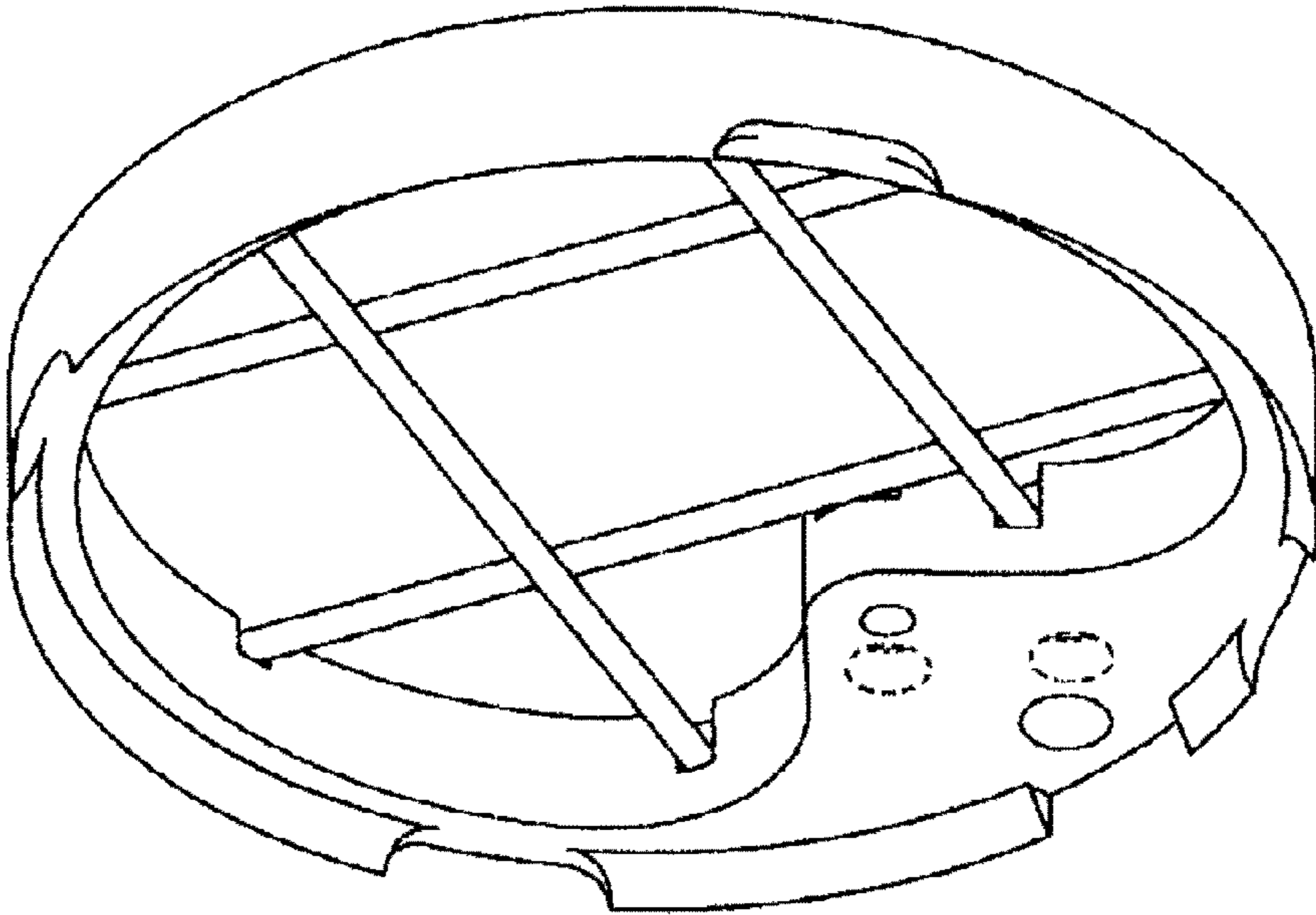


Fig.2



Fig.3



Fig.4

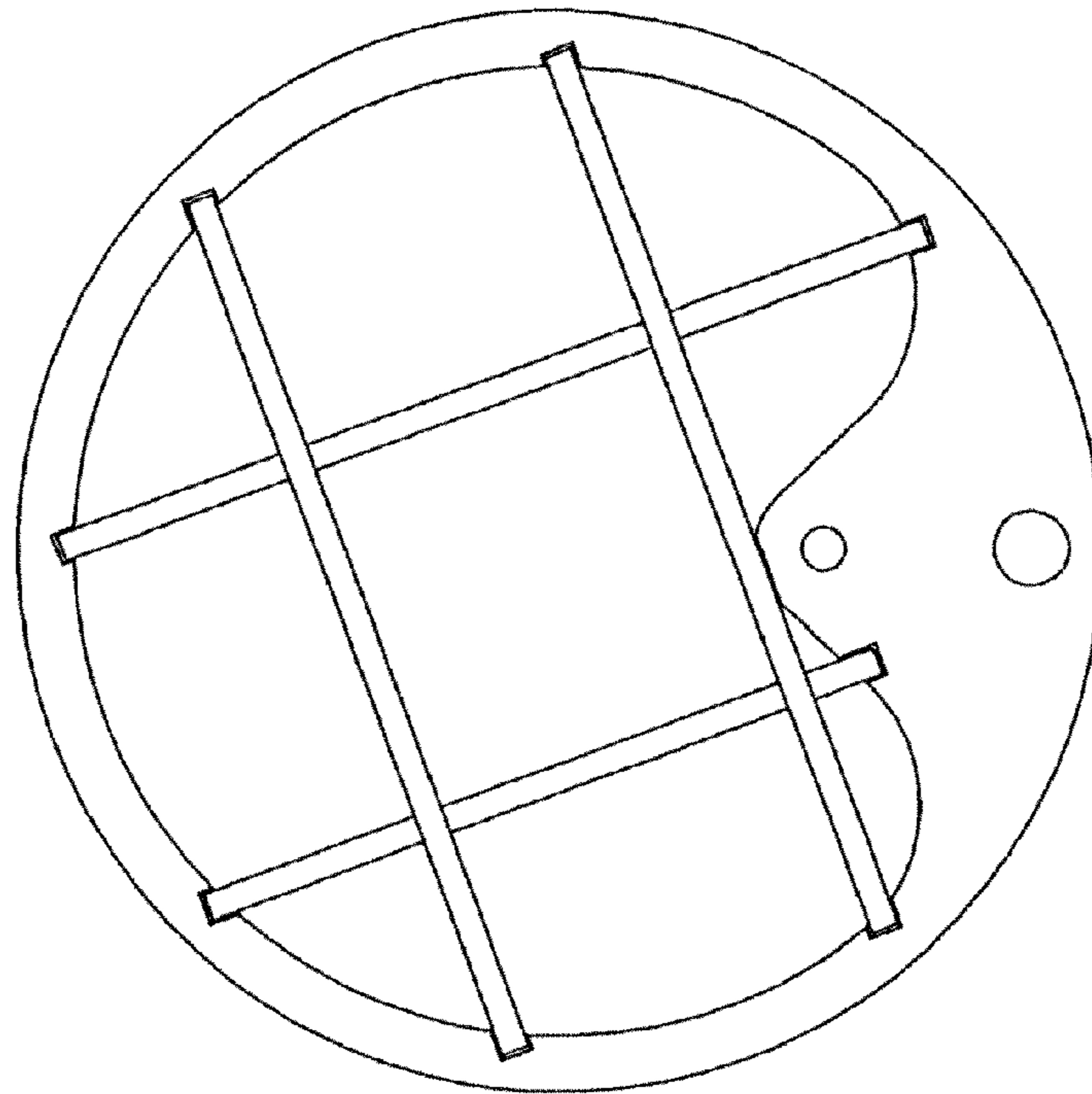


Fig.5

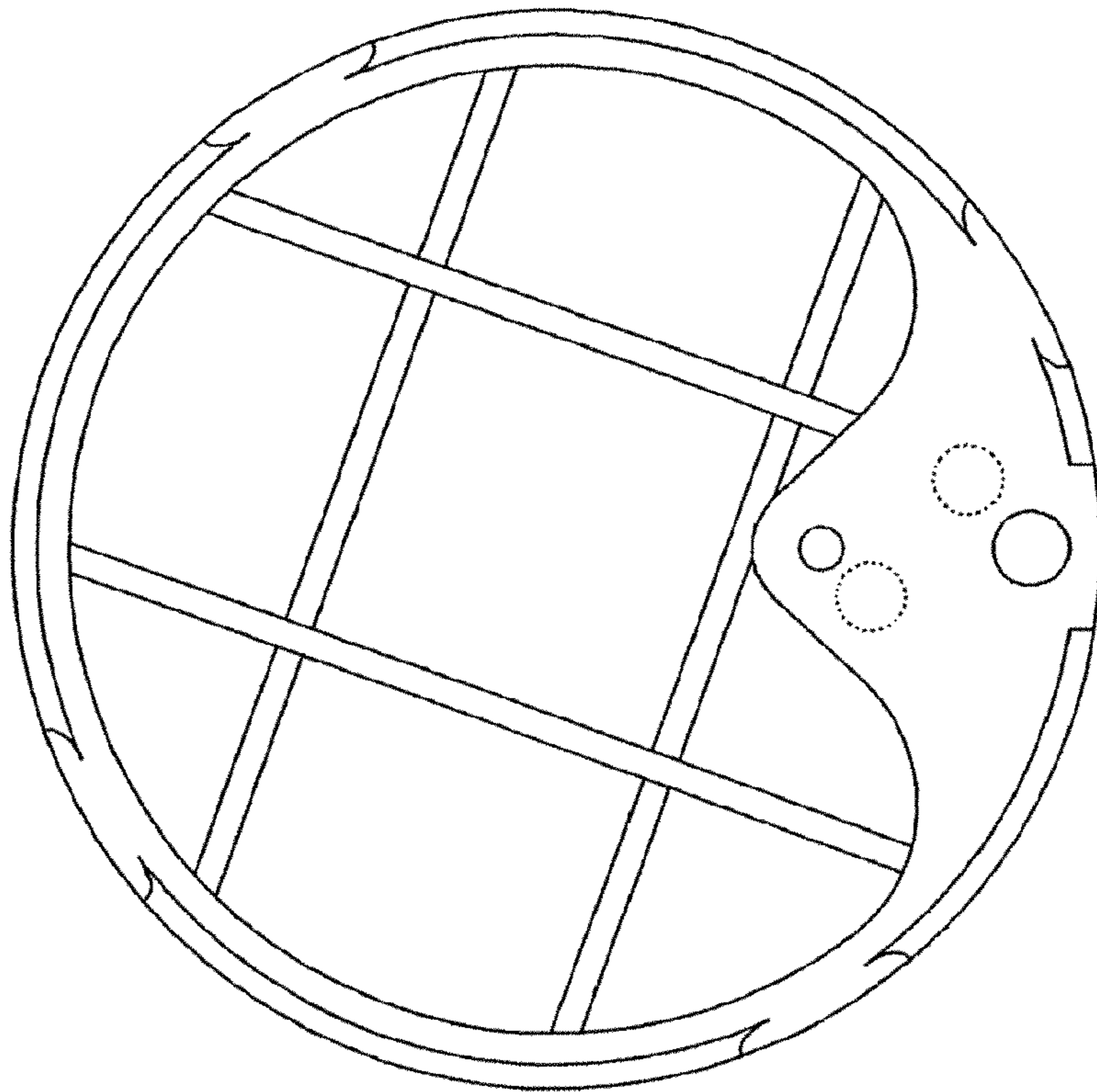


Fig.6

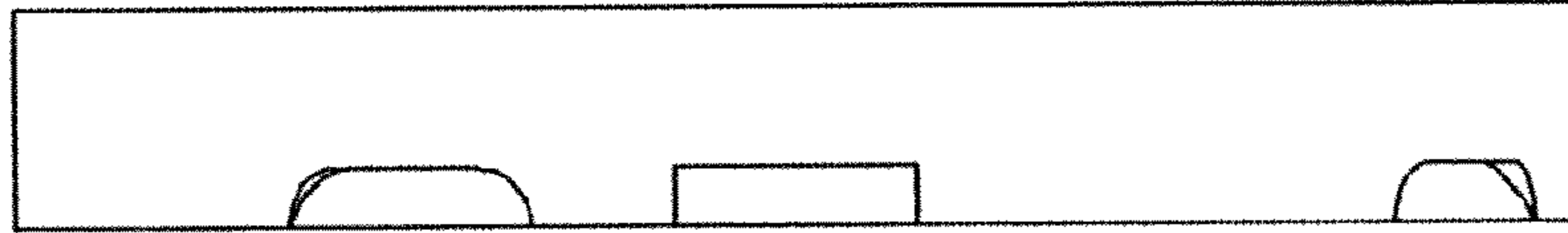


Fig.7



Fig.8

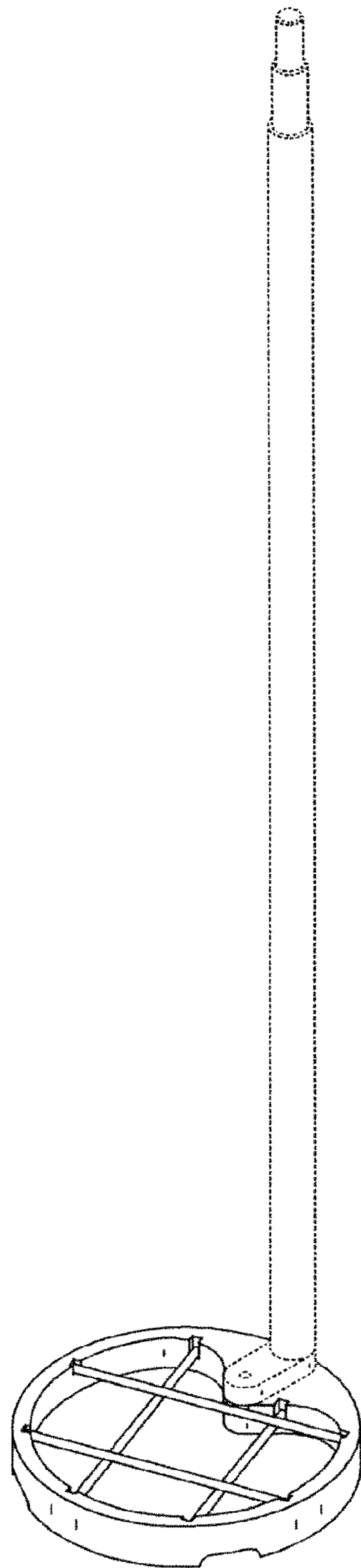


Fig.9

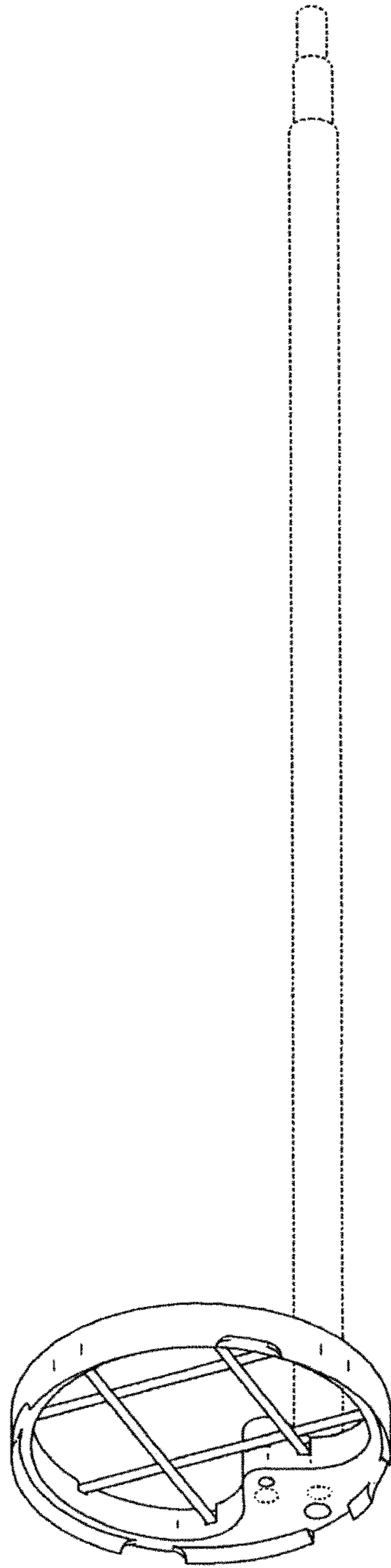


Fig.10