



US00D700694S

(12) **United States Design Patent**  
**Sordo et al.**

(10) **Patent No.:** **US D700,694 S**  
(45) **Date of Patent:** **\*\* Mar. 4, 2014**

(54) **DIFFUSING EVAPORATOR FOR ACTIVE SUBSTANCE**

(75) Inventors: **Walter Sordo**, Trento (IT); **Edoardo Bertassi**, Trento (IT); **Andrea Pedrotti**, Cavedine TN (IT)

(73) Assignee: **Zobe Holding S.p.A.**, Trento (IT)

(\*\*) Term: **14 Years**

(21) Appl. No.: **29/408,508**

(22) Filed: **Dec. 13, 2011**

(30) **Foreign Application Priority Data**

Jun. 13, 2011 (EM) ..... 001876871-0002

(51) **LOC (10) Cl.** ..... **28-99**

(52) **U.S. Cl.**  
USPC ..... **D23/366**

(58) **Field of Classification Search**  
USPC ..... D23/355-369; D28/5, 6; 261/DIG. 17, 261/DIG. 42, DIG. 65, DIG. 88, DIG. 89, 261/DIG. 47, DIG. 55, DIG. 70; 392/356, 392/390, 392, 394, 395; 239/34, 44, 53, 55, 239/56, 326, 60, 308

See application file for complete search history.

(56) **References Cited**

**U.S. PATENT DOCUMENTS**

D432,222 S \* 10/2000 Rymer et al. .... D23/366  
D501,921 S \* 2/2005 Caserta et al. .... D23/366

D510,423 S \* 10/2005 Caserta et al. .... D23/366  
D511,823 S \* 11/2005 Caserta et al. .... D23/366  
6,976,637 B2 \* 12/2005 Massimo ..... 239/44  
D516,692 S \* 3/2006 Caserta et al. .... D23/366  
7,014,818 B2 \* 3/2006 Rymer ..... 422/123  
D539,892 S \* 4/2007 Caserta et al. .... D23/366  
D582,537 S \* 12/2008 Kay et al. .... D23/366  
D583,038 S \* 12/2008 Kay et al. .... D23/366  
D583,457 S \* 12/2008 Kay et al. .... D23/366  
D625,400 S \* 10/2010 Deflorian et al. .... D23/366  
D625,797 S \* 10/2010 Poves et al. .... D23/366  
D626,205 S \* 10/2010 Fabregas et al. .... D23/366

\* cited by examiner

*Primary Examiner* — Sandra Snapp

(74) *Attorney, Agent, or Firm* — Young & Thompson

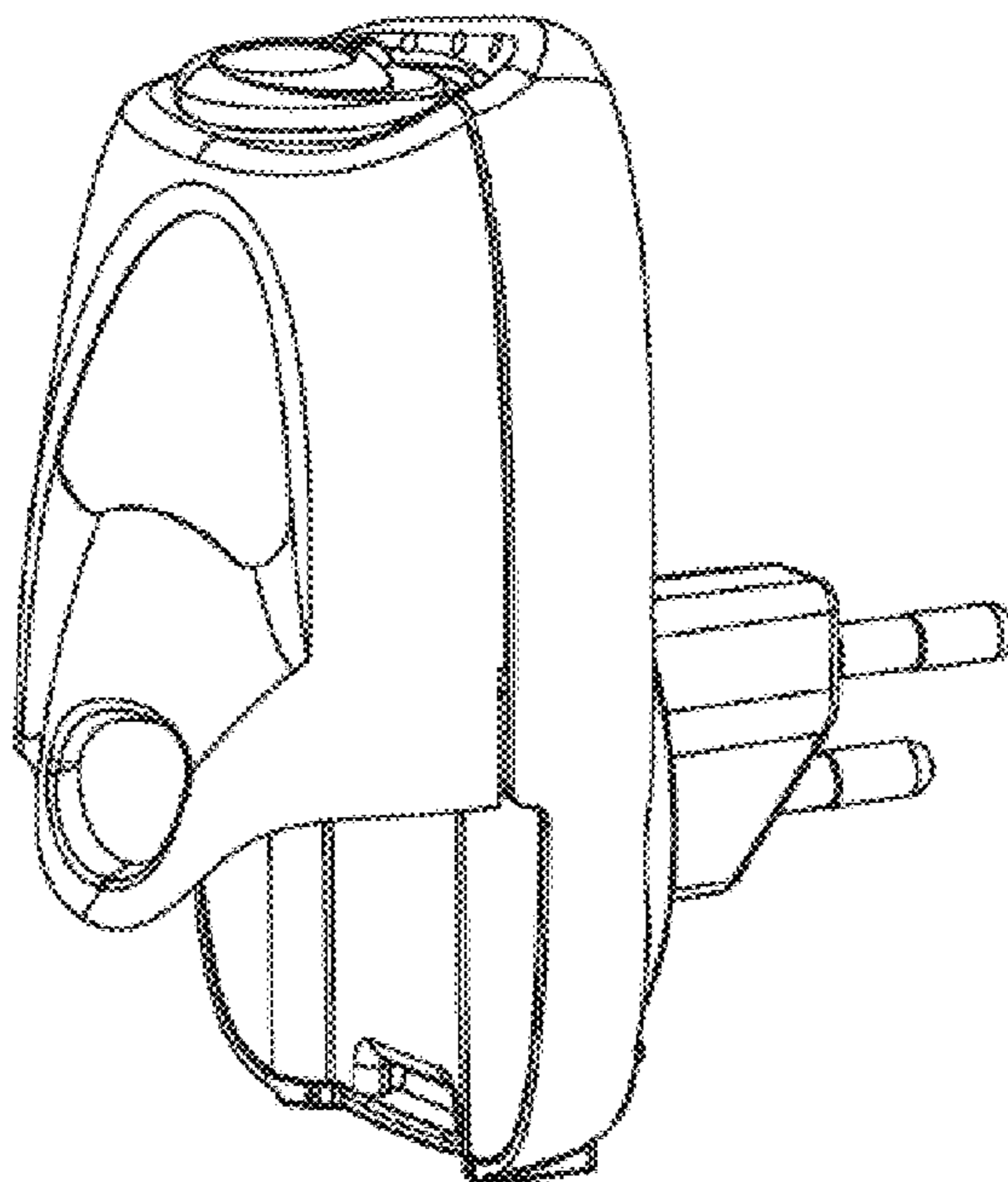
(57) **CLAIM**

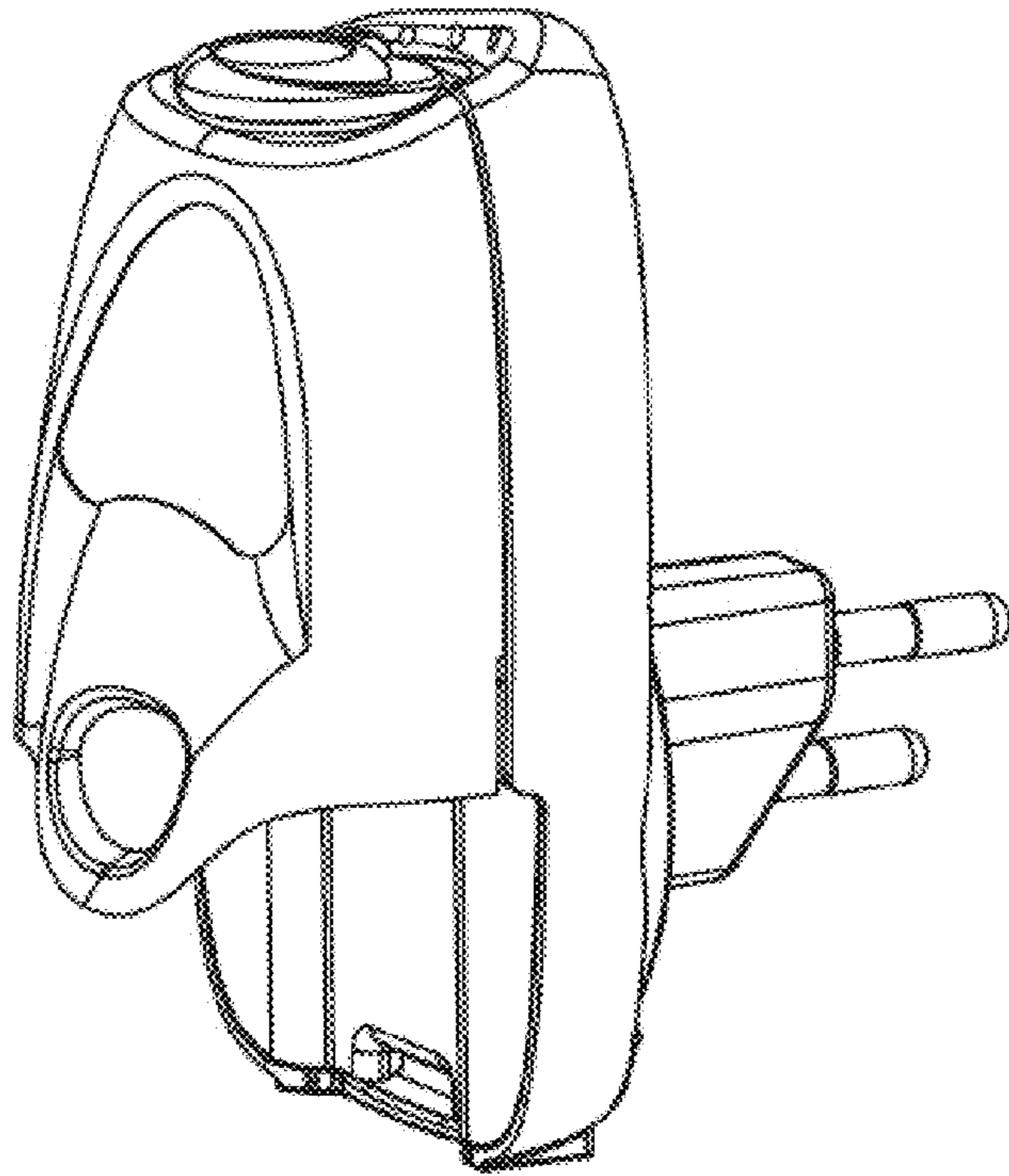
The ornamental design for a diffusing evaporator for active substance, as shown and described.

**DESCRIPTION**

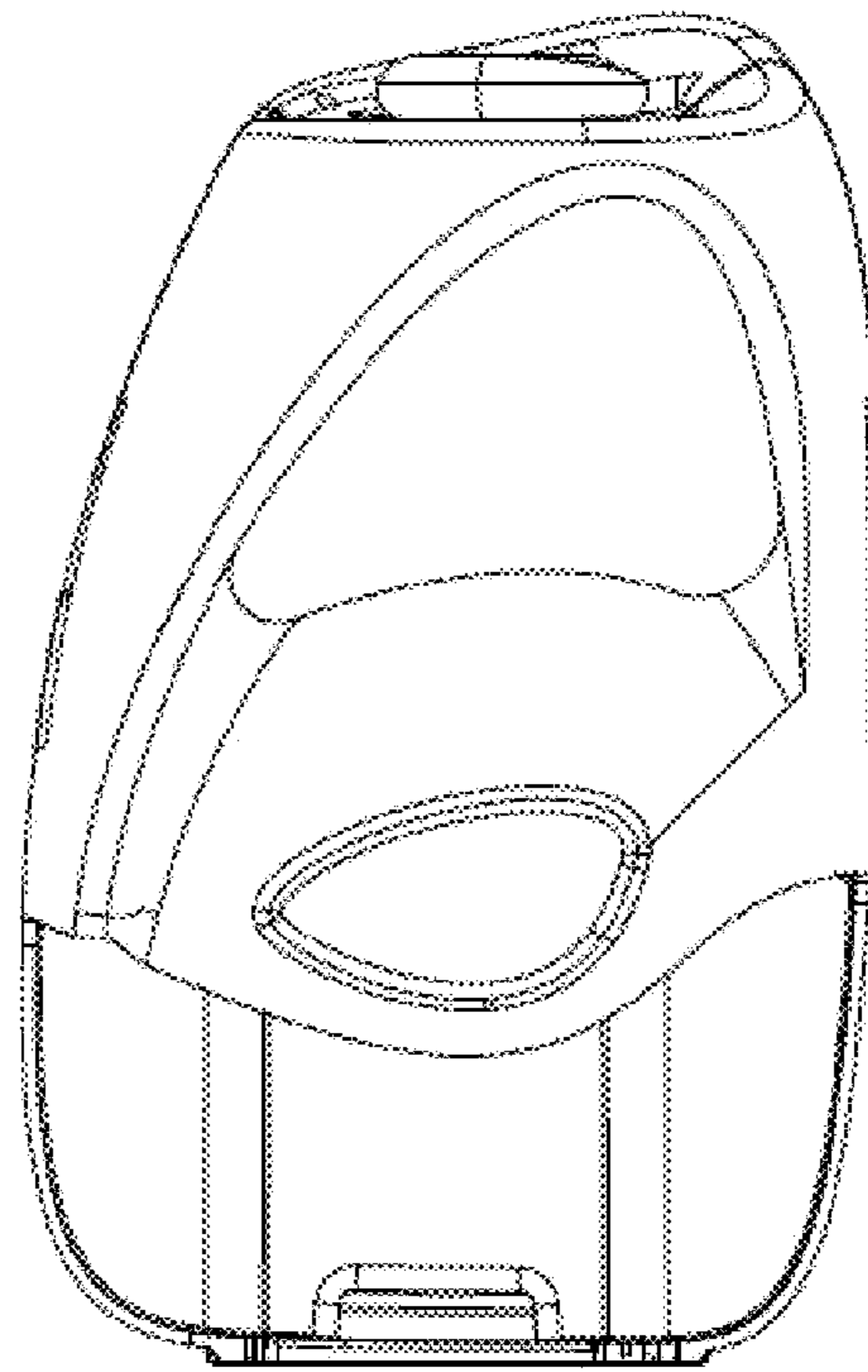
FIG. 1 is a front, top, right side, view of the diffusing evaporator for active substances showing the new design; FIG. 2 is a front elevation view thereof; FIG. 3 is a left side elevation view thereof; FIG. 4 is a right side elevation view thereof; FIG. 5 is a top plan view thereof; FIG. 6 is a bottom plan view thereof; FIG. 7 is a rear elevation view thereof; FIG. 8 is a rear, left side, top perspective view thereof; and, FIG. 9 is a front, left side, top perspective view thereof. The portions of the design shown in broken lines show unclaimed subject matter.

**1 Claim, 5 Drawing Sheets**



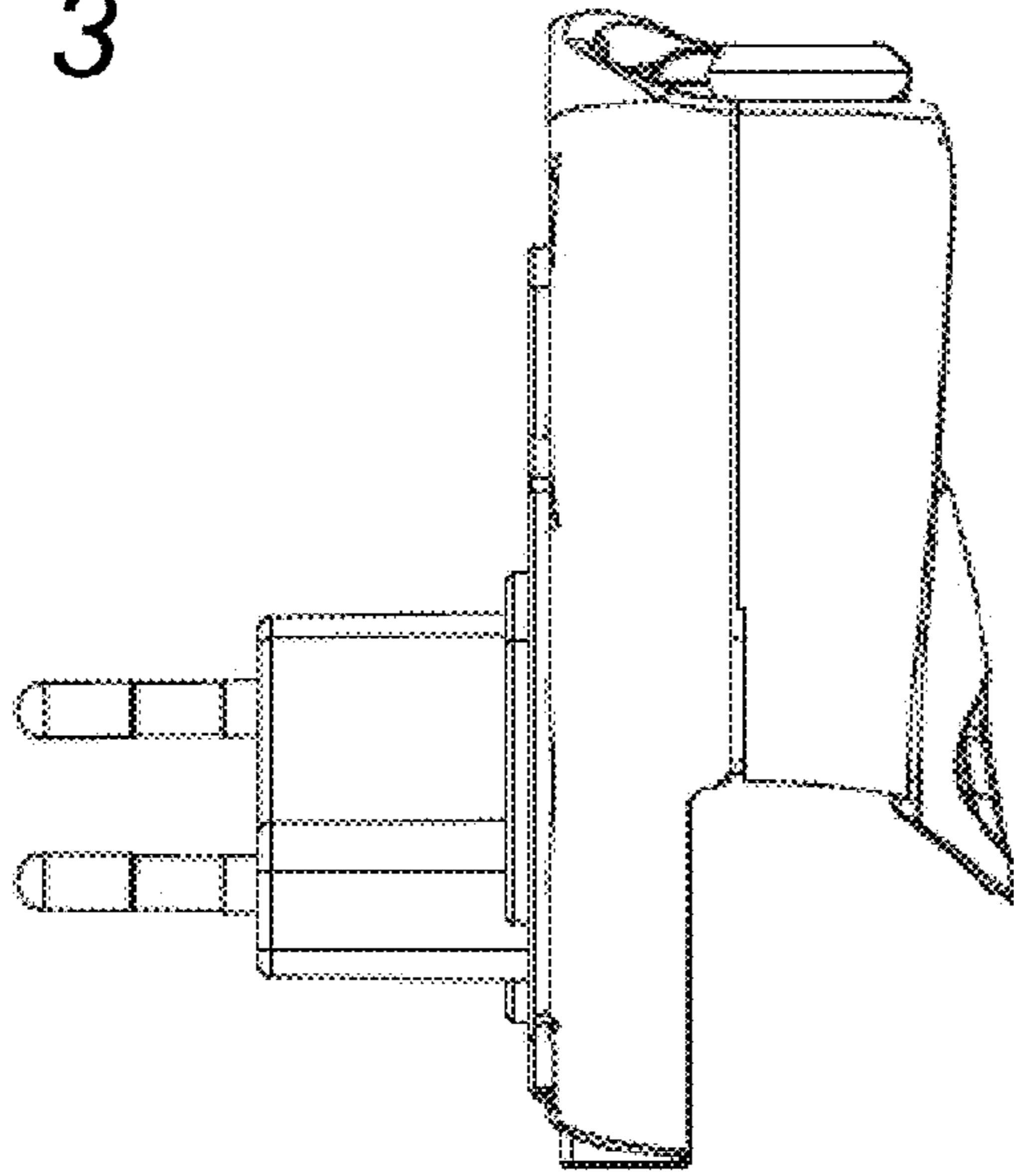


*Fig. 1*

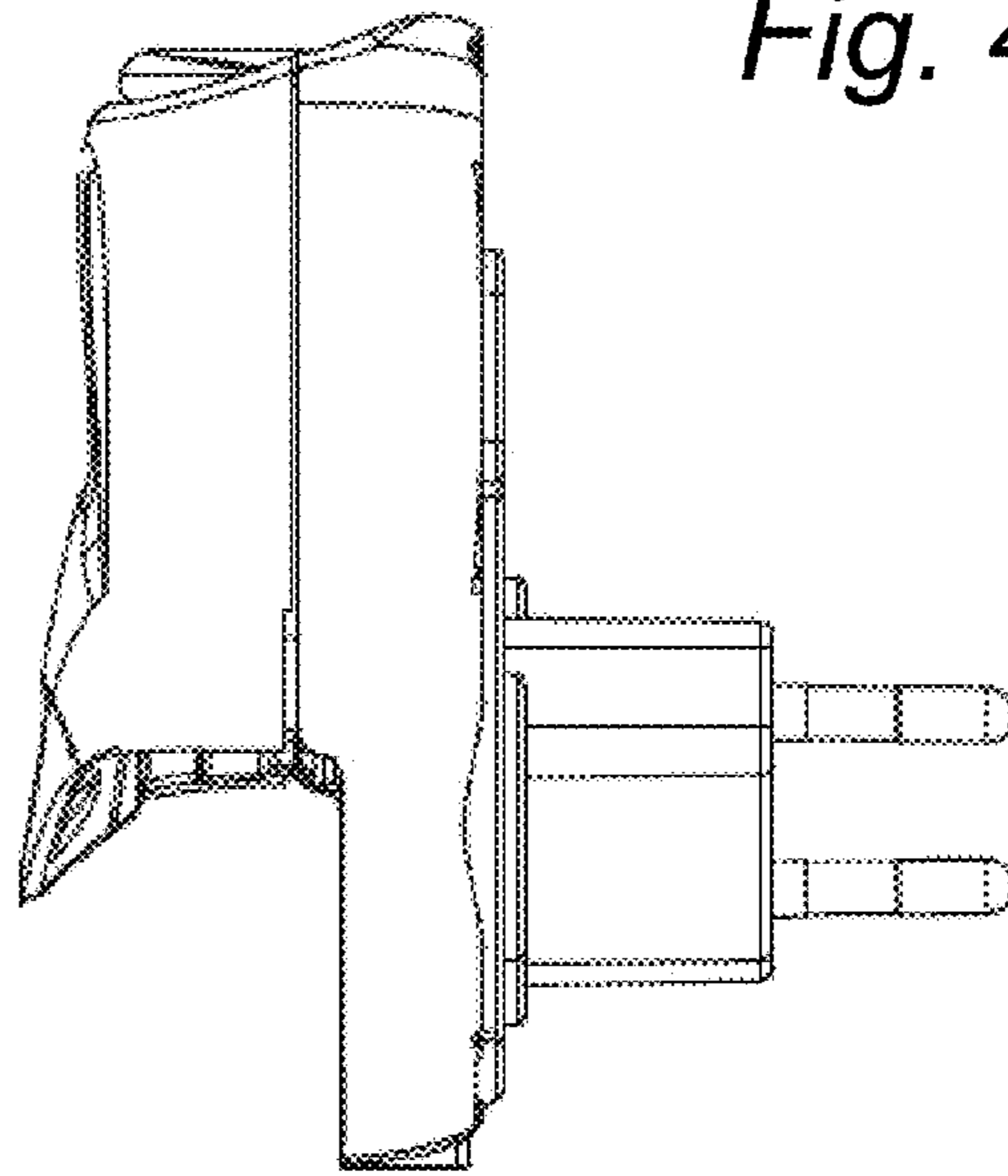


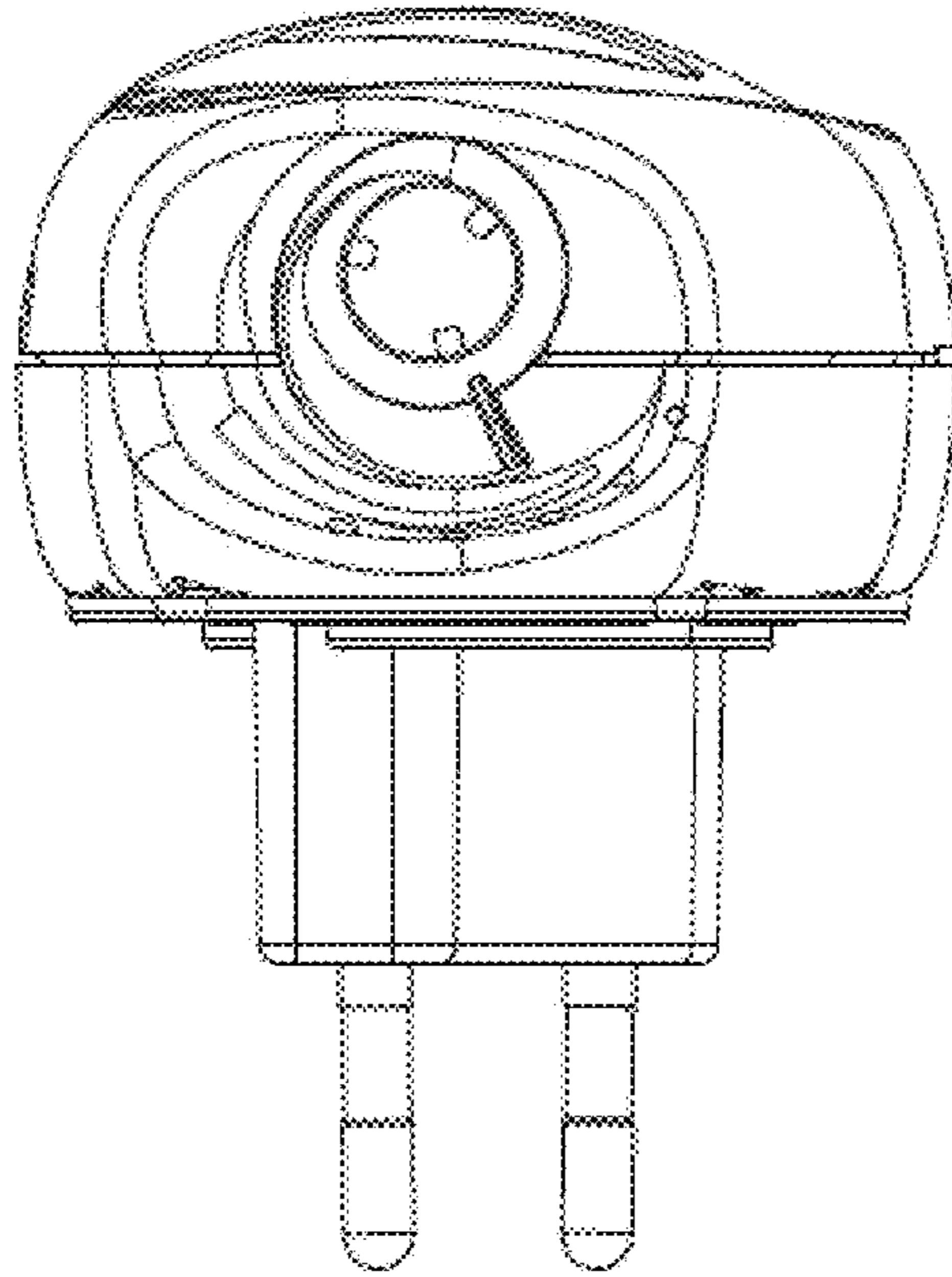
*Fig. 2*

*Fig. 3*

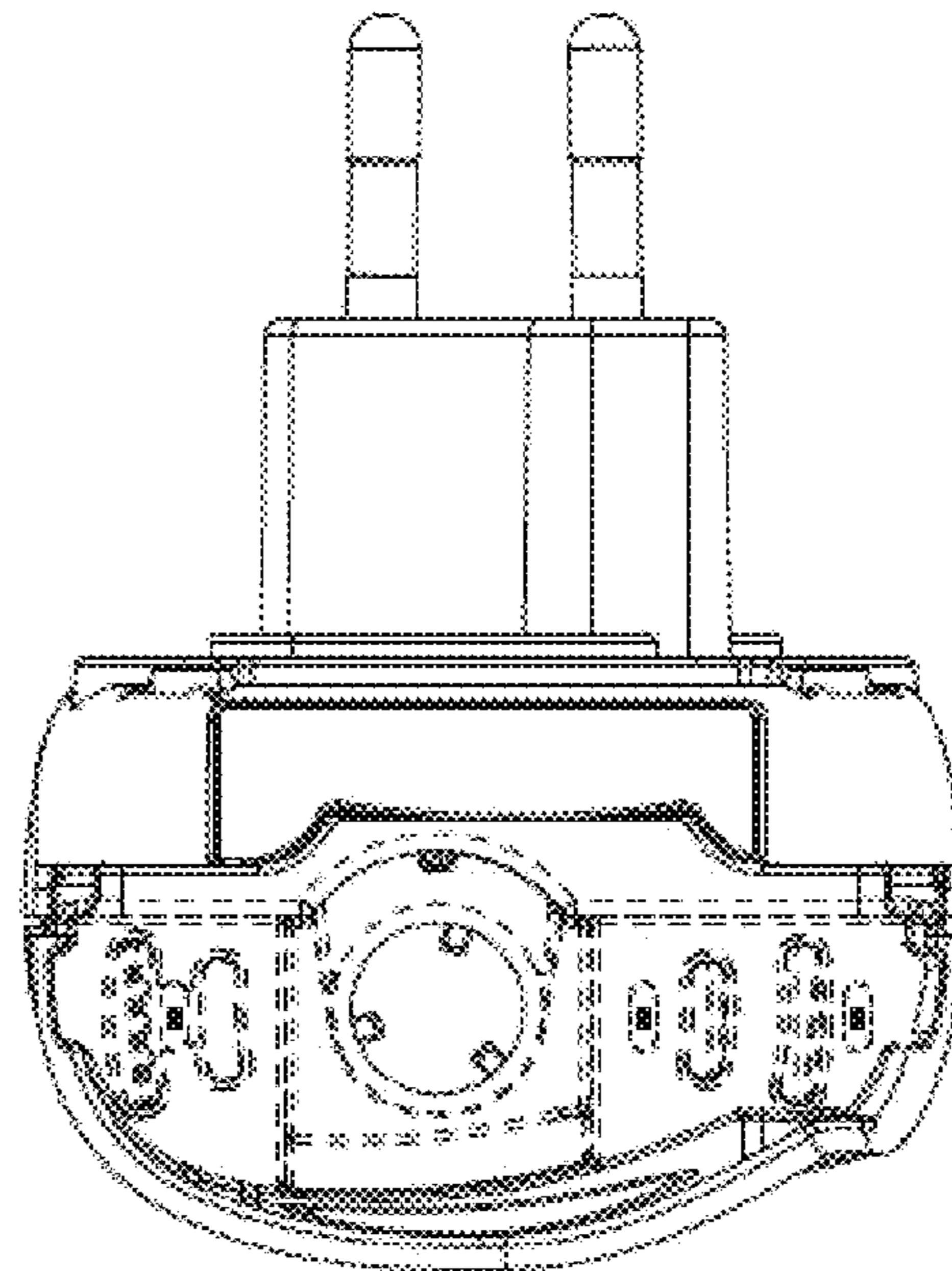


*Fig. 4*

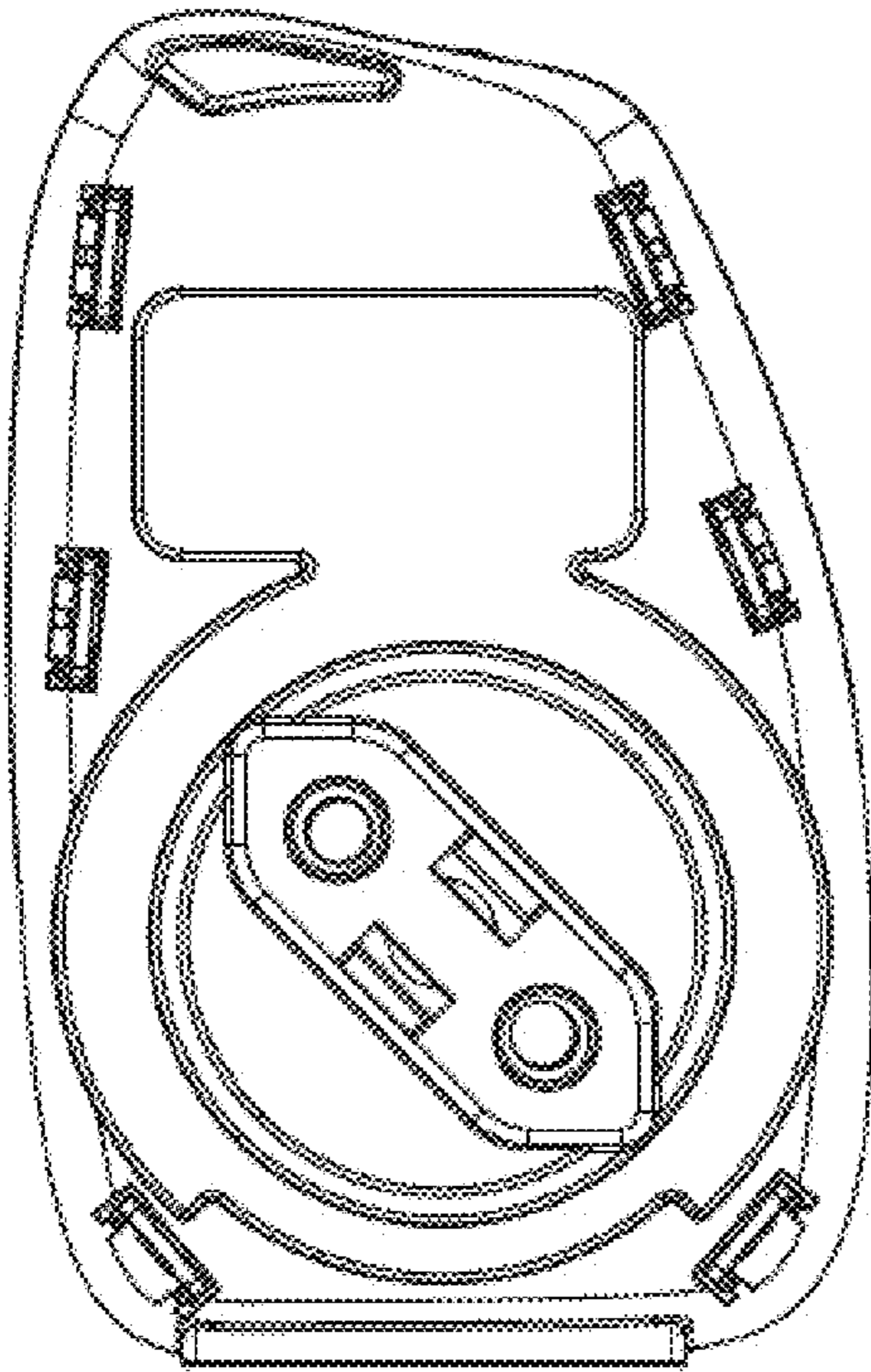




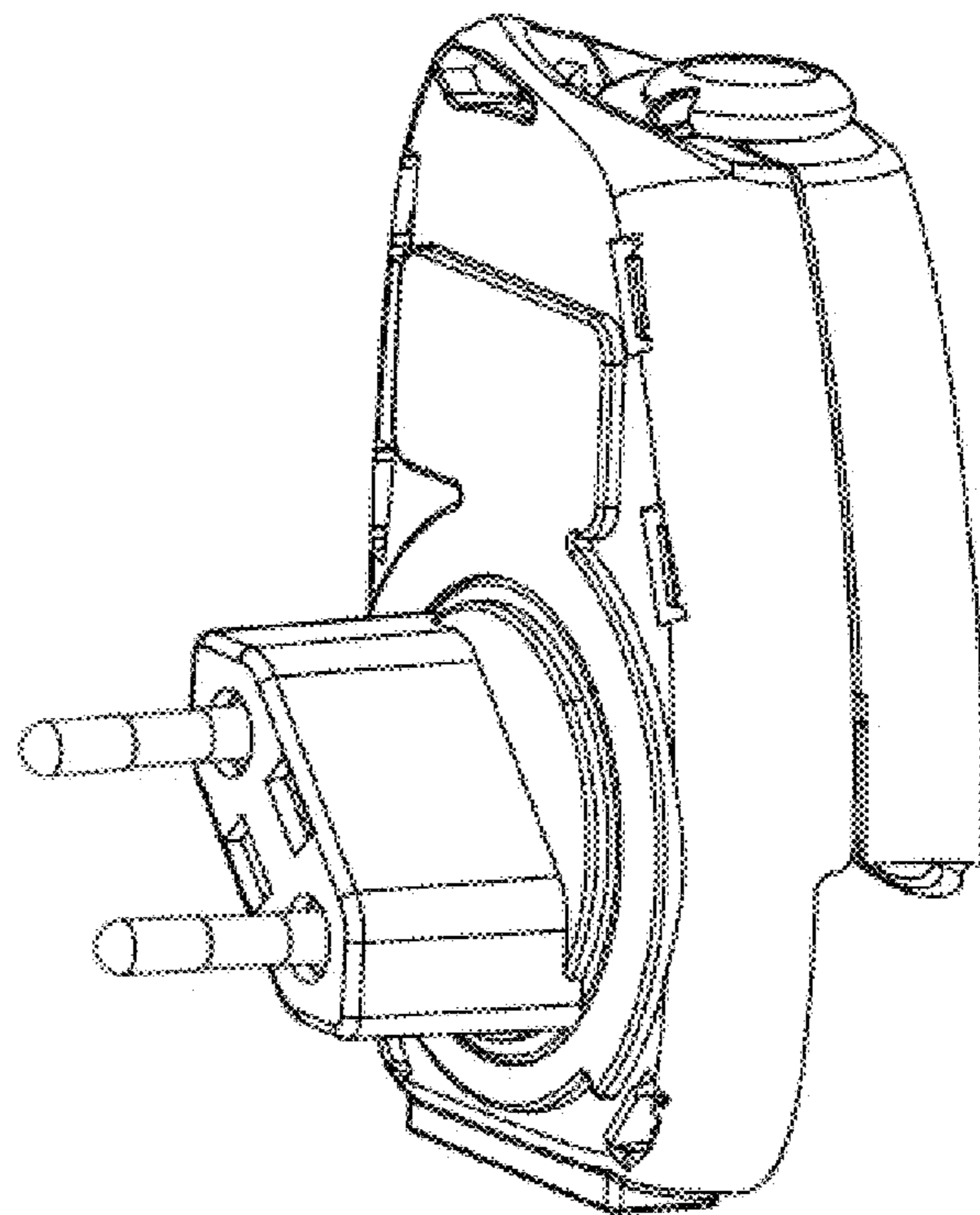
*Fig. 5*



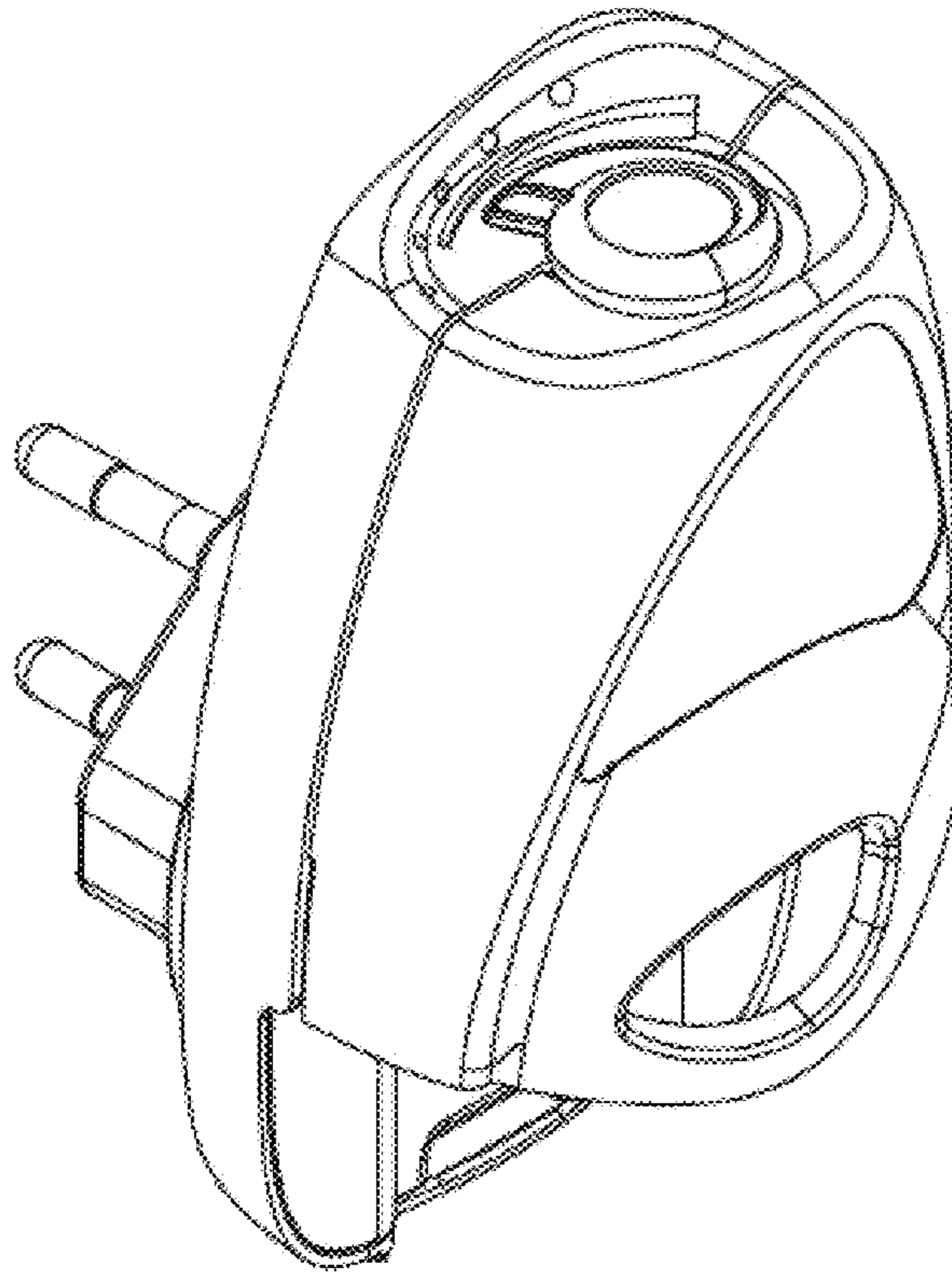
*Fig. 6*



*Fig. 7*



*Fig. 8*



*Fig. 9*