



US00D700691S

(12) **United States Design Patent**
Ikegaya

(10) **Patent No.:** **US D700,691 S**
(45) **Date of Patent:** **** Mar. 4, 2014**

(54) **AIR CONDITIONER**
(71) Applicant: **Takanori Ikegaya**, Kusatsu (JP)
(72) Inventor: **Takanori Ikegaya**, Kusatsu (JP)
(73) Assignee: **Daikin Industries Ltd.**, Osaka-shi,
Osaka-fu (JP)
(**) Term: **14 Years**
(21) Appl. No.: **29/463,242**
(22) Filed: **Sep. 19, 2013**
(51) **LOC (10) Cl.** **23-04**
(52) **U.S. Cl.**
USPC **D23/351**
(58) **Field of Classification Search**
USPC D23/351-354, 385, 355, 357, 361;
312/236; 62/259.1, 259.4, 262-263,
62/304; 454/330-331, 349-350
See application file for complete search history.

D641,854 S *	7/2011	Seki et al.	D23/351
D642,249 S *	7/2011	Seki	D23/351
D642,251 S *	7/2011	Seki	D23/351
D667,095 S *	9/2012	Yamana et al.	D23/351
D669,567 S *	10/2012	Yamana et al.	D23/351
D681,180 S *	4/2013	Chouji	D23/351
D683,004 S *	5/2013	Chouji	D23/351
D683,832 S *	6/2013	Satou	D23/351
D683,833 S *	6/2013	Chouji et al.	D23/351
D685,895 S *	7/2013	Huang	D23/351
D688,780 S *	8/2013	Nakai et al.	D23/351
D689,179 S *	9/2013	Nishiguchi	D23/351
D690,801 S *	10/2013	Nakai et al.	D23/351

* cited by examiner

Primary Examiner — Brian N Vinson
(74) *Attorney, Agent, or Firm* — Manabu Kanesaka

(57) **CLAIM**
The ornamental design for an air conditioner, as shown and described.

DESCRIPTION

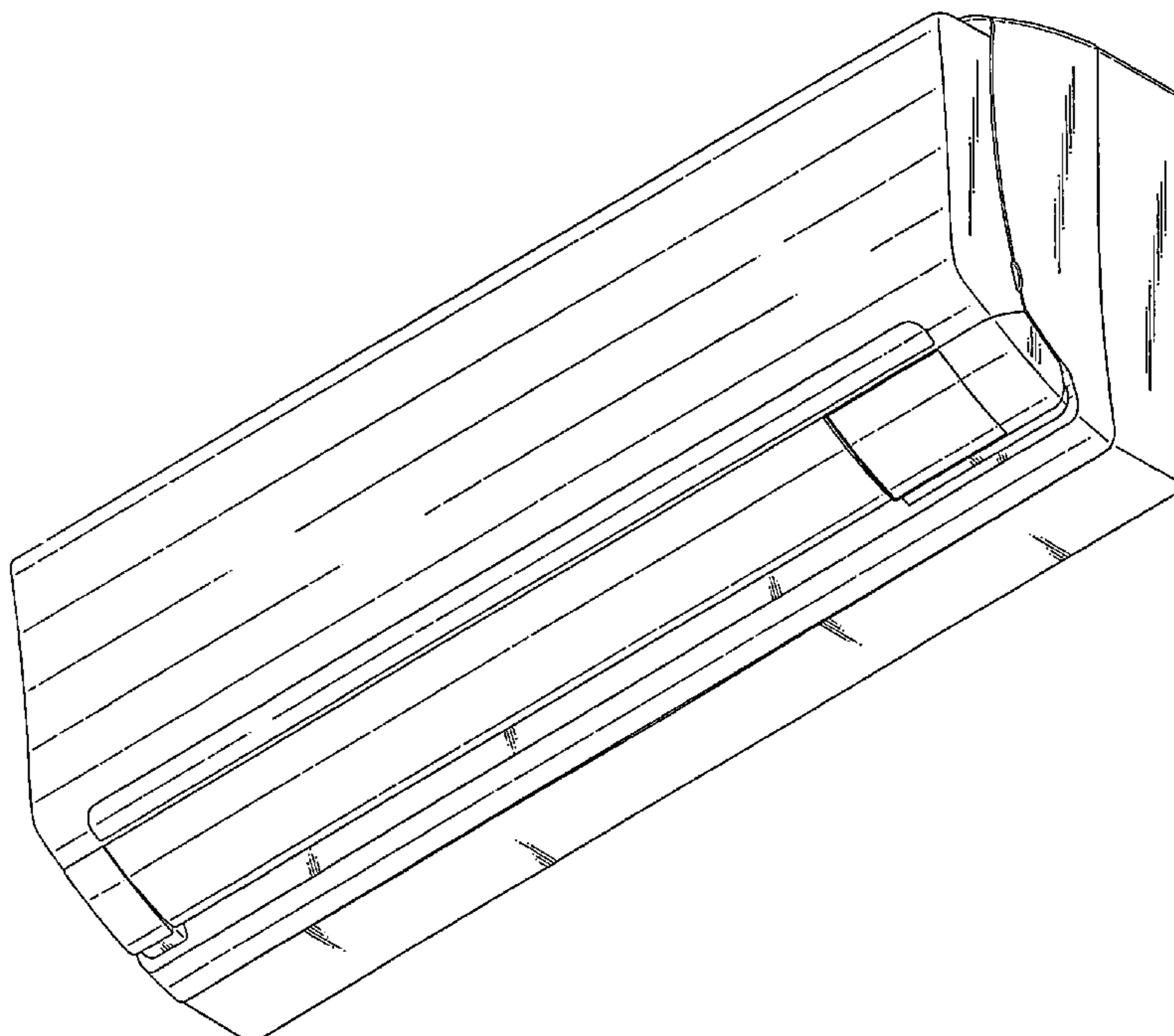
FIG. 1 is a perspective view of an air conditioner showing my new design;
FIG. 2 is a front view thereof;
FIG. 3 is a rear view thereof;
FIG. 4 is a plan view thereof;
FIG. 5 is a bottom view thereof;
FIG. 6 is a left side view thereof;
FIG. 7 is a right side view thereof; and,
FIG. 8 is a cross-sectional view thereof taken along the line 8-8 in FIG. 2.
The broken lines depict portions of the air conditioner that form no part of claimed design.

1 Claim, 7 Drawing Sheets

(56) **References Cited**

U.S. PATENT DOCUMENTS

D553,722 S *	10/2007	Seki et al.	D23/351
D558,866 S *	1/2008	Yamamoto	D23/351
D565,158 S *	3/2008	Nagahori	D23/351
D579,095 S *	10/2008	Nagahori et al.	D23/351
D581,504 S *	11/2008	Nakamura et al.	D23/351
D605,267 S *	12/2009	Nakamura et al.	D23/351
D613,843 S *	4/2010	Ohta	D23/351
D621,018 S *	8/2010	Nagahori et al.	D23/351
D624,167 S *	9/2010	Mishiro et al.	D23/351
D624,168 S *	9/2010	Aketa et al.	D23/351
D632,769 S *	2/2011	Seki	D23/351



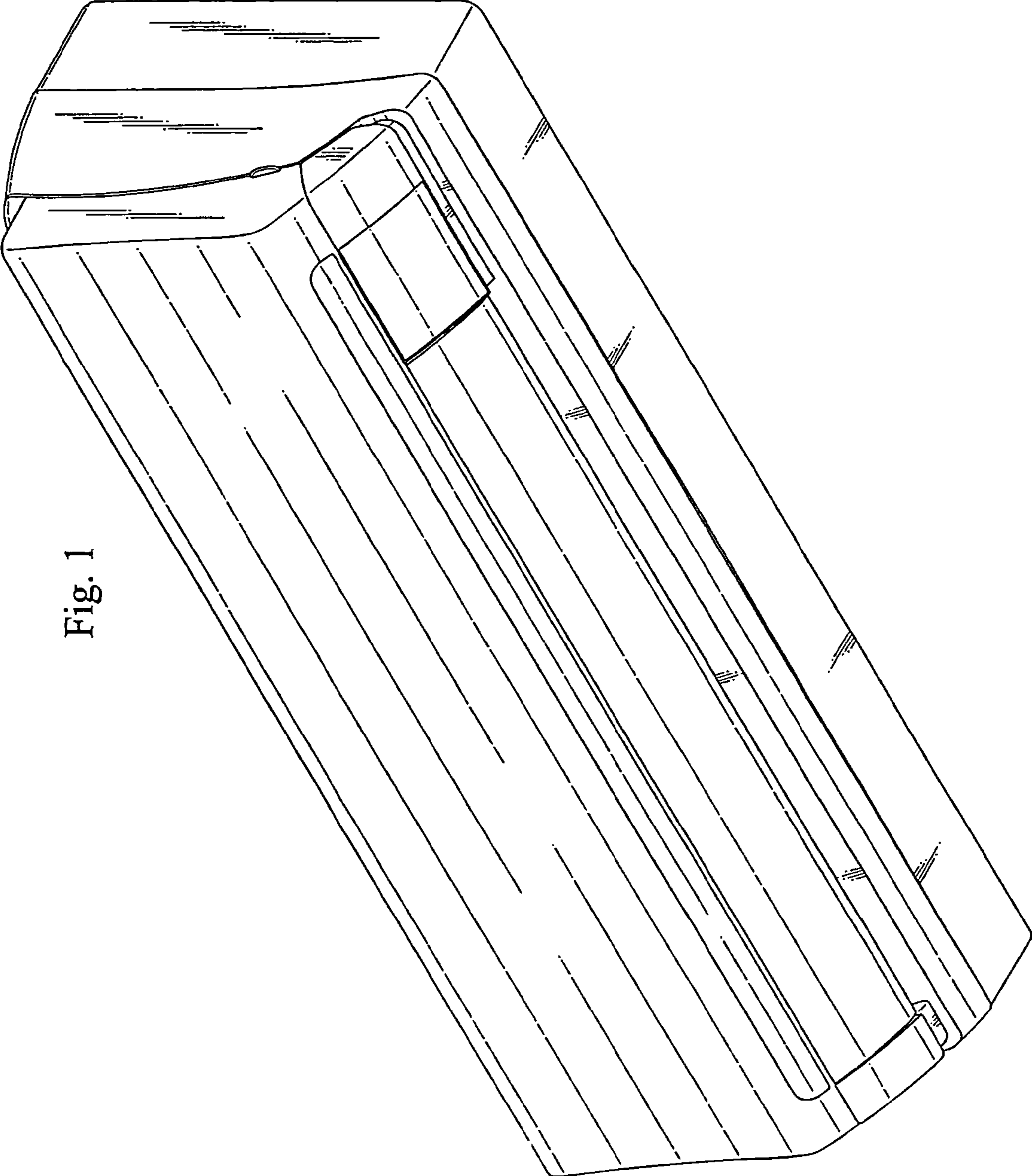
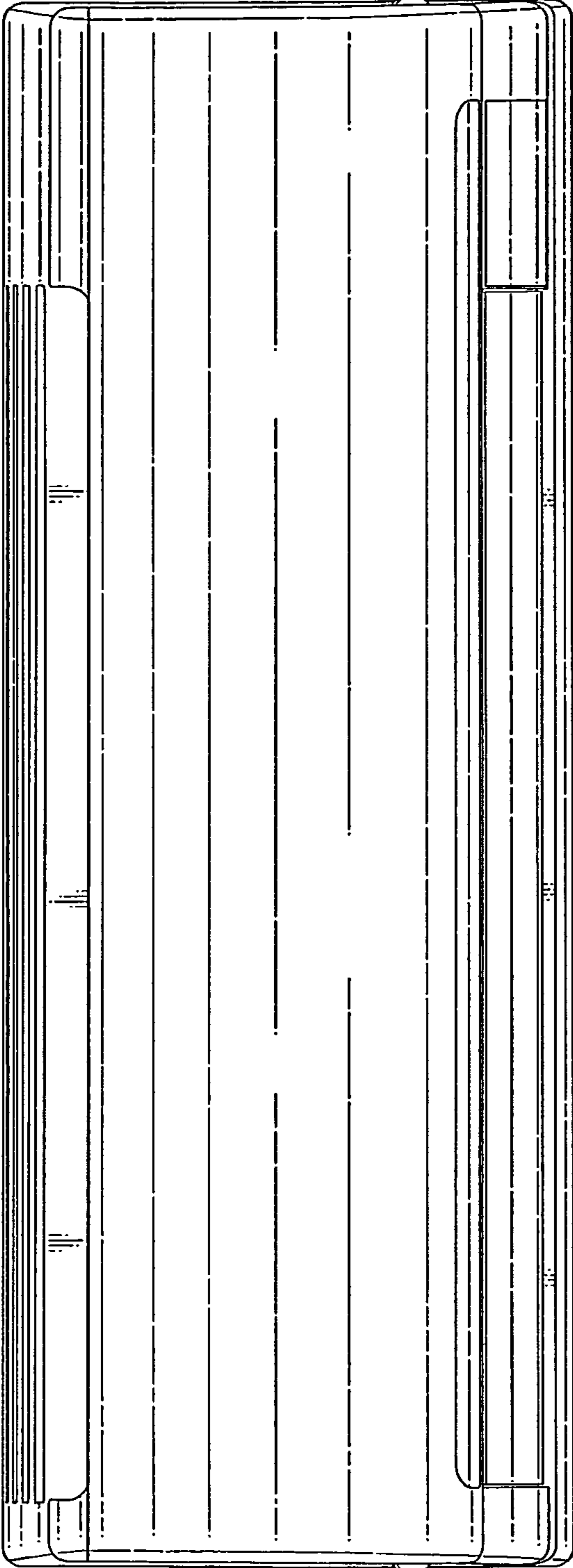


Fig. 1

Fig. 2

8 ↙



8 ↙

Fig. 3

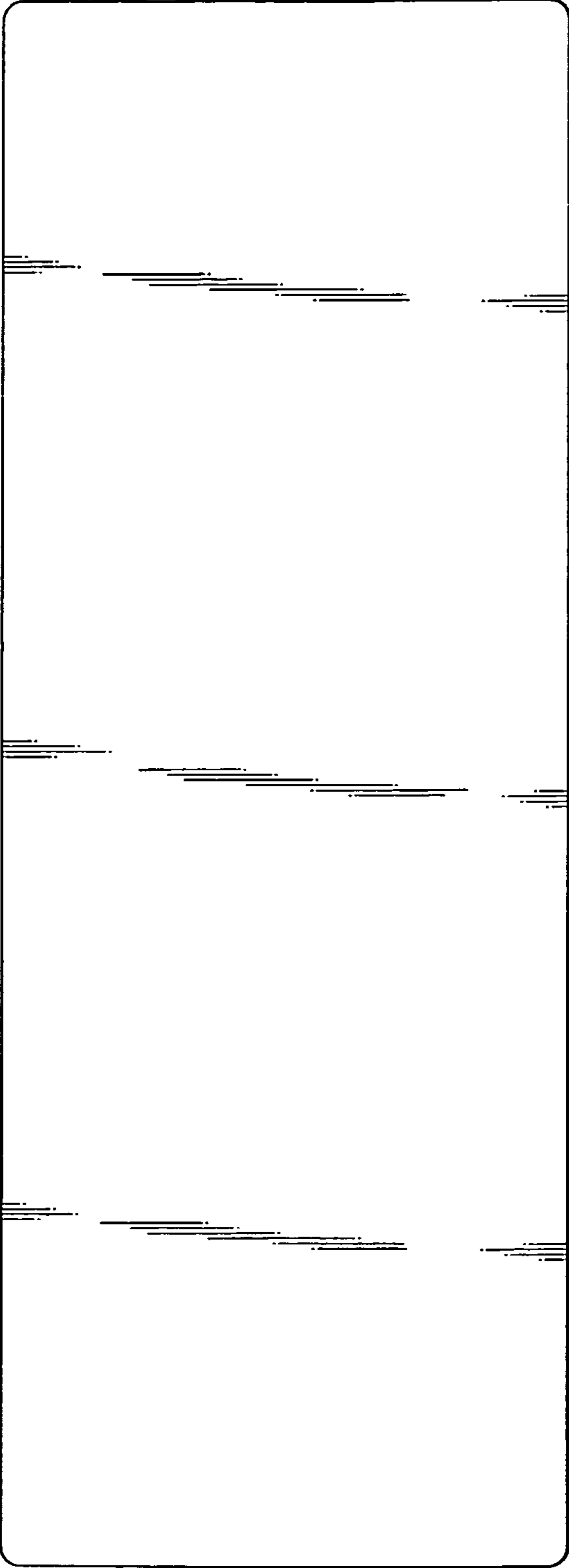


Fig. 4

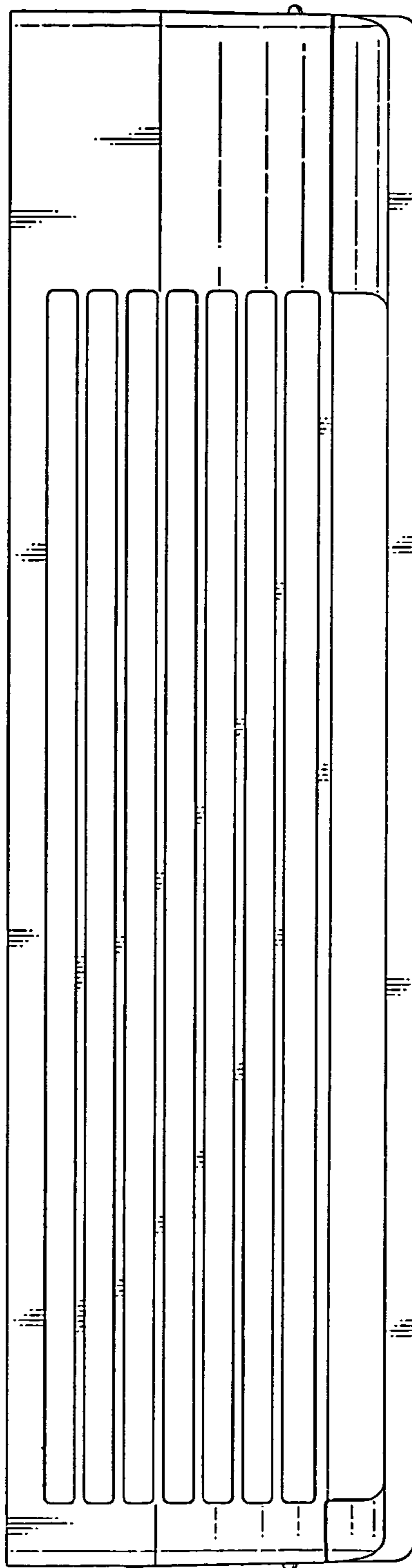


Fig. 5

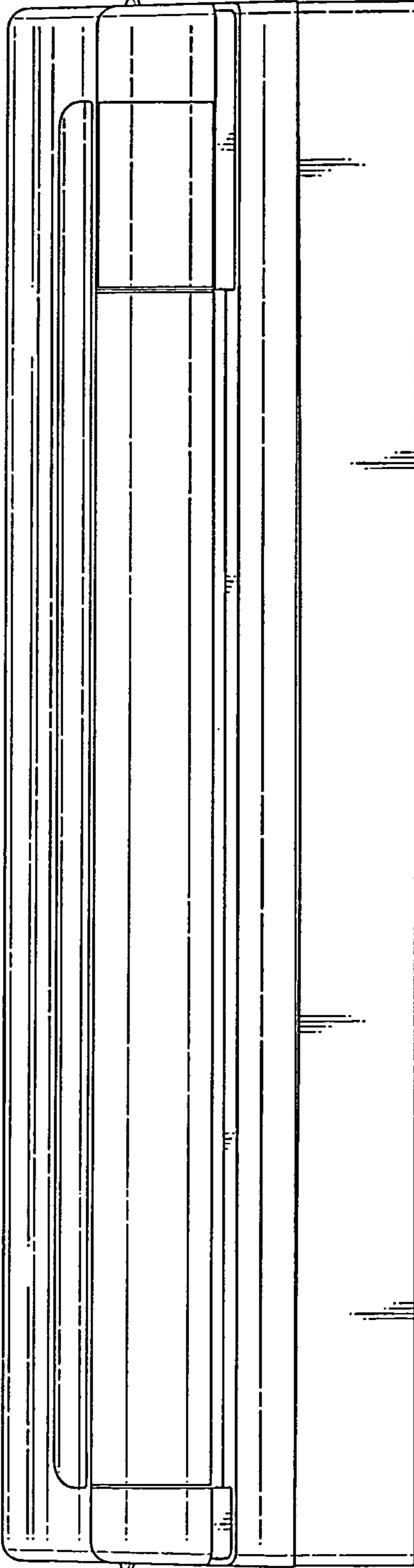


Fig. 7

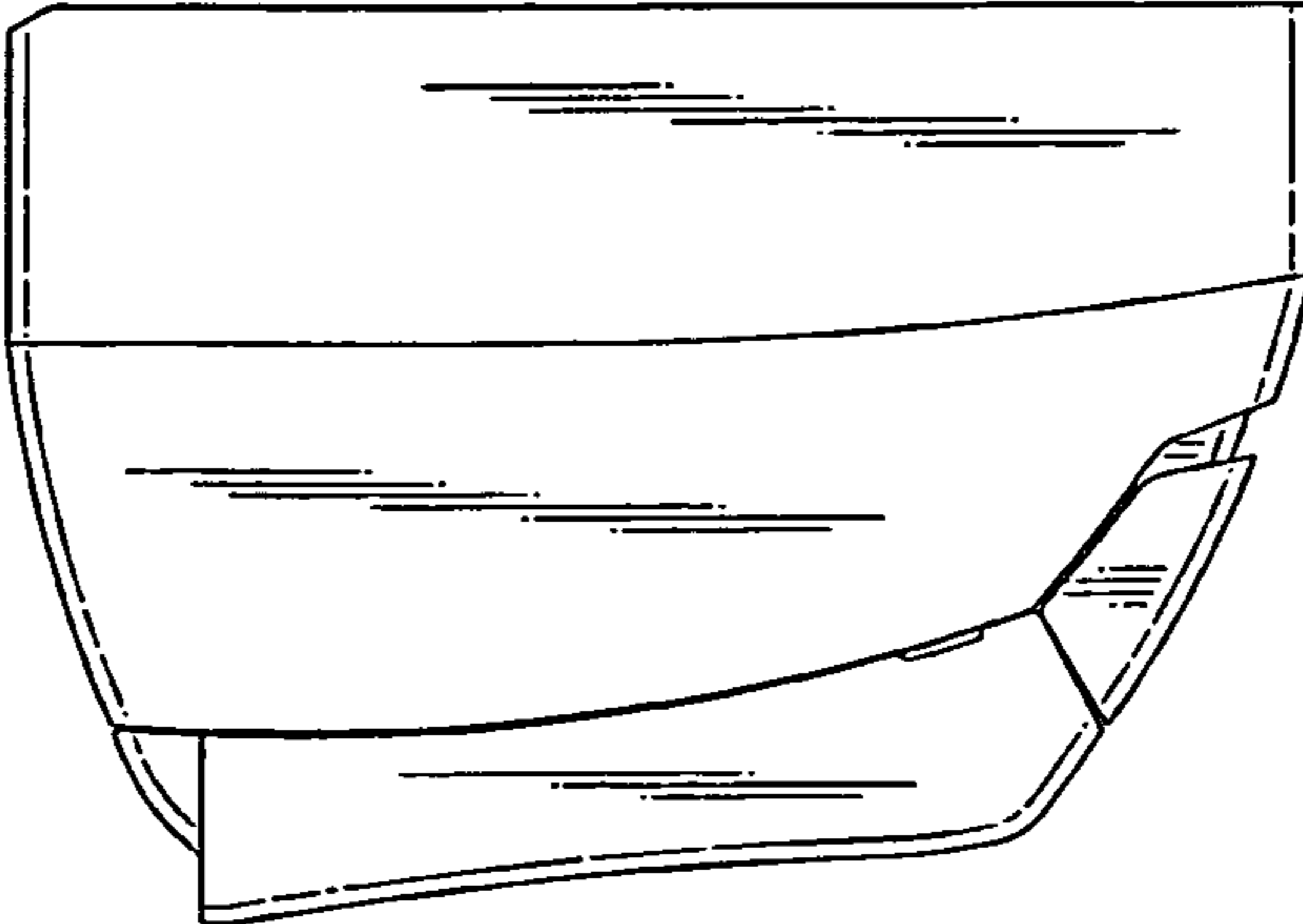


Fig. 6

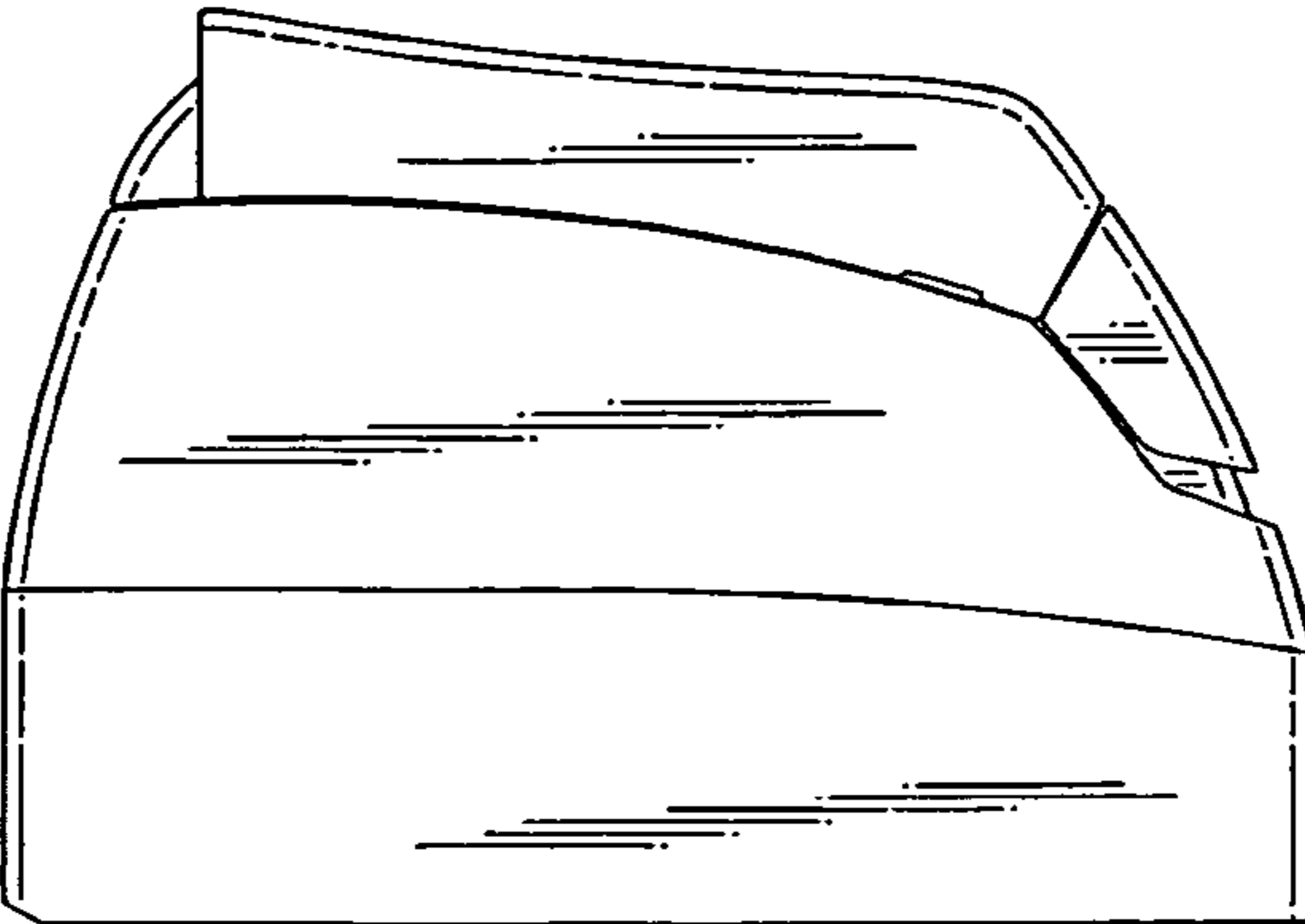


Fig. 8

