



US00D700690S

(12) **United States Design Patent**  
**Chouji et al.**

(10) **Patent No.:** **US D700,690 S**  
(45) **Date of Patent:** **\*\* Mar. 4, 2014**

- (54) **AIR CONDITIONER**
- (71) Applicants: **Masahiko Chouji**, Kusatsu (JP);  
**Takanori Ikegaya**, Kusatsu (JP)
- (72) Inventors: **Masahiko Chouji**, Kusatsu (JP);  
**Takanori Ikegaya**, Kusatsu (JP)
- (73) Assignee: **Daikin Industries Ltd.**, Osaka-shi,  
Osaka-fu (JP)
- (\*\*) Term: **14 Years**
- (21) Appl. No.: **29/463,241**
- (22) Filed: **Sep. 19, 2013**
- (51) **LOC (10) Cl.** ..... **23-04**
- (52) **U.S. Cl.**  
USPC ..... **D23/351**
- (58) **Field of Classification Search**  
USPC ..... D23/351-354, 385, 355, 357, 361;  
312/236; 62/259.1, 259.4, 262-263,  
62/304; 454/330-331, 349-350  
See application file for complete search history.

D632,769 S *	2/2011	Seki .....	D23/351
D641,854 S *	7/2011	Seki et al. ....	D23/351
D642,249 S *	7/2011	Seki .....	D23/351
D642,251 S *	7/2011	Seki .....	D23/351
D667,095 S *	9/2012	Yamana et al. ....	D23/351
D669,567 S *	10/2012	Yamana et al. ....	D23/351
D681,180 S *	4/2013	Chouji .....	D23/351
D683,004 S *	5/2013	Chouji .....	D23/351
D683,832 S *	6/2013	Satou .....	D23/351
D683,833 S *	6/2013	Chouji et al. ....	D23/351
D685,895 S *	7/2013	Huang .....	D23/351
D688,780 S *	8/2013	Nakai et al. ....	D23/351
D689,179 S *	9/2013	Nishiguchi .....	D23/351
D690,801 S *	10/2013	Nakai et al. ....	D23/351

\* cited by examiner

*Primary Examiner* — Brian N Vinson  
(74) *Attorney, Agent, or Firm* — Manabu Kanesaka

(57) **CLAIM**  
The ornamental design for an air conditioner, as shown and described.

**DESCRIPTION**

FIG. 1 is a perspective view of an air conditioner showing our new design;  
FIG. 2 is a front view thereof;  
FIG. 3 is a rear view thereof;  
FIG. 4 is a plan view thereof;  
FIG. 5 is a bottom view thereof;  
FIG. 6 is a left side view thereof;  
FIG. 7 is a right side view thereof; and,  
FIG. 8 is a cross-sectional view thereof taken along the line 8-8 in FIG. 2.  
The broken lines depict portions of the air conditioner that form no part of claimed design.

**1 Claim, 7 Drawing Sheets**

- (56) **References Cited**  
U.S. PATENT DOCUMENTS
- |              |         |                      |         |
|--------------|---------|----------------------|---------|
| D553,722 S * | 10/2007 | Seki et al. ....     | D23/351 |
| D558,866 S * | 1/2008  | Yamamoto .....       | D23/351 |
| D565,158 S * | 3/2008  | Nagahori .....       | D23/351 |
| D579,095 S * | 10/2008 | Nagahori et al. .... | D23/351 |
| D581,504 S * | 11/2008 | Nakamura et al. .... | D23/351 |
| D605,267 S * | 12/2009 | Nakamura et al. .... | D23/351 |
| D613,843 S * | 4/2010  | Ohta .....           | D23/351 |
| D621,018 S * | 8/2010  | Nagahori et al. .... | D23/351 |
| D624,167 S * | 9/2010  | Mishiro et al. ....  | D23/351 |
| D624,168 S * | 9/2010  | Aketa et al. ....    | D23/351 |

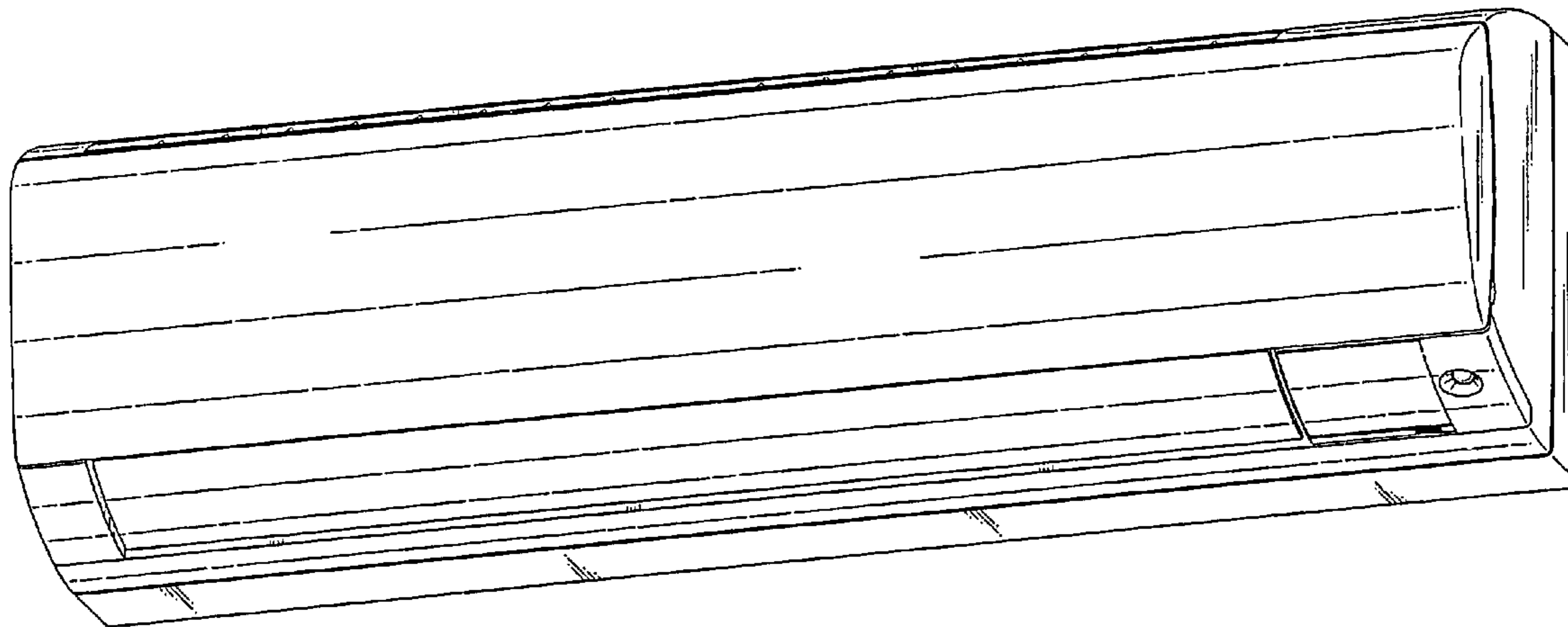


Fig. 1

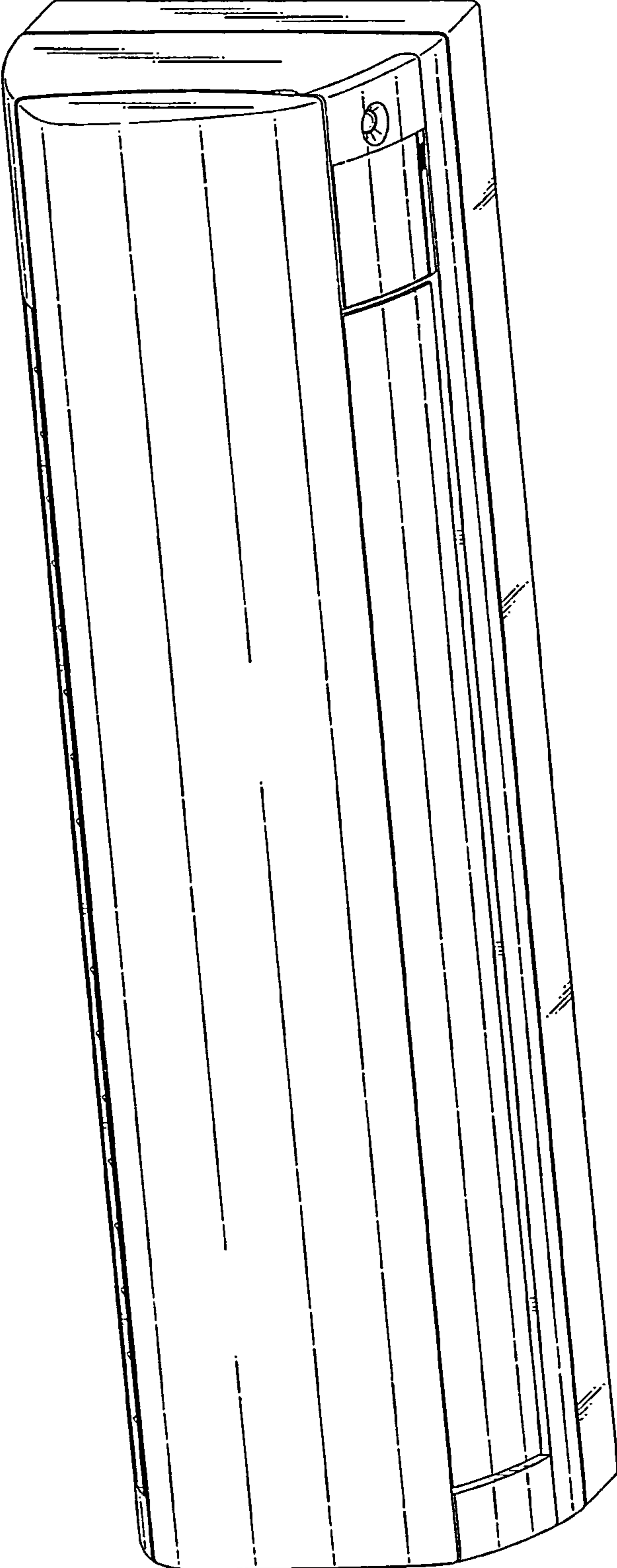


Fig. 2

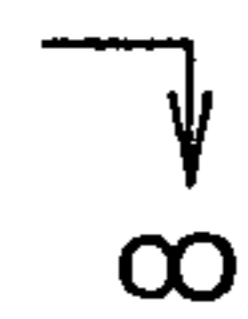
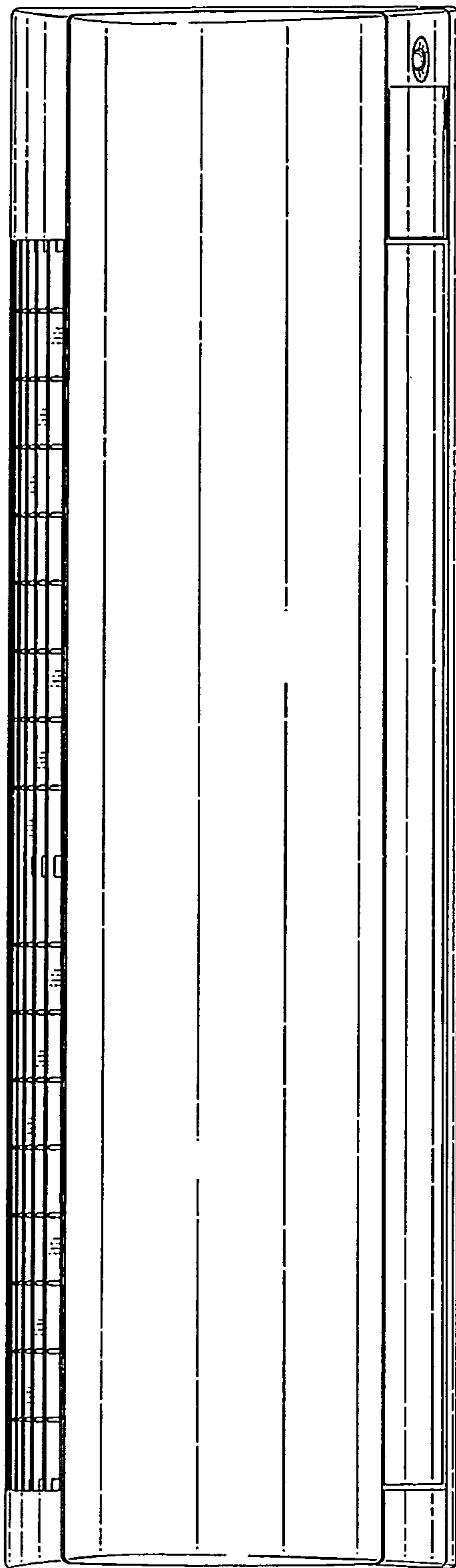
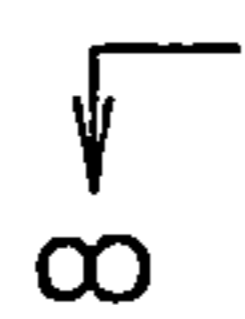


Fig. 3

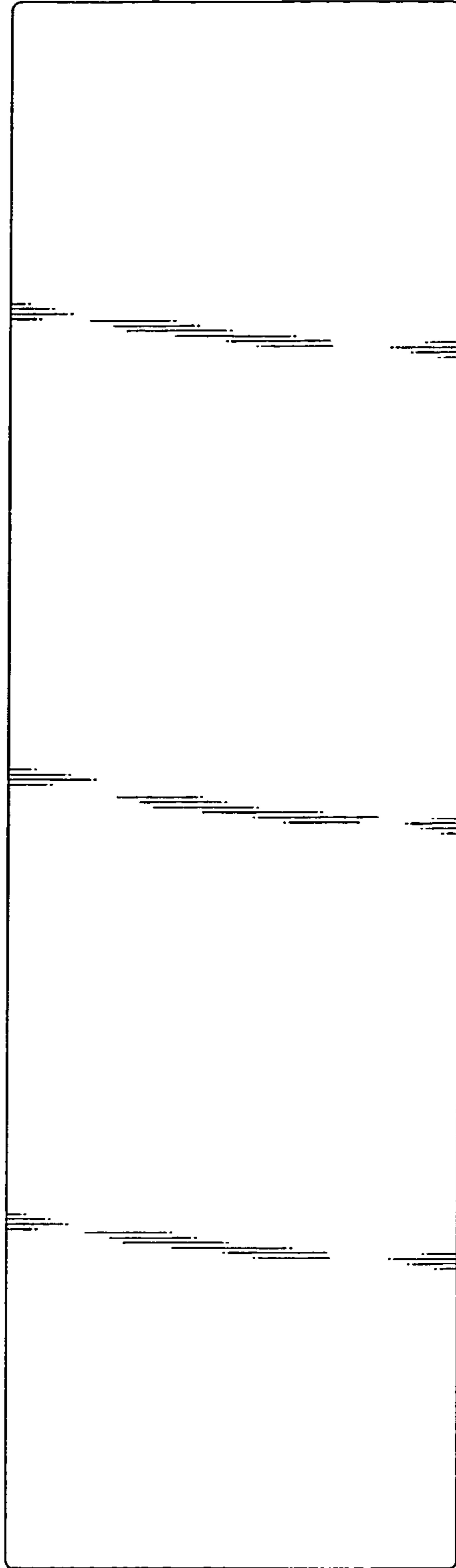


Fig. 4

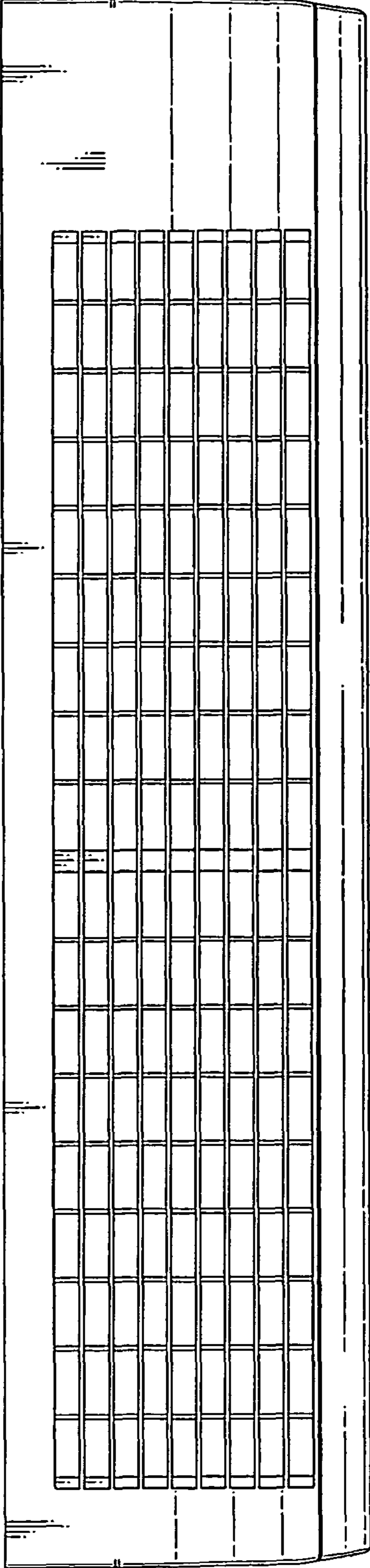


Fig. 5

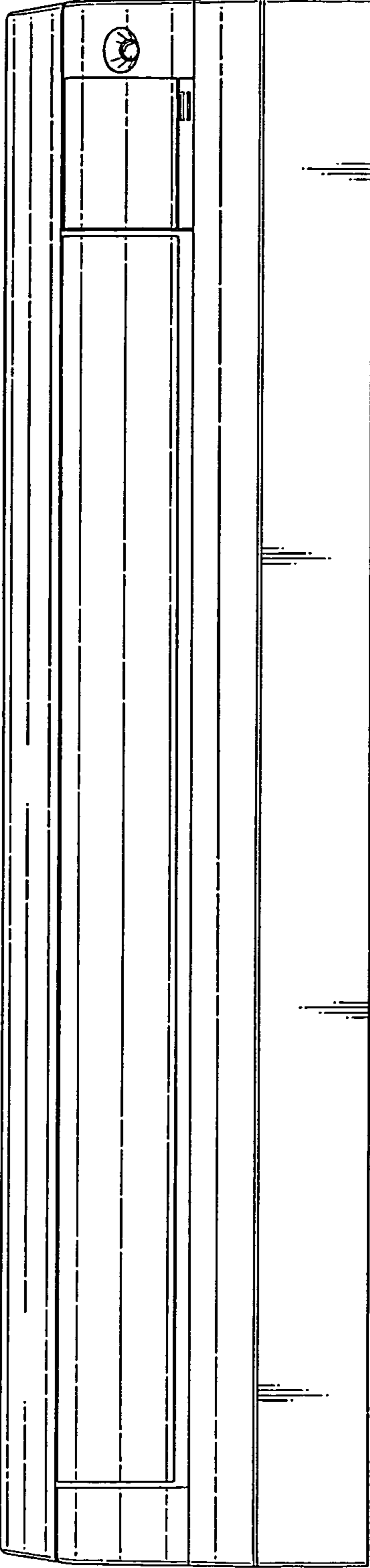


Fig. 7

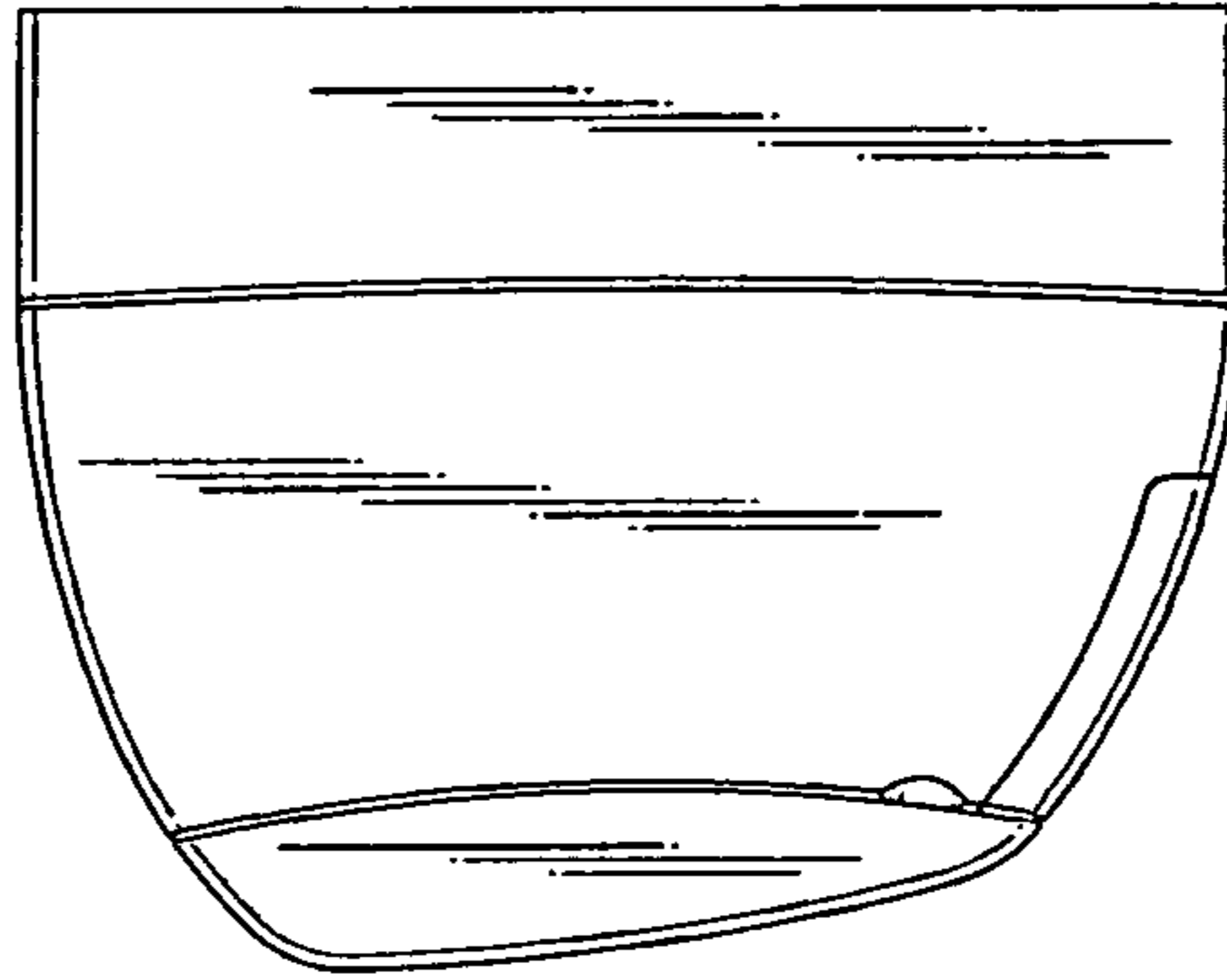


Fig. 6

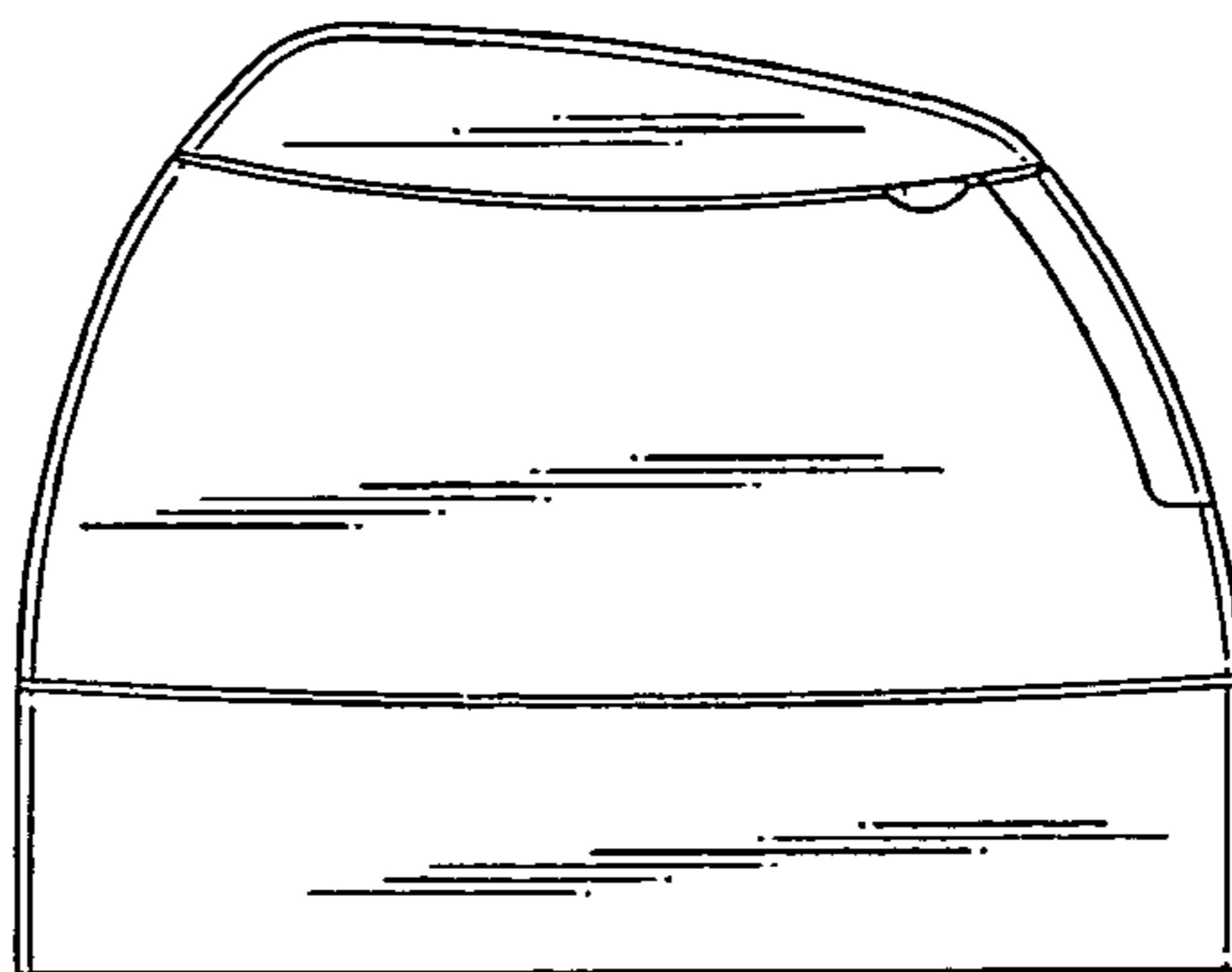




Fig. 8

