



US00D700683S

(12) **United States Design Patent**
Atwell

(10) **Patent No.:** **US D700,683 S**
(45) **Date of Patent:** **** Mar. 4, 2014**

- (54) **PRESSURE REGULATOR**
- (71) Applicant: **Camco Manufacturing, Inc.**,
Greensboro, NC (US)
- (72) Inventor: **Jacob Christopher Atwell**, Greensboro,
NC (US)
- (73) Assignee: **Camco Manufacturing Inc.**,
Greensboro, NC (US)
- (**) Term: **14 Years**
- (21) Appl. No.: **29/442,068**
- (22) Filed: **Nov. 30, 2012**
- (51) **LOC (10) Cl.** **23-01**
- (52) **U.S. Cl.**
USPC **D23/235**
- (58) **Field of Classification Search**
USPC D23/233–237, 244–249; 137/398, 545,
137/547, 549; 251/62, 63.5, 129.01, 129.1,
251/129.16–129.18, 205, 208, 215,
251/309–312, 904
See application file for complete search history.

D633,986 S *	3/2011	Ito et al.	D23/233
D638,915 S *	5/2011	Cardno et al.	D23/233
D639,392 S *	6/2011	Yamada	D23/233
D652,116 S *	1/2012	Fukushima	D23/235
D667,930 S *	9/2012	Yamada	D23/235
D678,981 S *	3/2013	Shengyong	D23/233
D681,171 S *	4/2013	Yamamoto	D23/245
D690,390 S *	9/2013	Garm et al.	D23/233

OTHER PUBLICATIONS

- Ref. No. 1, Valterra A01-1122VP, from Amazon website (www.amazon.com), Nov. 29, 2012, 1 Page.
- Ref. No. 2, Water Pressure Reducing Valve, from Grainger website (www.grainger.com), Nov. 29, 2012, 1 Page.
- Ref. No. 3, Sharkbite Pressure Regulator, from CashAcme website (www.cashacme.com), Nov. 29, 2012, 1 Page.

* cited by examiner

Primary Examiner — Cynthia Ramirez

(57) **CLAIM**

The ornamental design for a pressure regulator, as shown and described.

DESCRIPTION

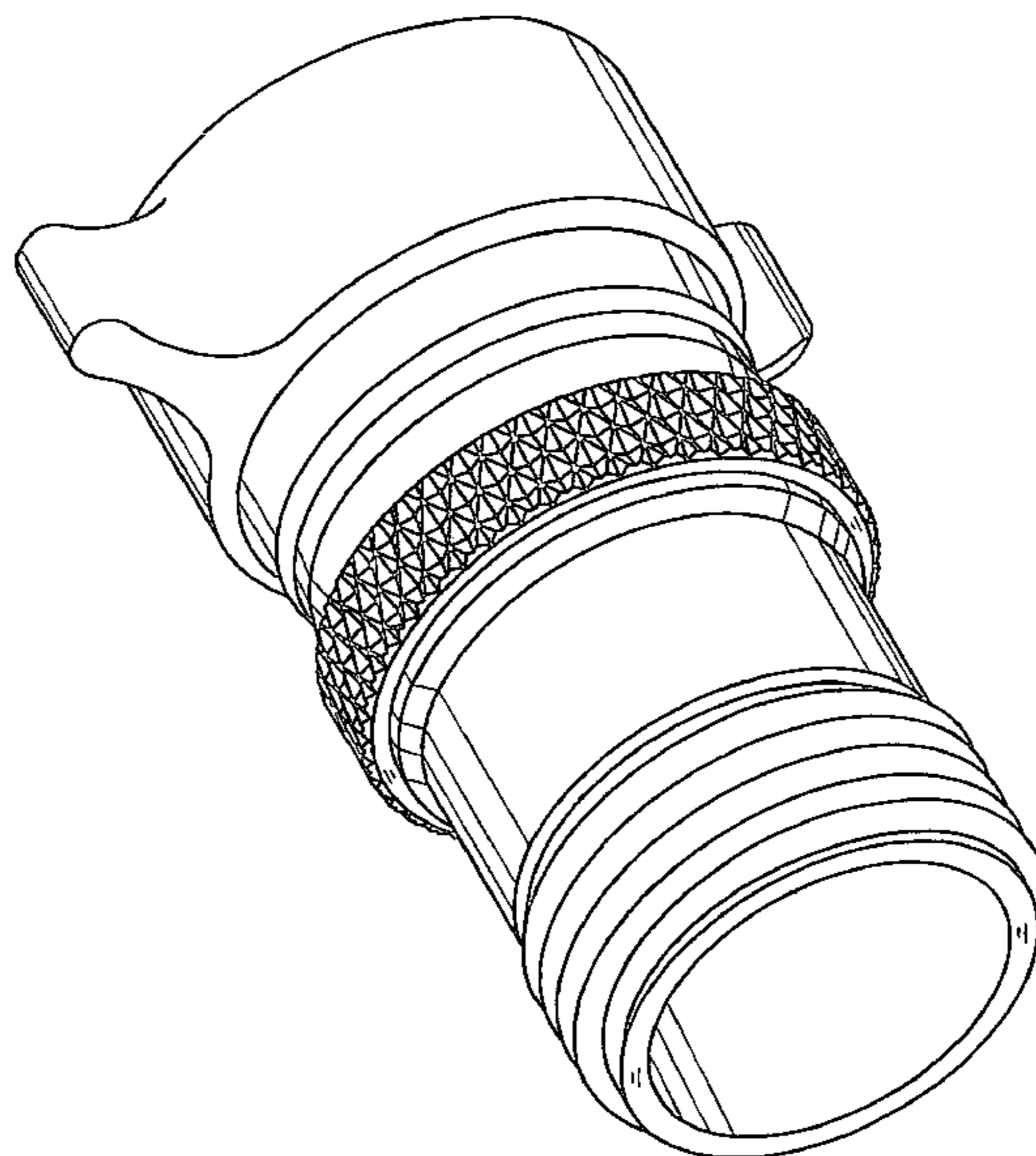
FIG. 1 is a front, bottom left perspective view of a pressure regulator according to the invention;
 FIG. 2 is a front elevational view according to the invention;
 and,
 FIG. 3 is a left elevational view according to the invention;
 and,
 FIG. 4 is a top plan view according to the invention; and,
 FIG. 5 is a bottom plan view according to the invention; and,
 FIG. 6 is a back, top left perspective view according to the invention.
 The broken lines in FIG. 4 and FIG. 5 are included for illustrative purposes only and form no part of the claimed design.

1 Claim, 5 Drawing Sheets

(56) **References Cited**

U.S. PATENT DOCUMENTS

D181,038 S *	9/1957	Britton	D23/235
D297,256 S *	8/1988	Schwarz	D23/233
D301,917 S *	6/1989	Ogasawara et al.	D23/235
D412,738 S *	8/1999	Kuwabara	D23/233
D428,113 S *	7/2000	Russo	D23/233
D442,267 S	5/2001	Kouda	
D499,464 S	12/2004	Caine et al.	
D549,118 S	8/2007	Caine et al.	
D570,453 S *	6/2008	Tsai	D23/249
D605,255 S *	12/2009	Lai	D23/233



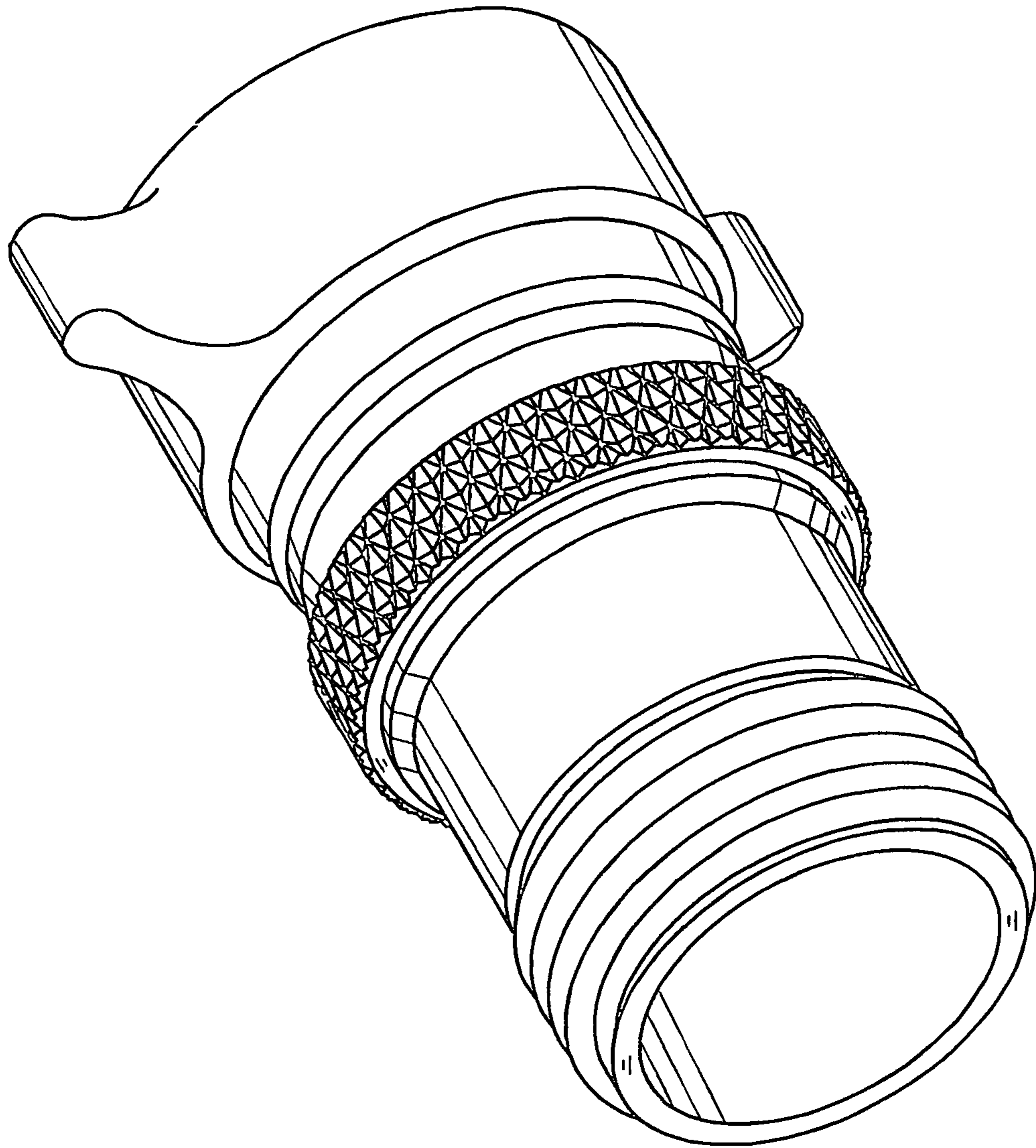


Fig. 1

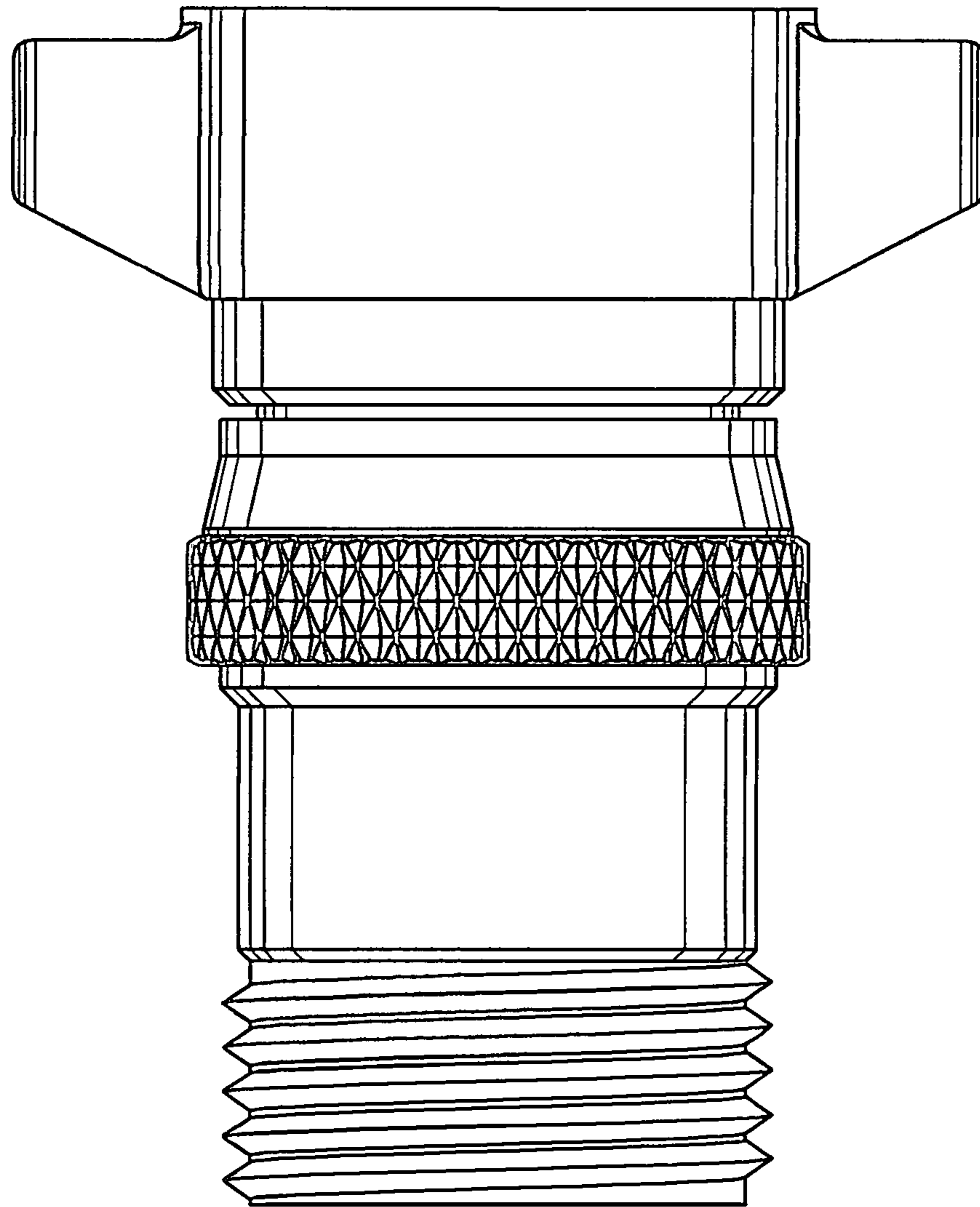


Fig. 2

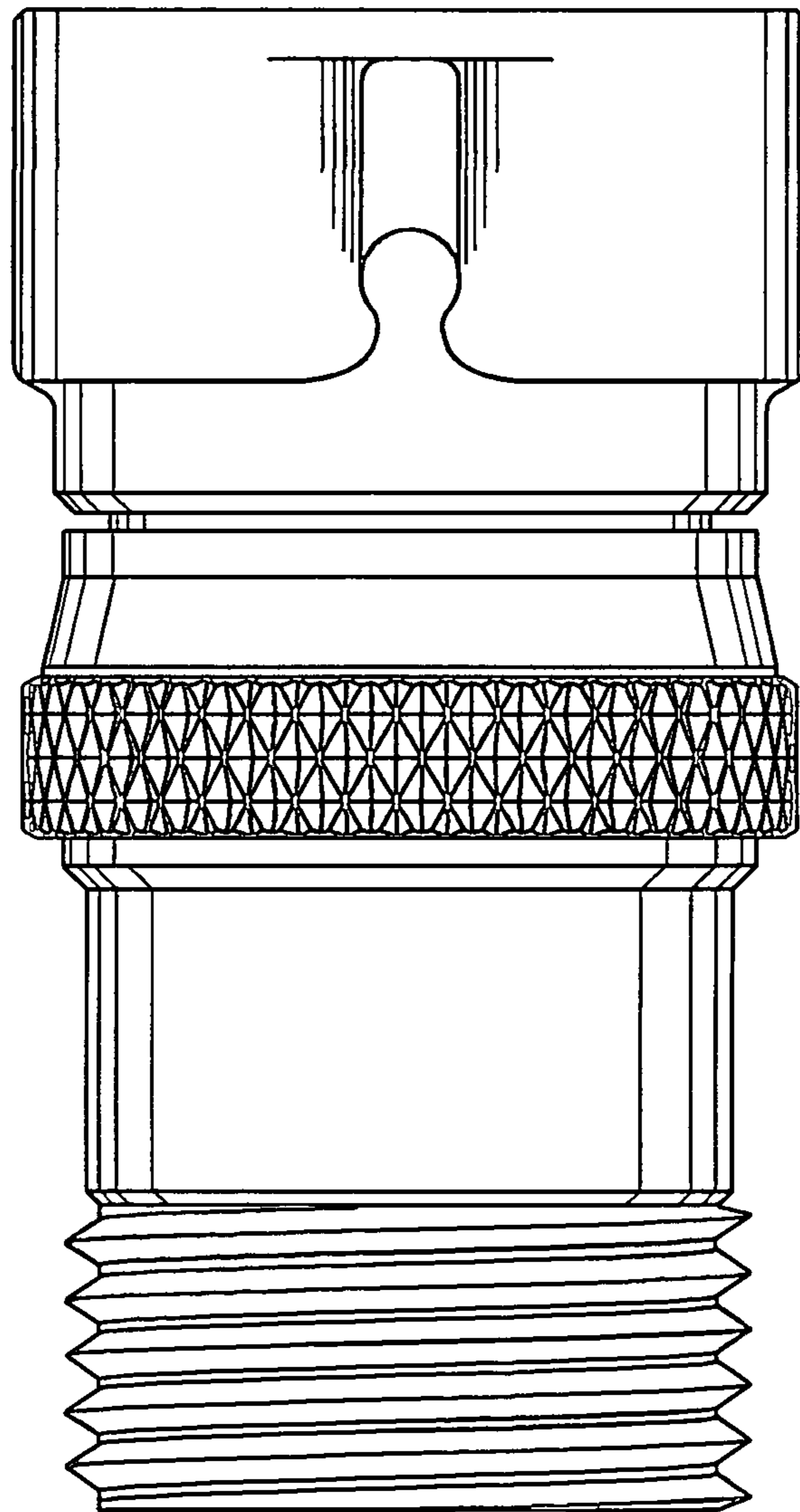


Fig. 3

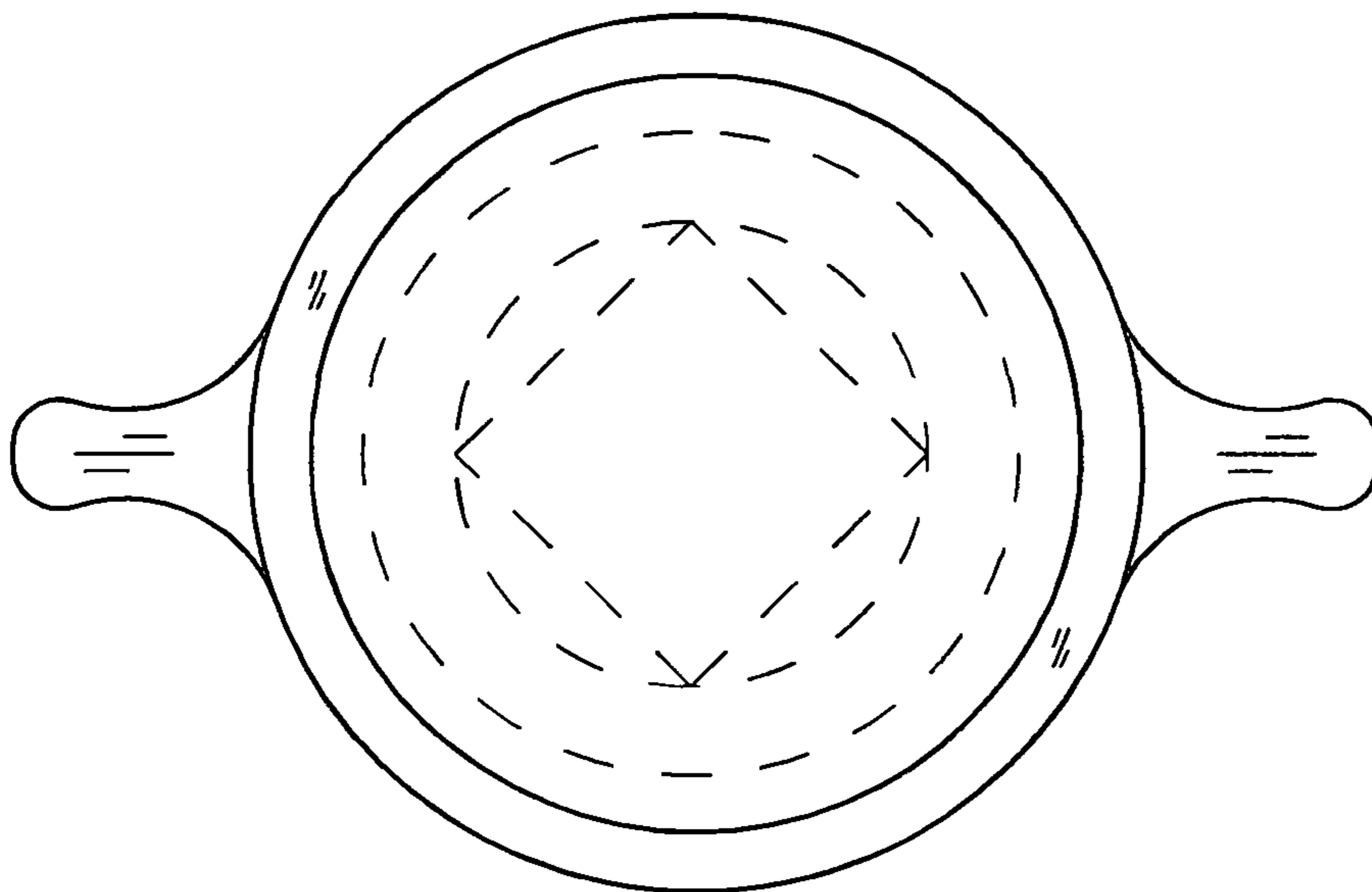


Fig. 4

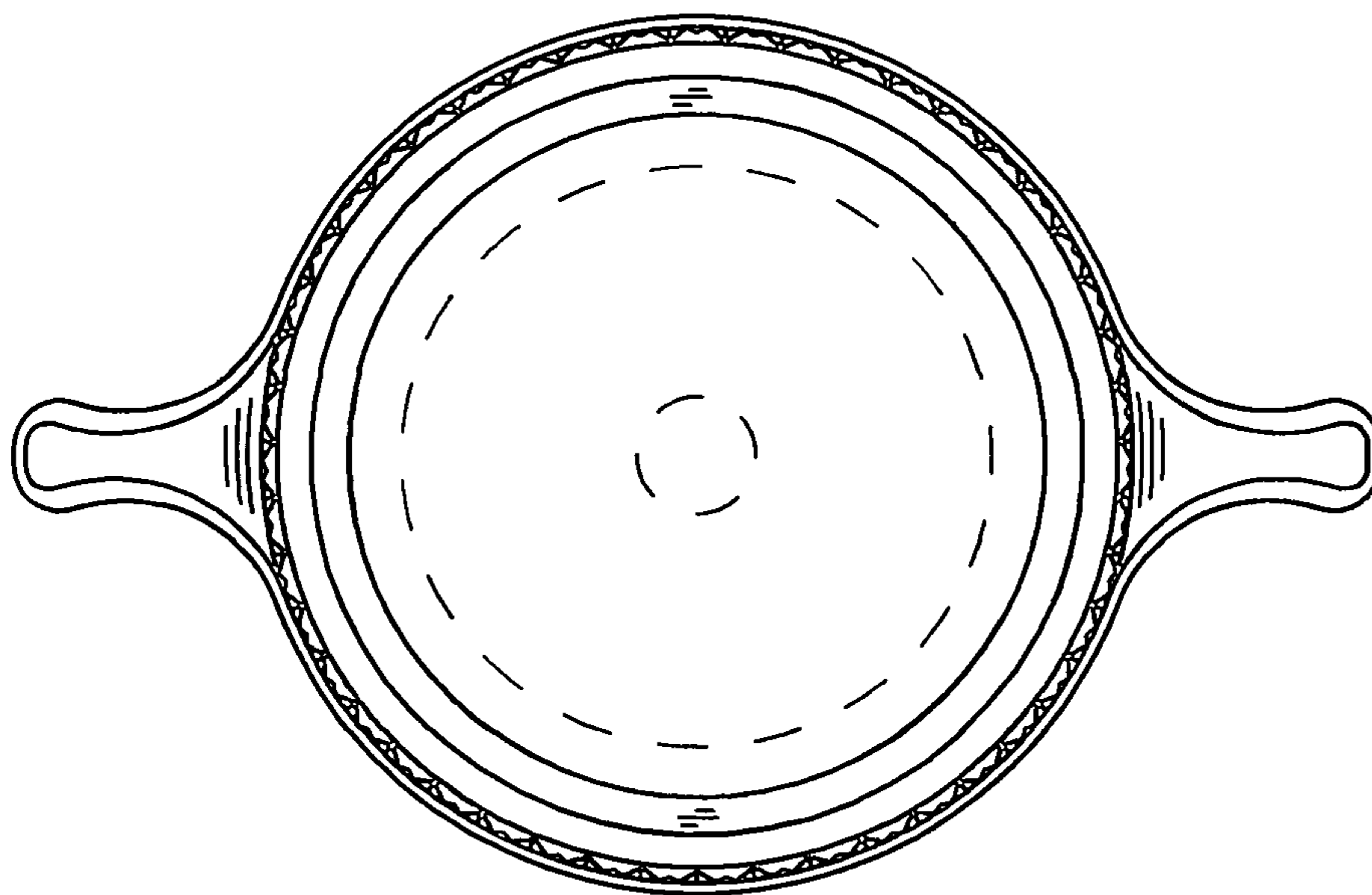


Fig. 5

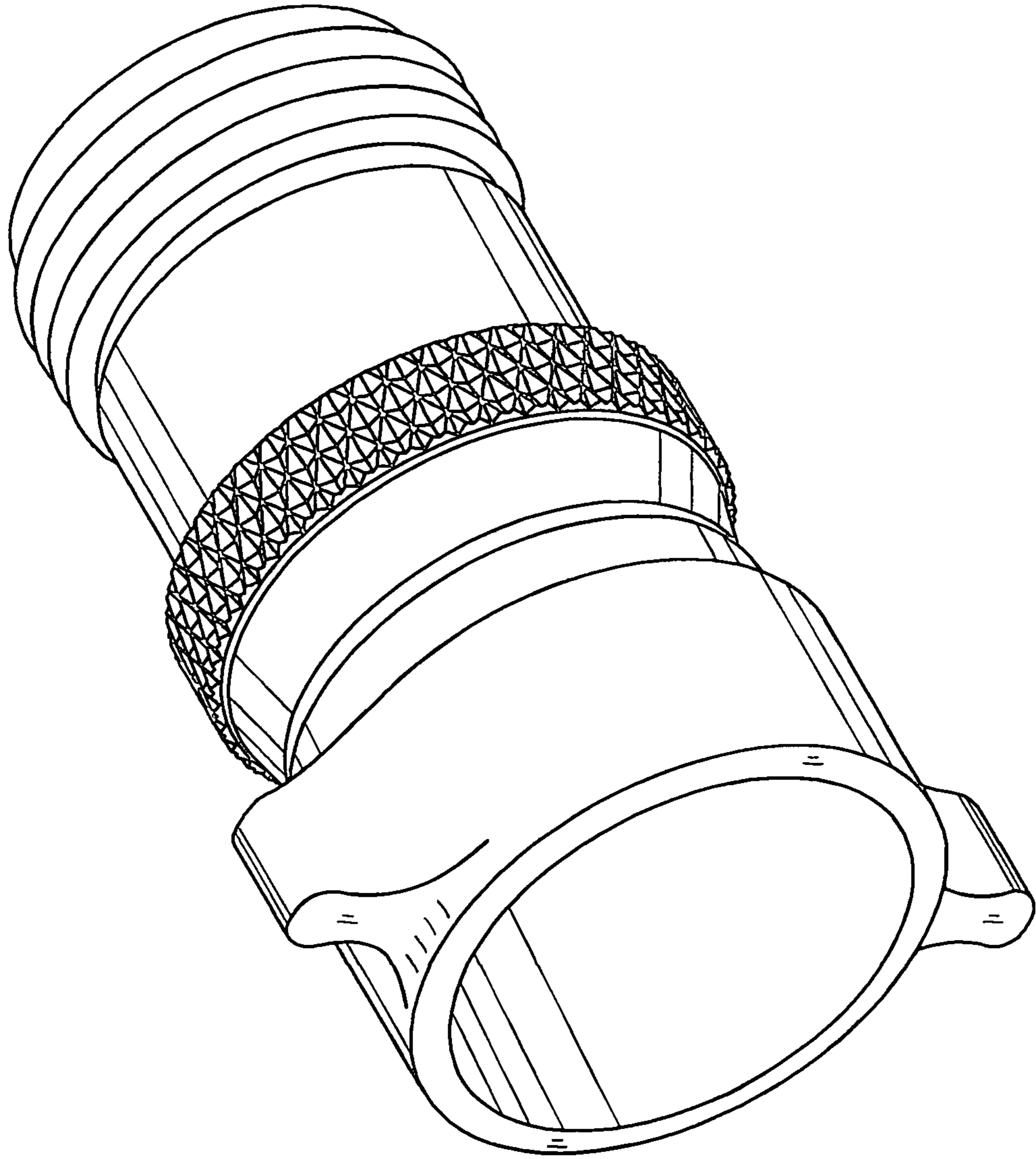


Fig. 6