



US00D700682S

(12) **United States Design Patent**
Bayyouk et al.

(10) **Patent No.:** **US D700,682 S**
(45) **Date of Patent:** **** Mar. 4, 2014**

(54) **VALVE SEAT**

(71) Applicant: **S.P.M. Flow Control, Inc.**, Fort Worth, TX (US)

(72) Inventors: **Jacob A. Bayyouk**, Richardson, TX (US); **Tugrul Comlekci**, Glasgow (GB)

(73) Assignee: **S.P.M. Flow Control, Inc.**, Fort Worth, TX (US)

(**) Term: **14 Years**

(21) Appl. No.: **29/444,103**

(22) Filed: **Jan. 25, 2013**

(51) **LOC (10) Cl.** **23-01**

(52) **U.S. Cl.**
USPC **D23/233**

(58) **Field of Classification Search**
USPC D23/233-237, 244-249; 137/541, 542, 137/516.29; 251/324, 318
See application file for complete search history.

(56) **References Cited**

U.S. PATENT DOCUMENTS

5,816,497	A *	10/1998	Leon et al.	239/76
6,382,940	B1	5/2002	Blume		
6,695,007	B2	2/2004	Vicars		
6,910,871	B1	6/2005	Blume		
7,172,175	B2	2/2007	Vicars		
7,335,002	B2	2/2008	Vicars		
7,341,435	B2	3/2008	Vicars		

D682,989	S *	5/2013	Eagle	D23/233
8,496,224	B1 *	7/2013	Gilstad et al.	251/80
2004/0234404	A1	11/2004	Vicars		
2005/0247353	A1 *	11/2005	Kao	137/625.41

FOREIGN PATENT DOCUMENTS

CA	2116461	11/1994
CN	2690624	Y 4/2005
CN	2898364	Y 5/2007
CN	201225272	Y 4/2009
CN	201284735	Y 8/2009
CN	202326186	U 7/2012
DE	69603178	3/2000

* cited by examiner

Primary Examiner — Cynthia Ramirez

(74) *Attorney, Agent, or Firm* — Haynes and Boone, LLP

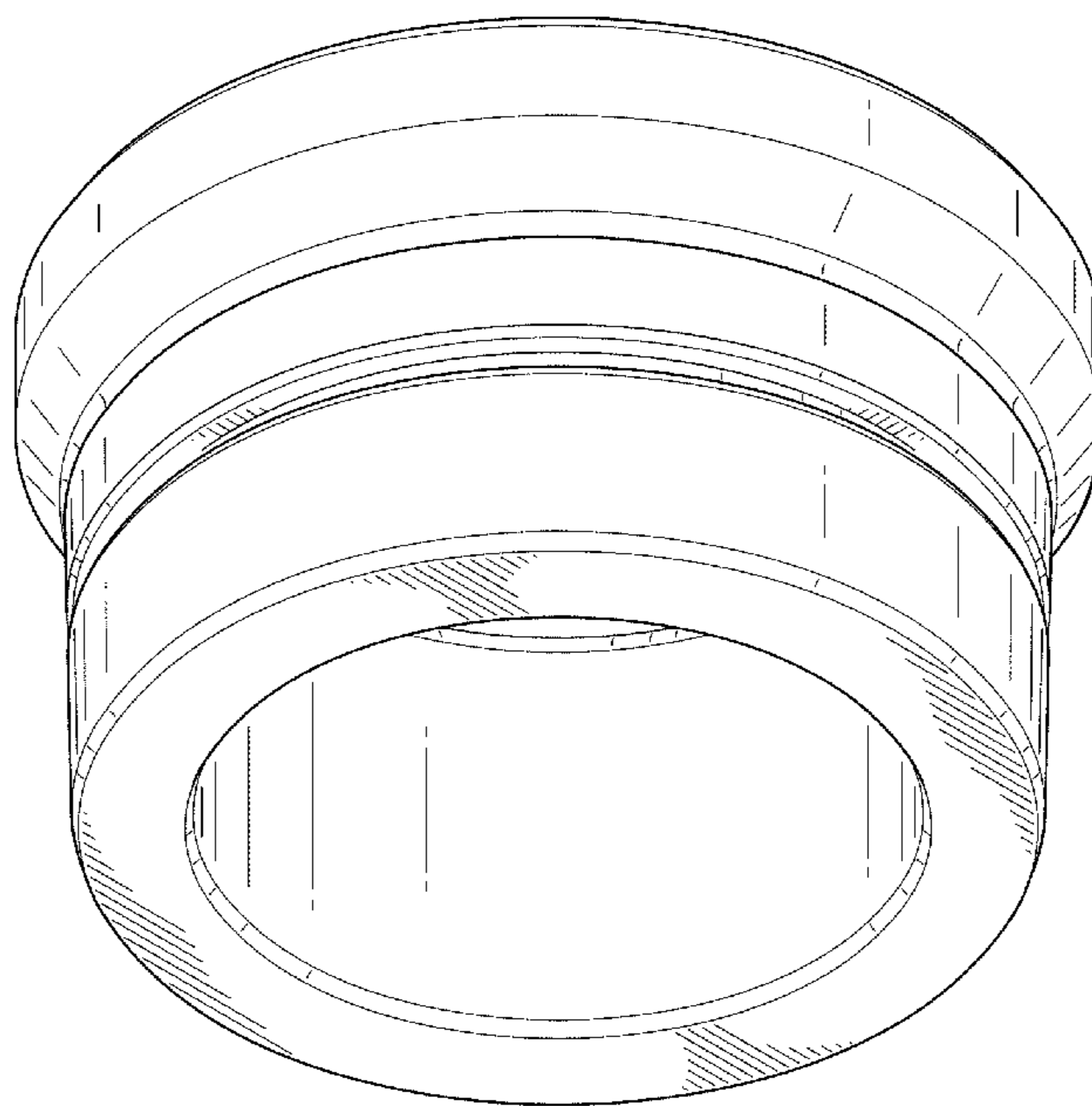
(57) **CLAIM**

The ornamental design for a valve seat, as shown and described.

DESCRIPTION

FIG. 1 is a perspective view of a valve seat showing our new design;
FIG. 2 is a front elevational view thereof, the right side elevational, the left side elevational, and the rear elevational views thereof being the same as the front elevational view thereof;
FIG. 3 is a top plan view thereof;
FIG. 4 is a bottom plan view thereof; and,
FIG. 5 is a sectional view thereof taken along line 5-5 of FIG. 3.

1 Claim, 5 Drawing Sheets



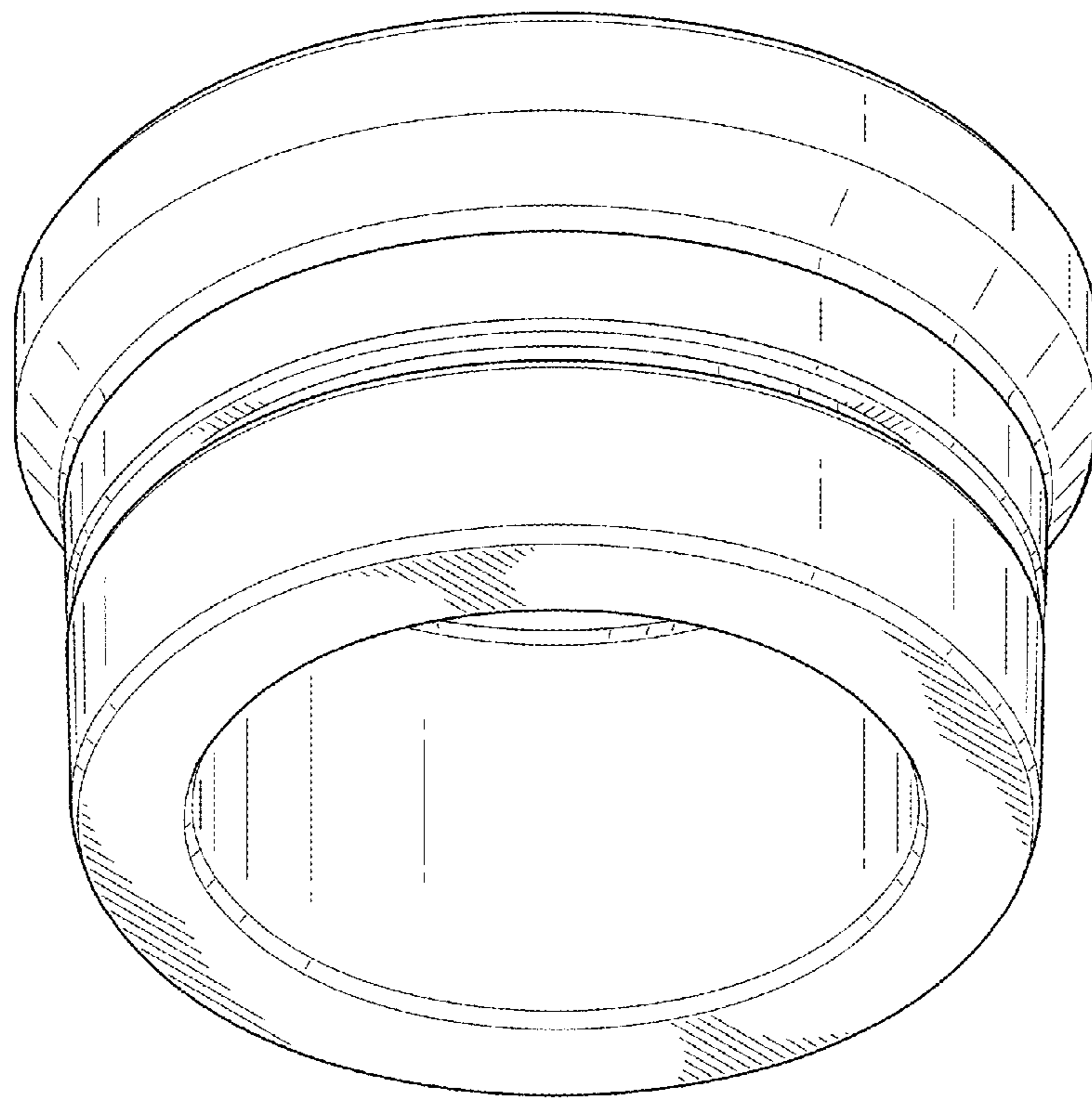


Fig. 1

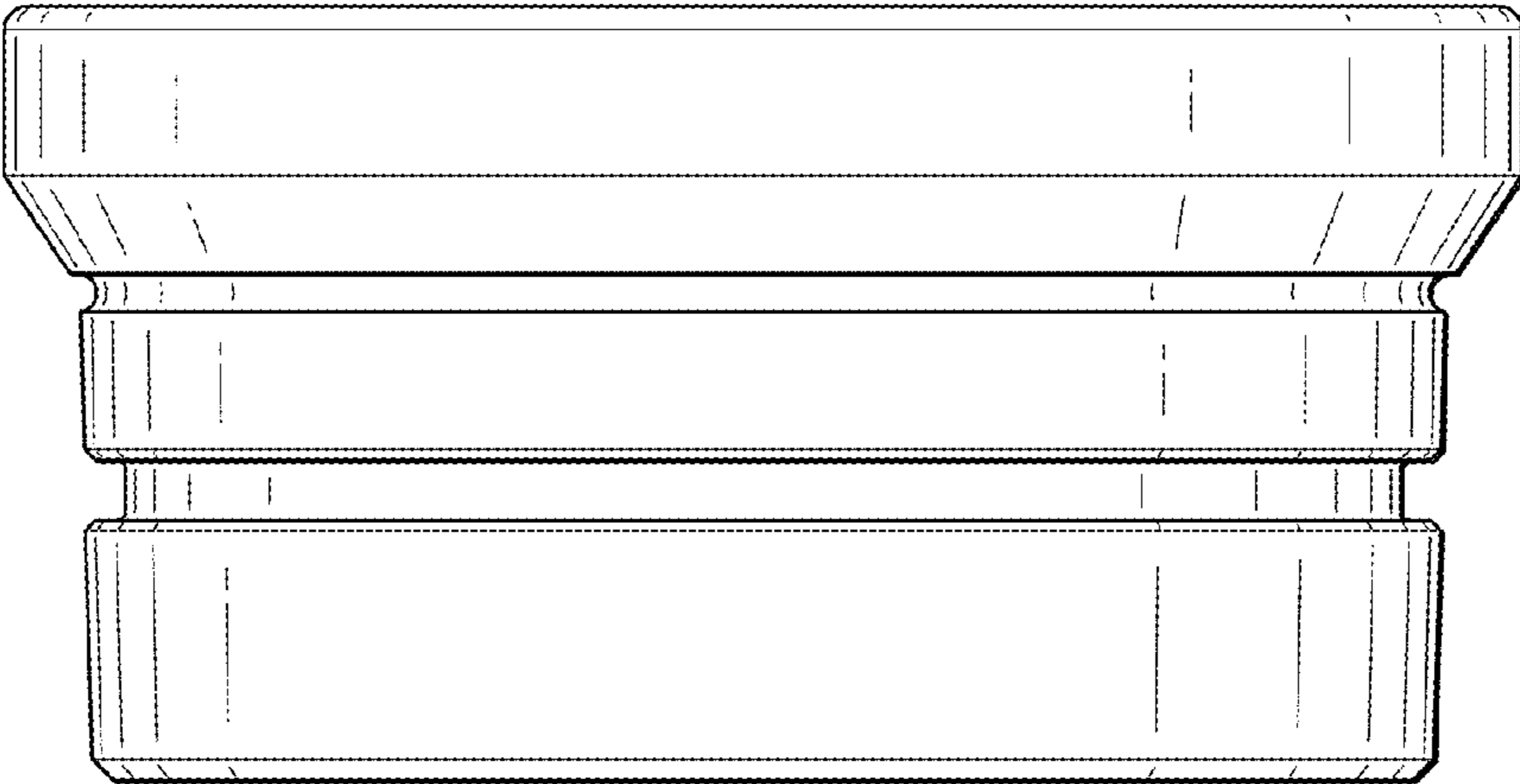


Fig. 2

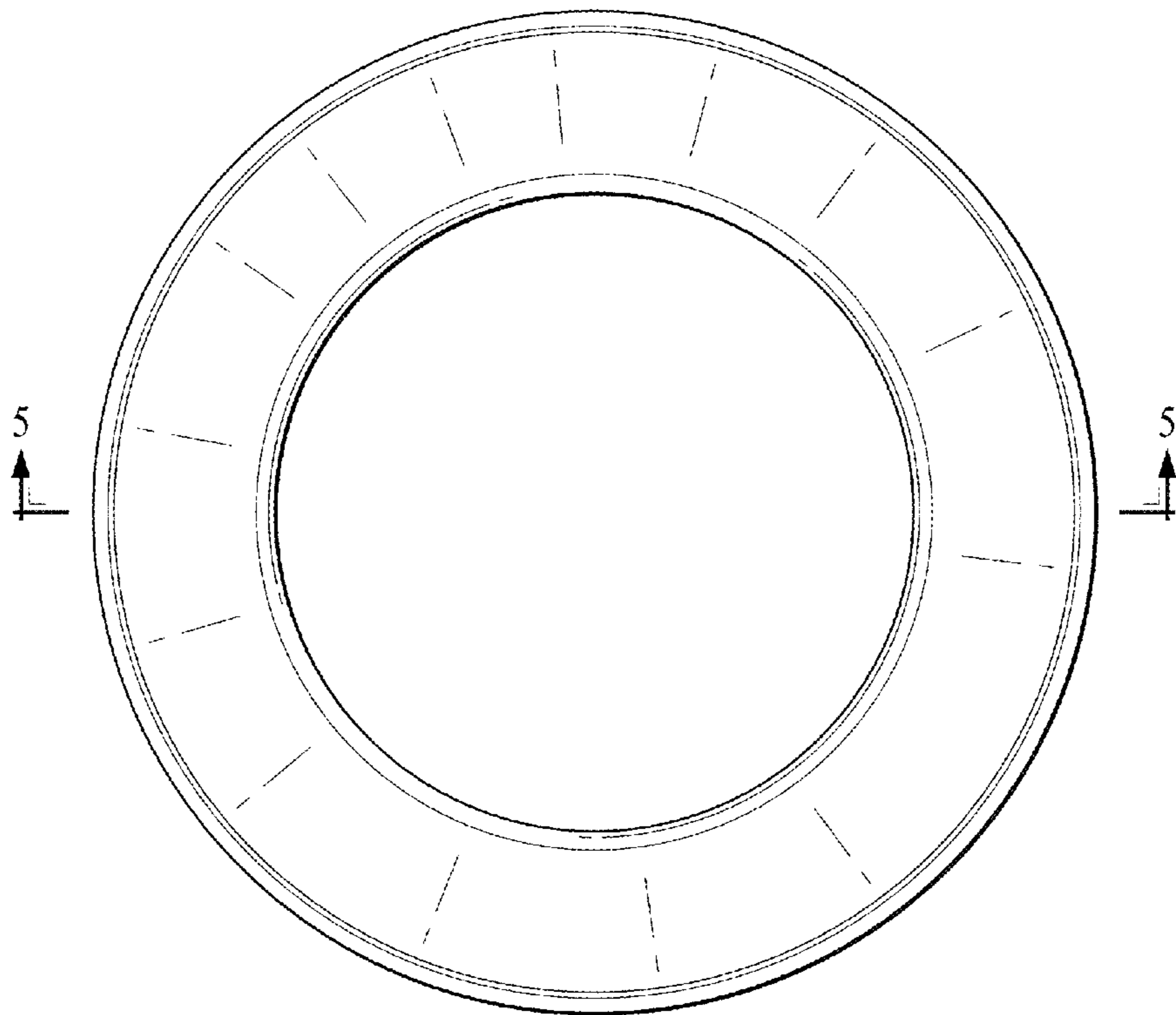


Fig. 3

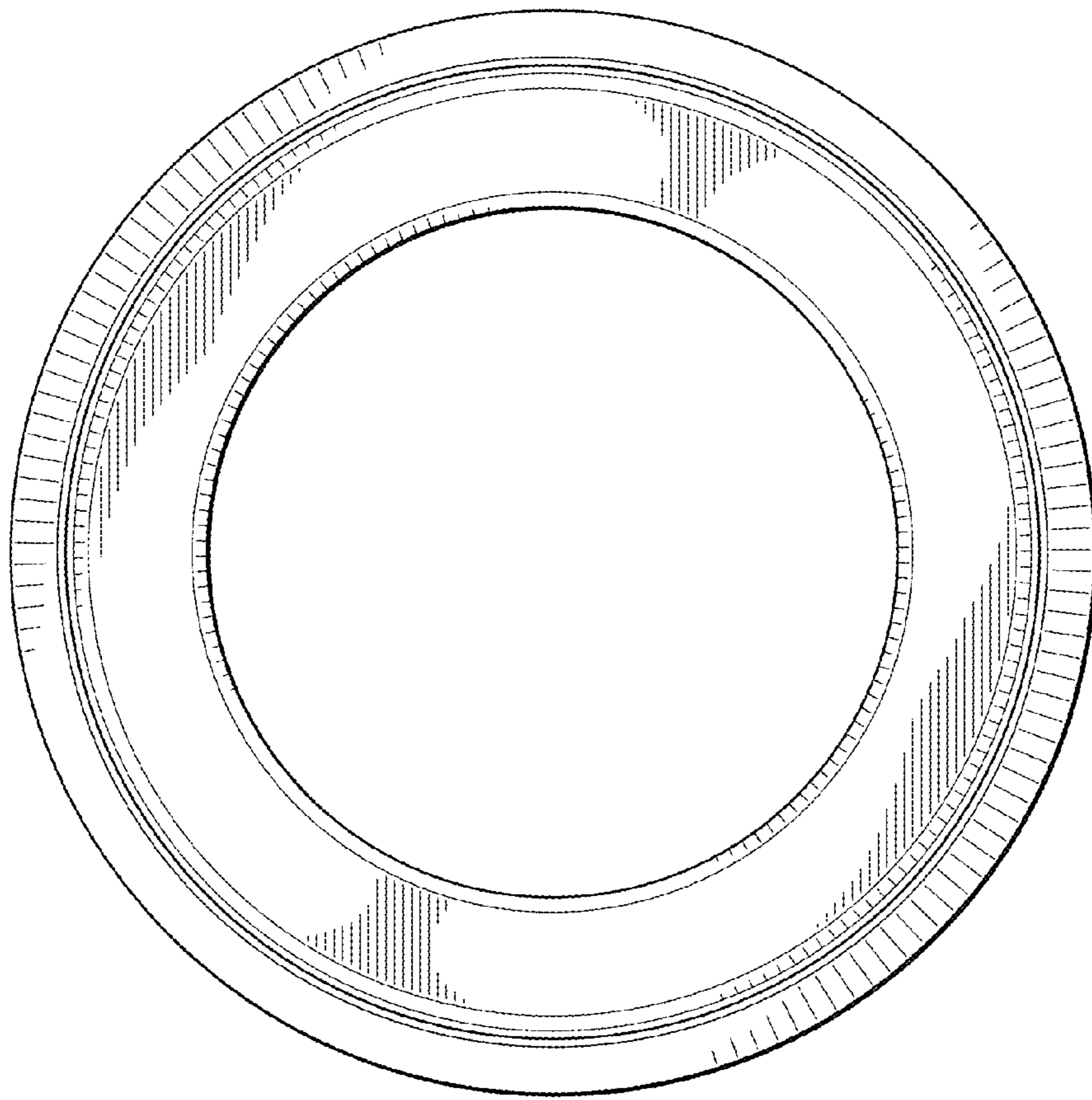


Fig. 4

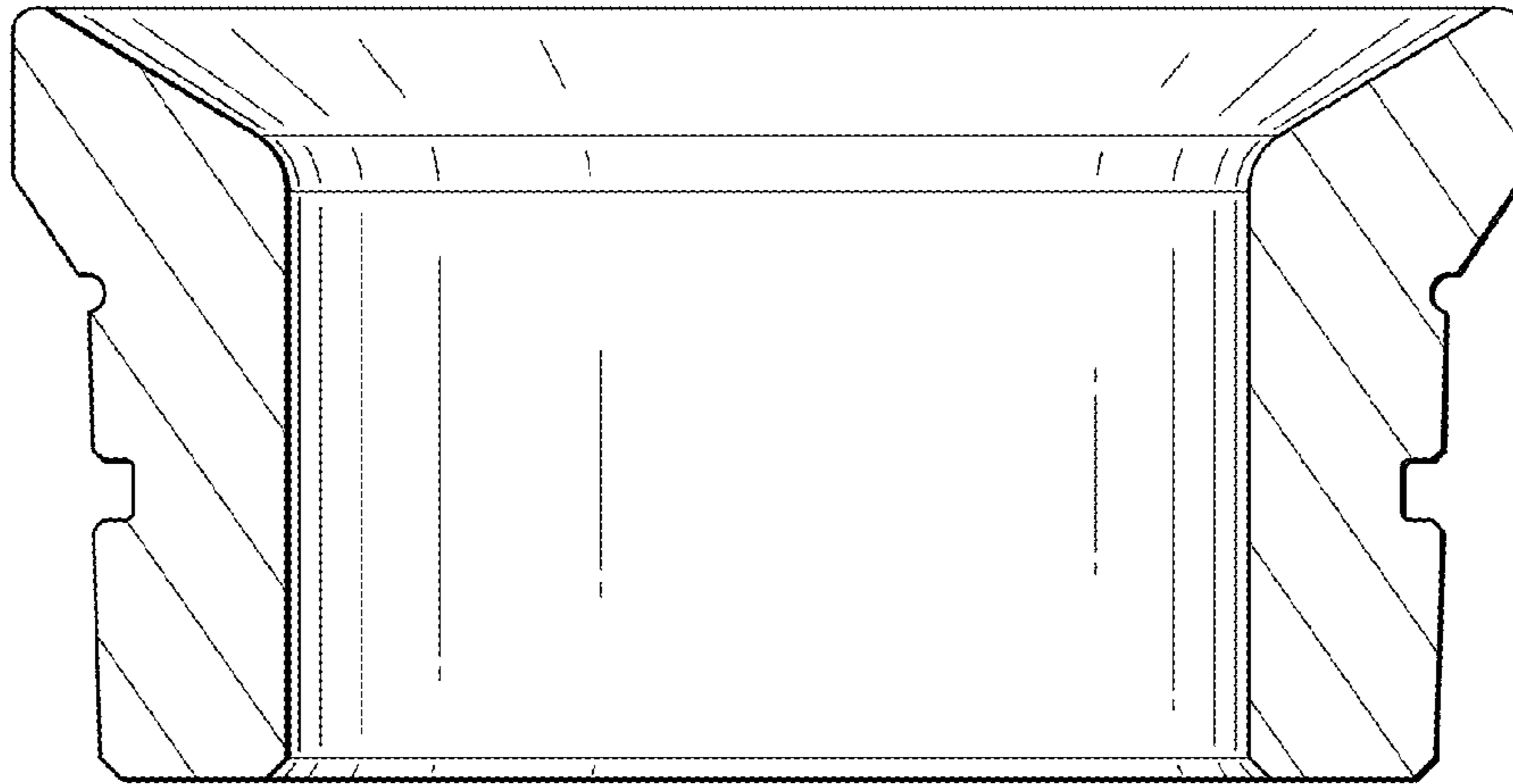


Fig. 5