

US00D700681S

(12) **United States Design Patent**
Horn

(10) **Patent No.:** **US D700,681 S**
(45) **Date of Patent:** **** Mar. 4, 2014**

- (54) **BLOWOUT PREVENTER**
- (71) Applicant: **Horn Equipment Company, Inc.,**
Moore, OK (US)
- (72) Inventor: **Hoby R. Horn,** Moore, OK (US)
- (73) Assignee: **Horn Equipment Company, Inc.,**
Moore, OK (US)
- (**) Term: **14 Years**
- (21) Appl. No.: **29/440,713**
- (22) Filed: **Dec. 26, 2012**
- (51) **LOC (10) Cl.** **23-01**
- (52) **U.S. Cl.**
USPC **D23/233**
- (58) **Field of Classification Search**
USPC D23/233-237, 244-249; 251/143, 148,
251/152, 309; 137/240, 412, 533, 801, 11
See application file for complete search history.

RE42,029 E * 1/2011 Raterman et al. D23/233
 8,162,046 B2 4/2012 Jahnke
 8,167,031 B2 5/2012 Jahnke
 D691,703 S * 10/2013 Iranyi et al. D23/233

* cited by examiner

Primary Examiner — Cynthia Ramirez

(74) *Attorney, Agent, or Firm* — Fellers, Snider,
Blankenship, Bailey & Tippens, P.C.

(57) **CLAIM**

The ornamental design for a blowout preventer, as shown and described.

DESCRIPTION

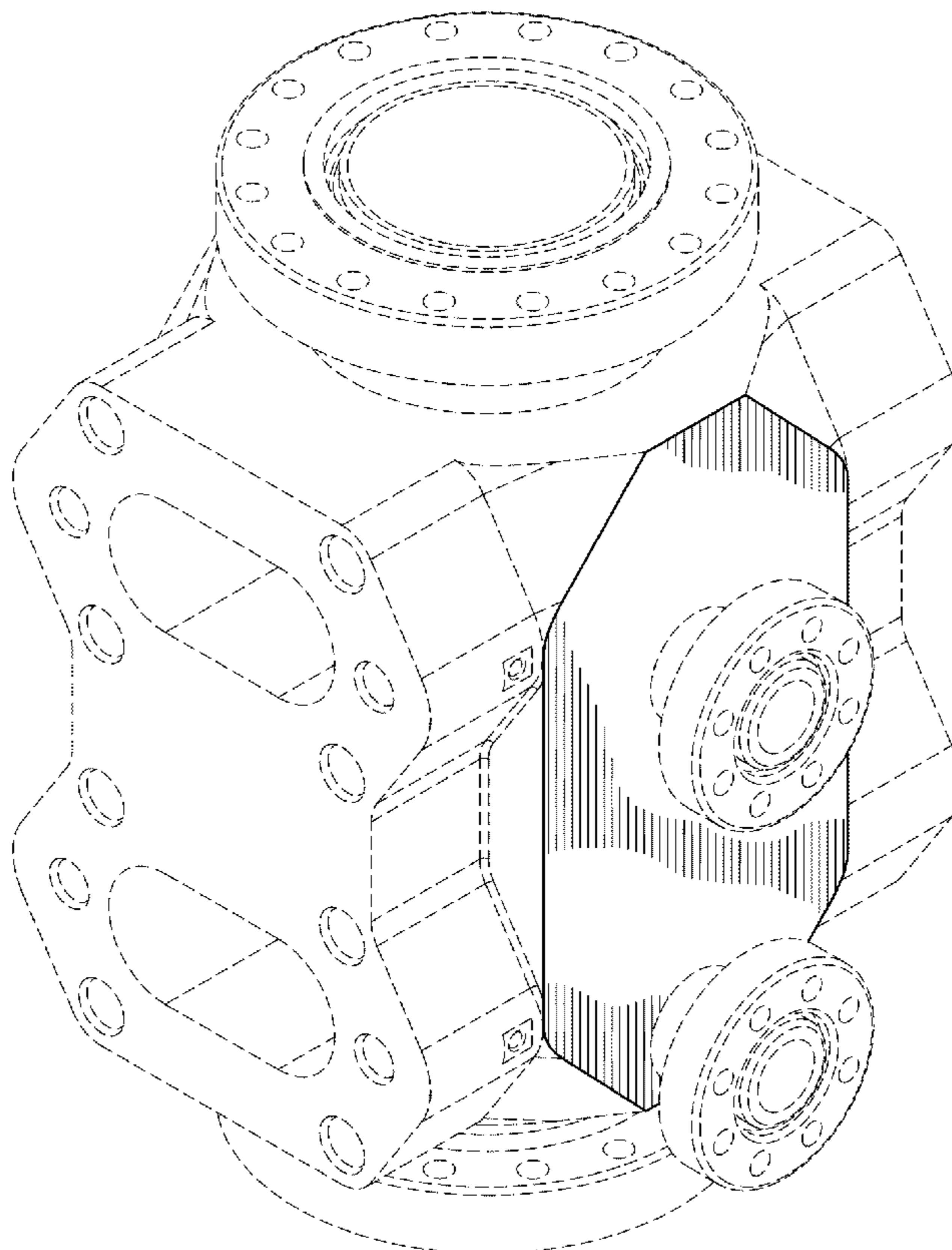
FIG. 1 is a perspective view of the blowout preventer showing my design;
 FIG. 2 is a right side view thereof;
 FIG. 3 is a left side view thereof;
 FIG. 4 is a front view thereof;
 FIG. 5 is a rear view thereof;
 FIG. 6 is a top view thereof; and,
 FIG. 7 is a bottom view thereof.
 The broken lines in the figures are for the purpose of illustrating the environment in which the design is associated and form no part of the claimed design.

(56) **References Cited**

U.S. PATENT DOCUMENTS

D521,537 S 5/2006 Janke et al.
 D536,421 S * 2/2007 Raterman et al. D23/233
 D603,937 S * 11/2009 Tejamo D23/233

1 Claim, 4 Drawing Sheets



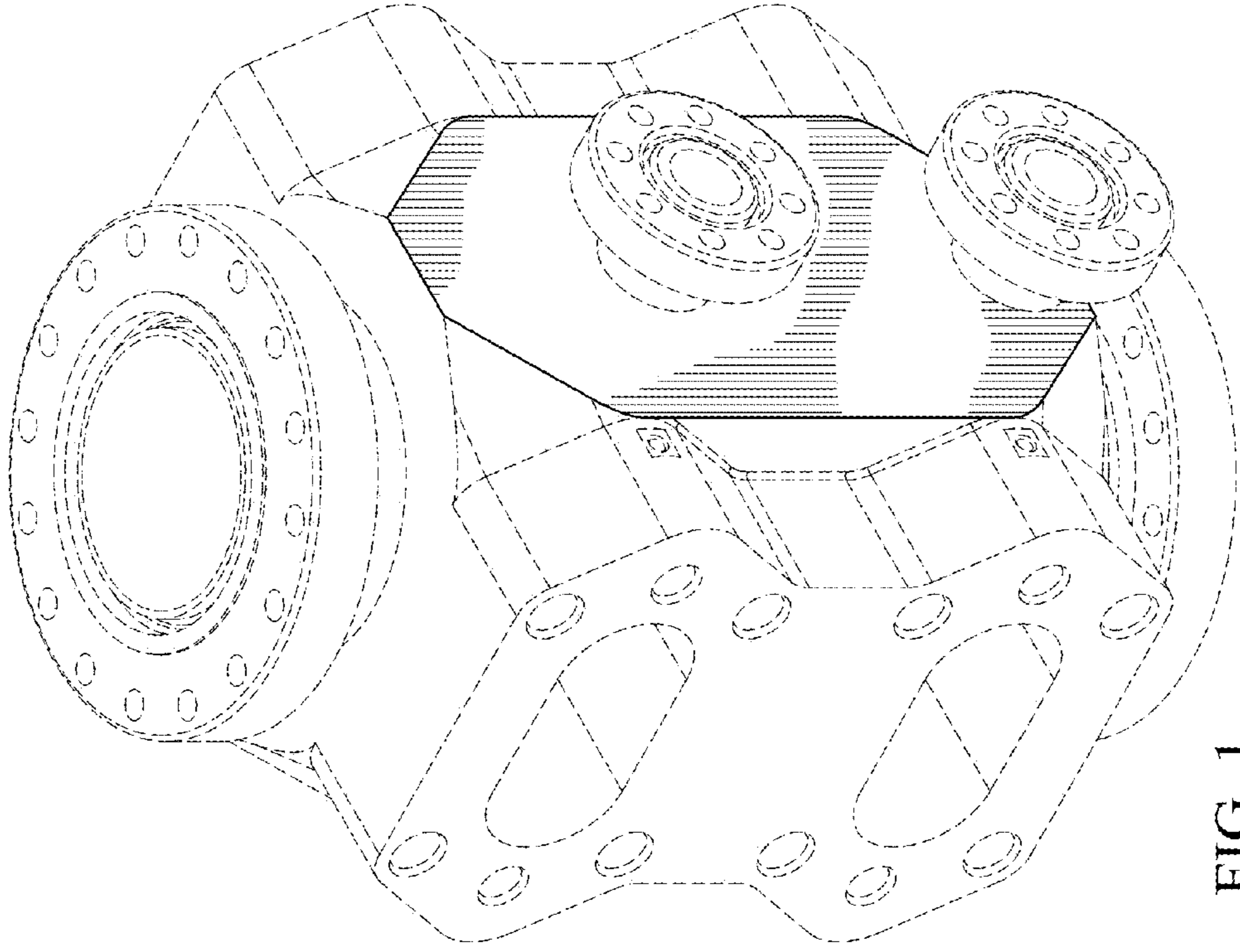


FIG. 1

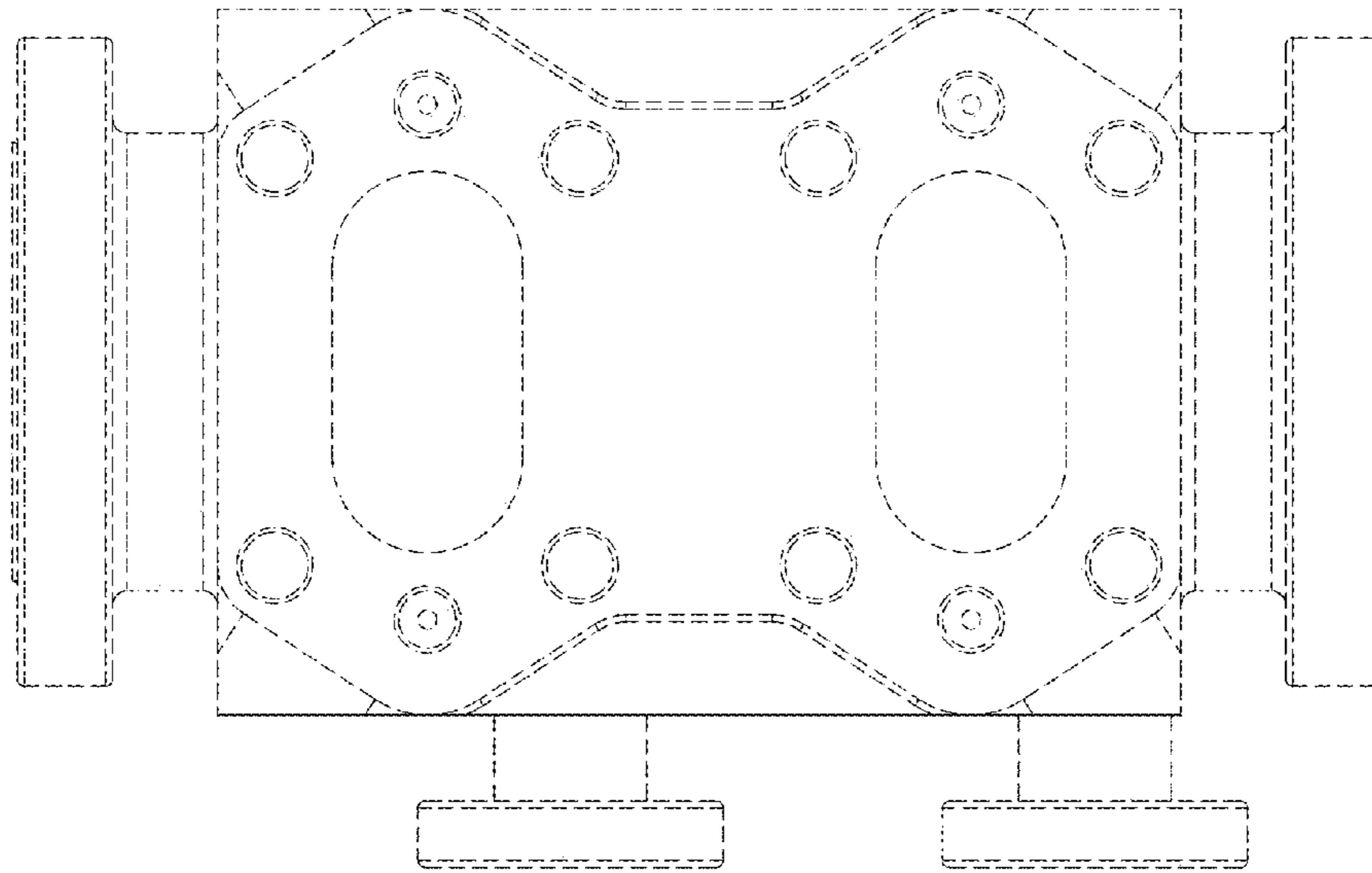


FIG. 3

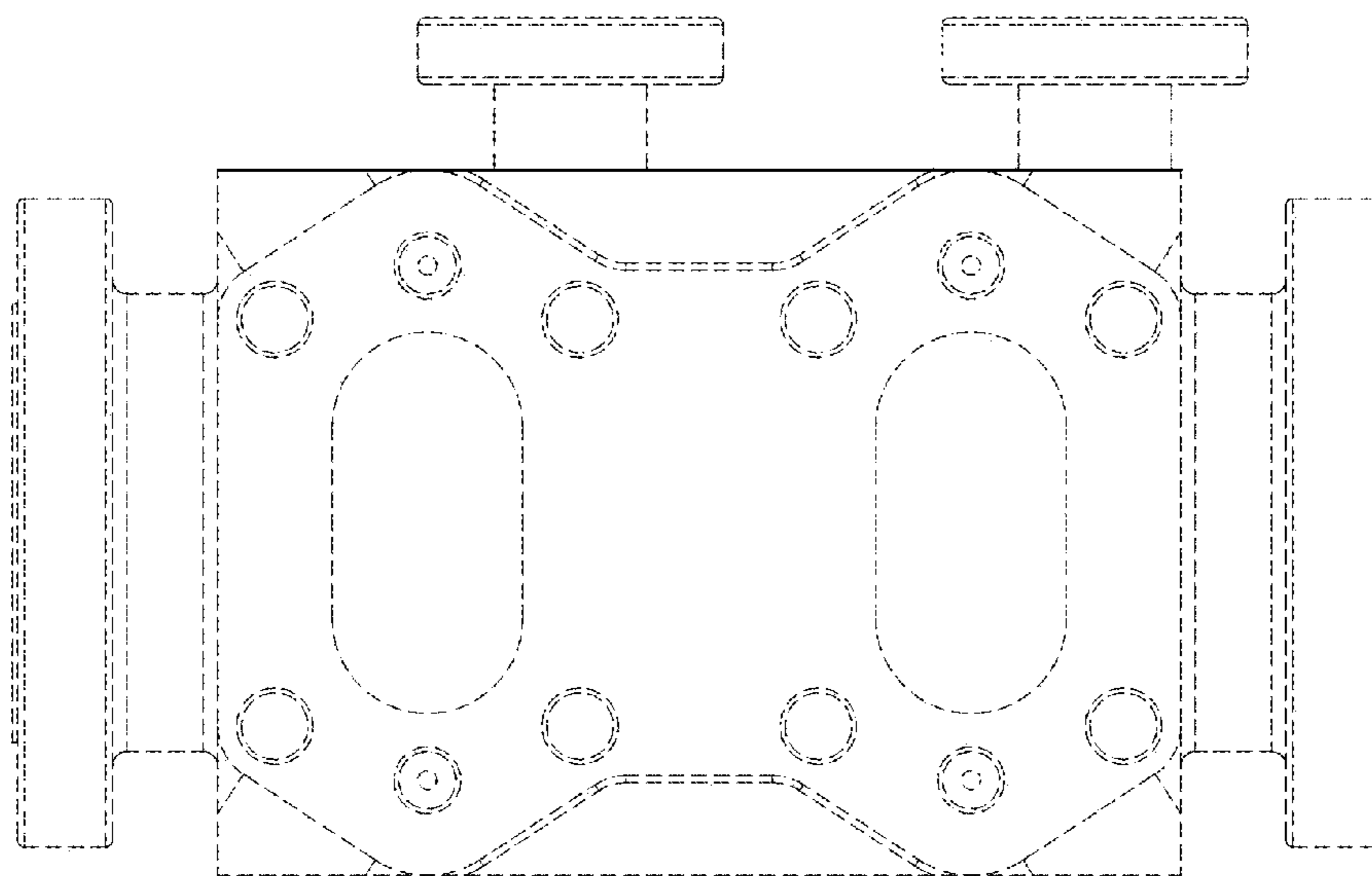


FIG. 2

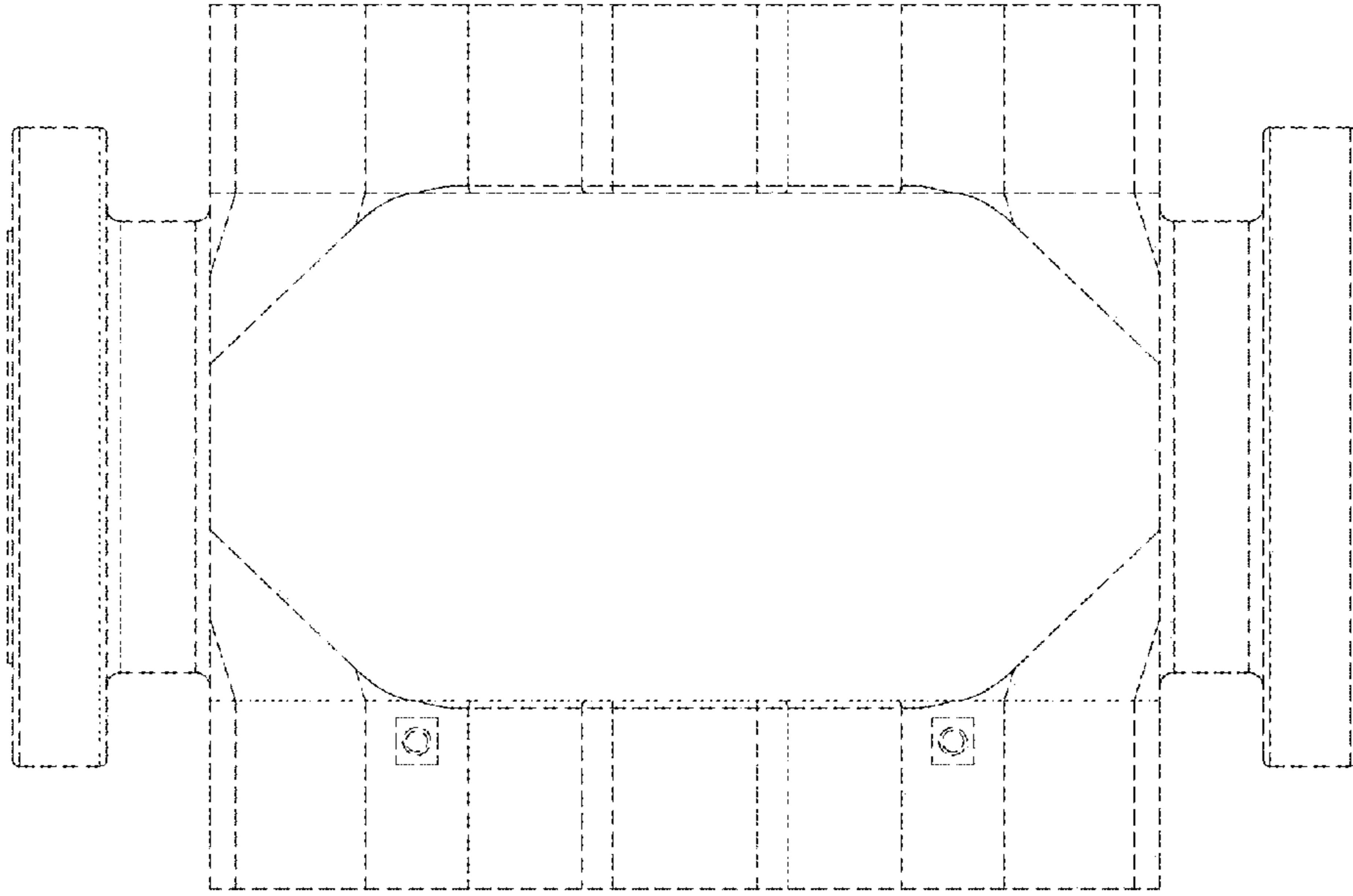


FIG. 5

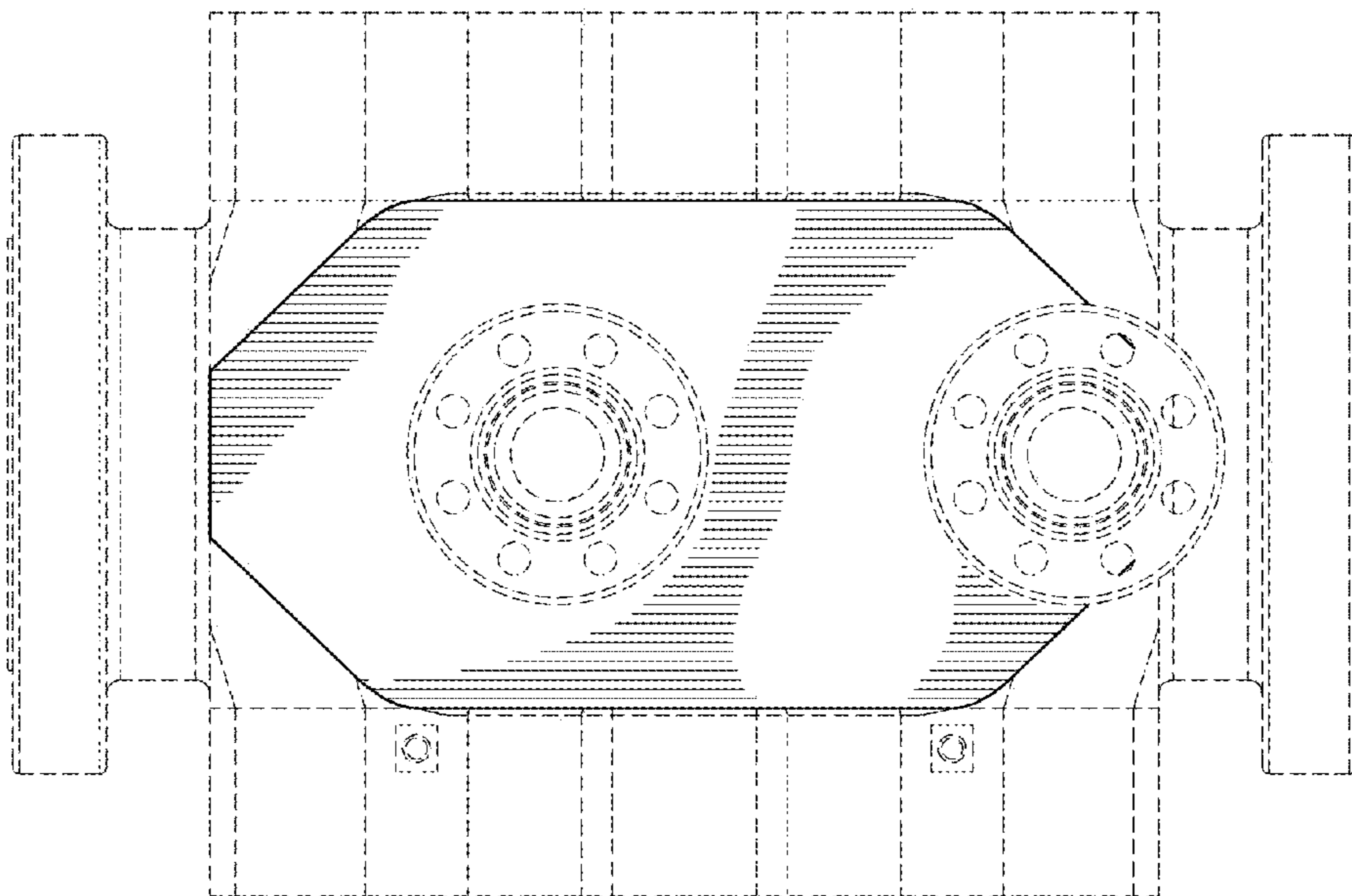


FIG. 4

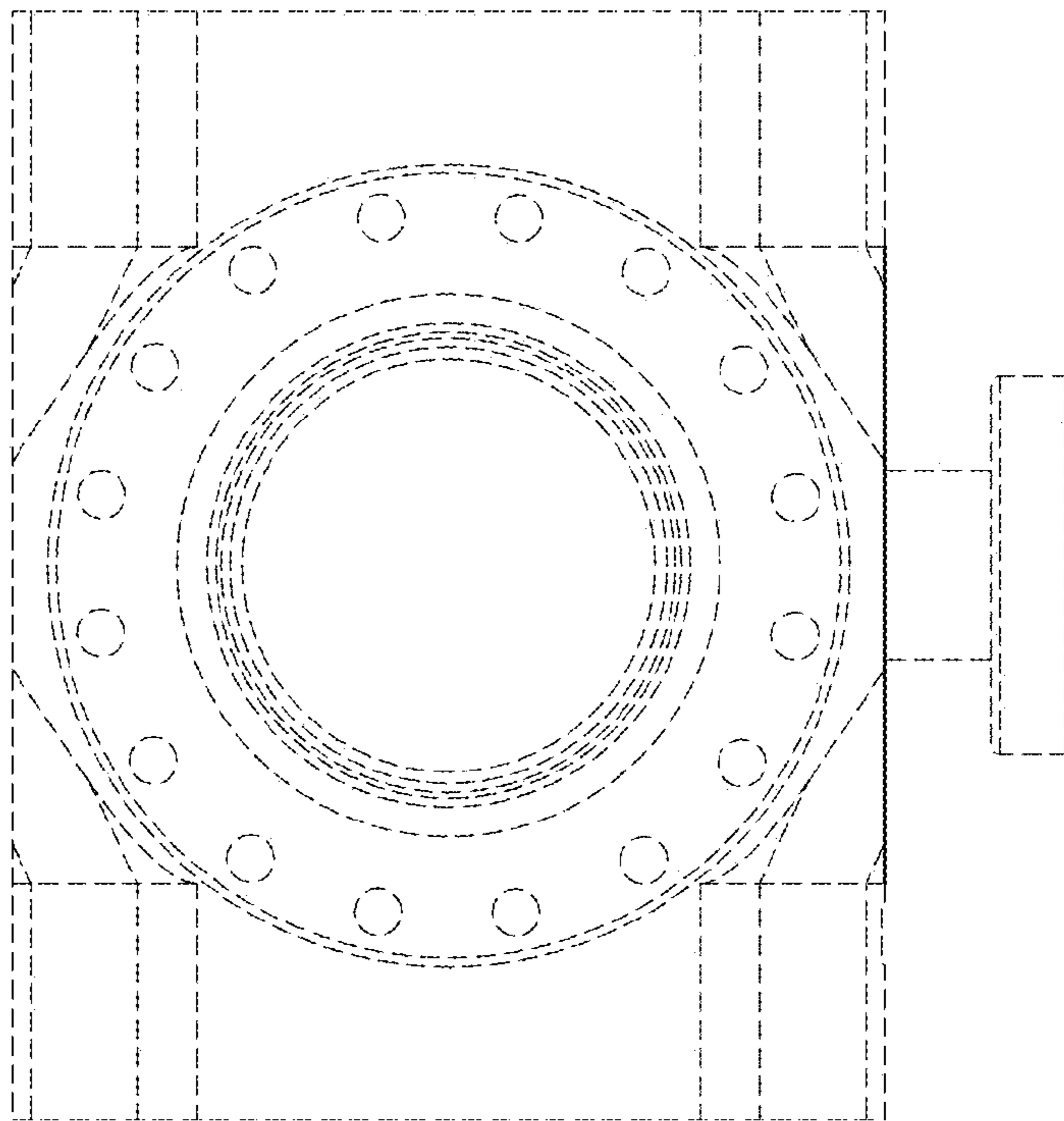


FIG. 6

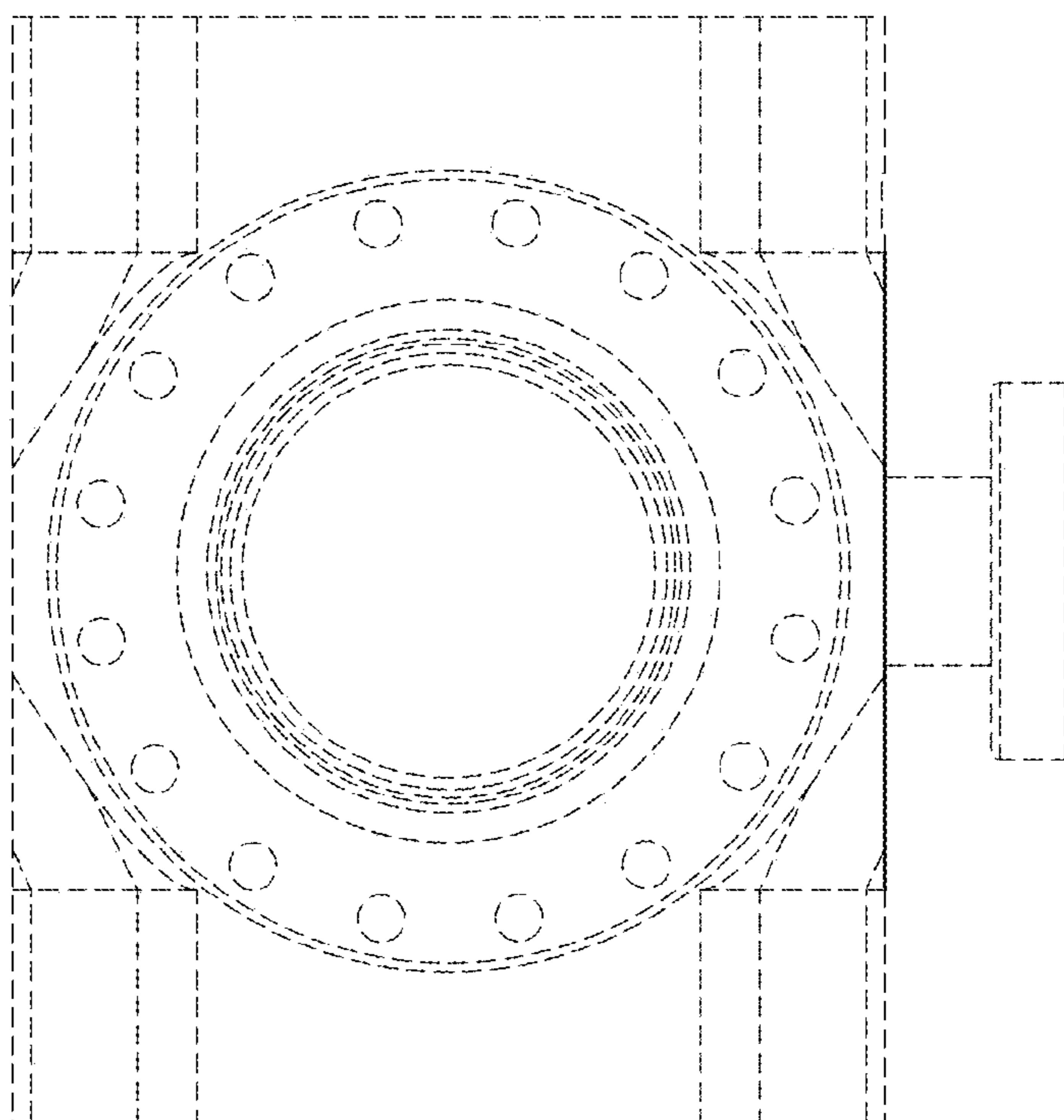


FIG. 7