



US00D700679S

(12) **United States Design Patent**
Weingarten

(10) **Patent No.:** **US D700,679 S**

(45) **Date of Patent:** **** Mar. 4, 2014**

(54) **AIR RELEASE VALVE**

(75) Inventor: **Zvi Weingarten**, Evron (IL)

(73) Assignee: **Bermad CS Ltd.**, Kibbutz Evron (IL)

(**) Term: **14 Years**

(21) Appl. No.: **29/397,293**

(22) Filed: **Jul. 14, 2011**

(51) **LOC (10) Cl.** **23-01**

(52) **U.S. Cl.**
USPC **D23/233**

(58) **Field of Classification Search**
USPC D23/233-237, 244-249; 137/43, 197,
137/202, 209, 433, 409, 411; 251/901
See application file for complete search history.

(56) **References Cited**

U.S. PATENT DOCUMENTS

D100,707 S *	8/1936	McCracken	D23/235
5,957,150 A *	9/1999	Perkins	137/202
D538,890 S *	3/2007	Park	D23/233
D674,467 S *	1/2013	Weingarten	D23/233

D674,468 S *	1/2013	Weingarten	D23/233
8,402,994 B2 *	3/2013	Smit	137/391
2010/0108156 A1 *	5/2010	Katzman	137/202

* cited by examiner

Primary Examiner — Cynthia Ramirez

(74) *Attorney, Agent, or Firm* — Mark M. Friedman

(57) **CLAIM**

The ornamental design for the air release valve, as shown and described.

DESCRIPTION

FIG. 1 is a front view of an air release valve showing my design;

FIG. 2 is a rear view thereof;

FIG. 3 is a side view thereof;

FIG. 4 is a side view thereof;

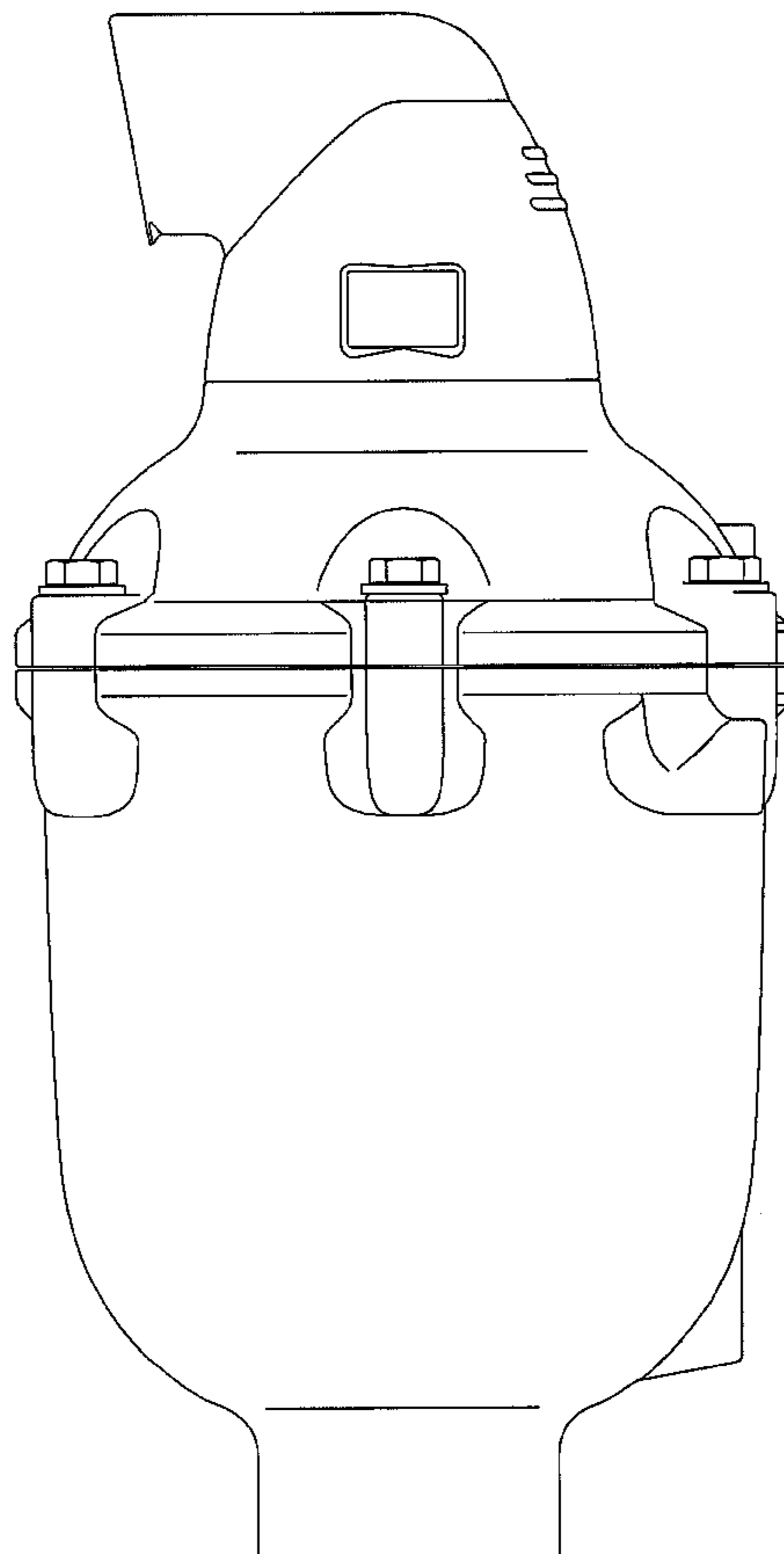
FIG. 5 is a top view thereof;

FIG. 6 is a bottom view thereof; and,

FIG. 7 is an isometric side view thereof.

The portions of the air release valve shown in broken lines form no part of the claimed design.

1 Claim, 7 Drawing Sheets



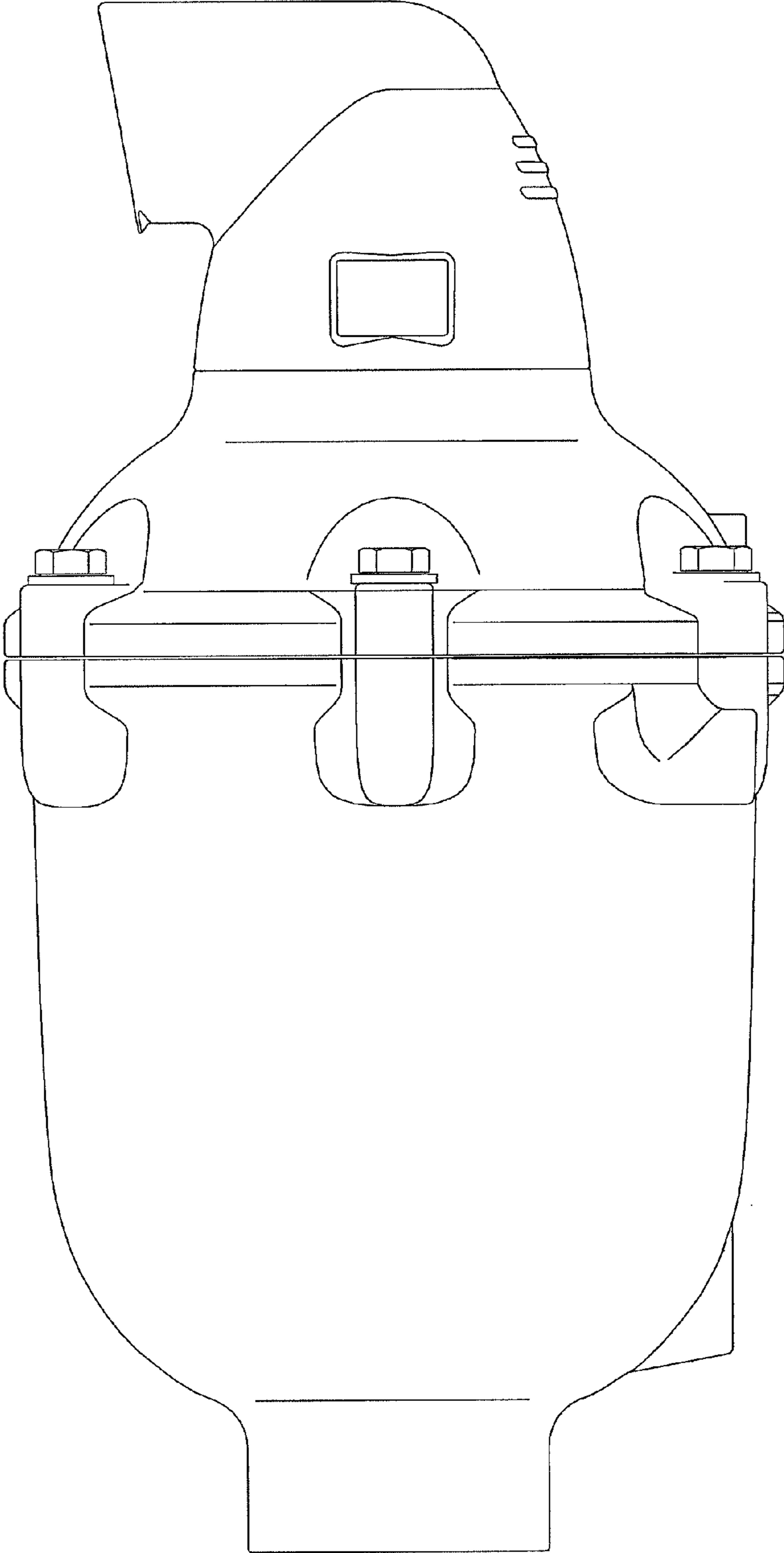


FIG 1

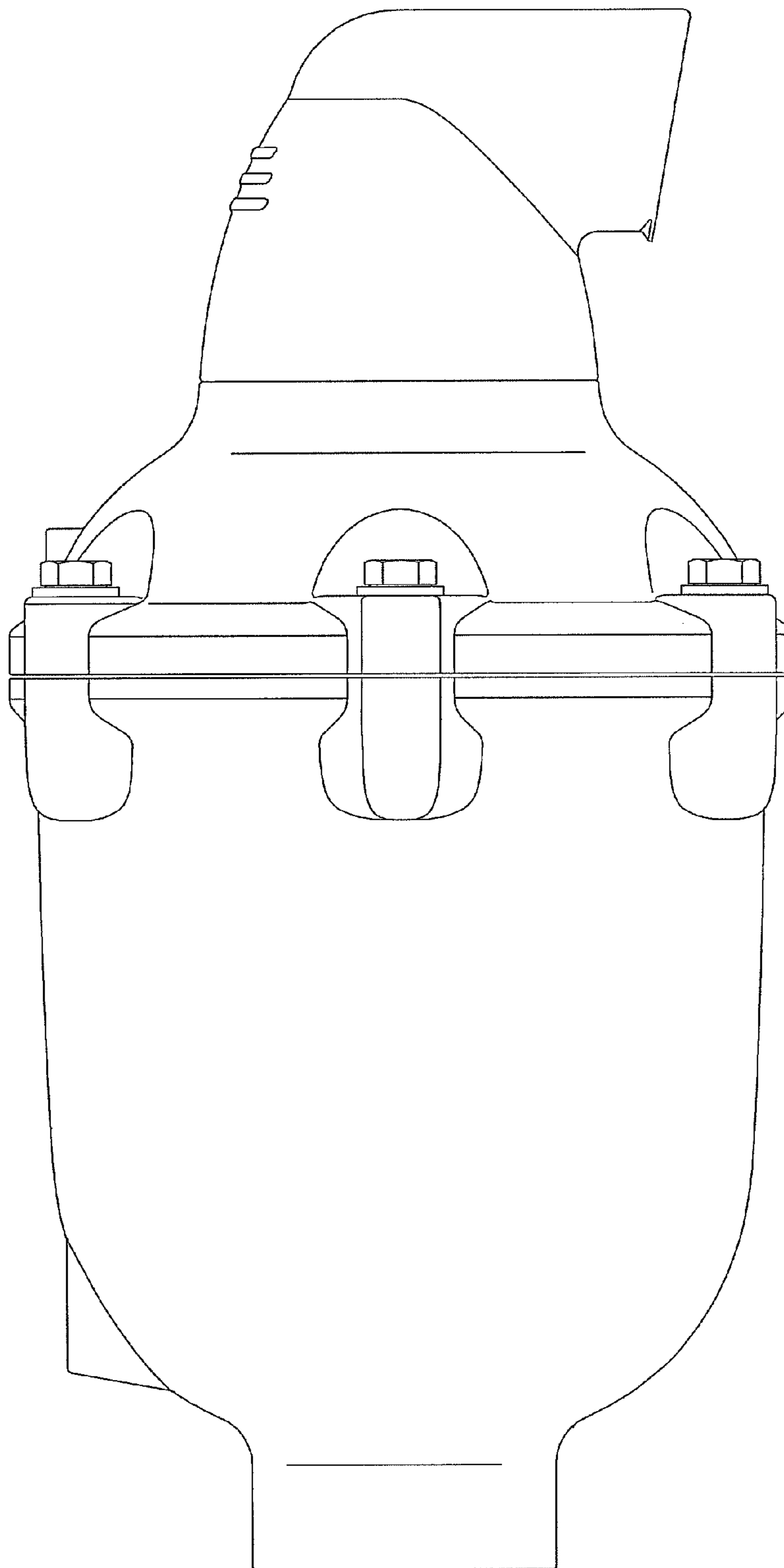


FIG 2

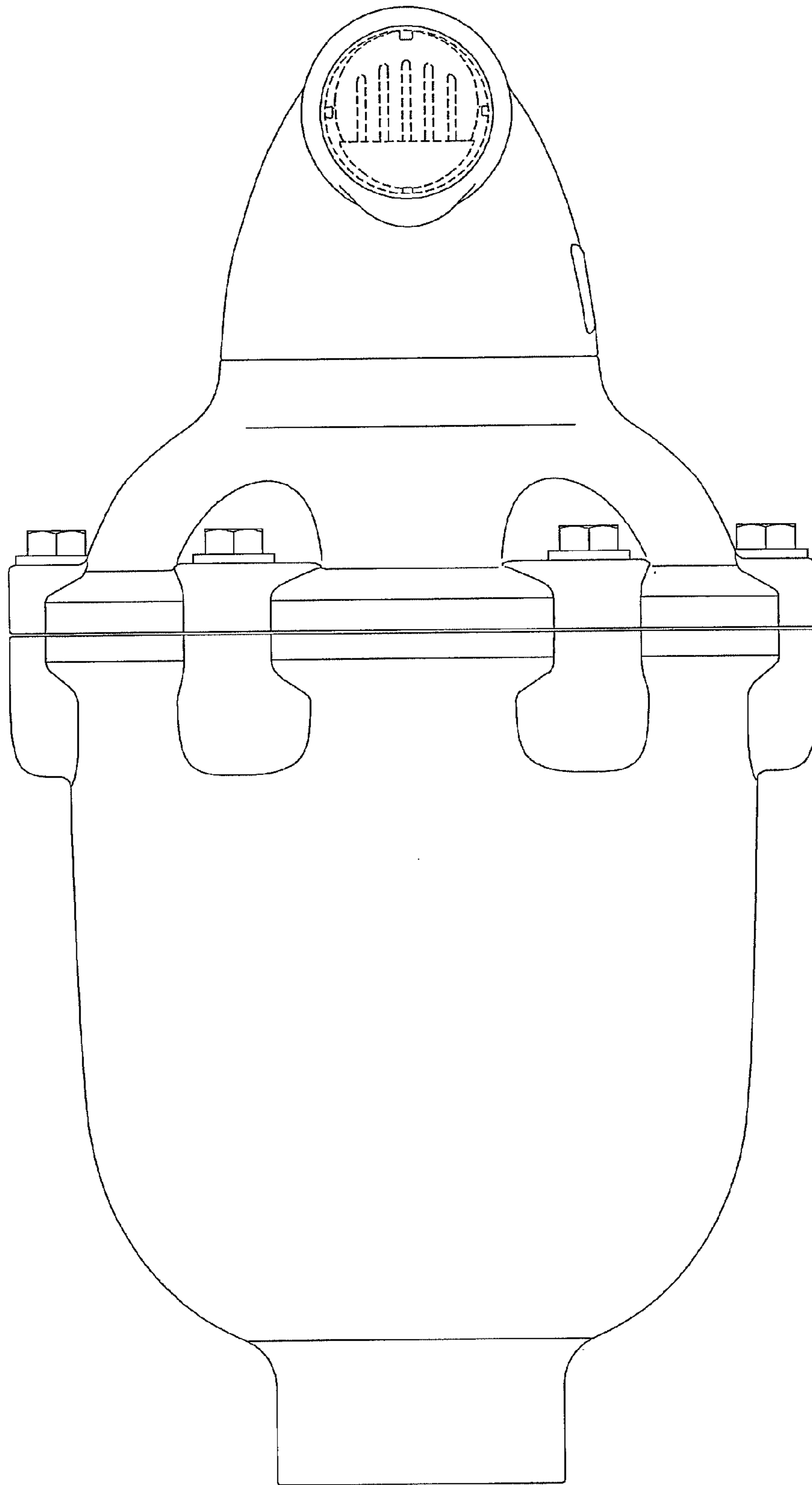


FIG 3

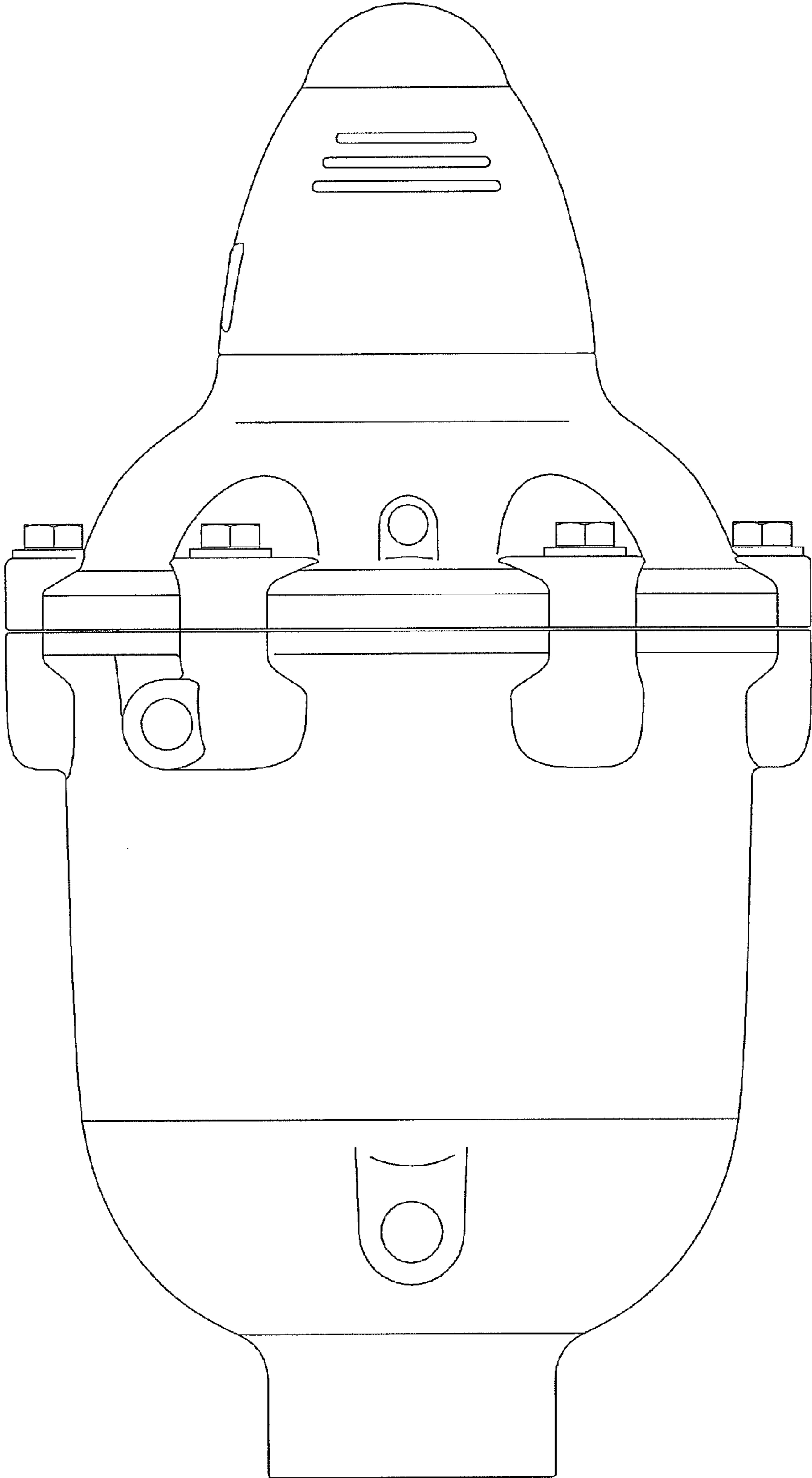


FIG 4

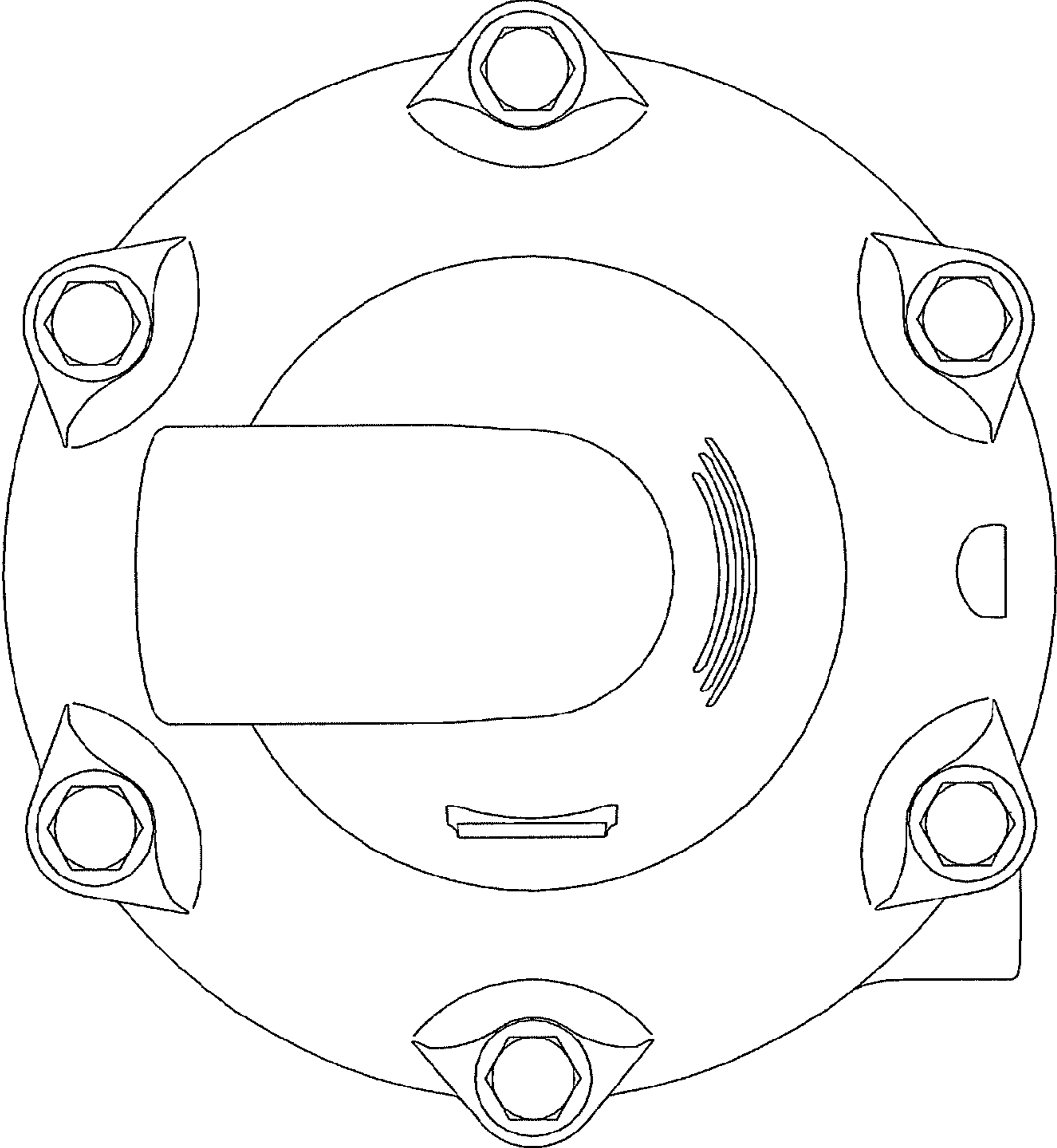


FIG 5

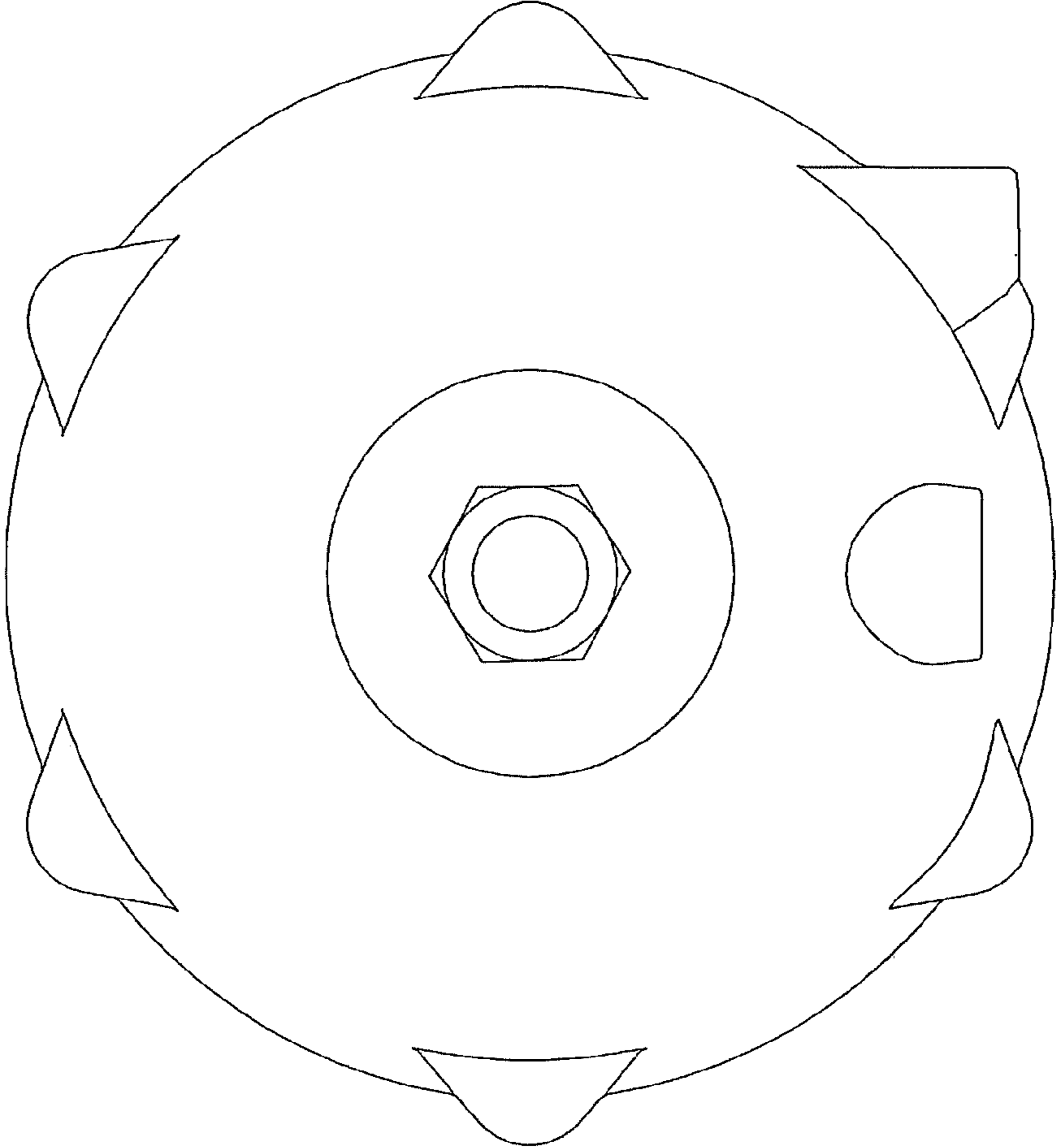


FIG 6

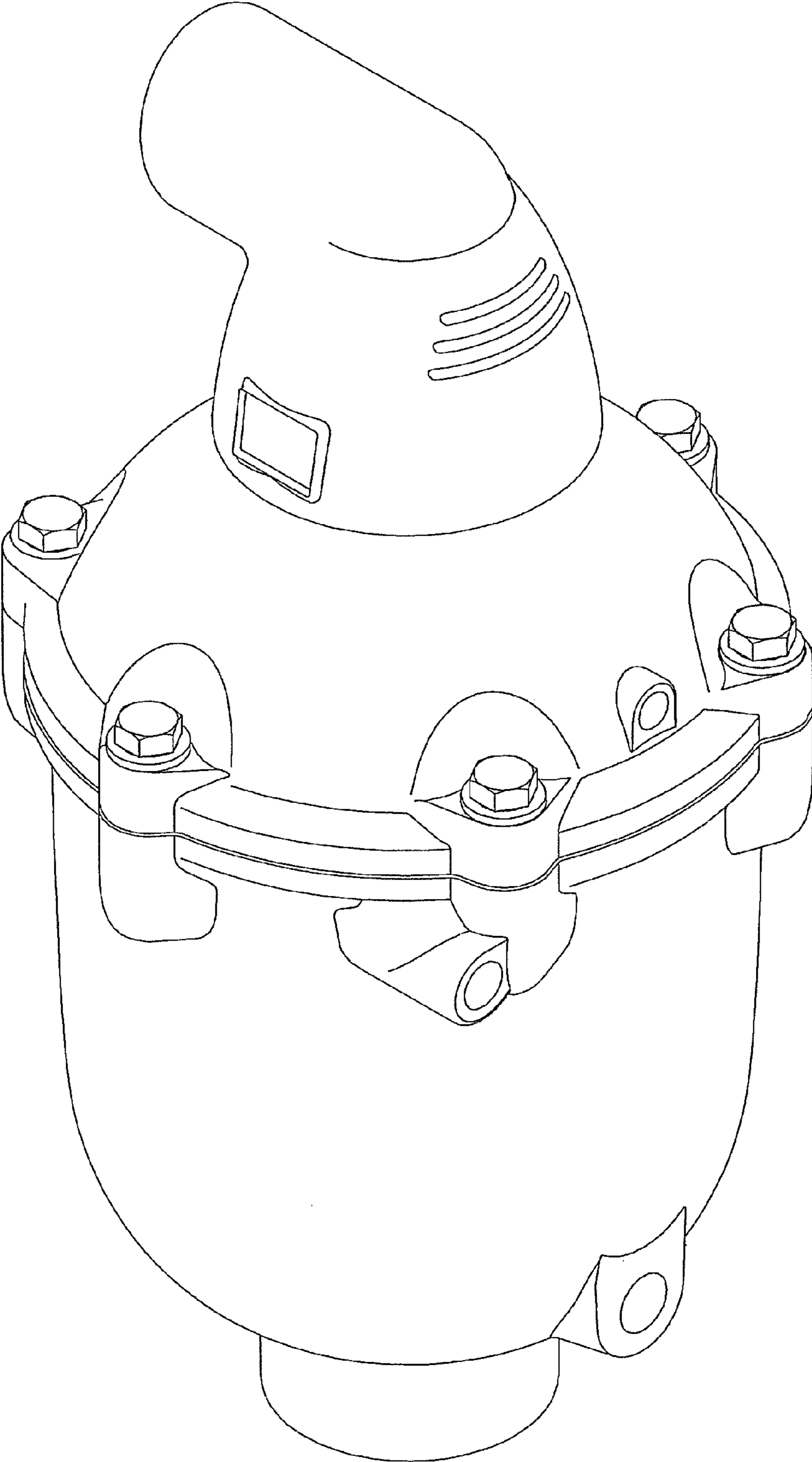


FIG 7