



US00D700678S

(12) **United States Design Patent**  
**Cunningham et al.**

(10) **Patent No.:** **US D700,678 S**  
(45) **Date of Patent:** **\*\* Mar. 4, 2014**

(54) **WATER CONTAINER**

(71) Applicant: **Fiskars Brands, Inc.**, Madison, WI (US)

(72) Inventors: **Daniel Cunningham**, Edgerton, WI (US); **James Meiller**, Fitchburg, WI (US); **Colin Roberts**, Stevens Point, WI (US); **Daniel J. Lipscomb**, Prairie du Sac, WI (US)

(73) Assignee: **Fiskars Brands, Inc.**, Madison, WI (US)

(\*\*) Term: **14 Years**

(21) Appl. No.: **29/447,457**

(22) Filed: **Mar. 4, 2013**

(51) **LOC (10) Cl.** ..... **23-01**

(52) **U.S. Cl.**  
USPC ..... **D23/212**

(58) **Field of Classification Search**  
USPC ..... D23/212; 239/375-378; 222/465.1  
See application file for complete search history.

(56) **References Cited**

**U.S. PATENT DOCUMENTS**

D279,311 S	*	6/1985	Schwartzburg	.....	D23/212
D468,799 S	*	1/2003	Kortleven	.....	D23/212
D671,193 S	*	11/2012	Thibault	.....	D23/212

\* cited by examiner

*Primary Examiner* — Robin V Webster

(74) *Attorney, Agent, or Firm* — Foley & Lardner LLP

(57) **CLAIM**

We claim the ornamental design for a water container, as shown and described.

**DESCRIPTION**

FIG. 1 is a front, top perspective view of an embodiment of the claimed design;

FIG. 2 is a right side view of the embodiment of FIG. 1;

FIG. 3 is a left side view of the embodiment of FIG. 1;

FIG. 4 is a front view of the embodiment of FIG. 1;

FIG. 5 is a back view of the embodiment of FIG. 1;

FIG. 6 is a top view of the embodiment of FIG. 1;

FIG. 7 is a bottom view of the embodiment of FIG. 1;

FIG. 8 is a front, bottom perspective view of the embodiment of FIG. 1;

FIG. 9 is a front, top perspective view of another embodiment of the claimed design;

FIG. 10 is a right side view of the embodiment of FIG. 9;

FIG. 11 is a left side view of the embodiment of FIG. 9;

FIG. 12 is a front view of the embodiment of FIG. 9;

FIG. 13 is a back view of the embodiment of FIG. 9;

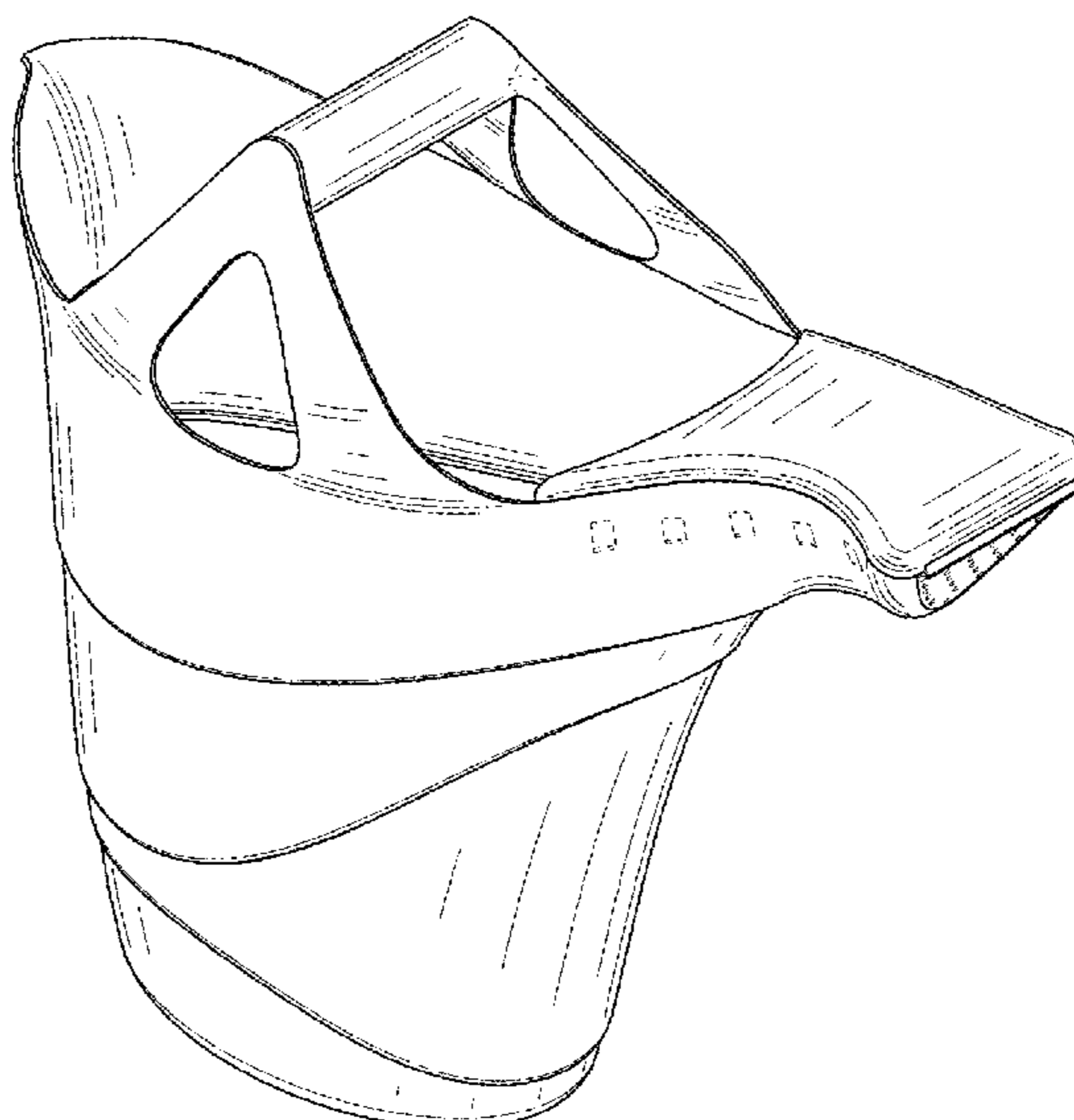
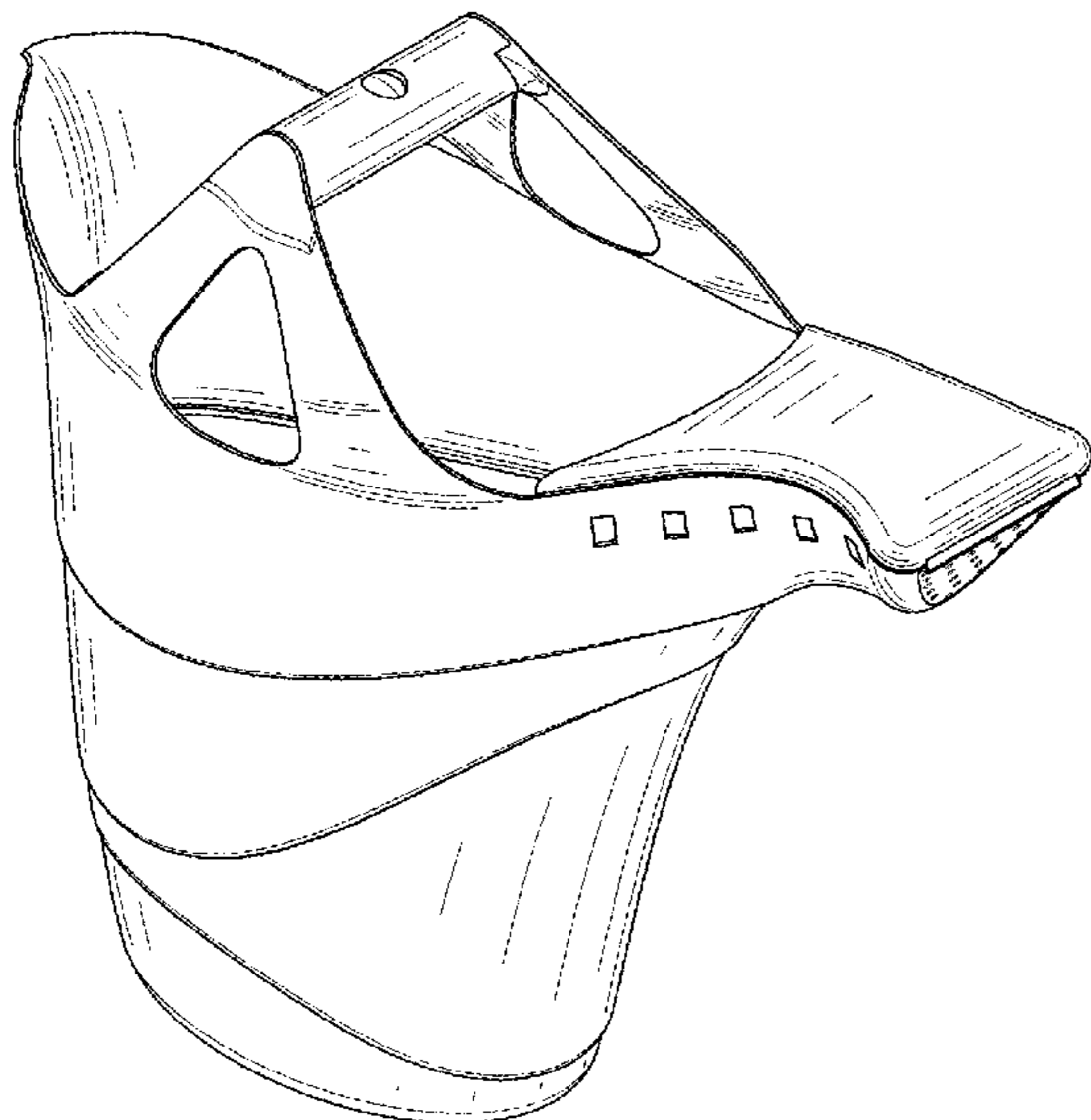
FIG. 14 is a top view of the embodiment of FIG. 9;

FIG. 15 is a bottom view of the embodiment of FIG. 9; and,

FIG. 16 is a front, bottom perspective view of the embodiment of FIG. 9.

The ornamental design which is claimed is shown in solid lines in the drawings. The broken lines in the drawings are included for the purpose of illustrating subject matter that forms no part of the claimed design.

**1 Claim, 16 Drawing Sheets**



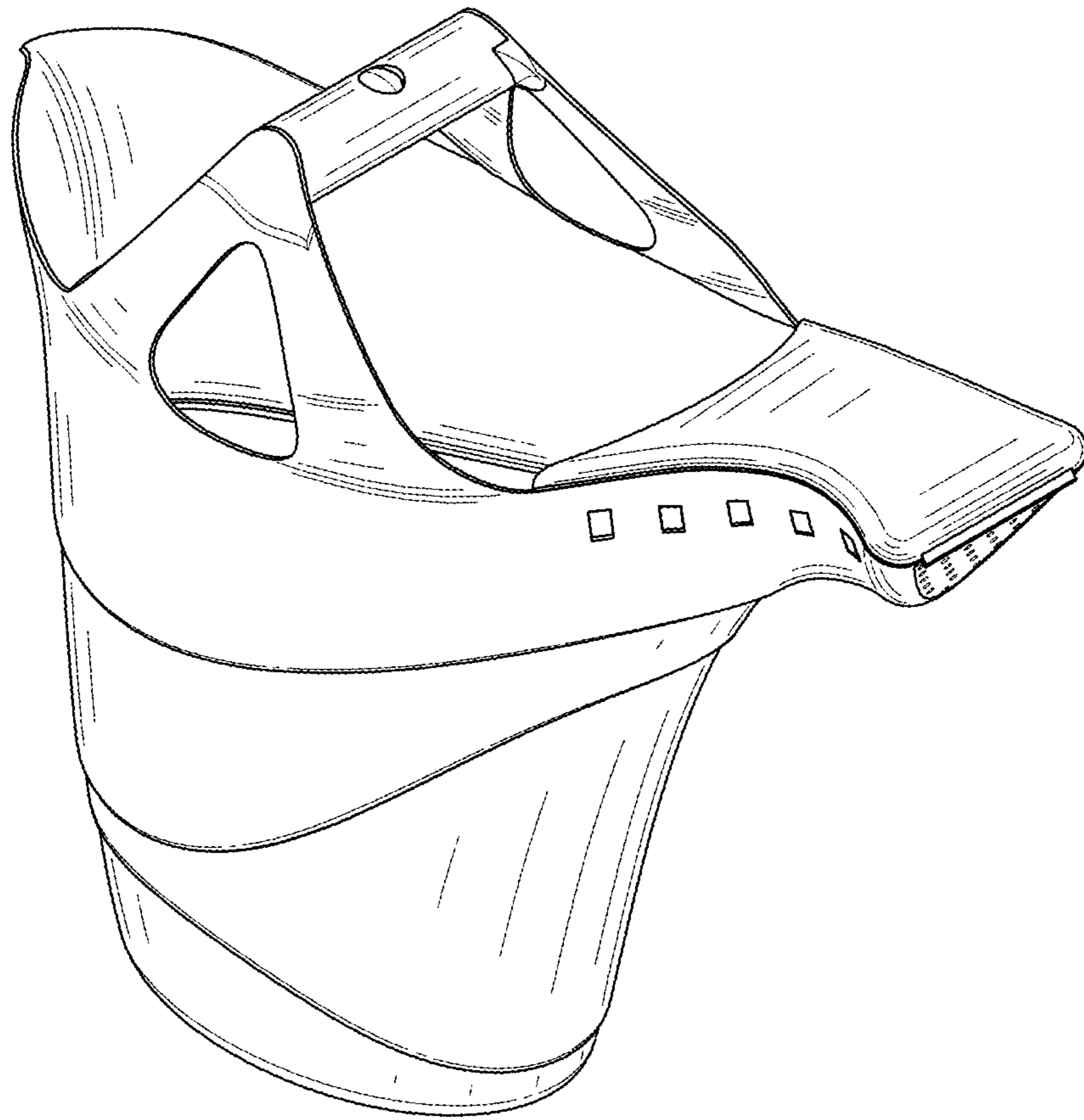


FIG. 1

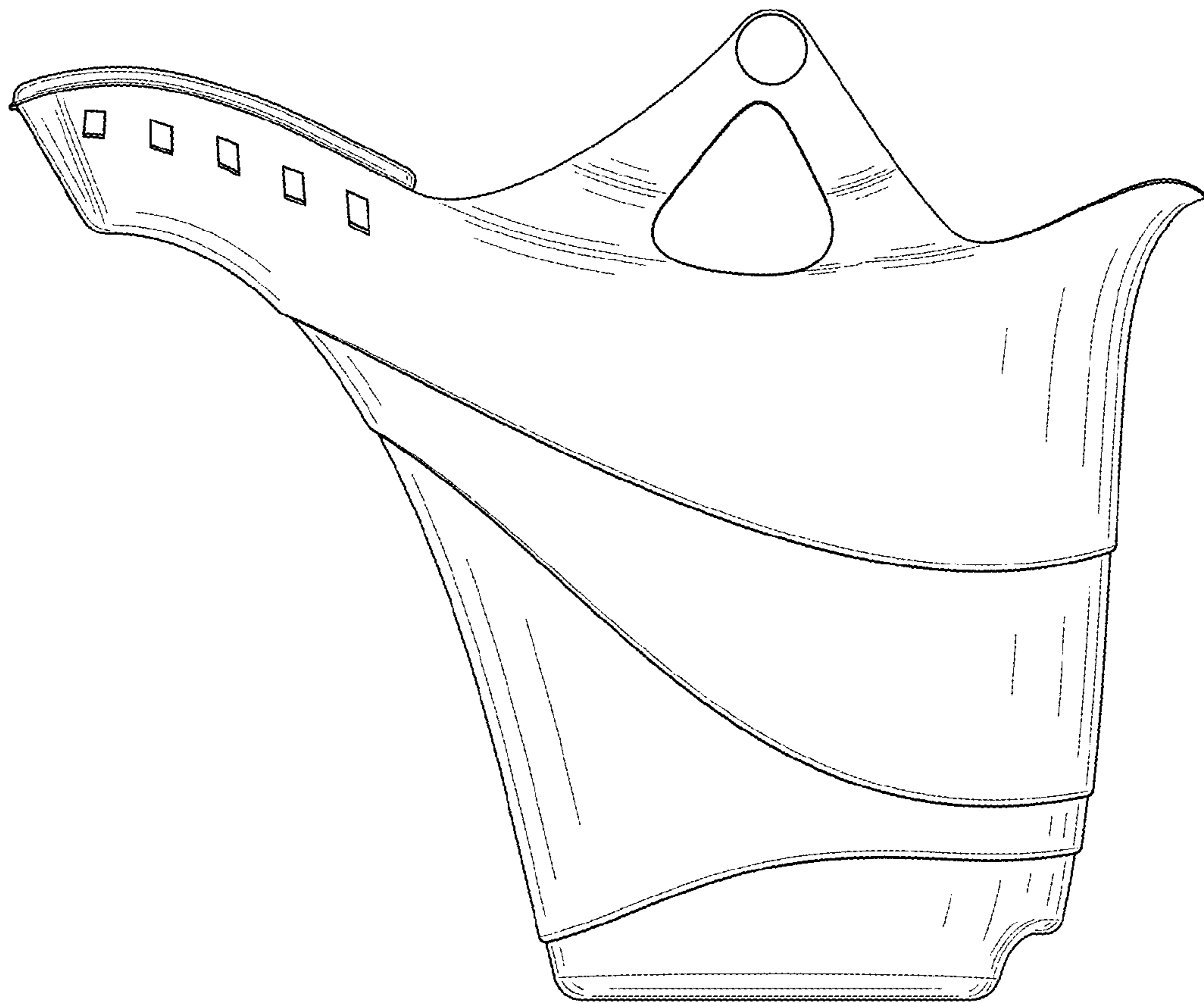


FIG. 2

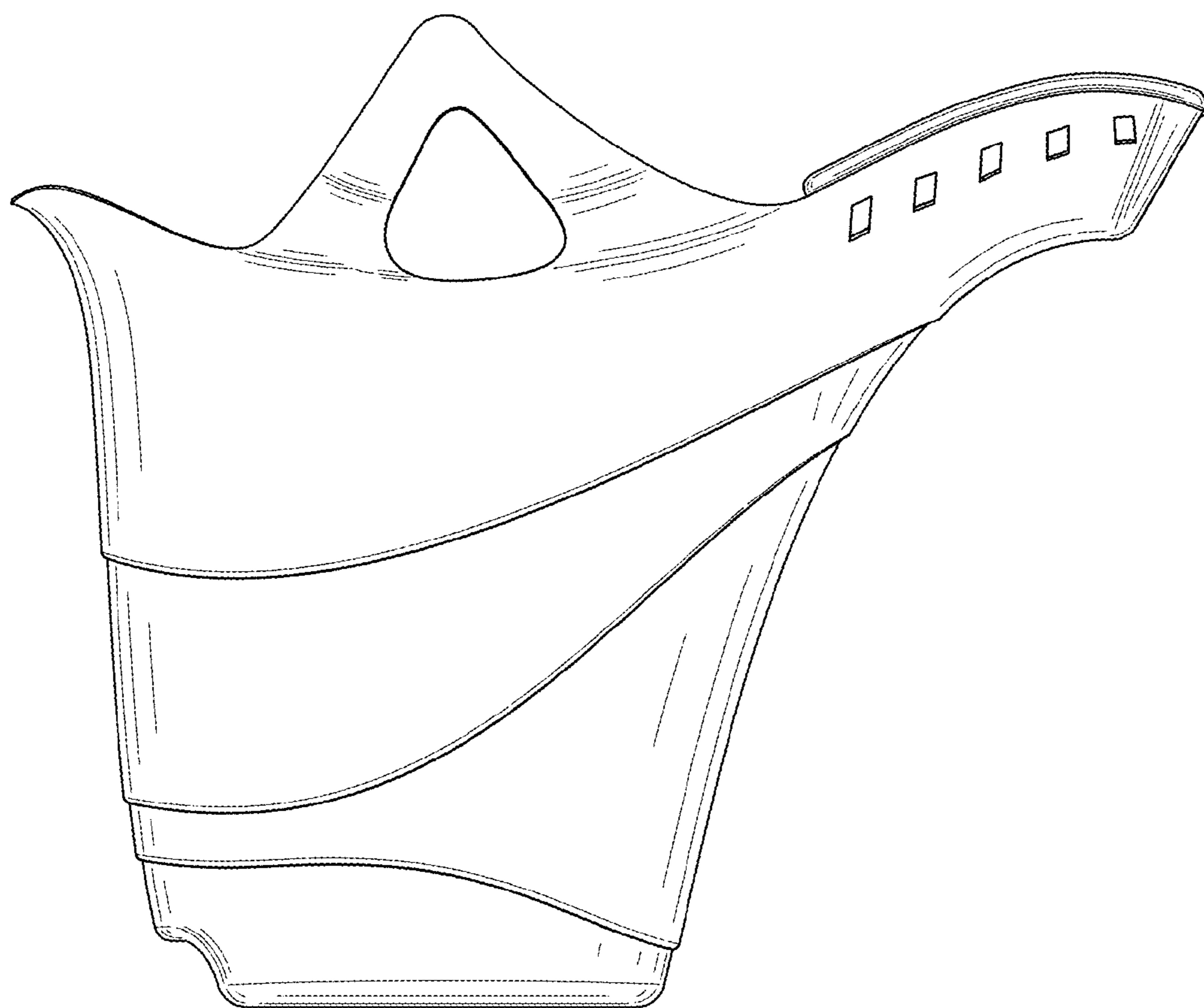


FIG. 3

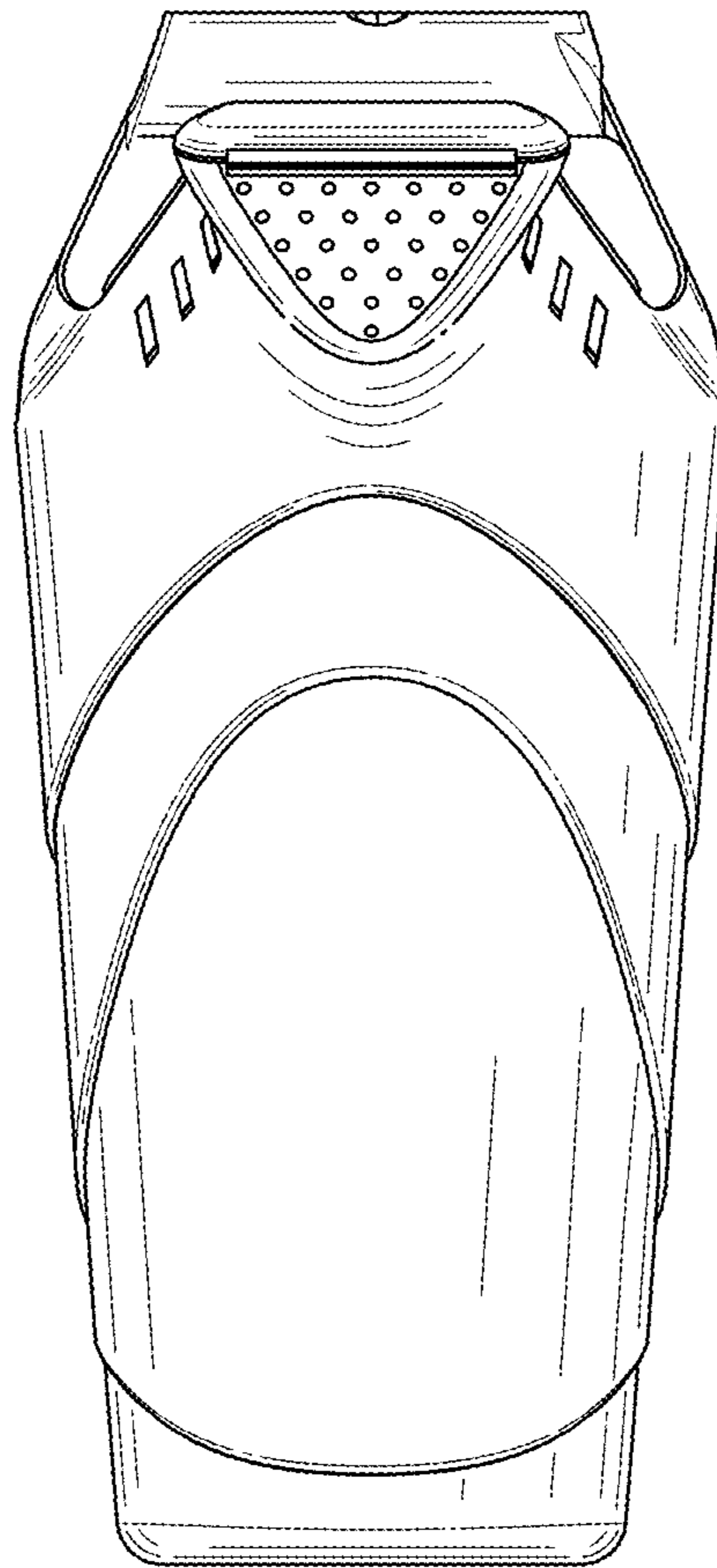
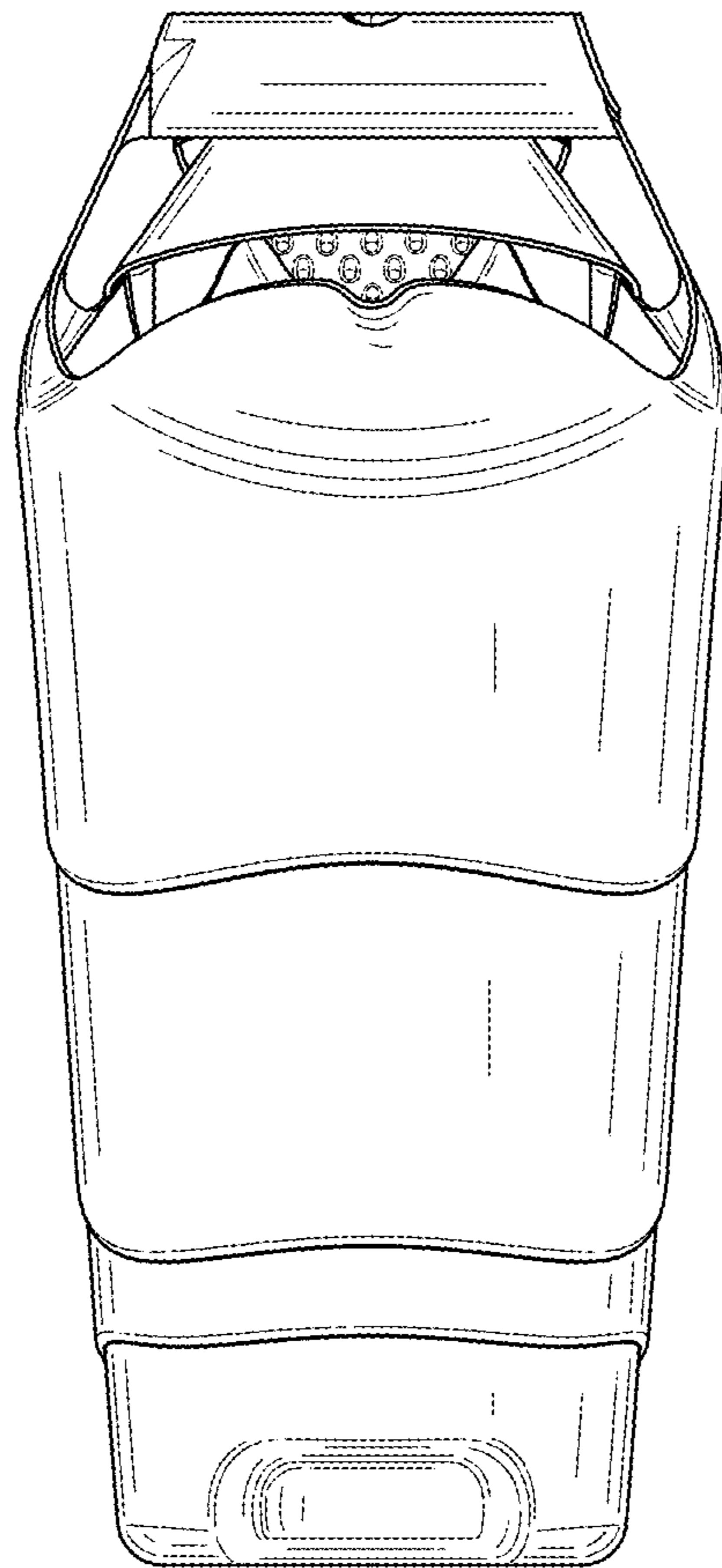
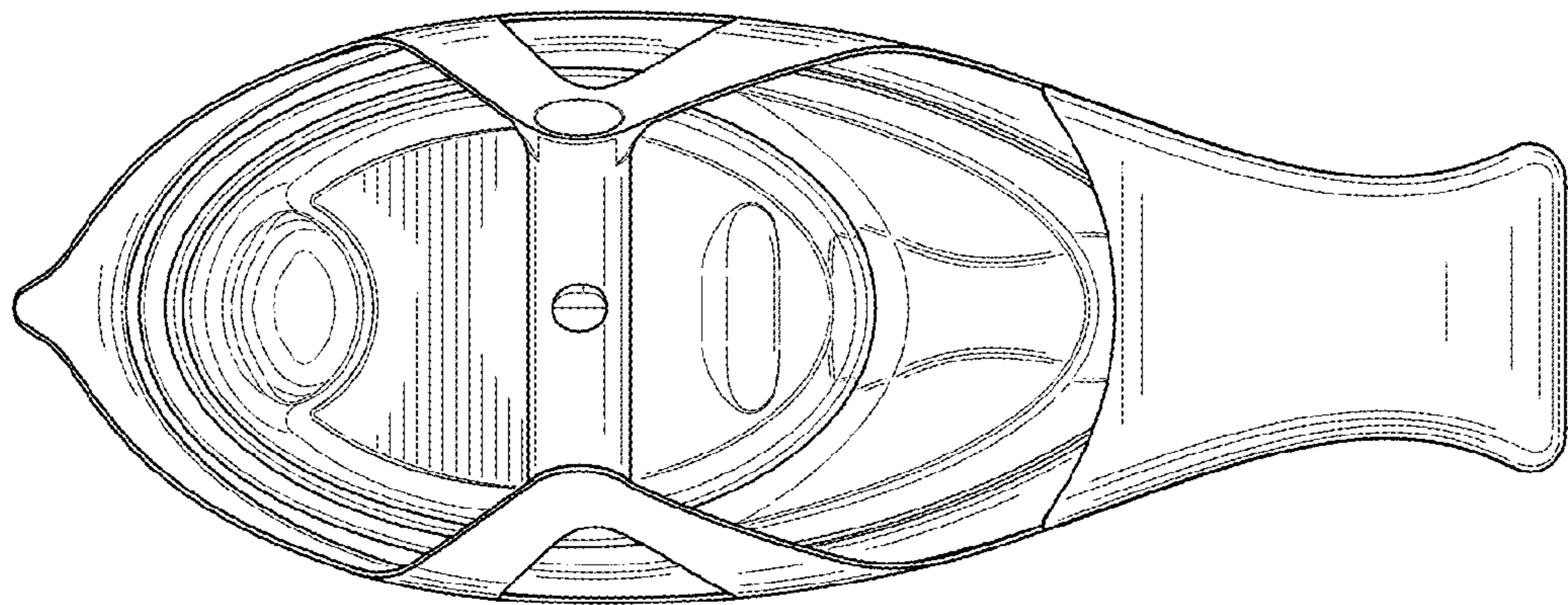


FIG. 4





**FIG. 5**



**FIG. 6**

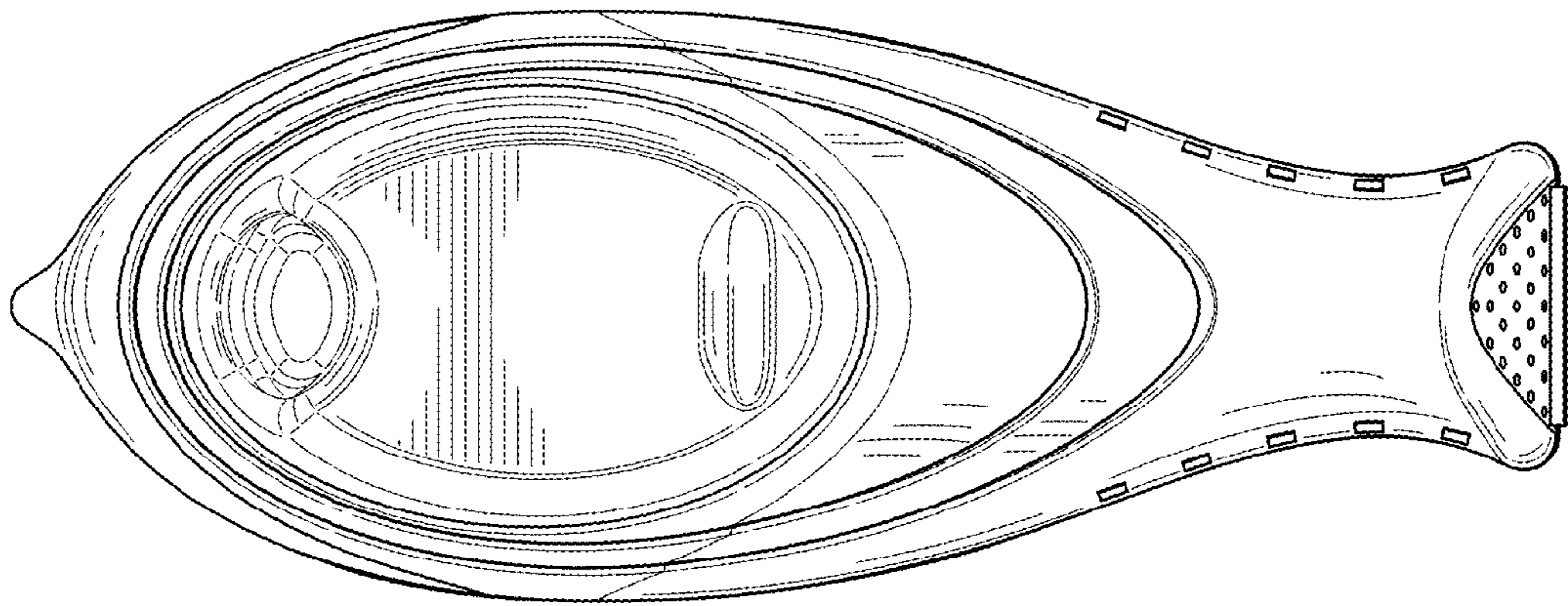


FIG. 7



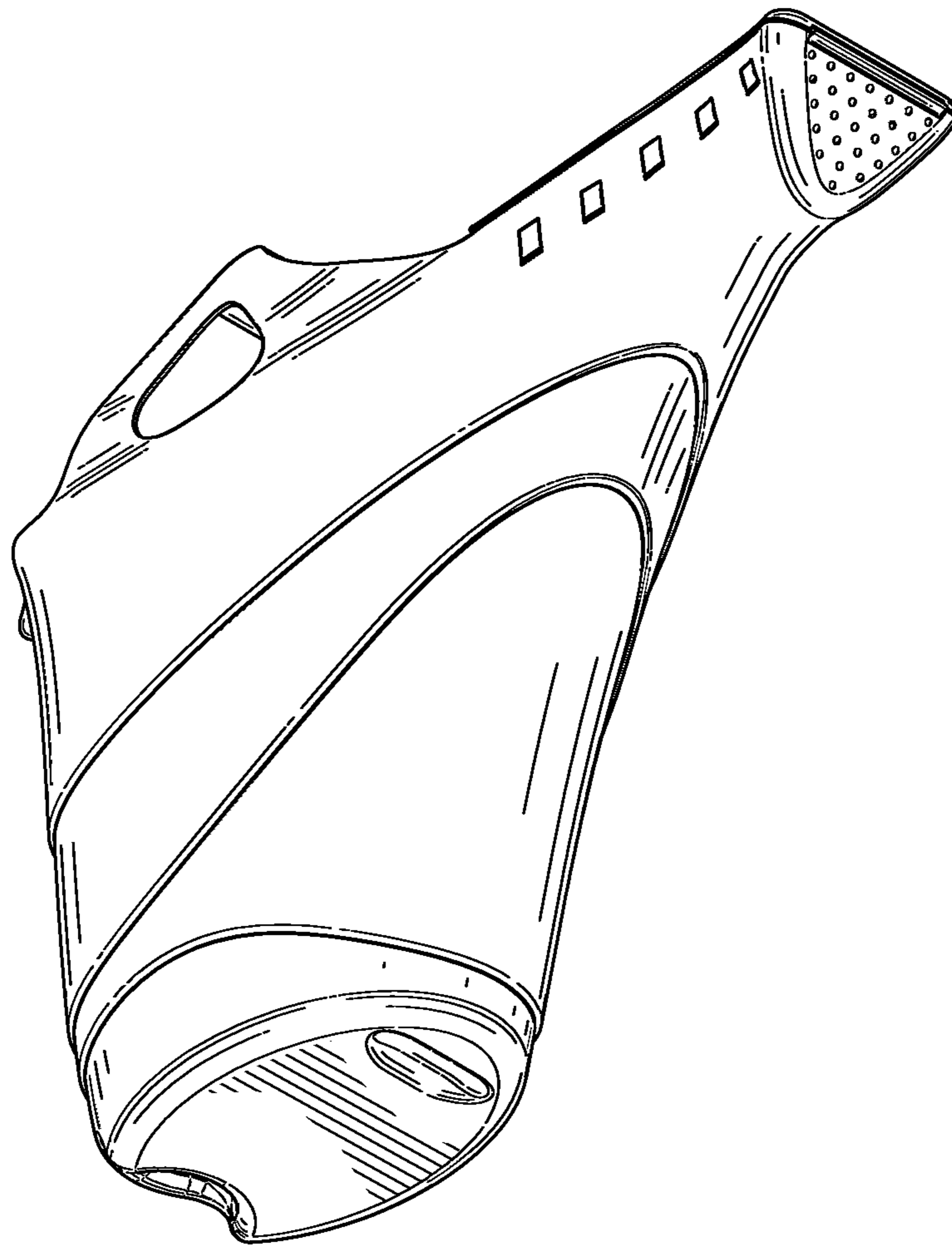


FIG. 8

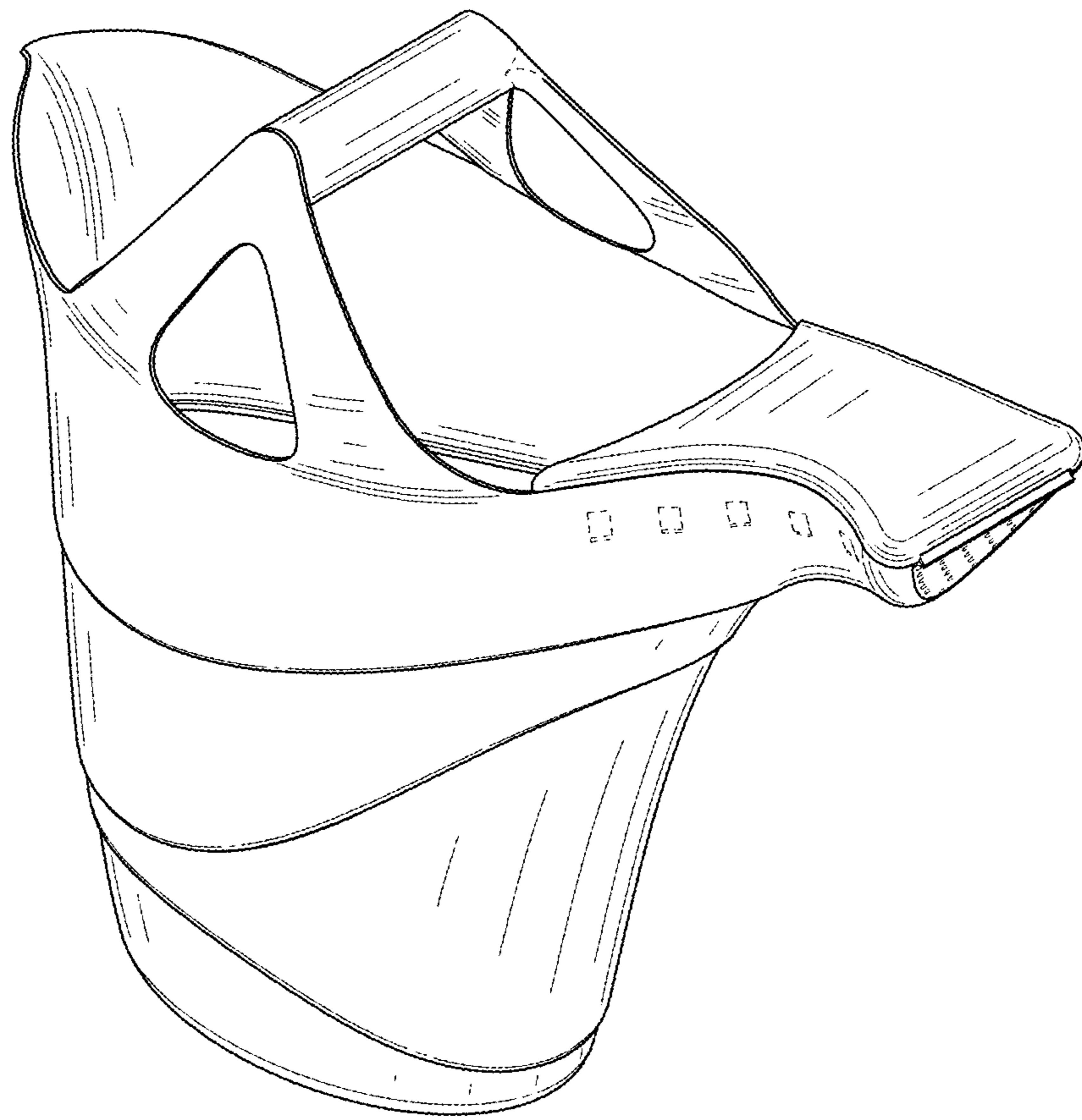
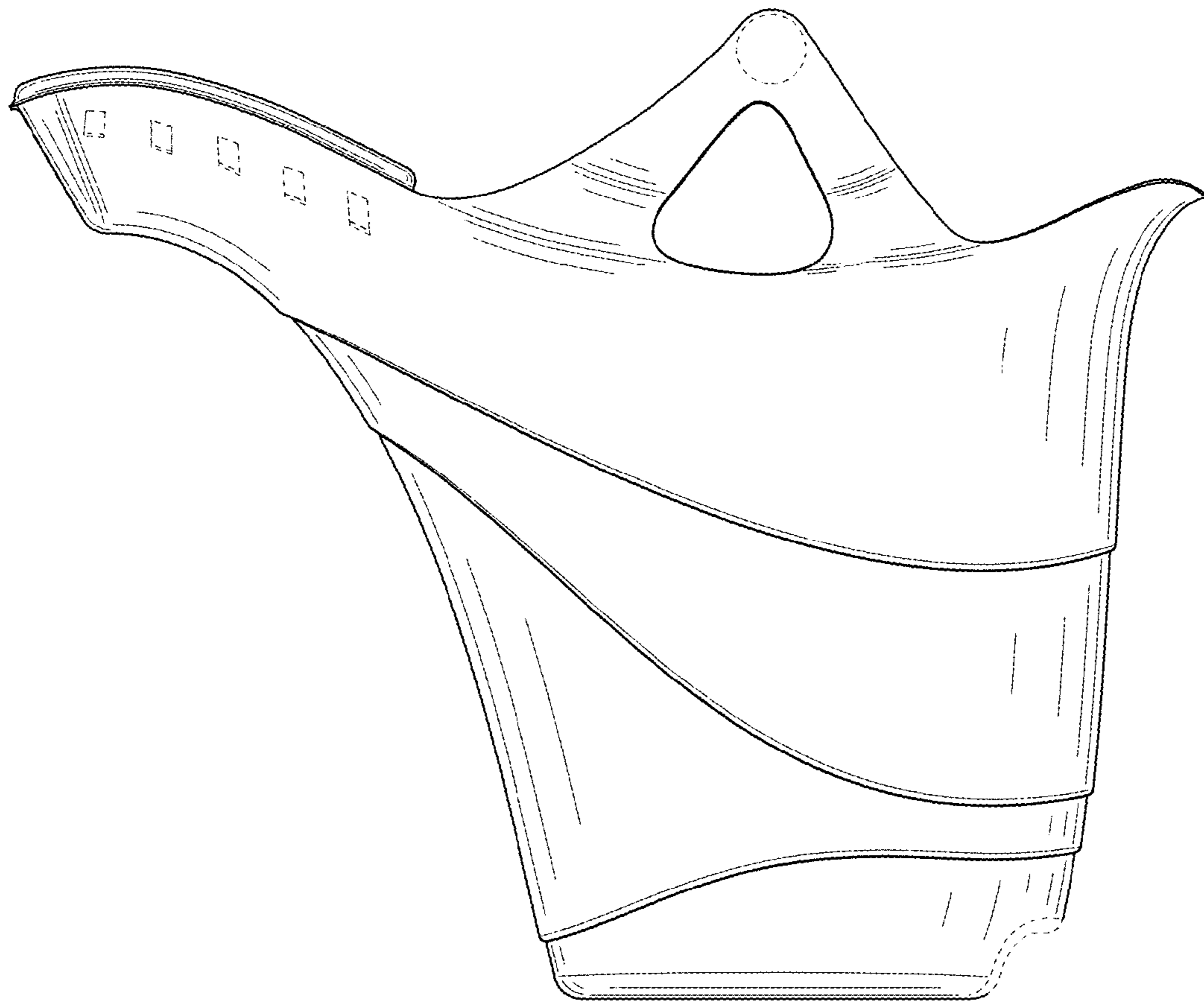


FIG. 9



**FIG. 10**

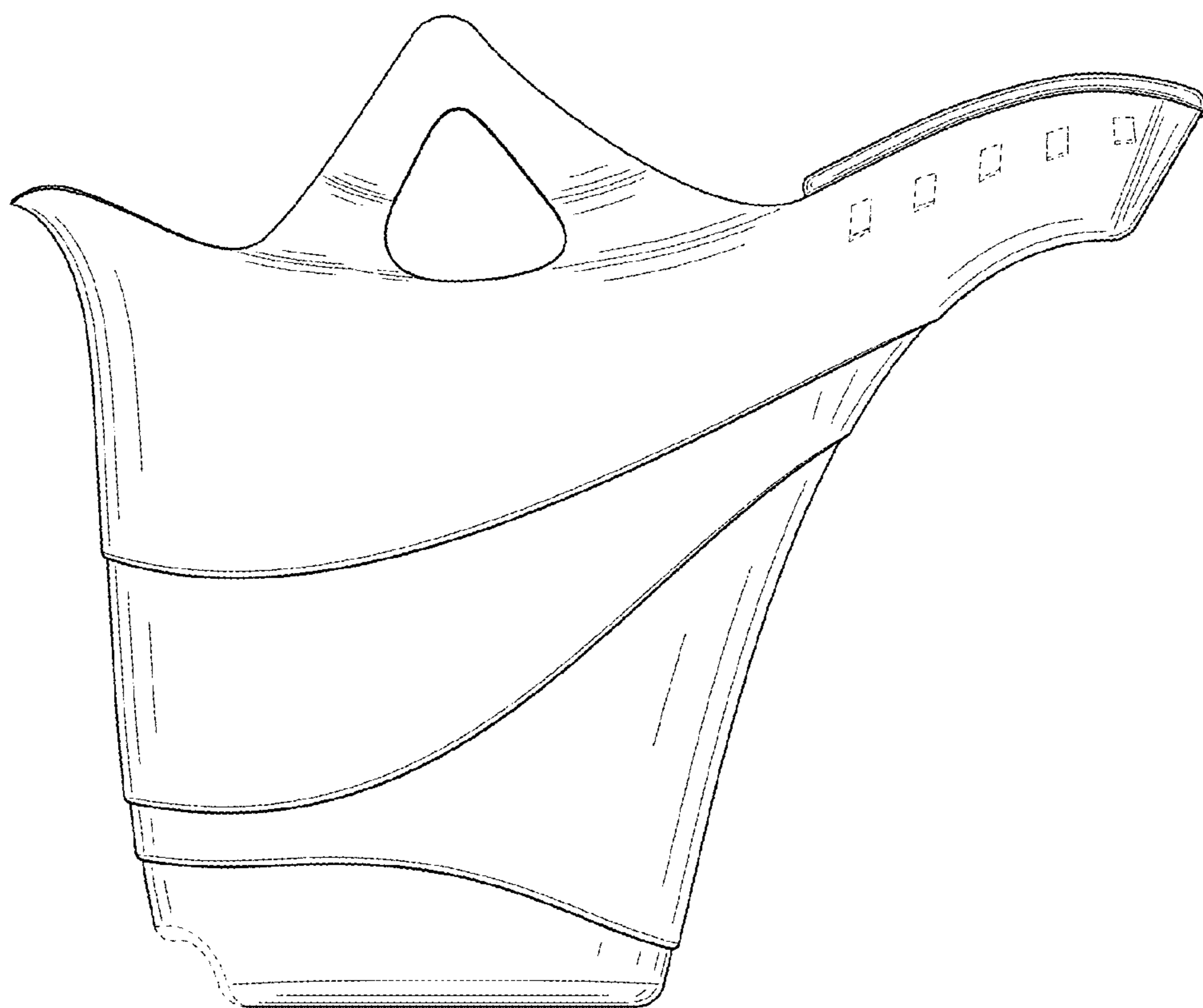


FIG. 11

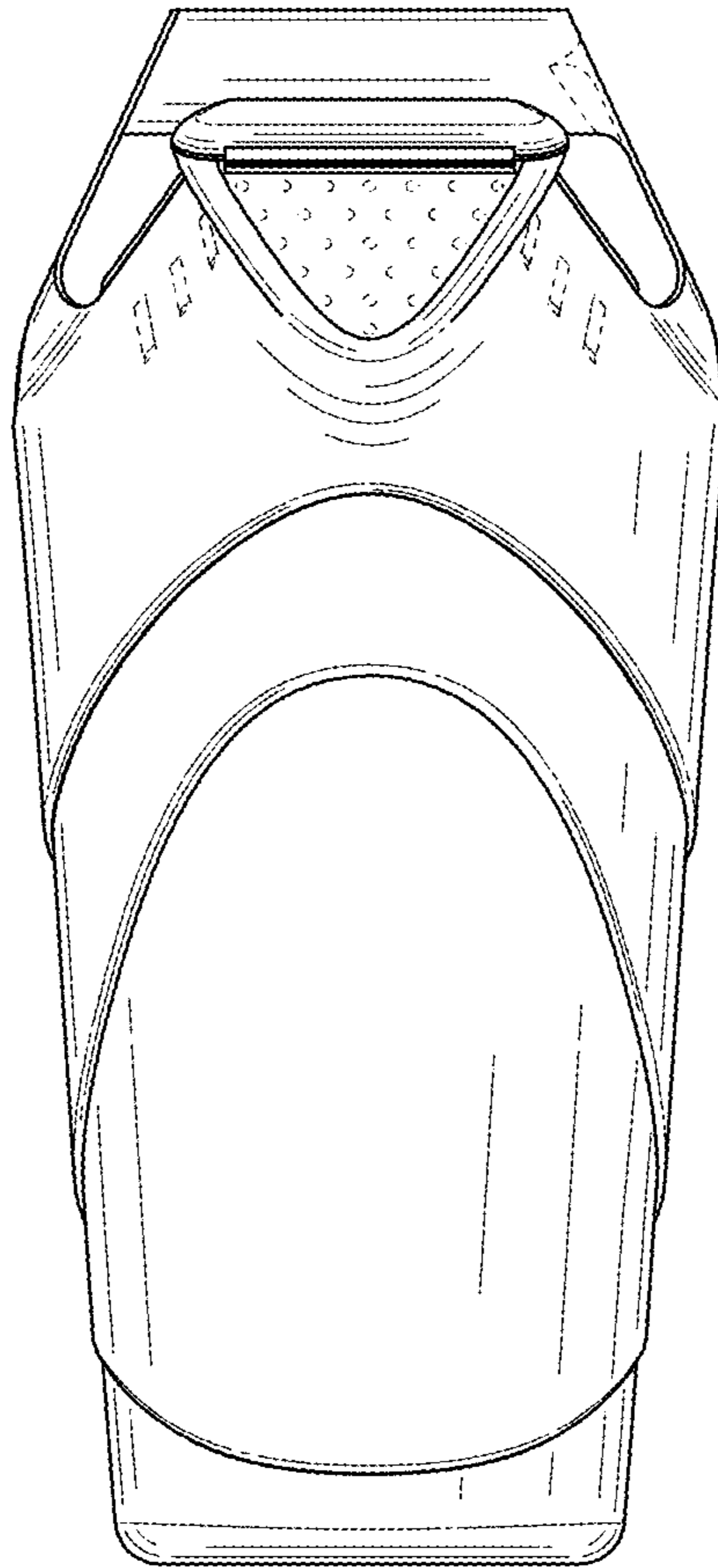
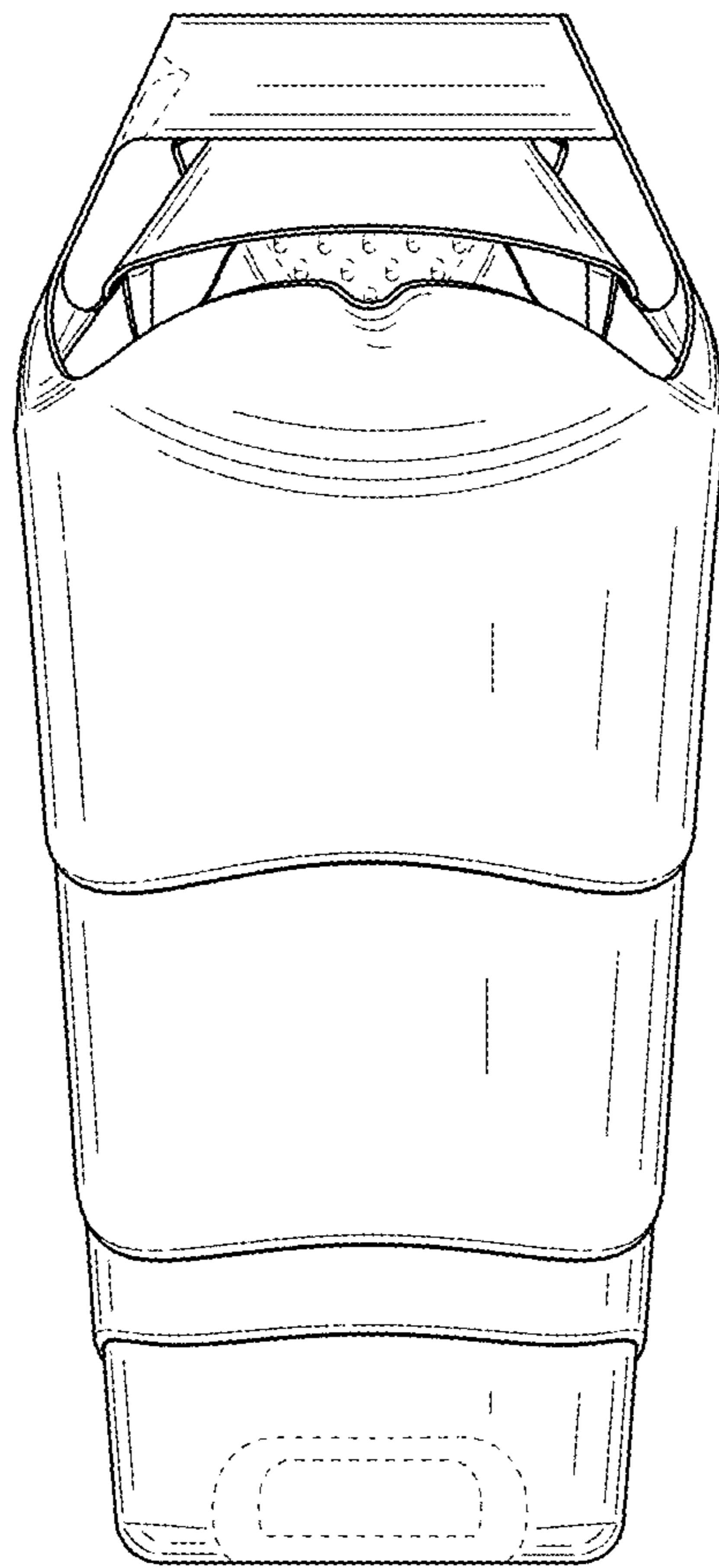
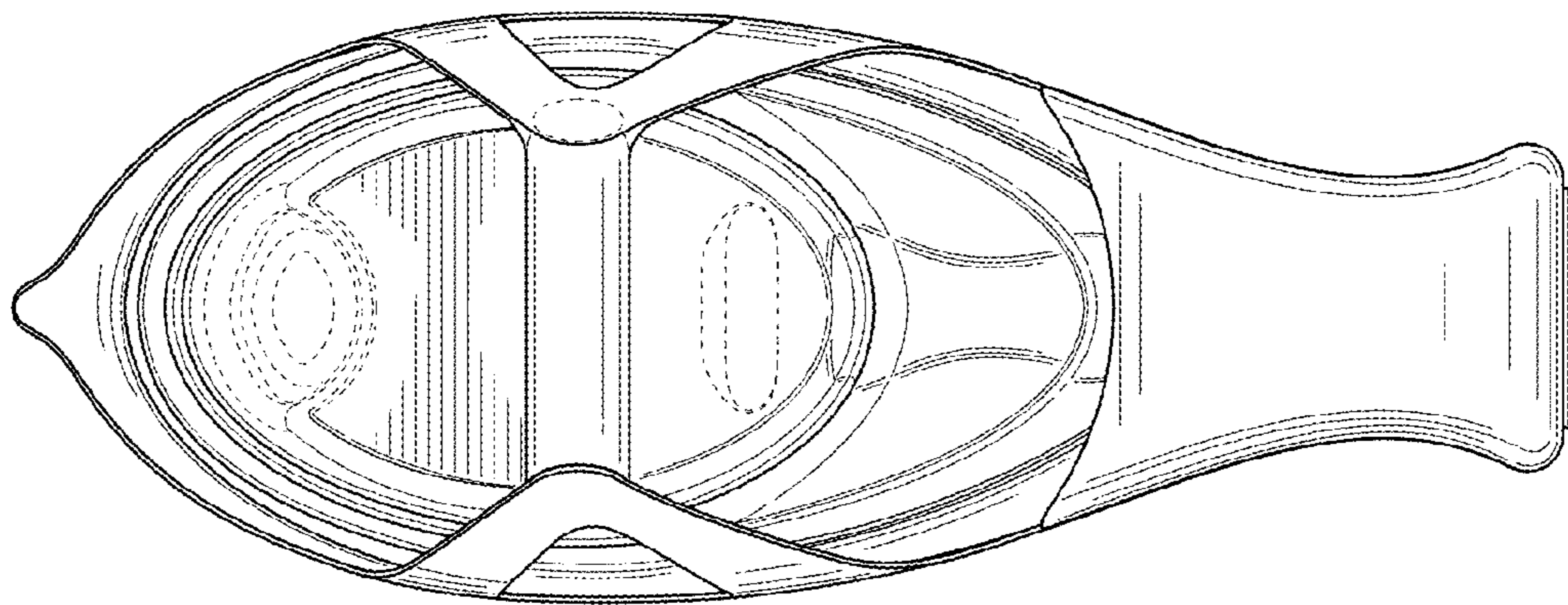


FIG. 12





**FIG. 13**



**FIG. 14**



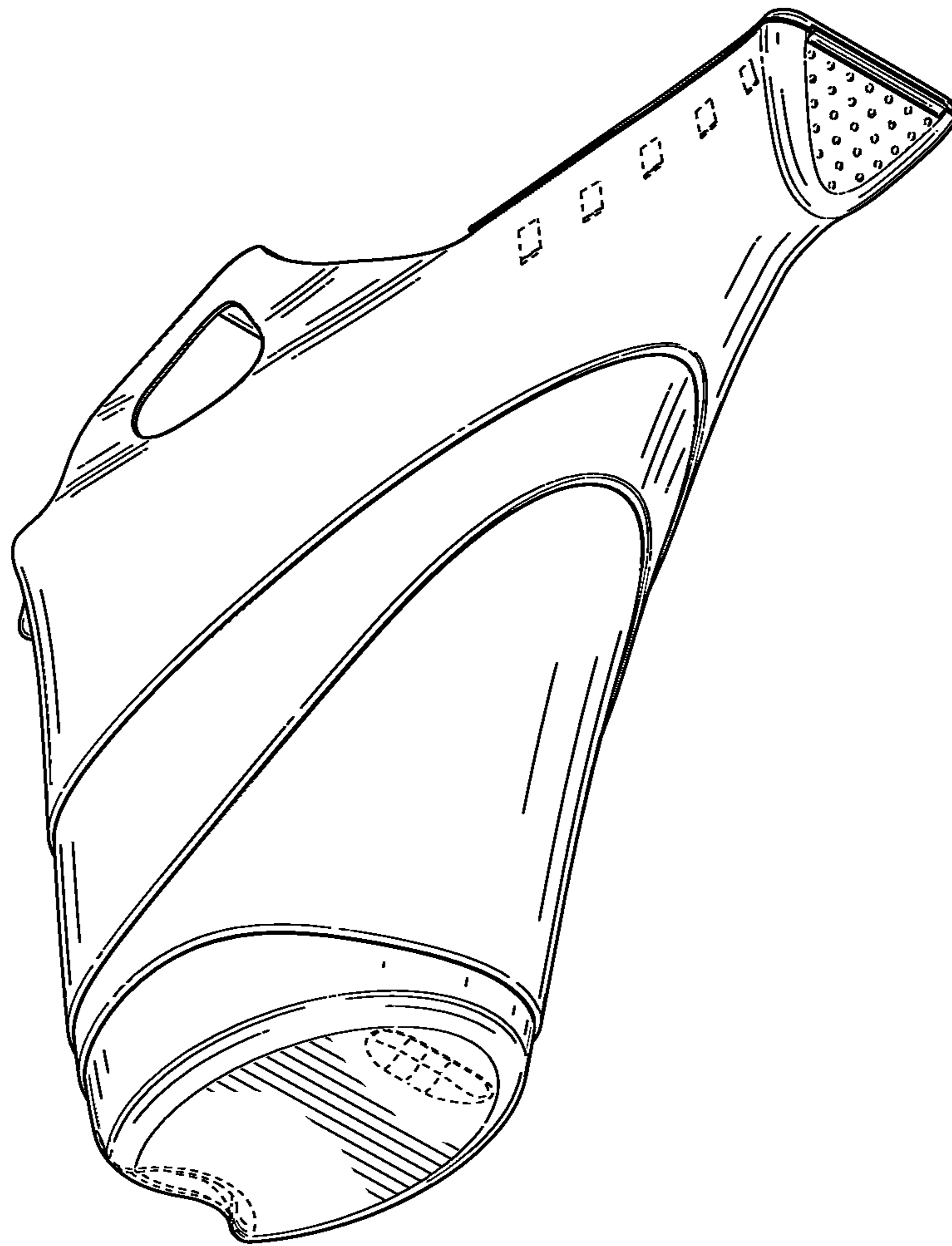


FIG. 16