



US00D700674S

(12) **United States Design Patent**
Prieto

(10) **Patent No.:** **US D700,674 S**
(45) **Date of Patent:** **** Mar. 4, 2014**

- (54) **HINGED RAIL MOUNT**
- (75) Inventor: **Jaime Prieto**, Fort Worth, TX (US)
- (73) Assignee: **Alliance Sports Group, L.P.**, Grand Prairie, TX (US)
- (**) Term: **14 Years**
- (21) Appl. No.: **29/428,258**
- (22) Filed: **Jul. 27, 2012**
- (51) **LOC (10) Cl.** **22-01**
- (52) **U.S. Cl.**
USPC **D22/109**
- (58) **Field of Classification Search**
USPC D22/108-109; 42/111-128; 89/1.61,
89/200-204
See application file for complete search history.

8,453,369	B1 *	6/2013	Kincaid et al.	42/124
2007/0068058	A1 *	3/2007	Remo	42/122
2009/0064558	A1 *	3/2009	Woroner	42/90
2010/0097789	A1	4/2010	Sharrah et al.	
2010/0176741	A1	7/2010	Sharrah et al.	
2012/0085014	A1	4/2012	Riley et al.	
2012/0180368	A1	7/2012	Haley et al.	
2012/0180370	A1	7/2012	McKinley	

* cited by examiner

Primary Examiner — Michael A Pratt

(74) *Attorney, Agent, or Firm* — Thorpe North & Western LLP

(57) **CLAIM**

The ornamental design for the hinged rail mount, as shown and described.

DESCRIPTION

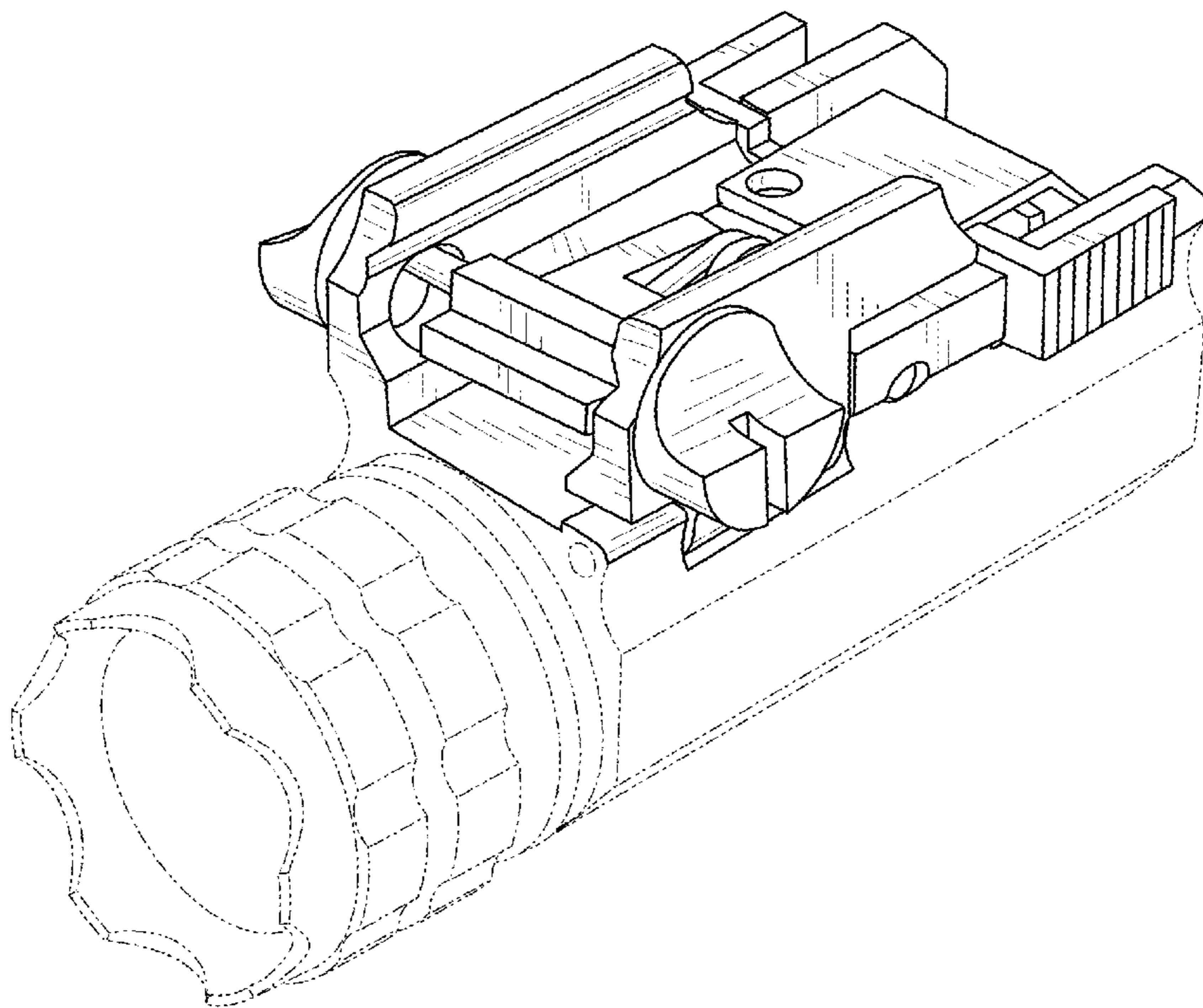
FIG. 1 is perspective view of the hinged rail mount in accordance with my invention;
 FIG. 2 is an additional perspective view of the hinged rail mount in accordance with my invention
 FIG. 3 is a front view of FIG. 1;
 FIG. 4 is a front view of FIG. 2;
 FIG. 5 is a rear view of the hinged rail mount;
 FIG. 6 is a side view thereof;
 FIG. 7 is an additional side view thereof;
 FIG. 8 is a top view thereof; and,
 FIG. 9 is a bottom view thereof.
 The broken lines shown in FIGS. 1-9 are for illustrative purposes only and form no part of the claimed design.

1 Claim, 5 Drawing Sheets

(56) **References Cited**

U.S. PATENT DOCUMENTS

4,348,716	A	9/1982	Storm et al.	
4,524,534	A	6/1985	Kaye et al.	
4,697,226	A	9/1987	Verdin	
4,707,772	A	11/1987	Jimenez et al.	
7,188,978	B2	3/2007	Sharrah et al.	
7,614,760	B2	11/2009	Sharrah et al.	
7,676,981	B2	3/2010	Buckingham et al.	
7,735,255	B1	6/2010	Kincaid et al.	
7,954,971	B1	6/2011	Kincaid et al.	
D659,221	S *	5/2012	Wu et al.	D22/108
8,296,991	B1 *	10/2012	Chung	42/111
D672,839	S *	12/2012	Ding	D22/109
D675,281	S *	1/2013	Speroni	D22/109



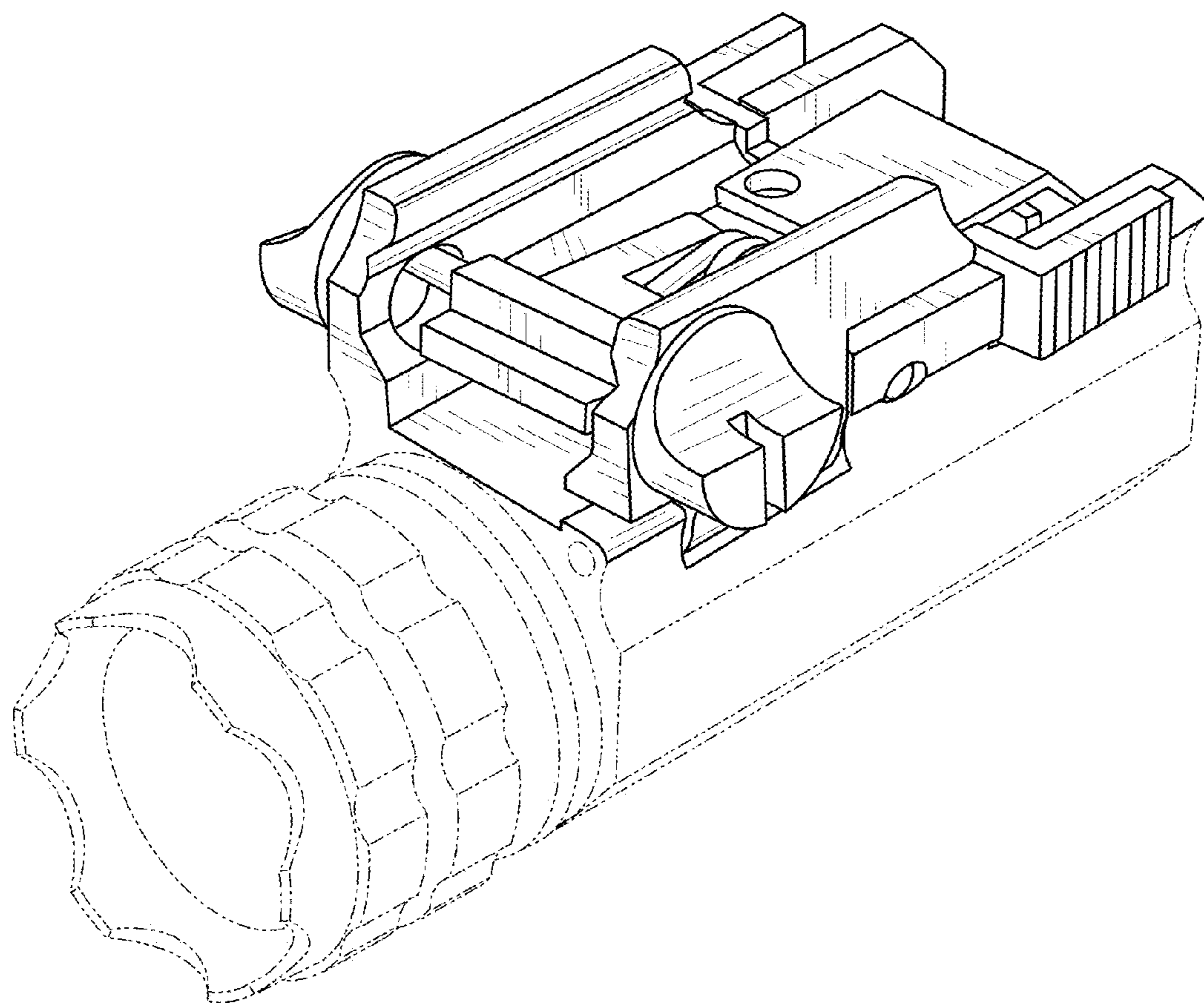


FIG. 1

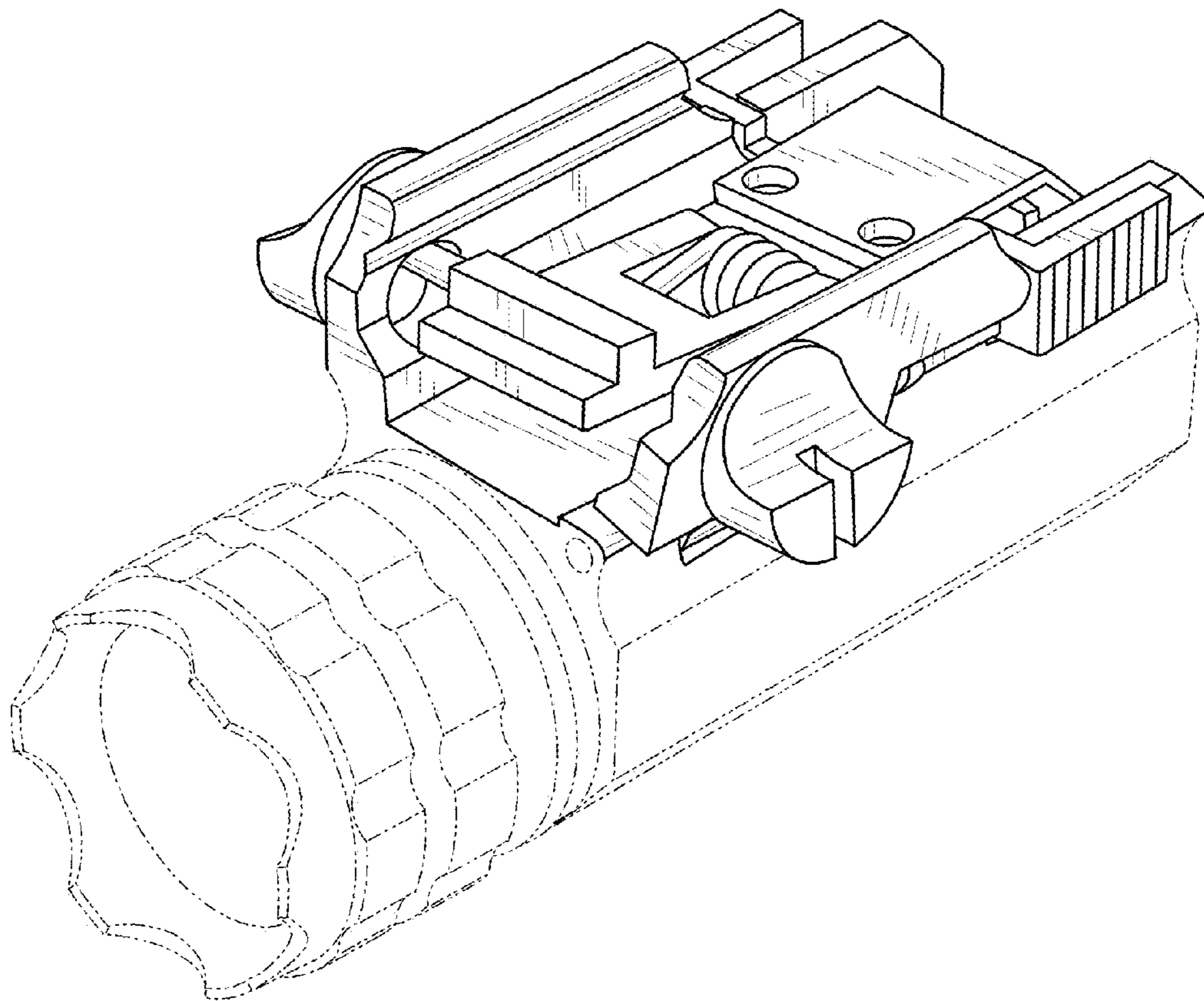


FIG. 2

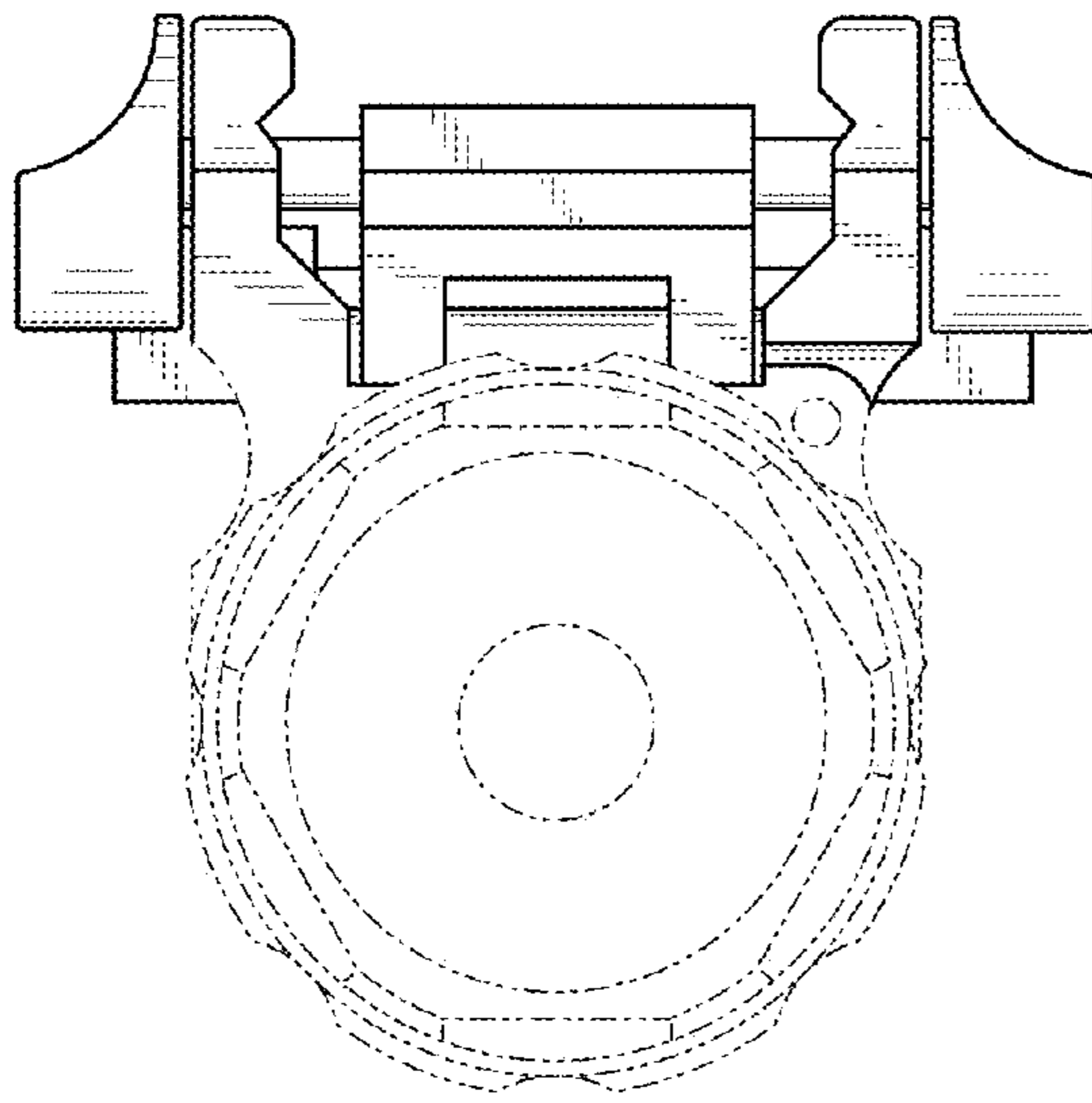


FIG. 3

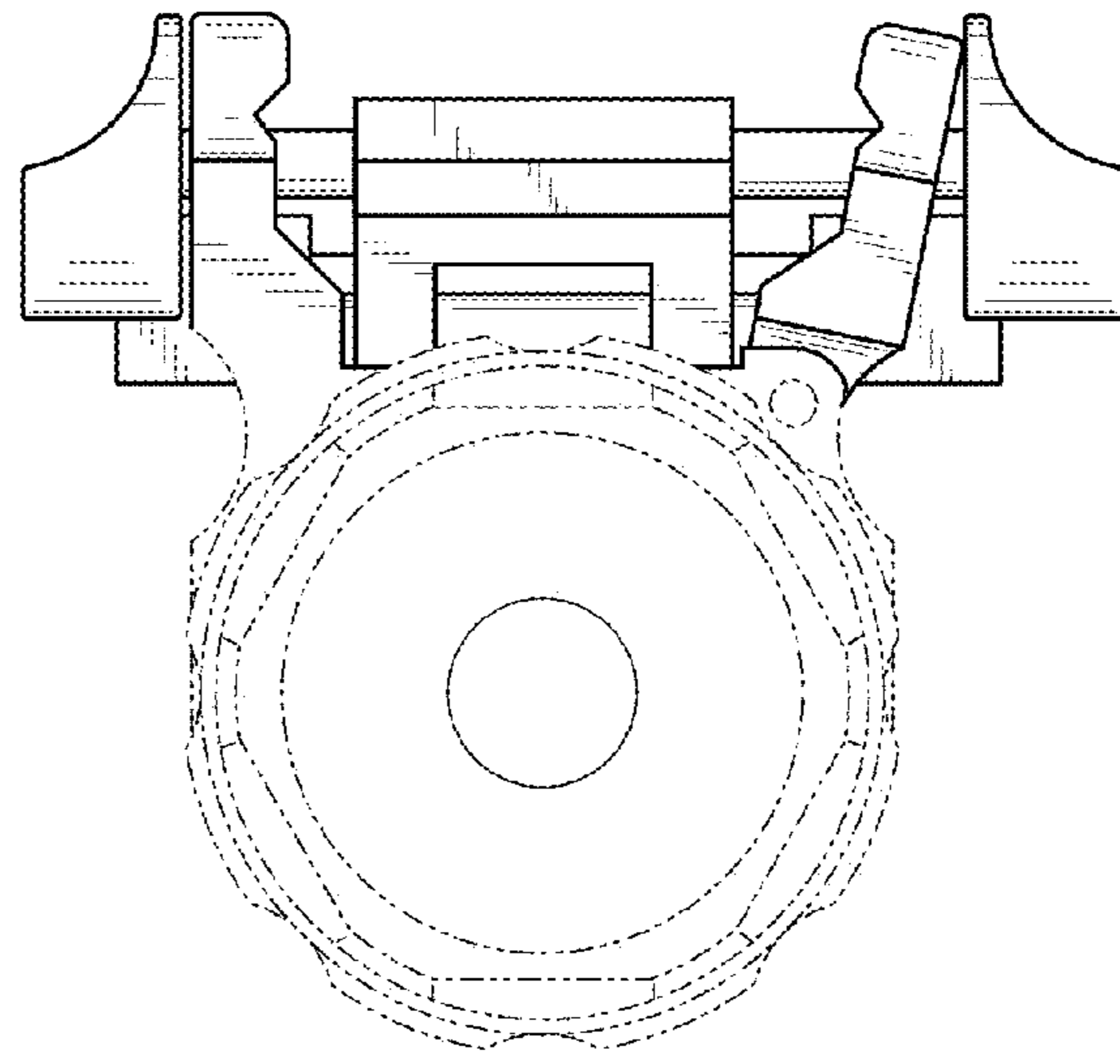


FIG. 4

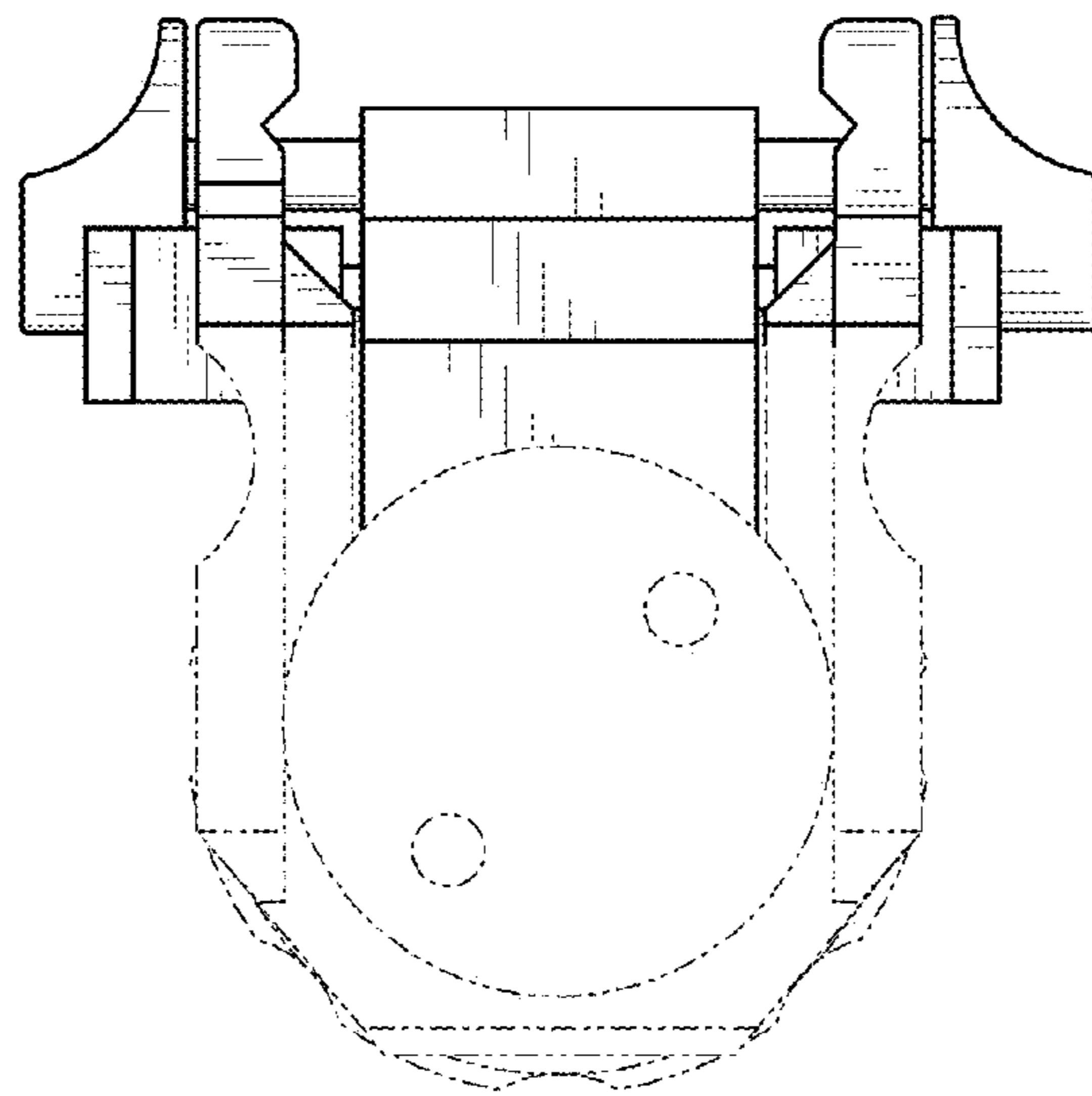


FIG. 5

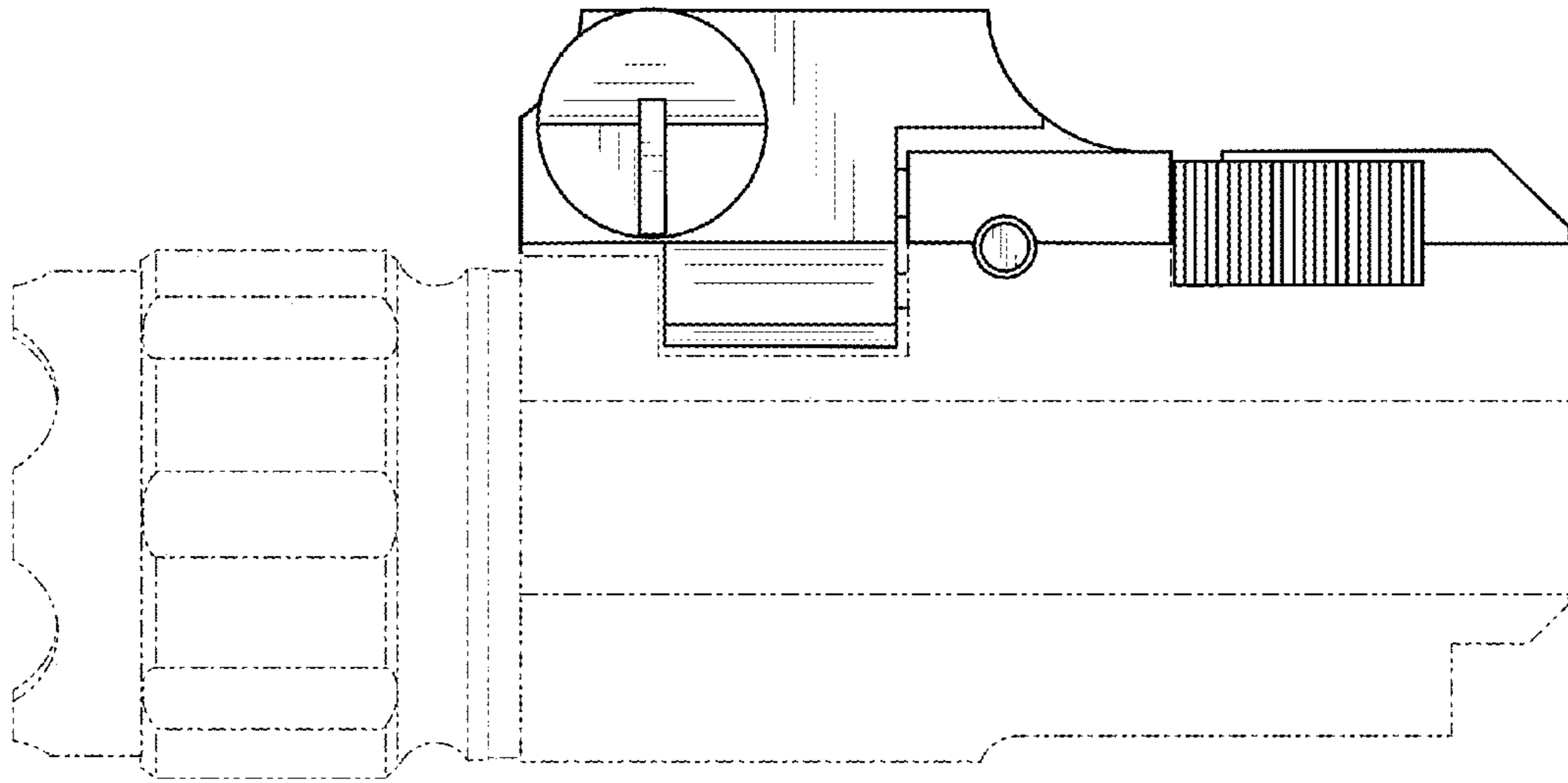


FIG. 6

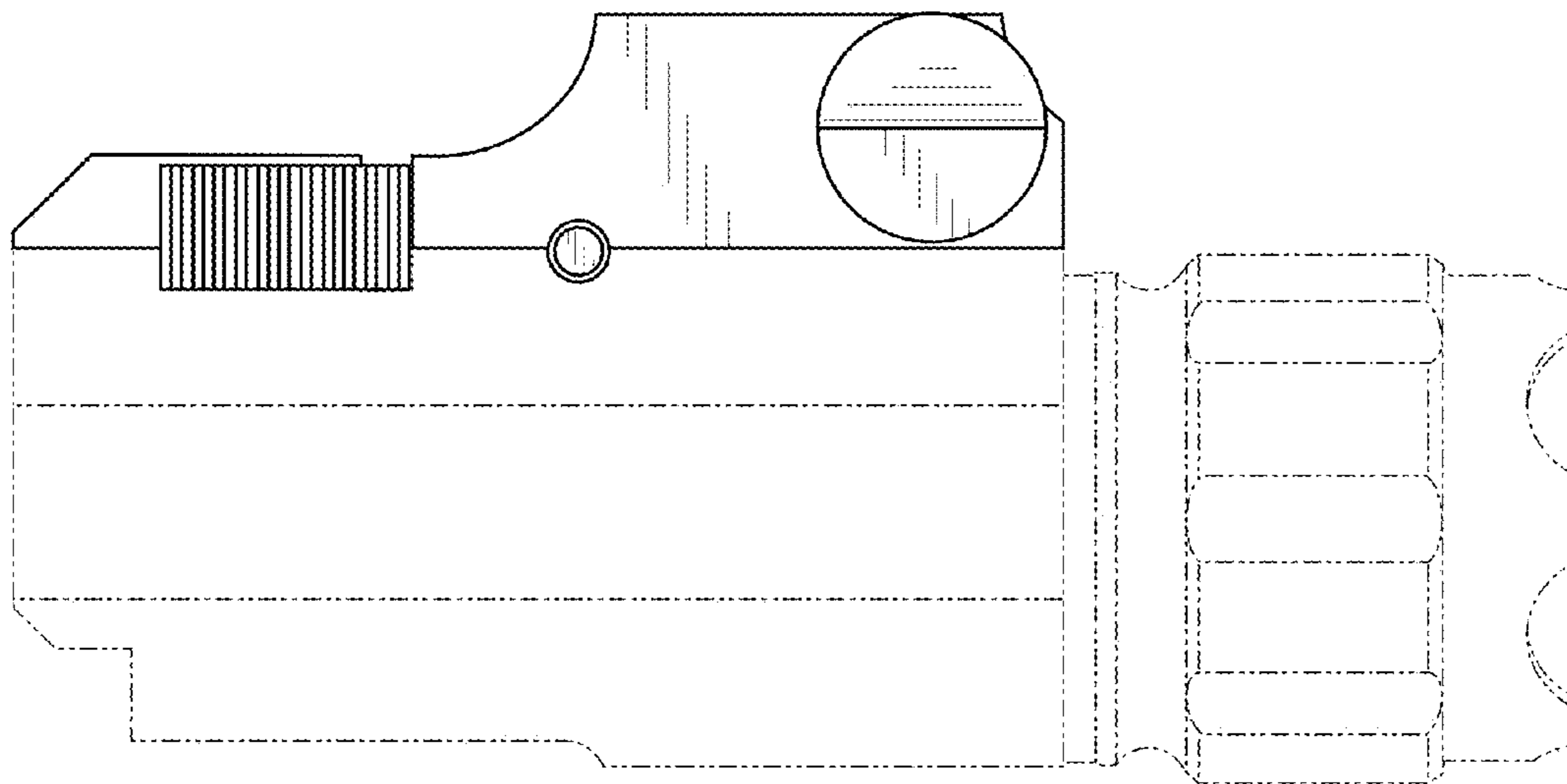


FIG. 7

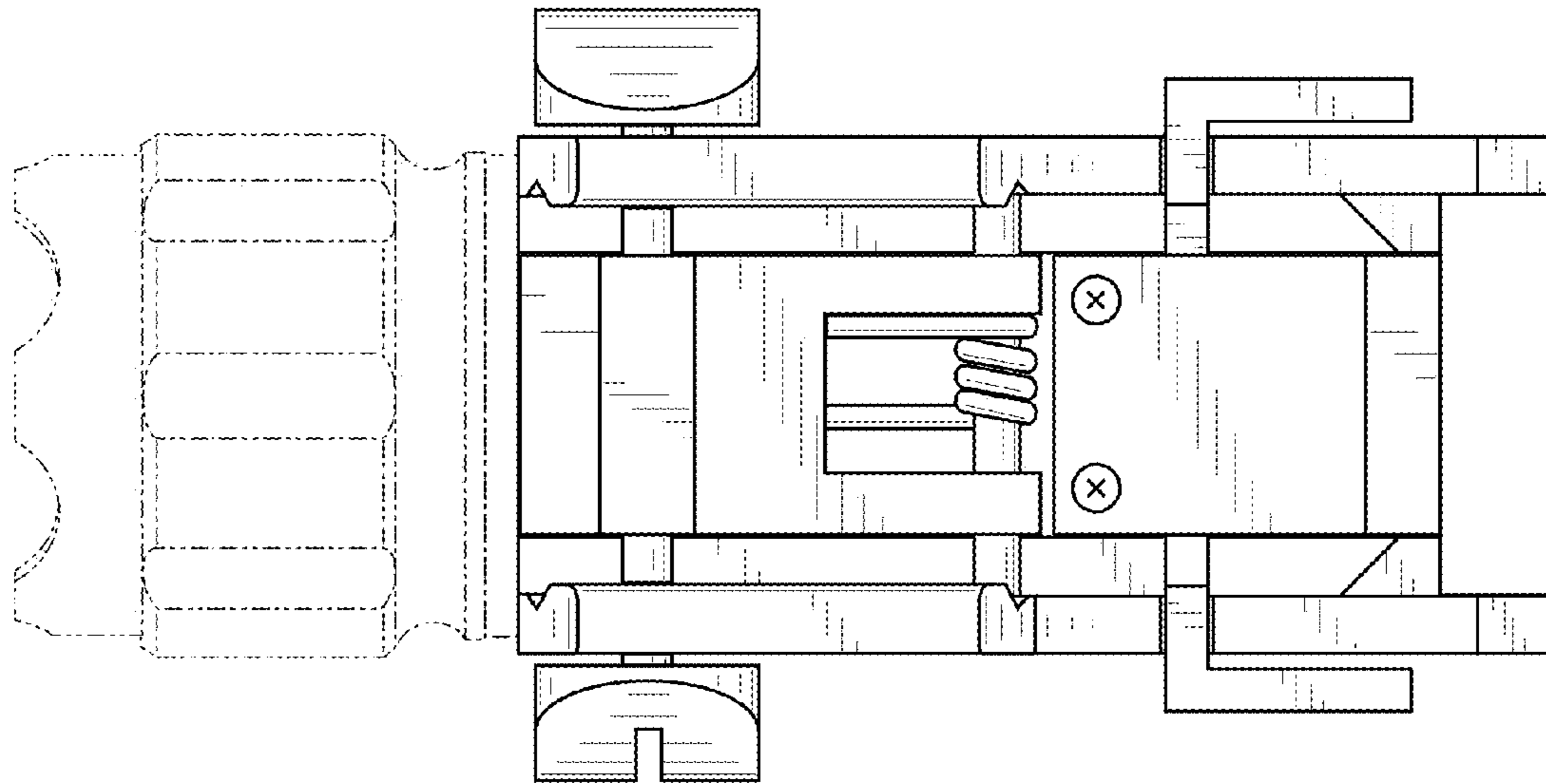


FIG. 8

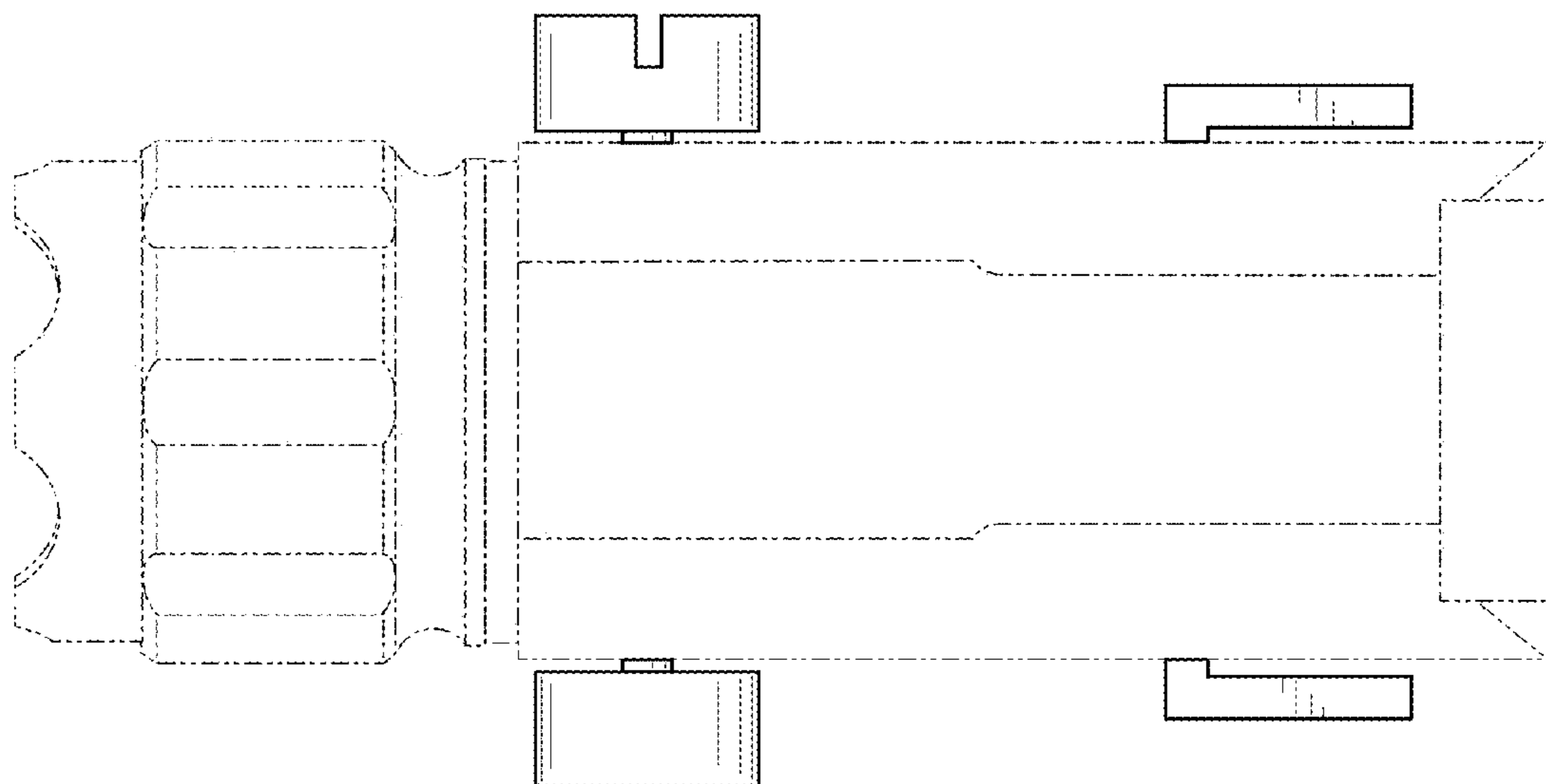


FIG. 9