



US00D700672S

(12) **United States Design Patent**  
**Riley**

(10) **Patent No.:** **US D700,672 S**  
(45) **Date of Patent:** **\*\* Mar. 4, 2014**

(54) **COMBINED GOLF CLUB BRUSH AND BALL MARKER**

D489,111 S \* 4/2004 Perez et al. .... D21/795  
D506,069 S \* 6/2005 Woods ..... D4/127  
7,654,920 B2 \* 2/2010 Perry ..... 473/408

(75) Inventor: **Stephen Riley**, Bangor (GB)

FOREIGN PATENT DOCUMENTS

(73) Assignee: **P.R. Golf Distribution Limited**,  
Newtownards, County Down

GB 2247179 A \* 2/1992 ..... A63B 57/00

(\*\*) Term: **14 Years**

\* cited by examiner

(21) Appl. No.: **29/365,210**

*Primary Examiner* — Melanie H Tung

*Assistant Examiner* — Lavone D Tabor

(22) Filed: **Jul. 6, 2010**

(74) *Attorney, Agent, or Firm* — Gardner, Linn, Burkhardt & Flory, LLP

(30) **Foreign Application Priority Data**

(57) **CLAIM**

The ornamental design for a combined golf club brush and ball marker, as shown and described.

Jan. 6, 2010 (EM) ..... 001654427

**DESCRIPTION**

(51) **LOC (10) Cl.** ..... **21-02**

(52) **U.S. Cl.**

USPC ..... **D21/795**; D4/116; D4/121; D4/129

(58) **Field of Classification Search**

USPC ..... D4/116, 121, 129, 135; D21/793, 795;  
15/105, 159.1, 160, 191.1–193;  
473/285, 286, 406, 408

See application file for complete search history.

FIG. 1 is a top, front, side perspective view of a combined golf club brush and ball marker showing my new design;  
FIG. 2 is an exploded top, front, side perspective view thereof;  
FIG. 3 is a top plan view thereof, with the ball maker omitted for clarity of illustration only;  
FIG. 4 is a left side, bottom perspective view of the design as shown in FIG. 3;  
FIG. 5 is a bottom plan view of the design as shown in FIG. 3;  
FIG. 6 is a bottom, front perspective view of the design as shown in FIG. 3; and,  
FIG. 7 is a bottom, rear perspective view of the design as shown in FIG. 3.

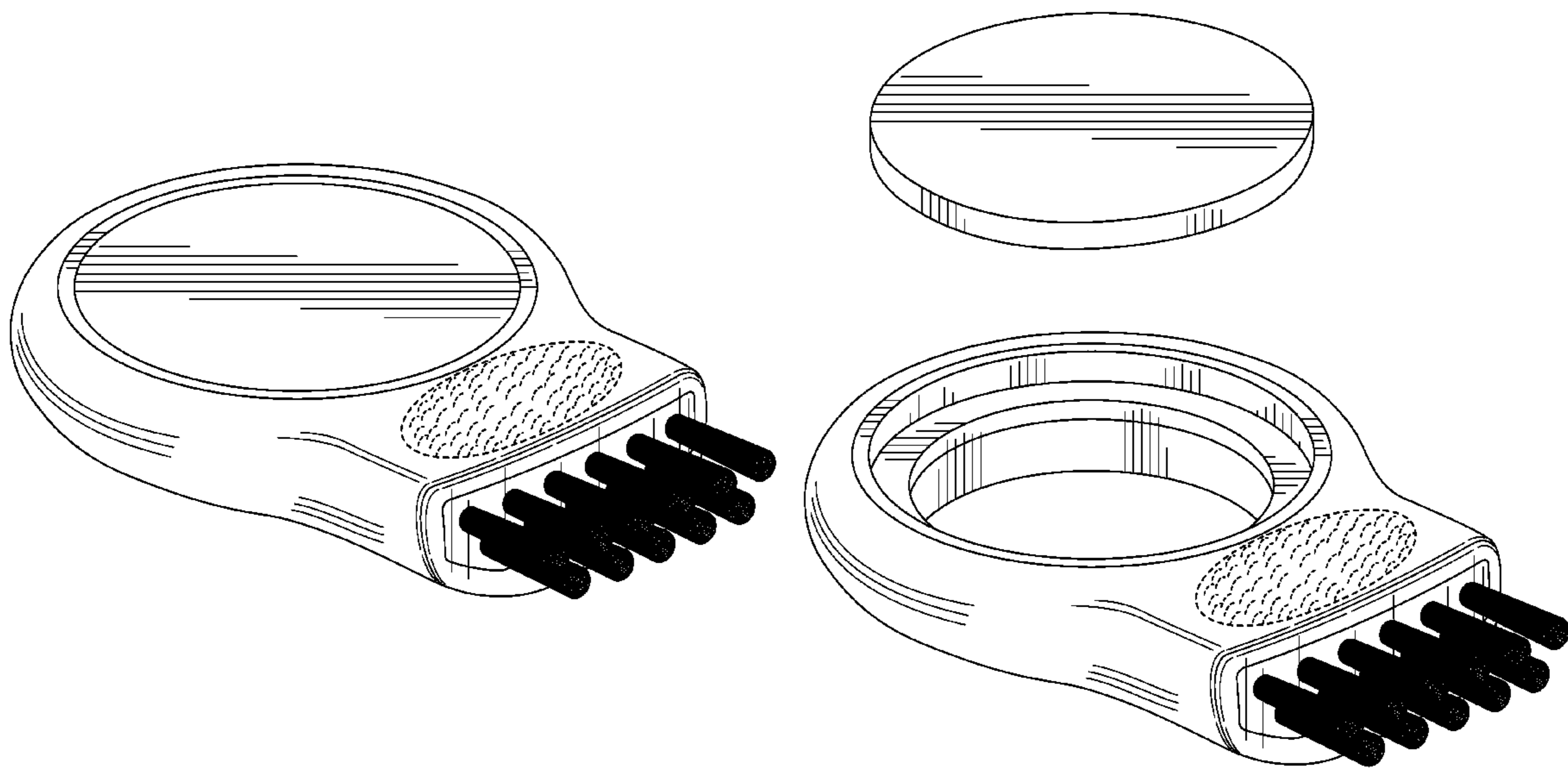
The entire oval area shown in broken lines in FIGS. 1-3 illustrates a portion of the combined golf club brush and ball marker that forms no part of the claimed design.

(56) **References Cited**

U.S. PATENT DOCUMENTS

D245,462 S \* 8/1977 Hauf et al. .... D4/129  
D251,159 S \* 2/1979 Tolliver ..... D4/114  
5,022,650 A \* 6/1991 Madock ..... 473/408  
D347,255 S \* 5/1994 Kerr et al. .... D21/795  
D347,872 S \* 6/1994 Lyman ..... D21/795  
6,050,905 A \* 4/2000 Tate ..... 473/408

**1 Claim, 7 Drawing Sheets**



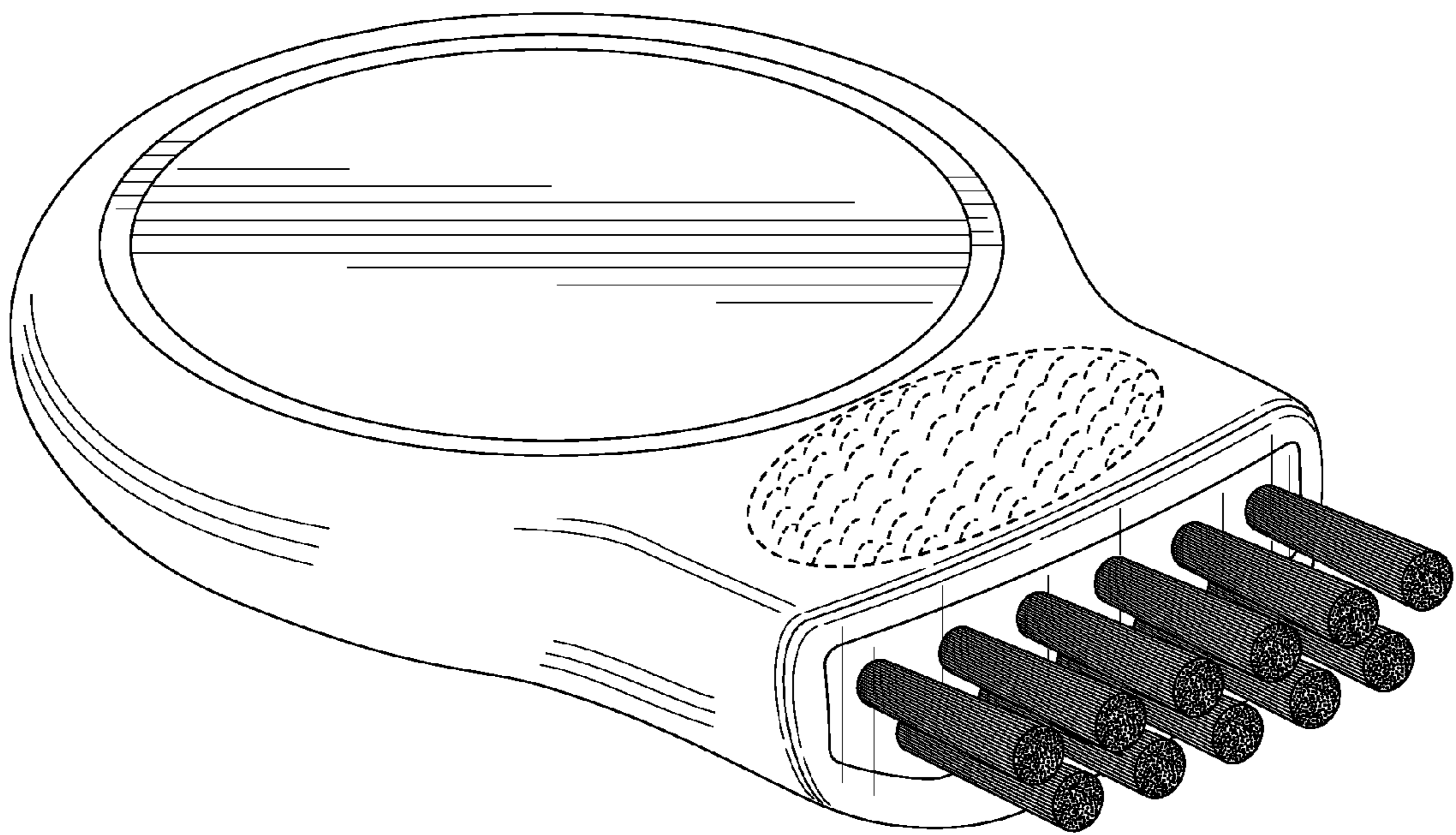


FIG. 1

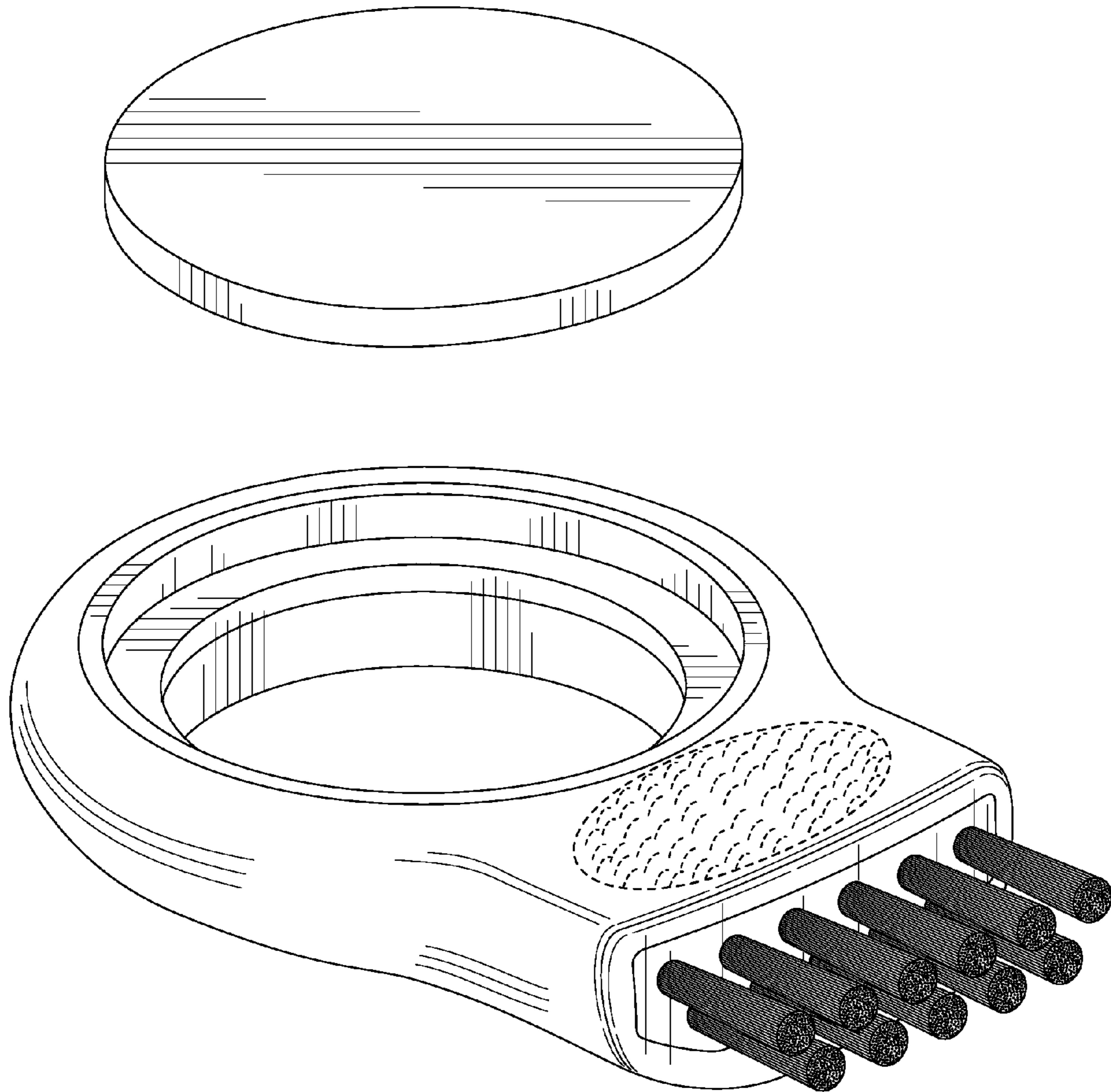


FIG. 2

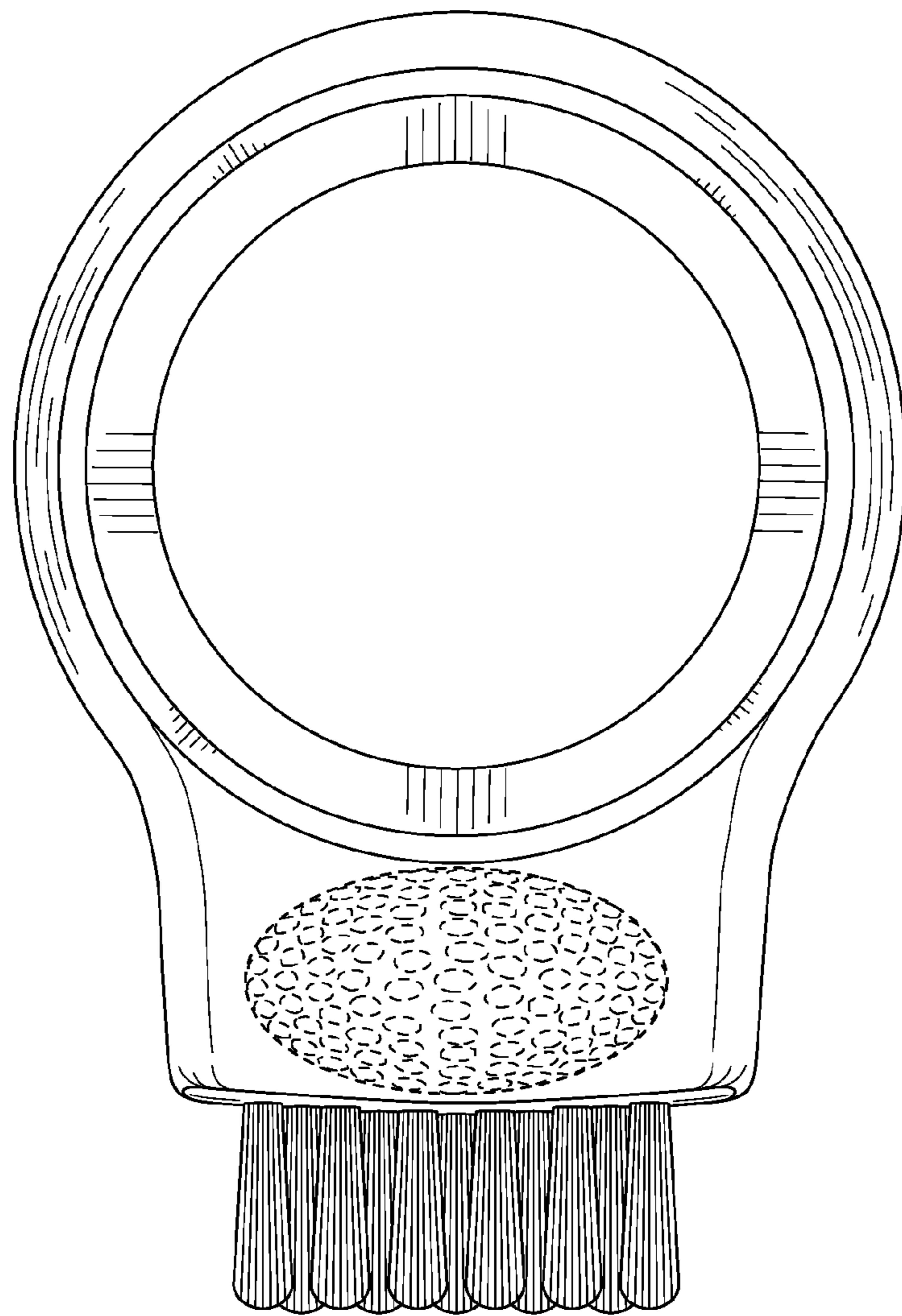


FIG. 3

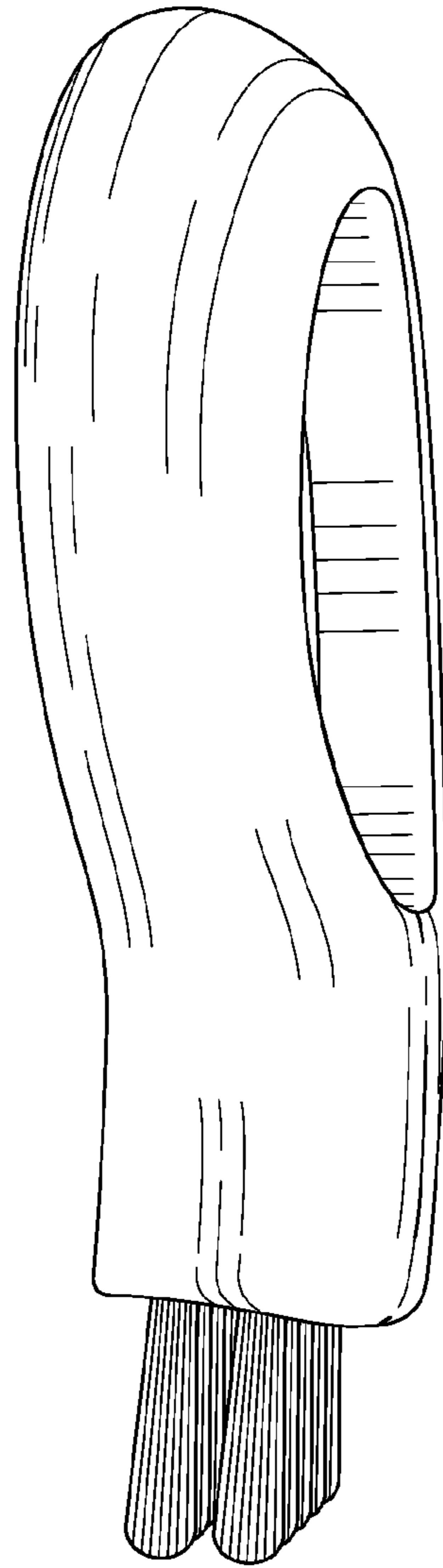


FIG. 4

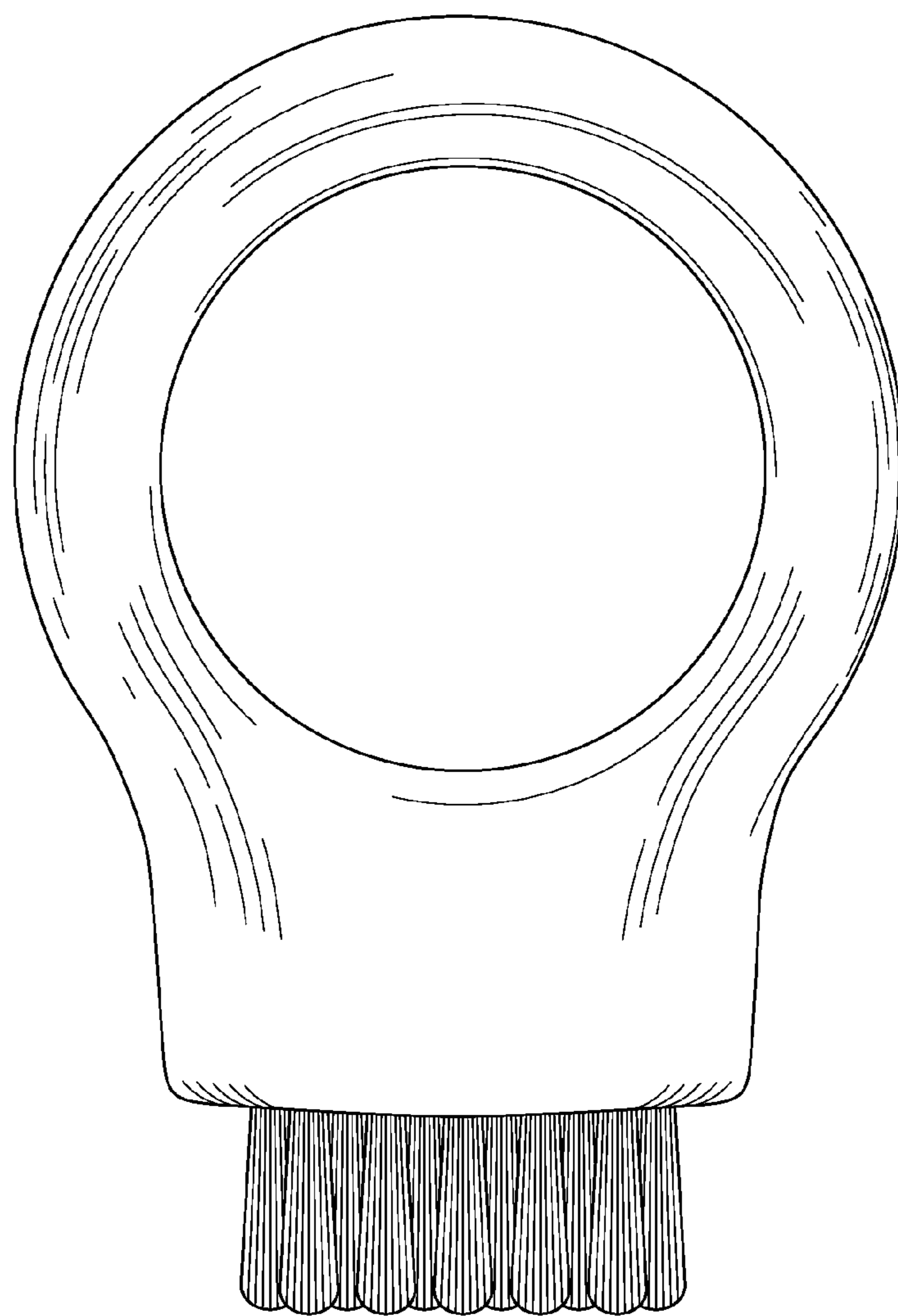


FIG. 5

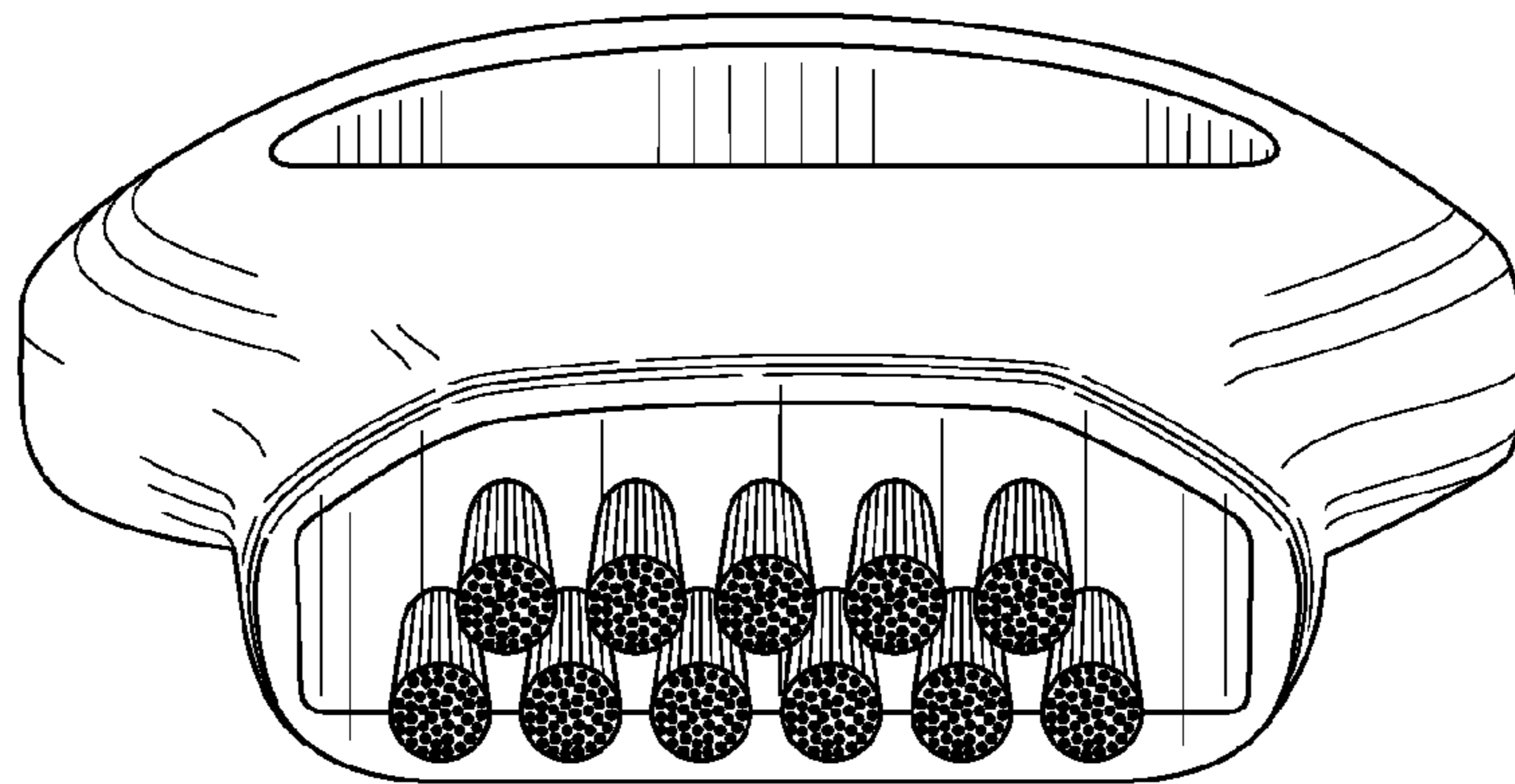


FIG. 6

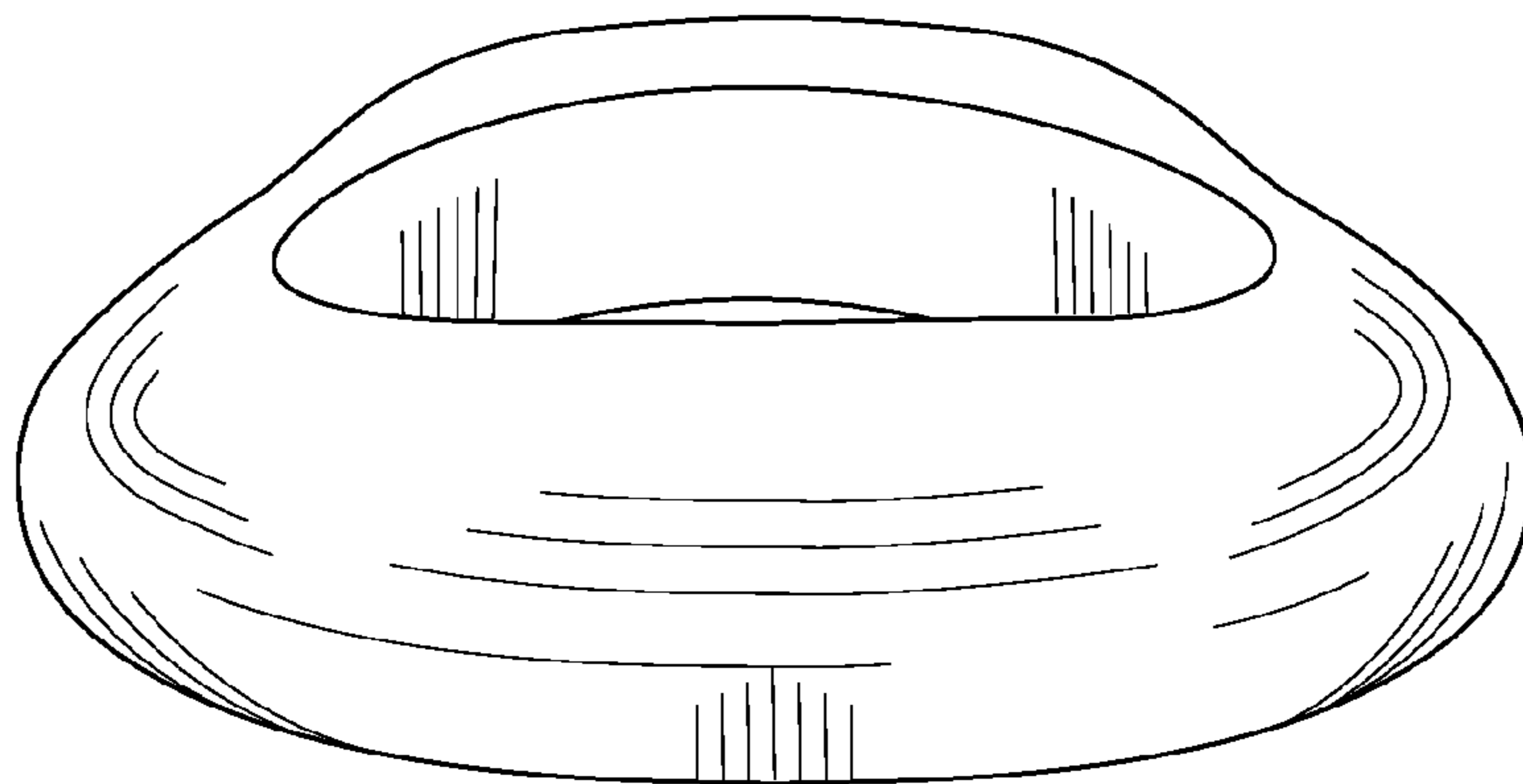


FIG. 7