



US00D700671S

(12) **United States Design Patent**
Miller

(10) **Patent No.:** **US D700,671 S**
(45) **Date of Patent:** **** Mar. 4, 2014**

(54) **CURVILINEAR TRIANGLE SHAPED GRIP
FOR SPORTING EQUIPMENT**

D399,901 S * 10/1998 Beyer D21/756
6,786,835 B1 * 9/2004 Carter 473/300
D516,653 S * 3/2006 Gazeley D21/756

(76) Inventor: **Bill Miller**, Fife (GB)

* cited by examiner

(**) Term: **14 Years**

Primary Examiner — Mitchell Siegel

(21) Appl. No.: **29/422,572**

(57) **CLAIM**

I claim the ornamental design for a curvilinear triangle shaped grip for sporting equipment, as shown and described.

(22) Filed: **May 22, 2012**

(51) **LOC (10) Cl.** **21-02**

DESCRIPTION

(52) **U.S. Cl.**
USPC **D21/756**

(58) **Field of Classification Search**
USPC D21/756-758, 722-732; 473/300-303,
473/201-204, 524, 538, 549, 552
See application file for complete search history.

FIG. 1 is a front perspective view of the curvilinear triangle shaped grip of the claimed design;
FIG. 2 is a top side view of the grip of FIG. 1;
FIG. 3 is a side view of the grip of FIG. 1;
FIG. 4 is a perspective view of the grip of FIG. 1, which forms the grip of a racket;
FIG. 5 is a perspective view of the grip of FIG. 1, which forms the grip of a cricket bat; and,
FIG. 6 is a perspective view of the grip of FIG. 1, which forms the grip of an oar.

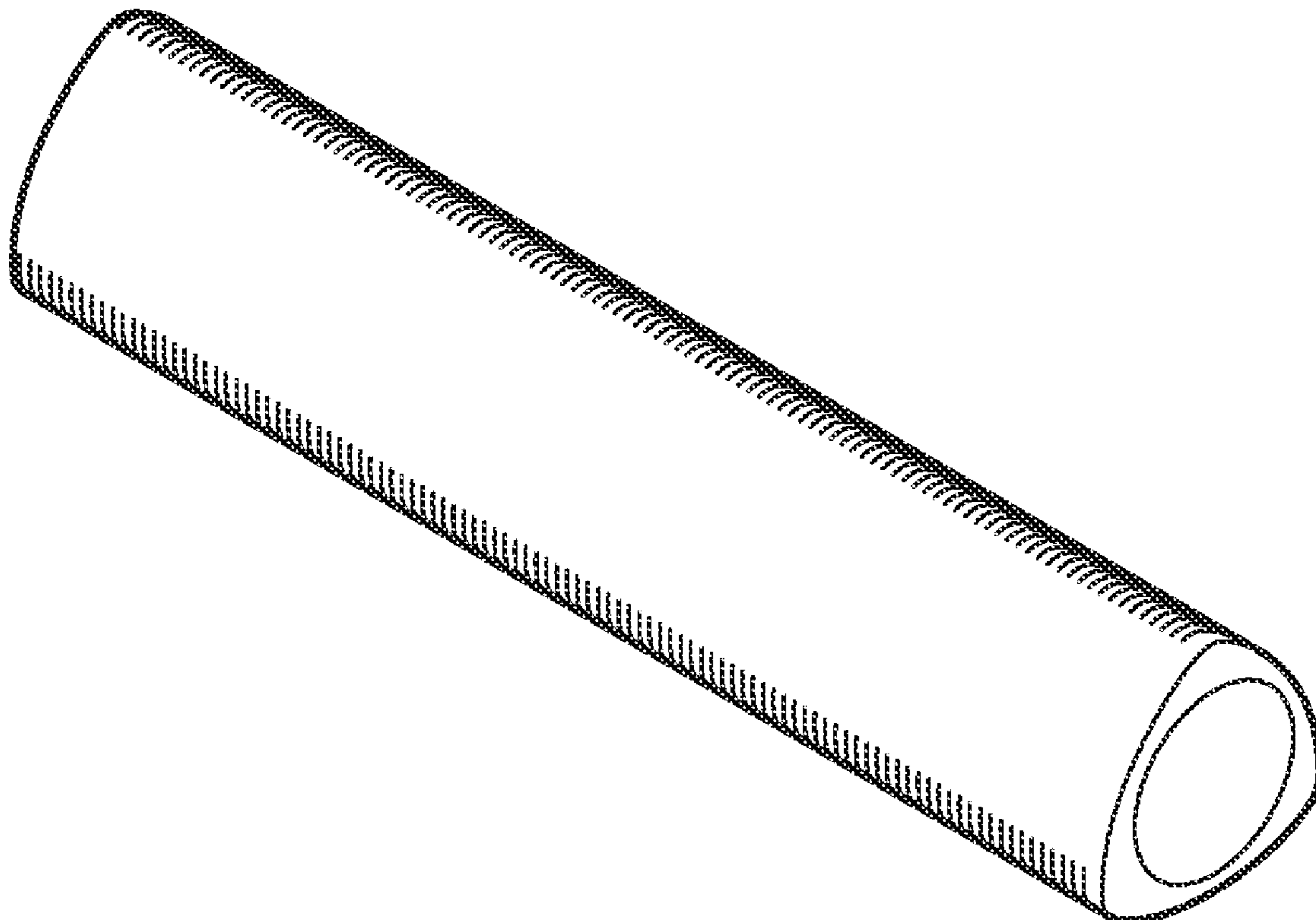
(56) **References Cited**

U.S. PATENT DOCUMENTS

4,215,860 A * 8/1980 Nakamatsu 473/201
D257,784 S * 1/1981 Forys et al. D21/738
4,629,191 A * 12/1986 Mancuso 473/203
D355,444 S * 2/1995 Deluca D21/756
D359,786 S * 6/1995 Cormier D21/756
D377,070 S * 12/1996 Gurrola D21/756

The broken line showing of the racket, cricket bat and oar is included for the purpose of illustrating and forms no part of the claimed design.

1 Claim, 3 Drawing Sheets



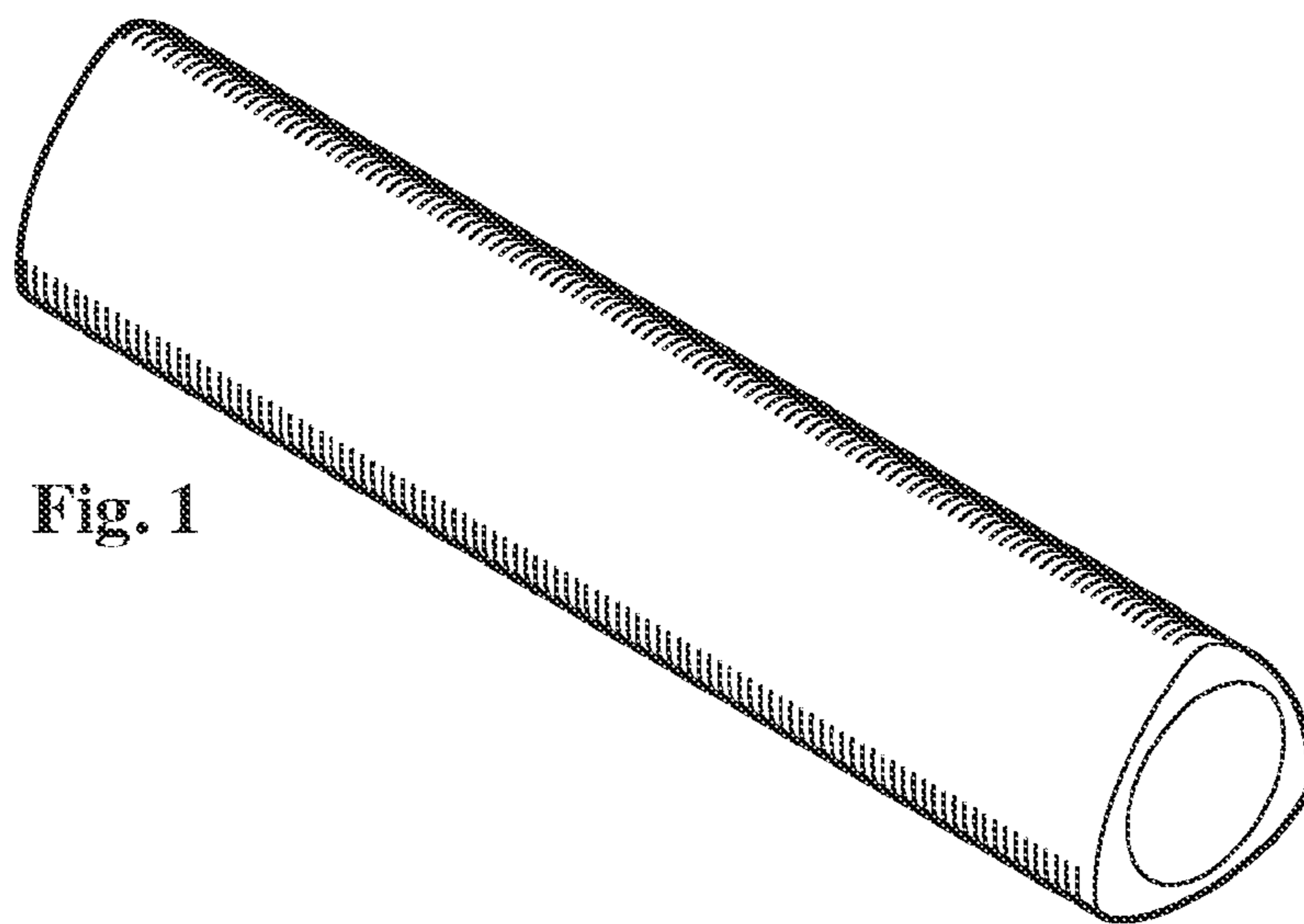


Fig. 1



Fig. 2

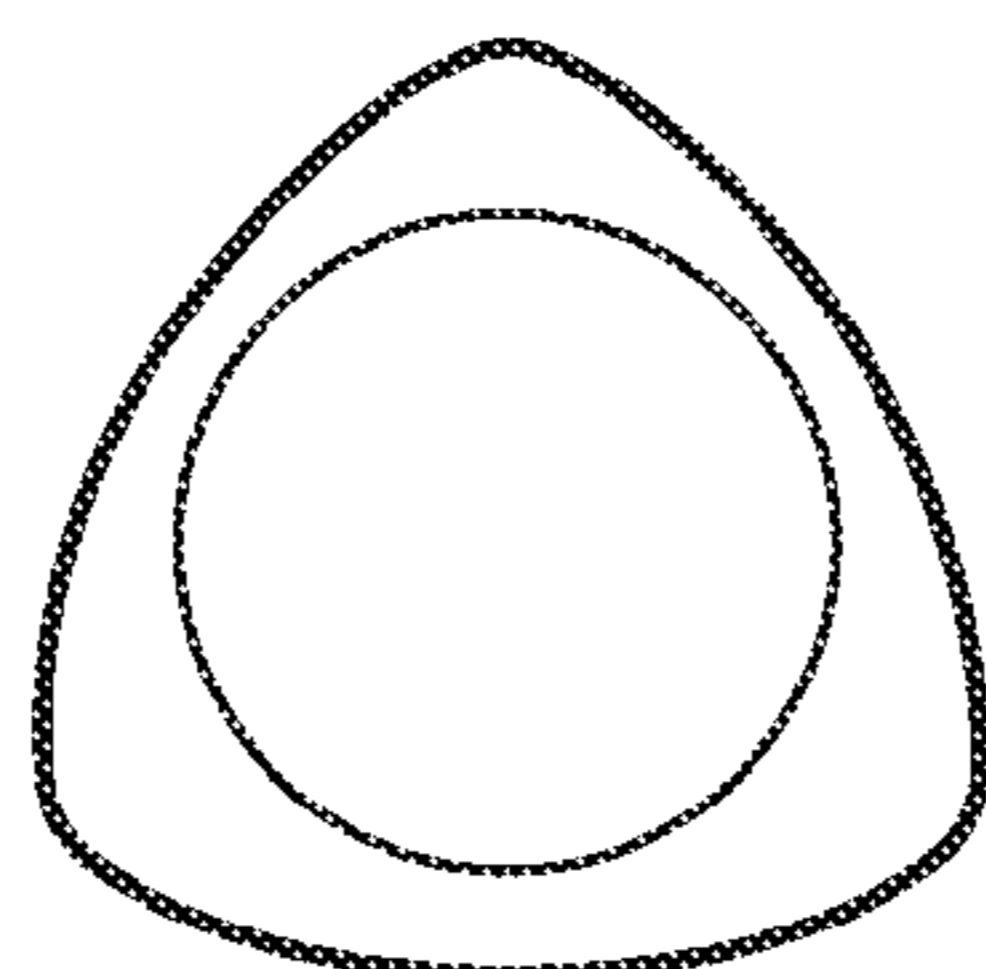


Fig. 3

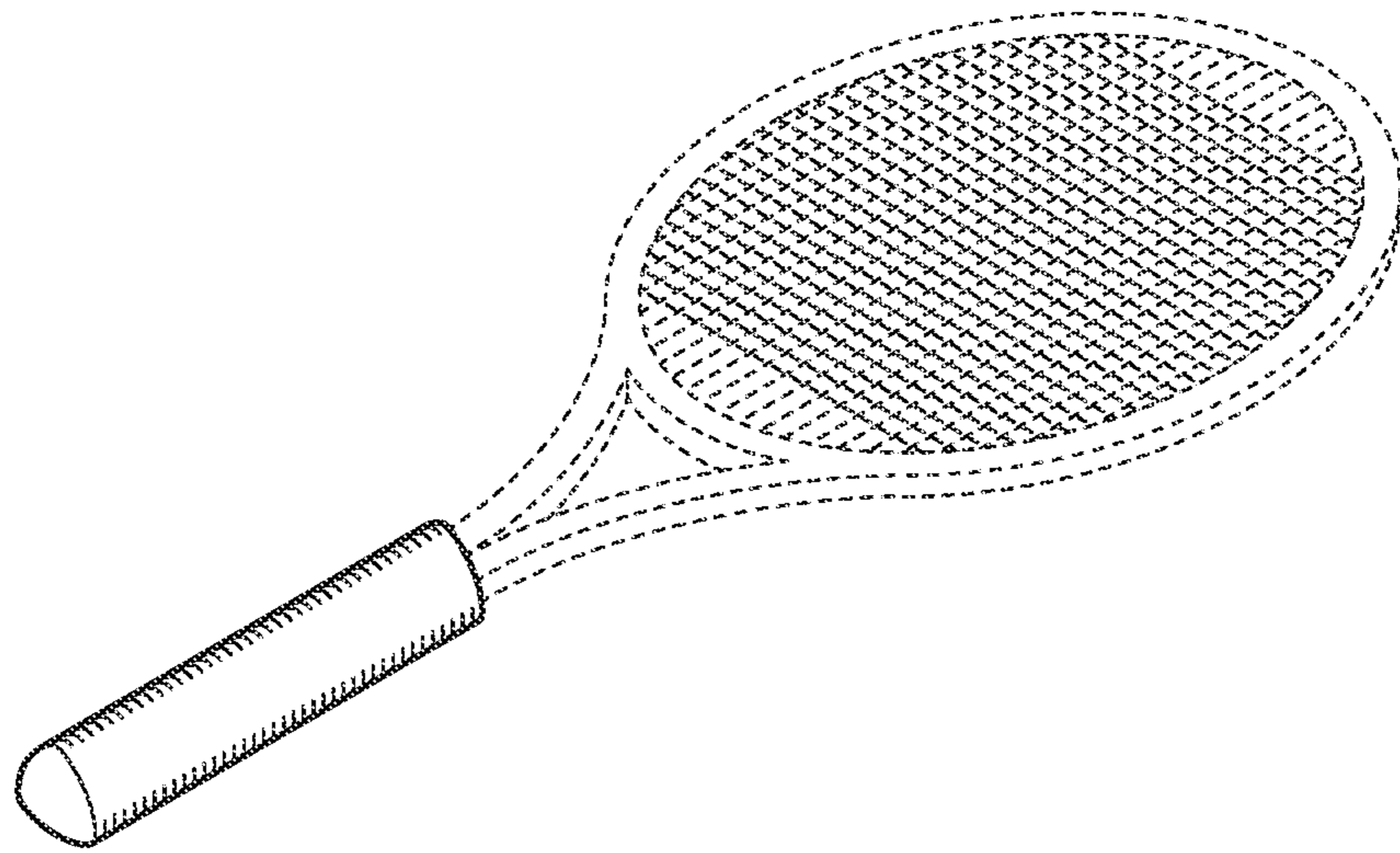


Fig. 4

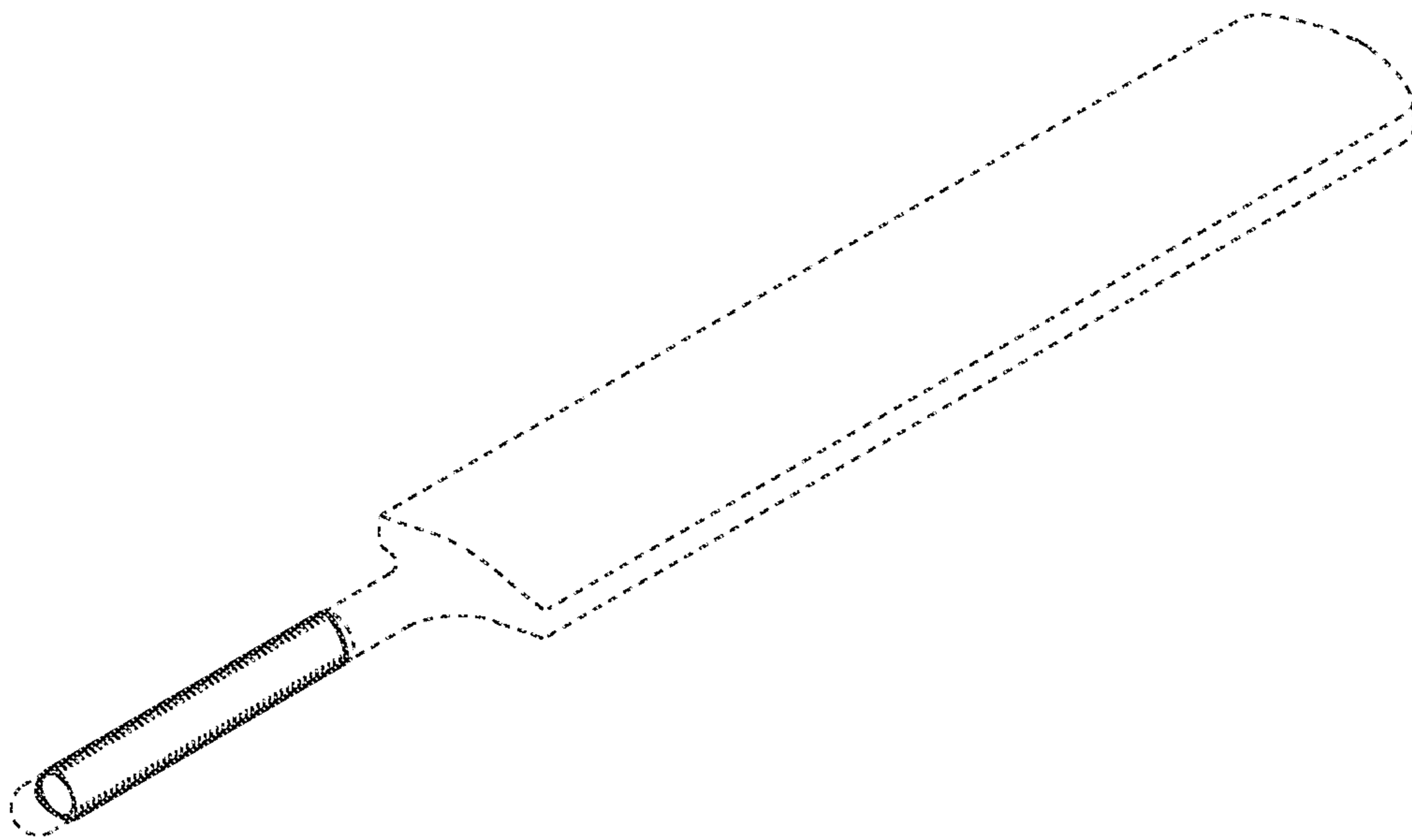


Fig. 5

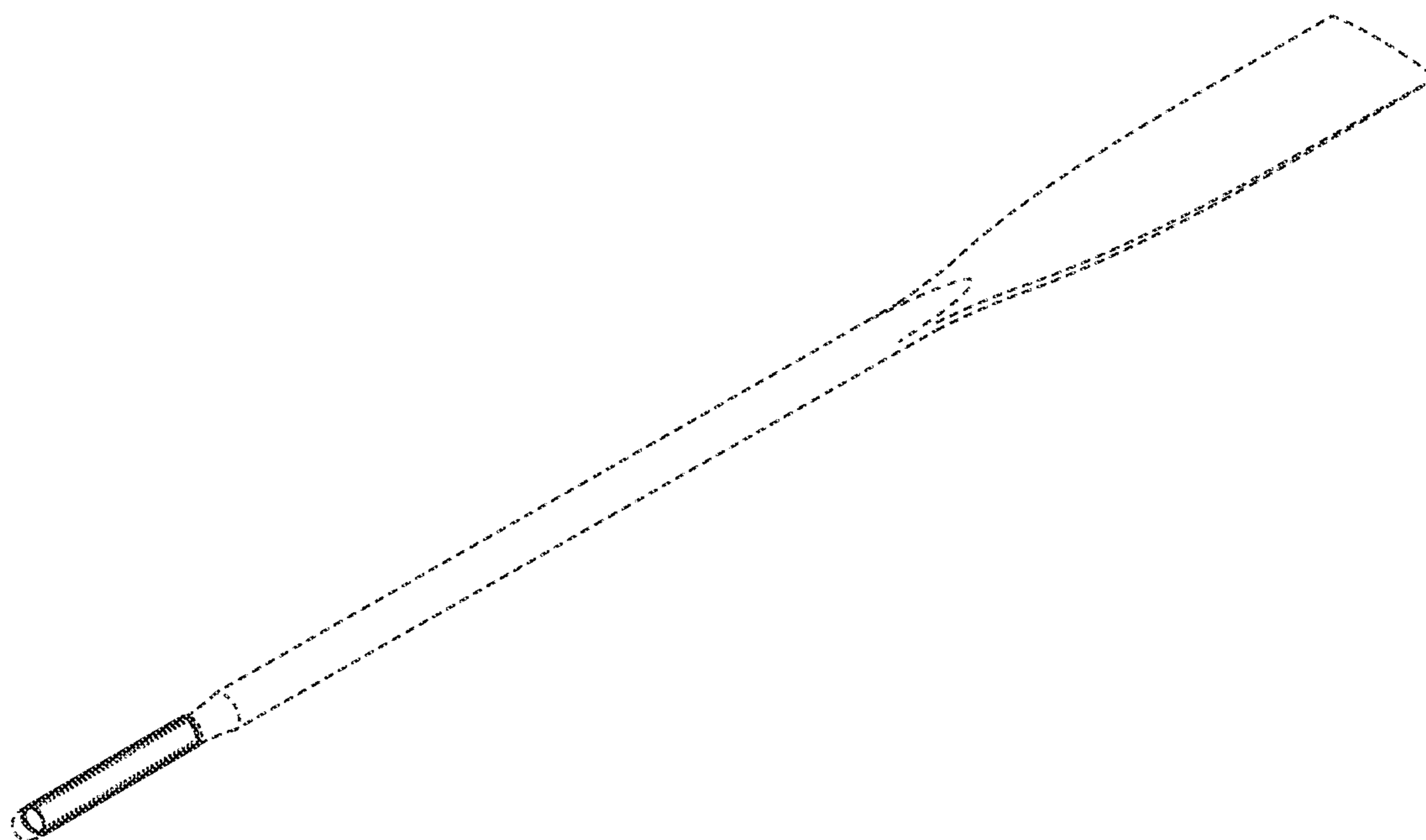


Fig. 6